

SMART SYSTEMS

chemical dispenser for commercial laundry machines



ISO 9001:2000
CERTIFIED
COMPANY



innovation > technology > future

Different demands, one solution



SMARTSYSTEMS combines technological development in peristaltic systems, where SEKO is a world wide leader, with guaranteed reliability for the chemicals dosing in commercial laundry machines, both OPL and industrial ones.

Specific innovations and accurate design of all mechanical parts make **SMARTSYSTEMS** able to manage each dosing formula and to assure high quality performances.

- **SMARTSYSTEMS PROGRAMMABLE** triggered via signals from laundry machines. 20 washing formulas capability each having unique run times and delay times for each pumps.
- **SMARTSYSTEMS-R** with relay mode operation. Pumps run as long as their respective signals are present. Run times, delay times and formulas disabled.

Maximum flexibility A WORLDWIDE UNIQUE INNOVATION

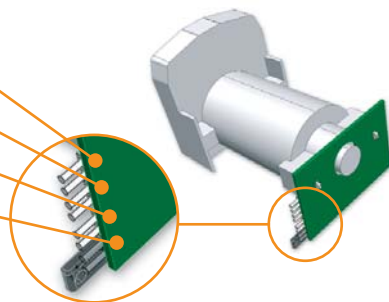
- Available in versions from 2 to 7 pumps, covering a wide flow rate range, **from 18 l/h to 120 l/h (300 ml/min to 2000 ml/min)**
- Long-life pump motors with **fixed flow rate** at 18 l/h (**P Series**) or **selectable flow rate** at 30, 60, 90 or 120 l/h (**H Series**) via jumper

120 l/h (2000 ml/min)

90 l/h (1500 ml/min)

60 l/h (1000 ml/min)

30 l/h (500 ml/min)



- Able to dose up to **3 chemicals simultaneously**
- Squeeze tubing: **Santoprene** and **Sekobril**. Always equipped with inlet-outlet fittings for fast and safe connections (*different tubing types are available for specific chemicals*)

Plastic enclosure

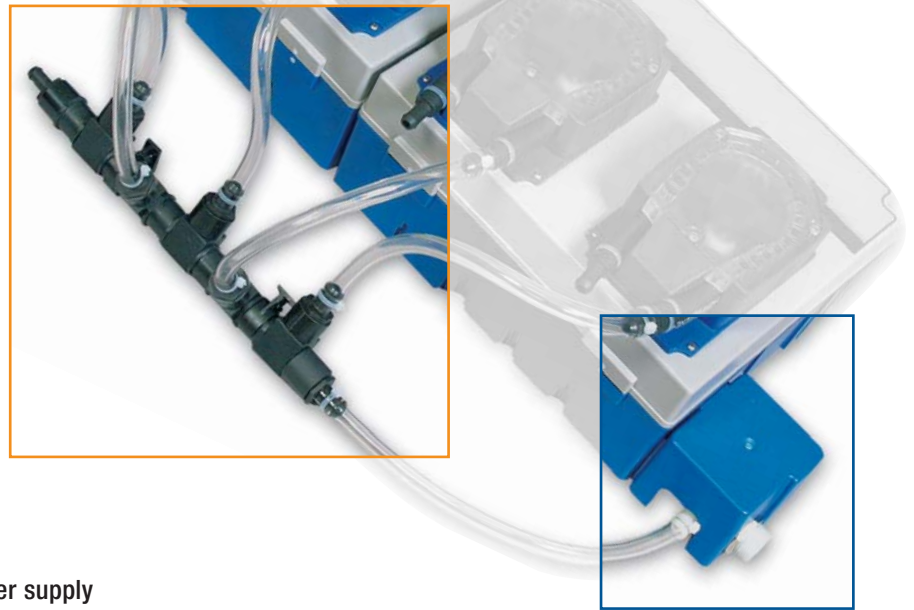
- **7 pumps** connection electrical circuit
- Front cover opens to **85°** allowing easier electrical connections
- **IP 65 protection degree** and **class 2 electrical insulation** (no ground connection required)
- Easy maintenance, no special tools required
- Easy wall mounting and removing thanks to the built-in mounting brackets
- Equipped with tamper resistant devices



Flush kit

Flush manifold

- Installs easily to the underside of the cabinet. Can also be wall-mounted
- Injection fittings equipped with built-in check valves. Position is adjustable for ease of tubing installation
- Pressure switch available as an option
- Flow sensor (on demand)



Solenoid Valve

- Plastic covering and low tension power supply
- Non-return valve between solenoid valve and chemical injection area
- Water inlet tubing (F3/4 - 20 bar - 60°C) and three-way faucet with water pressure regulation



Control unit

(only for PROGRAMMABLE SMARTSYSTEMS)

- Easy to install on board of laundry machine
- Accepts programs transferring by **memory card**
- Washing diagnostic data visualization
- Manual or automatic programs activation available
- Equipped with tamper resistant devices

Suction devices and Levels control

- Fast and safe connection by equipped foot filter and tubing fittings



- Levels control made by external unit, to be installed in a suitable place

One programmer for all your systems



Most complete and advanced linear programming system, to assure total dosing management (*only for PROGRAMMABLE SMARTSYSTEMS*).

- Accepts up to 40 wash formulas, 2 separate categories with 20 formulas each. (Example: Hotel/Motel and Healthcare)
- **25 programming lines** for each washing formula
- No connection to control unit required for programming operations
- Washing phases skipping thanks to the simple programming instruction
- Pump calibration to dose directly in ounces
- Chemical usage data available
- Serial interface and **SMARTWARE** software assure programming and statistic data management by PC
- **Autowash function:** allows automatic wash formula selection just by receiving input signal combinations from laundry machine

Technical features

Power supply:

- By 9 V battery (included)
- By cable from control unit
- By external feeder (on demand)

PC interface (on demand):

- By serial cable and **SMARTWARE** software



Memory Card

Programs

- One programmer to set different **SMARTSYSTEMS**
- Data communication
- User password protected



Languages

- Allows to set the programming language
- Available languages: English, Italian, French, German and Spanish



Programmable SMARTSYSTEMS

SMARTSYSTEMS

P Series*



■ Pumps: 2 to 7

TECHNICAL FEATURES

Flow rate: 18 l/h (300 ml/min)

System power supply:

115, 208 or 230 Vac selectable

Power consumption (max.):

30 W

Input signals: n. 6

20 to 230 Vac or 150 to 230 Vac

SMARTSYSTEMS

H Series*



■ Pumps: 2 to 7

TECHNICAL FEATURES

Flow rate:

30 l/h (500ml/min)

60 l/h (1000 ml/min)

90 l/h (1500 ml/min)

120 l/h (2000 ml/min)

System power supply:

85 to 265 Vac

Power consumption (max.):

100 W

Input signals: n. 6

20 to 230 Vac or 150 to 230 Vac

P and H Series

	Flush Kit	Control Unit	Suction Devices	Levels control	Programmer	PC Interface
BASIC	■	■	■	■	■	■
PLUS	■	■	■	■	■	■

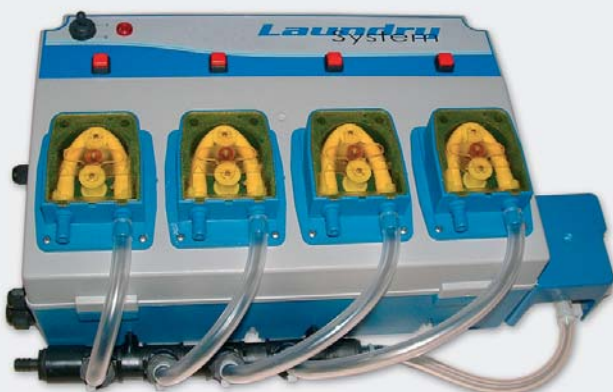
■ INCLUDED ■ ACCESSORIES

*Stainless steel enclosure version on demand

Relay mode operating SMARTSYSTEMS-R

SMARTSYSTEMS-R

P Series*



■ Pumps: 2 to 6

Priming keys

TECHNICAL FEATURES

Flow rate: 18 l/h (300 ml/min)

System power supply:
115, 208 or 230 Vac selectable

Power consumption (max.):
30 W

Input signals: n. 6
20 to 230 Vac or 150 to 230 Vac

SMARTSYSTEMS-R

H Series*



■ Pumps: 2 to 6

Priming keys

TECHNICAL FEATURES

Flow rate:
30 l/h (500ml/min)
60 l/h (1000 ml/min)
90 l/h (1500 ml/min)
120 l/h (2000 ml/min)

System power supply:
85 to 265 Vac

Power consumption (max.):
100 W

Input signals: n. 6
20 to 230 Vac or 150 to 230 Vac

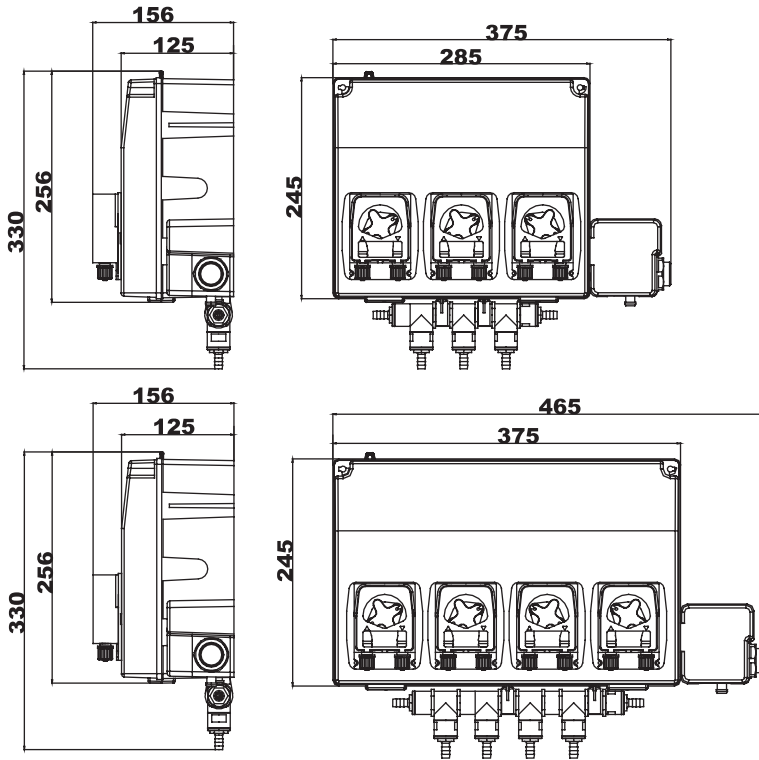
P and H Series

	Flush Kit	Control Unit	Suction Devices	Levels control	Programmer	PC Interface
BASIC	■		■	■		
PLUS	■		■	■		

■ INCLUDED ■ ACCESSORIES

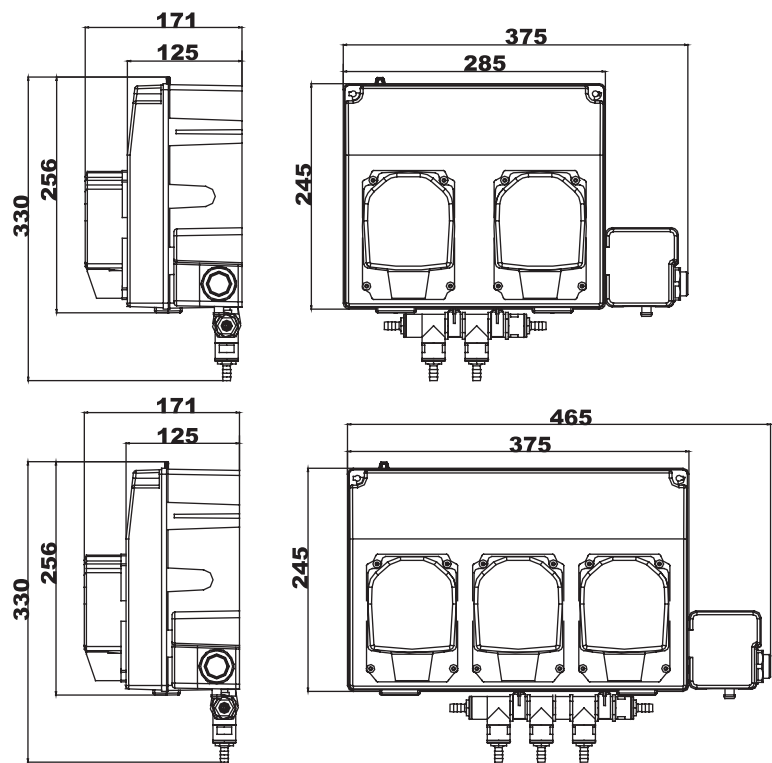
*Stainless steel enclosure version on demand

Dimensional Drawings



P Series	
Pumps	Length (mm)
2	375
3	375
4	465
5	660 (375+285)
6	660 (375+285)
7	750 (375+375)

H Series	
Pumps	Length (mm)
2	375
3	465
4	660 (375+285)
5	750 (375+375)
6	840 (375+465)
7	1035 (375+285+375)





SEKO Asia Pacific
SINGAPORE

SEKO China
CHINA

SEKO do Brasil
BRAZIL

SEKO Dosing
Systems
USA

SEKO Southern
Africa
SOUTH AFRICA

SEKO Deutschland
GERMANY

SEKO France
FRANCE

SEKO Iberica
SPAIN

SEKO Italia
ITALY

000 SEKO
RUSSIA

SEKO UK
UNITED KINGDOM

web site:
www.seko.com

