



Introduction

Improved for 2008, the Electrolux Tornado mobile heater provides performance, versatility and efficiency in a safe and easy to use package.

Versatility in heater placement is delivered with the availability of flexible flue, air inlet and discharge ducts.

Ideal for heating many types of buildings including workshops, warehouses, exhibition halls, sports facilities and temporary structures, Tornado delivers a 20 - 45kW heat input and 100% thermal efficiency (direct fired) with no naked flame, making it much safer than traditional models.

This combined with quiet operation, minimal servicing requirements and high mobility, makes the Tornado the ultimate mobile heater choice.

Features

- NEW 'Clean Burn' combustion head
- NEW quieter operation
- Can be used with or without a flue
- 20 - 45kW heat input
- 100% thermal efficiency - when direct fired
- Optional ducted air kit for contaminated environments
- High volumes of warm clean air (5000m³/hr)
- Operates on 45 kw
- Optional discharge duct for remote heater placement
- Flue duct for applications where products of combustion need to be discharged outside the heated area
- Optional remote thermostat

Safety Features

- NEW Eko Produkt
- Overheat cut-out
- Automatic burner monitoring
- Fully enclosed combustion - no naked flames
- Dual Voltage - 380V
- Cable 4x6 or 10x6

Applications

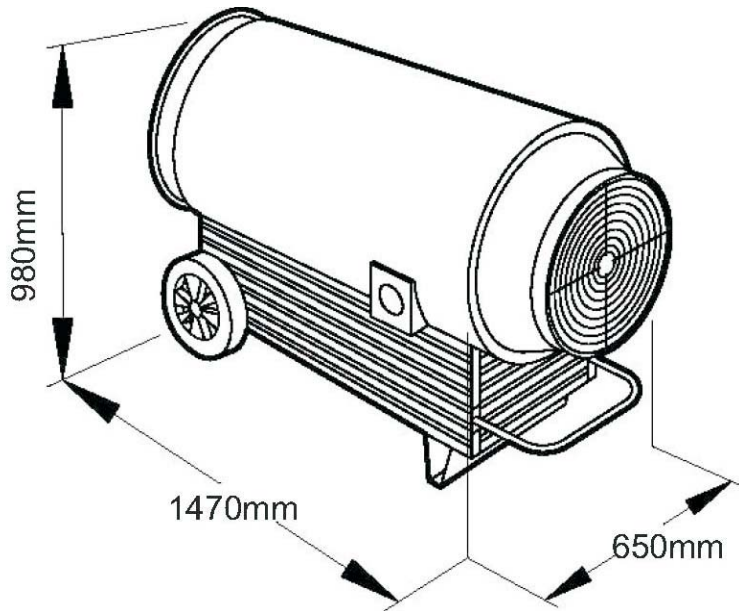
- Heating or drying workshops
- Warehouses
- Factories
- Sports halls
- Exhibition halls
- Temporary structures
- Marquees
- Most temporary heating requirements
- Drying woods
- Drying vegetable



Tornado

Improved for 2008

Mobile Electric Fired Space Heating



Heat input electric type	kW	20 - 45	
Supply pressure	mbar	37	30
Nozzle pressure	mbar	16.0	
Electrical supply	V	380 v	
Electrical input	W	45	
Weight	kg	85	
Hose		1.2m lg, 10mm ID	
Regulator Termostat 4-40c*	kg/h mbar	4 37	4 30
Min Room size	m3	510	
Req'd ventilation	cm2	1275	

