



Discrete Cadaver Transport & Storage Systems



For Nursing Home Applications

Ergonomic Design

Task Of Transporting

TRANSPORTING

JA500/JA600

Mopec Products Make A Tough Job Easier

When a nursing home resident passes away, all of the other residents and staff members are affected. Out of respect for those individuals, and the families who have lost a loved one, it is critical that the deceased resident be transported within the facility in the safest and most discreet manner possible.

Designed for nursing home staff safety and ease-of-use, Mopec's JA600 covered cadaver transfer and transport system and the JA500 stationary storage cart address the physical problems of transferring large, small, heavy and light residents. Both models are ergonomically designed to help reduce lower back strain and potential injury. While the JA500 remains at a comfortable working height of 34 inches, the JA600's hydraulic system can be easily adjusted to meet the needs of each individual caregiver. Both models offer a wider body platform for heavier residents, as well as a unique Total-Lock wheel-locking system for easy maneuverability through doors and hallways.

■ Respectfully Discreet:

A form-fitting, reinforced cover conceals the body and provides a discreet means of transporting the deceased resident.

■ Ease of Use:

With one simple pedal motion, the Total-Lock wheel-locking system stabilizes the unit while transferring the resident. The eight-inch diameter casters make it easier to maintain control while navigating through narrow hallways, and rugged bumpers provide additional heavy-duty impact resistance.

■ Ergonomic, Safe Design:

The JA600 provides a powerful pedal activated hydraulic system for easy and quick elevation to the height of the bed – no hand cranks that can lead to back strain and possible injury.

■ Long Life and Low Maintenance:

The removable light-weight aluminum frame and stainless steel storage cart surface are designed for long life and easy clean up.

"Everyone on our staff involved with transporting deceased residents really likes the ease of using the Mopec systems and we all appreciate the low profile, discreet presence when moving a deceased resident through the facility."



1 ALL WELDED, LIGHT WEIGHT ALUMINUM FALSE FRAME

- At just 23 pounds the false cover can easily be removed by one person.

2 MOVING THE CADAVER FROM THE HOSPITAL BED TO THE TRANSPORTING CART HAS NEVER BEEN EASIER

- Dual side-mounted foot controls allow the technician to effortlessly elevate or lower the transfer tray to the height of the bed without stooping or bending.
- Specially designed contoured edging makes transferring the body very easy.

3 TRANSPORTING WITH CONFIDENCE, SAFETY AND DISCRETION.

- Total-Lock wheel-locking and aligning mechanisms along with heavy-duty eight inch diameter casters provide constant control while maneuvering the JA600.
- The JA600's form-fitting, opaque cover fits over a sturdy coated aluminum frame and ensures the utmost in discretion and consideration for all hospital personnel. Special rugged bumpers provide heavy-duty impact resistance.

4 ERGONOMICALLY DESIGNED

- Working height is easily adjusted to customize working height.
- Wider body platform makes dealing with heavier bodies easier, yet the JA600 cart easily passes through doors and hallways.



NO MORE BACK STRAIN!

ns Optimize The and Storing Cadavers

STORAGE

KL100

Mopec Refrigerator Units

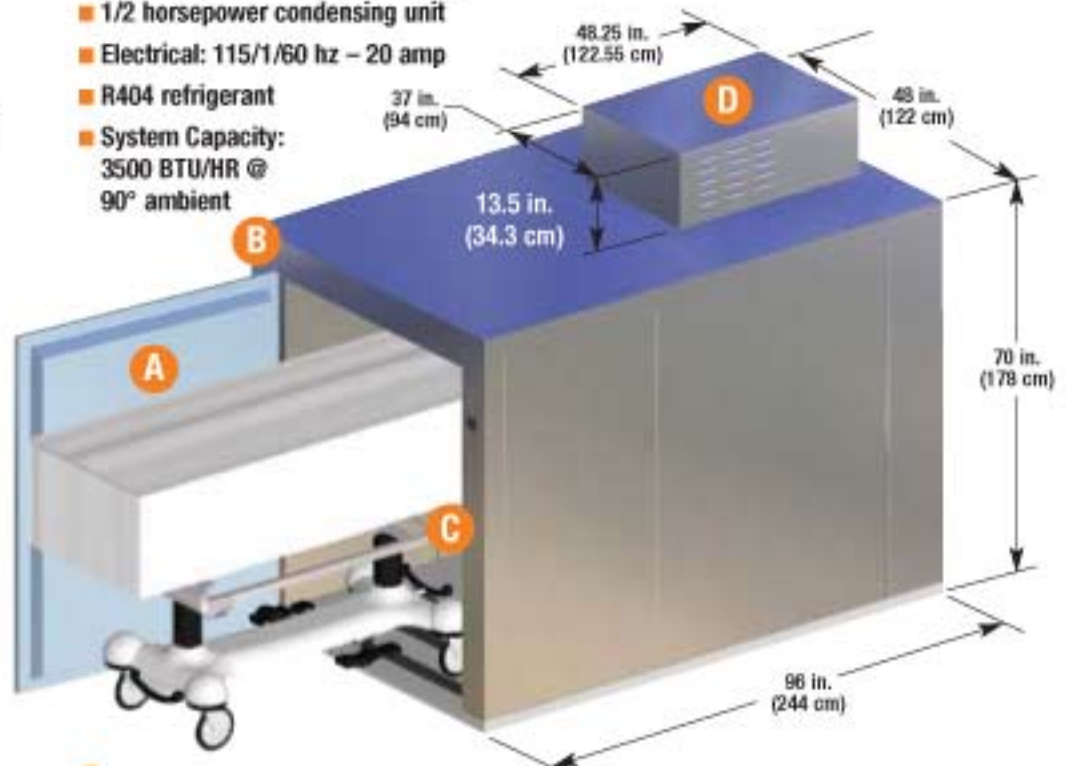
It is necessary to take additional steps beyond safety and discretion to ensure a smooth transition from nursing home to funeral home. Often times, a deceased resident will remain on the nursing home premises while funeral arrangements are made. The Mopec cooler is designed to preserve the body pending autopsies or funerals.

Built for optimum operating efficiency, the evaporator, compressor and thermostat are located outside the refrigerator for:

- Simple installation with just a single-point electrical connection
- Easy access to temperature controls
- Interior ramp
- Assembles in minutes
- Affordability
- Quiet and efficient operation
- Long life and low maintenance

KL100 Roll-In Refrigerator

- Operating temperature 39°F (4°C)
- 1/2 horsepower condensing unit
- Electrical: 115/1/60 hz – 20 amp
- R404 refrigerant
- System Capacity: 3500 BTU/HR @ 90° ambient



- A Door Tag
- B Door Opening: 36" x 59"
- C Door Latch
- D Capsule Pak

Roll In Morgue Refrigerators

Roll in morgue refrigerators are designed to be used with the JA600 and JA500 transport systems.

JA600 Covered Cadaver Transport System



Dimensions:

Width:	30 inches
Length:	81 inches
Height (lowest position):	24-1/2 inches
Height (highest position):	38-1/4 inches
Weight Capacity:	500 lbs. for Bariatric or Obese Residents
White Aluminum Frame Weight:	23 lbs.
False Frame Height:	16 inches

JA500 Stationary Cadaver Storage Cart (Non-Elevating)



Dimensions:

Width:	30 inches
Length:	81 inches
Height:	34 inches

Standard Features:

- Chassis: Chassis is constructed of high-impact, easily cleaned PVC
- Casters: Heavy-Duty eight-inch diameter rubber edged wheel-locking system

Optional Accessory:

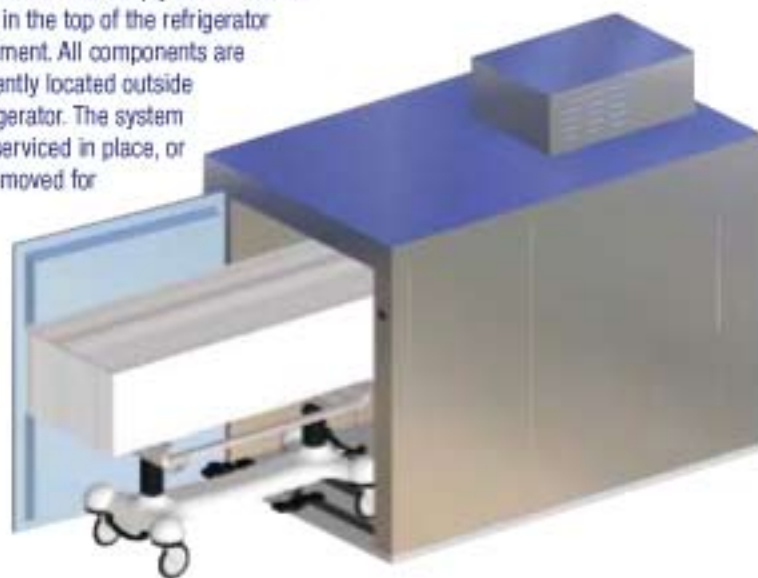
- JA610 White Aluminum False Frame

KL100 Specifications

- **Exterior Metal Finish:** 26 gauge embossed galvanized with aluminum coating.
- **Interior Metal Finish:** (Floor) Galvanized steel, 14 gauge smooth finish.
- **Interior Metal Finish:** (Balance) 26 gauge embossed galvanized with aluminum coating.
- **Floor:** Aluminum floor underlayment 0.100 inches thick.
- **Insulation:** Foamed in place polyurethane insulation. Full, UL Class 1 rigid polyurethane with 20 cubic foot density. "K" = .135 btu/hr, "U" = .033. CFC free and zero ozone depletion.
- **Doors:** Fabricated with 26 gauge embossed galvanized with aluminum coating inside and outside. Door frame and door are each fabricated of an extruded aluminum frame with a vinyl thermo breaker.
- **Hardware:** (End Opening) Each door is provided with cam lift hinges, pull handles with key/padlock feature, magnetic gasket and perimeter frame wire heater.

- **Light:** Vapor proof incandescent light with safety shield and door controlled light switch.
- **Operating Temperature:** 39°F (4°C).
- **Capsule Pak Refrigeration System (Mopec Exclusive):** The air cooled, welded hermetic refrigeration system is a self contained unit that simply sets above an opening in the top of the refrigerator compartment. All components are conveniently located outside the refrigerator. The system can be serviced in place, or easily removed for

maintenance—your technician need not enter the cooler compartment. No longer does the technician need to expose themselves to potential bacteria within the refrigerated structure.



**Capsule Pak Refrigeration System
(Mopec Exclusive)**

For a complete catalog detailing our products and services, please call us at 1-800-362-8491 or visit our web site at www.mopec.com.



21750 Coolidge Highway • Oak Park, MI 48237
Toll Free: 800-362-8491 • Tel: 248-291-2040 • Fax: 248-291-2050
www.mopec.com