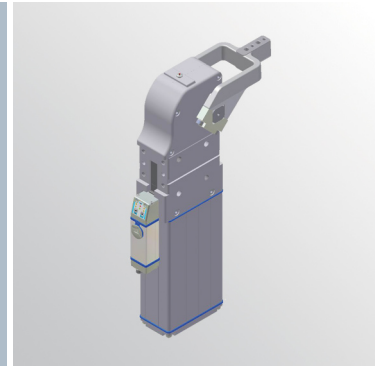


LAE950

Power clamp



| | | | | | | | | | |
|---|---|---|---|---|---|---|---|---|---|
| L | A | E | 9 | 5 | 0 | V | C | 1 | 0 |
| 1 | | | 2 | | | 3 | 4 | 5 | |

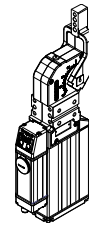
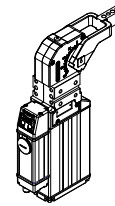
| | | | |
|-----------------|---------------|-----------------------------|--|
| 1 Series | 2 Size | 3 Arm mount position | |
|-----------------|---------------|-----------------------------|--|

LAE = Power clamp

950

V = 90°

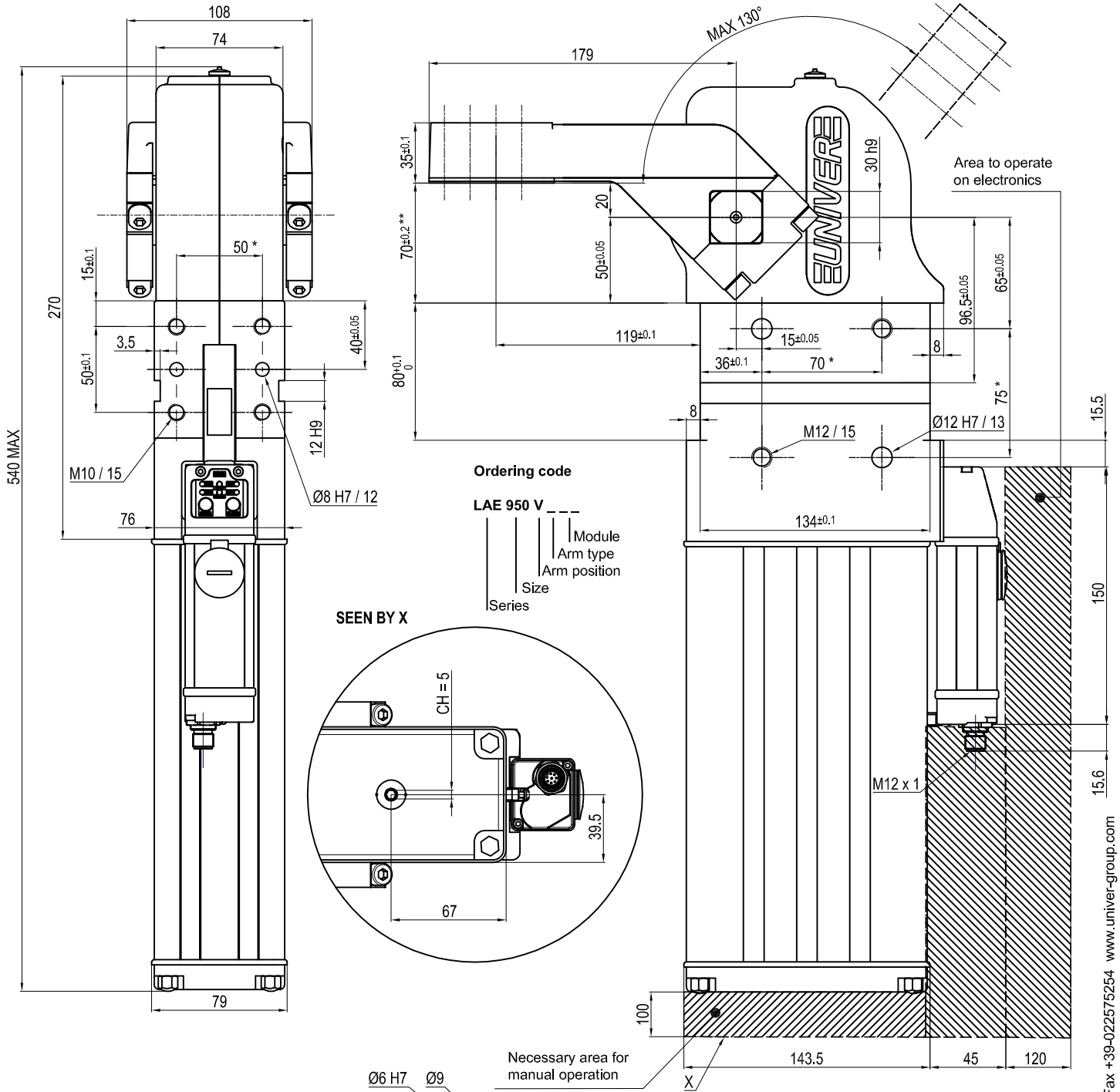
O = 180°



| | |
|--------------------|-------------------------|
| 4 Arm style | 5 Control module |
|--------------------|-------------------------|

C = Central - standard
 D = Right - standard
 S = Left - standard

10 = 1 connector - standard software
 20 = 2 connector - standard software



* : TOLERANCE FOR DOWEL HOLES ± 0.02
FOR SCREW HOLES ± 0.1

** : TOLERANCE AT 80mm FROM PIVOT POINT

Temperature range : 5° + 40°C
Opening angles available : 130° - 105° - 90° - 75° - 60° - 45° - 30° - 15°
Work position : vertical
Class protection : IP 65

| Size | Clamping Torque | Sec. to clamping point | Max weight |
|------|-----------------|------------------------|------------|
| 950 | 1000 Nm | 1 sec x 90° | 12,6 Kg. |

Subject to technical modifications without notice

CLAMP ARM TYPE :
D Right standard (wishbone)
C Central standard (wishbone)
S Left standard (wishbone)

Rev. 01 del 29 | 09 | 05

Pag. **D01.01**

UNIVER S.p.A. Headquarters:

I - 20128 MILANO Via Eracilio, 31 - Tel. +39-0225298-1 - Fax +39-022575254 www.univer-group.com

A TERMINE DI LEGGE CI RISERVIAMO LA PROPRIETA' DI QUESTO DISEGNO CON DIVIETO DI RIPRODURRE O DI RENDERSI CONDOTTO DA TERZI A TERZO DITTE CONCORRENTI SENZA NOSTRA SPECIFICA AUTORIZZAZIONE