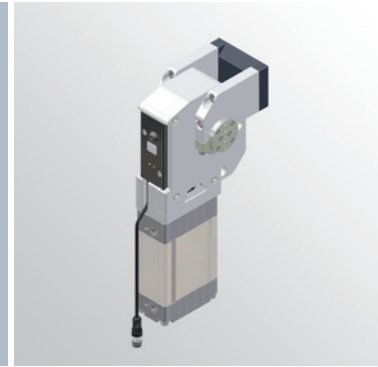


# DMA200

Power pivot conforming to CNOMO Standard



<b>D</b>	<b>M</b>	<b>A</b>	<b>2</b>	<b>0</b>	<b>0</b>	<b>M</b>	<b>P</b>	<b>N</b>	<b>E</b>	<b>4</b>	<b>2</b>	<b>0</b>
1			2			3		4	5	6	7	8

<b>1</b> Serie	<b>2</b> Size	<b>3</b> Version
----------------	---------------	------------------

**DMA** = Power pivot conforming to CNOMO Standard

**200**

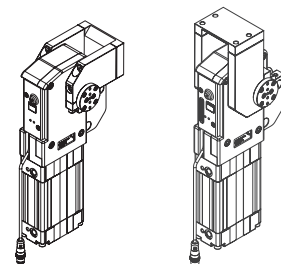
**MP** = Pneumatic

<b>4</b> Brake	<b>5</b> Sensing style	<b>6</b> Table Position
----------------	------------------------	-------------------------

**N** = No brake included

**E** = Electronic sensor with M12 connector  
**S** = No sensor included

**4** = Vertical 180°  
**5** = Horizontal 90°

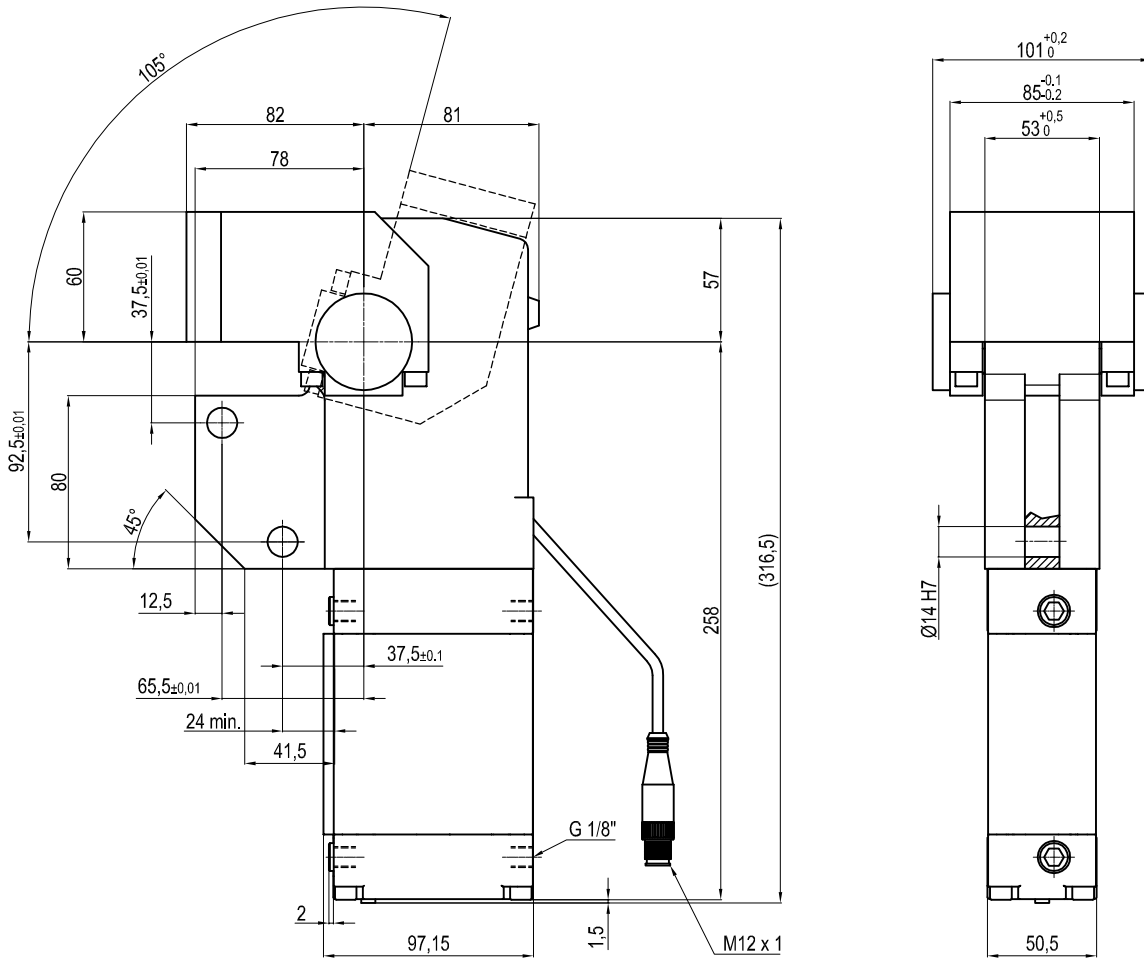


<b>7</b> Rotating table	<b>8</b> Opening angle
-------------------------	------------------------

**1** = Short table with inox plate  
**2** = Short table with standard plate

**0** = 105°  
**1** = 95°  
**2** = 80°  
**3** = 70°  
**4** = 55°  
**5** = 45°  
**6** = 35°  
**7** = 25°  
**8** = 15°

## Pneumatic power pivot



Size	Holding moment	Max. torque at the rotary table 0,55 MPa	Time to close (0,55 MPa)	Weight
63	1500 Nm	11 Nm	1 sec. x 90	5.2 Kg.

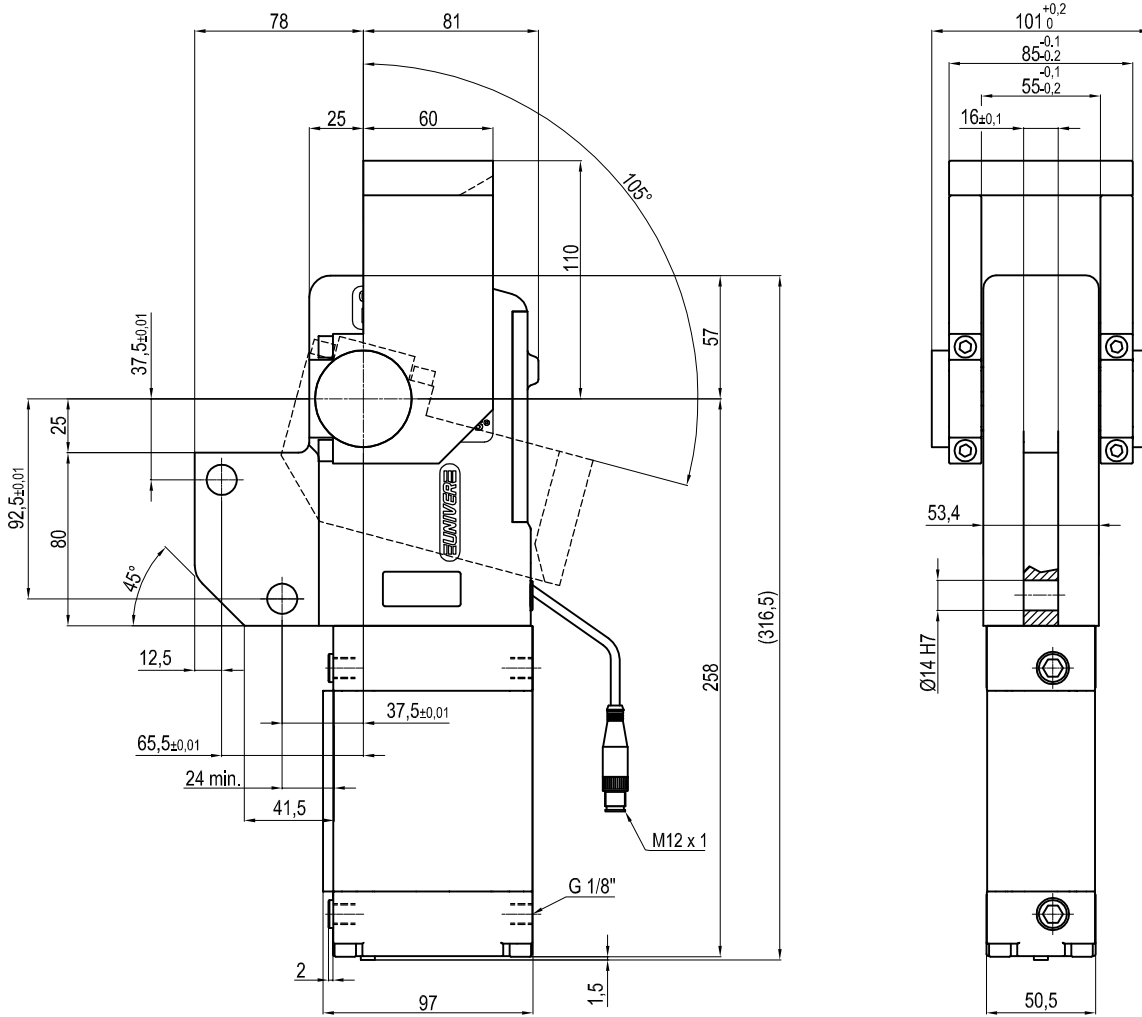
Min./Max. operating pressure: **0,4 / 0,8 MPa**  
 Operating temperature: **5° ± 45° C**

Opening angles available: **15° - 25° - 35° - 45° - 55° - 70° - 80° - 95° - 105°**

Vertical arm mount position  
 Electronic 24 Vdc sensor with M12 connector  
 Protection class: **IP 65**  
 Pneumatic ports on both sides

Subject to technical modifications without notice.

## Pneumatic power pivot



Size	Holding moment	Max. torque at the rotary table 0,55 MPa	Time to close (0,55 MPa)	Weight
63	1500 Nm	11 Nm	1 sec. x 90	5.2 Kg.

Min./Max. operating pressure: **0,4 / 0,8 MPa**  
 Operating temperature: **5° ± 45° C**

Opening angles available: **15° - 25° - 35° - 45° - 55° - 70° - 80° - 95° - 105°**

Horizontal arm mount position  
 Electronic 24 Vdc sensor with M12 connector  
 Protection class: **IP 65**  
 Pneumatic ports on both sides