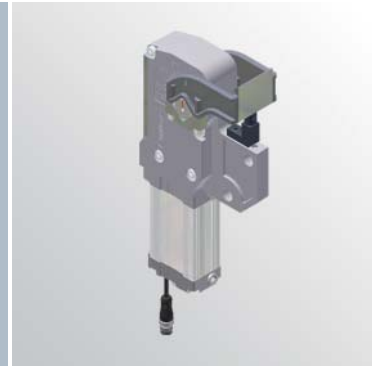


DMS

Power clamps conforming to the CNOMO Standard



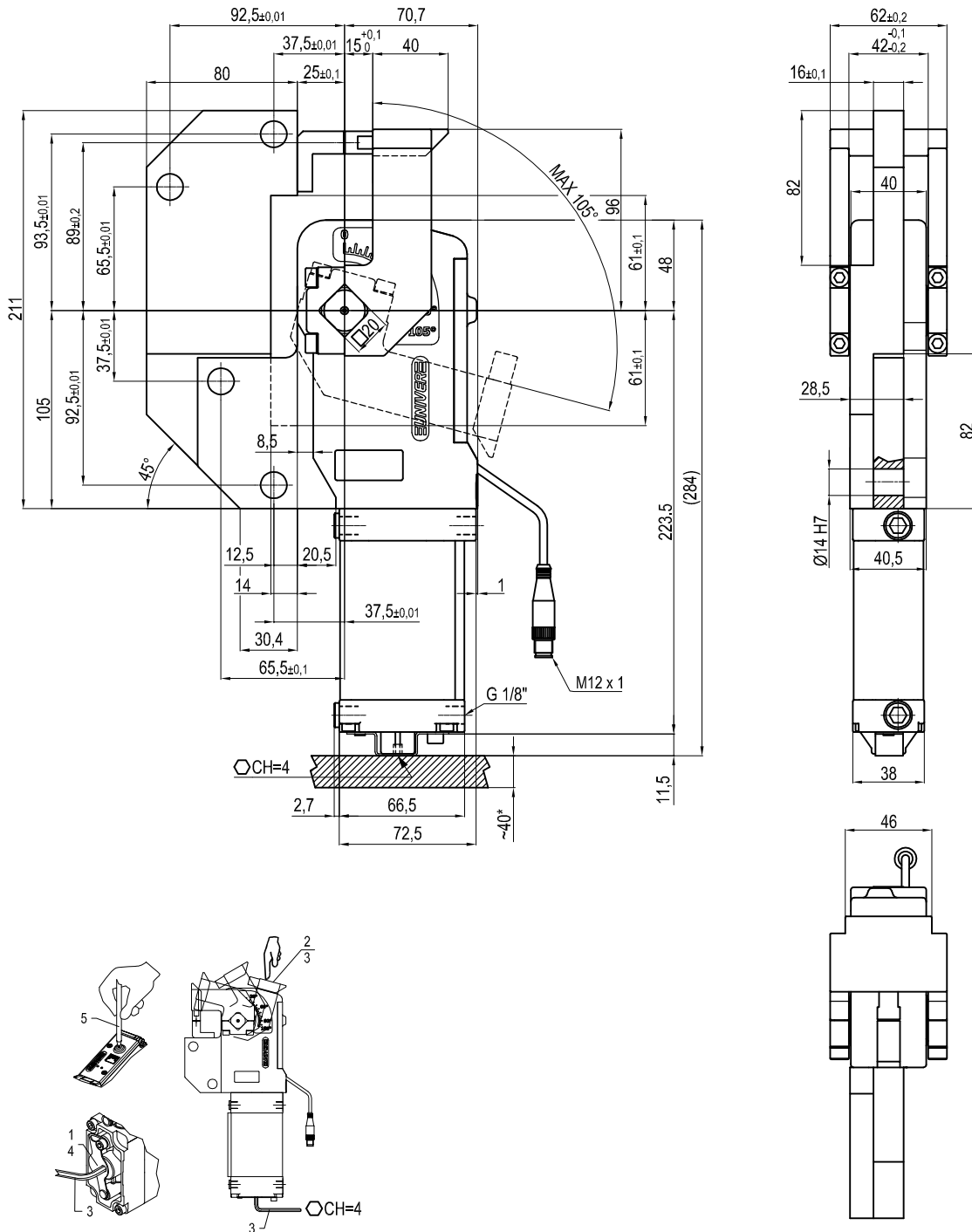
D	M	S	1	0	0	M	P	N	U
1		2			3		4	5	

1 Series	2 Size	3 Mechanims
DMS = power clamp conforming to the CNOMO Standard	100 = 100 Nm (size 50, cylinder Ø 40mm)	MP = pneumatic mechanism

4 Brake	5 Sensing style/Version
N = without brake system V = with brake system	S = no sensor U = UNIVERSAL version, with three-wires electronic sensor and stepless adjustment of the opening angle from 25° to 105°

UNIVERSAL Power clamp conforming to the CNOMO standard

+ DMS100-160ETN
+ DMS100-250ADD



Size	Cylinder	Max clamping moment at 0,55 MPa	Cycle time (0,55 MPa)	Weight
100	40	3 daN	0.7 sec. x 90°	3.2 Kg.

Min./Max. operating pressure: **0,4 / 0,8 MPa**
 Operating temperature: **5° + 45° C**
 Opening angle: **adjustable from 25° to 105°**
 Clamping arm position: horizontal
 Electronic 24 Vdc, sensor with M12
 Protection Class: **IP 65**
 Pneumatic ports on both sides

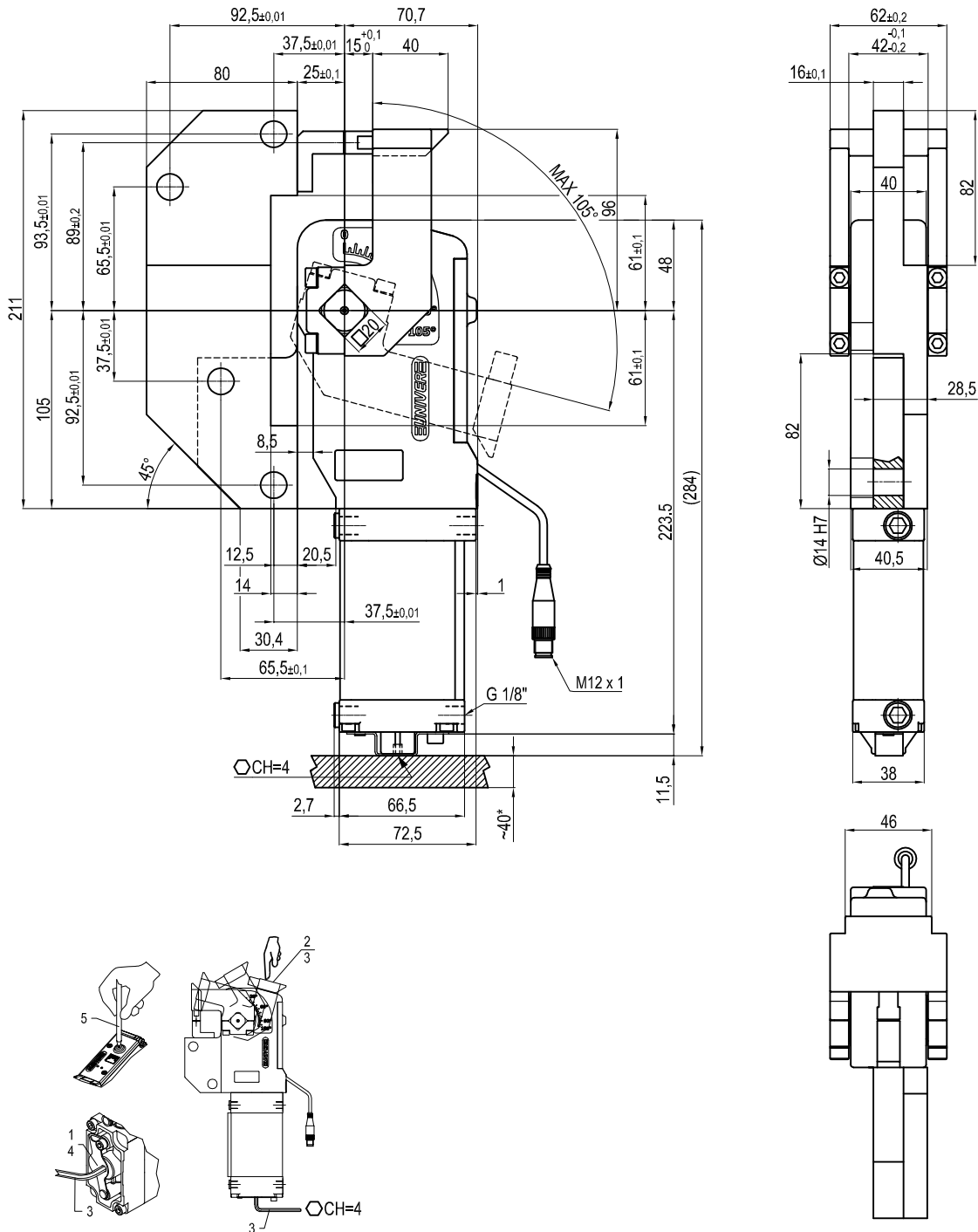
* : AREA TO ACCES ANGLE ADJUSTMENT

Subject to technical modifications without notice

UNIVERSAL Power clamp conforming to the CNOMO standard

+ DMS100-160ETN

+ DMS100-250ADG



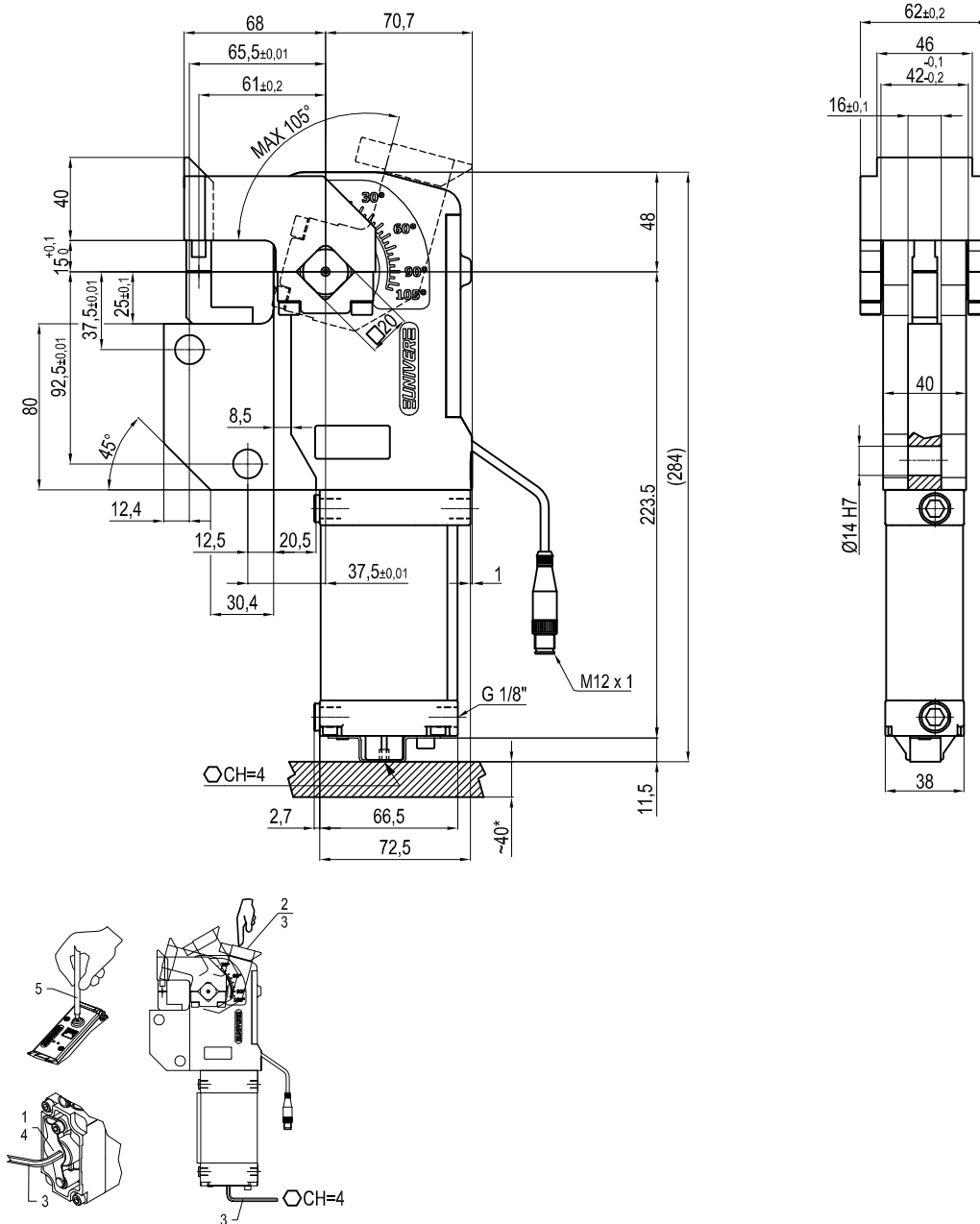
Size	Cylinder	Max clamping moment at 0,55 MPa	Cycle time (0,55 MPa)	Weight
100	40	3 daN	0.7 sec. x 90°	3.2 Kg.

Min./Max. operating pressure: **0,4 / 0,8 MPa**
 Operating temperature: **5° + 45° C**
 Opening angle: **adjustable from 25° to 105°**
 Clamping arm position: horizontal
 Electronic 24 Vdc, sensor with M12
 Protection Class: **IP 65**
 Pneumatic ports on both sides

* : AREA TO ACCESS ANGLE ADJUSTMENT

Subject to technical modifications without notice

UNIVERSAL Power clamp conforming to the CNOMO standard + DMS100-160ETC



Size	Cylinder	Max clamping moment at 0,55 MPa	Cycle time (0,55 MPa)	Weight
100	40	3 daN	0.7 sec. x 90°	2.4 Kg.

Min./Max. operating pressure: **0,4 / 0,8 MPa**
 Operating temperature: **5° ± 45° C**
 Opening angle: **adjustable from 25° to 105°**
 Clamping arm position: horizontal
 Electronic 24 Vdc, sensor with M12
 Protection Class: **IP 65**
 Pneumatic ports on both sides

* : AREA TO ACCES ANGLE ADJUSTMENT

Subject to technical modifications without notice