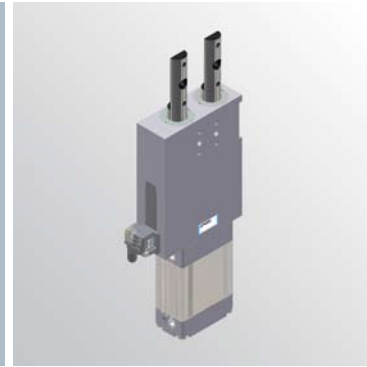


LCA63

Retractable locating pin unit
with double rod



L	C	A	6	3	0	5	0	U	A	R
1	2	3		4		5	6	7		

1 Series	2 Version	3 Size
-----------------	------------------	---------------

LC = Retractable locating pin unit

A = Pneumatic with double rod

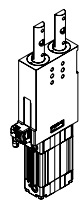
63 = \varnothing 63 mm

4 Strokes	5 Sensing style	6 Rod end style
------------------	------------------------	------------------------

015 = 15 mm
025 = 25 mm
040 = 40 mm
050 = 50 mm
060 = 60 mm

D = Pneumatic sensor with double air supply
N = No sensor (with protection plate)
U = Electronic 24 Vdc sensor with M12 swivel connector

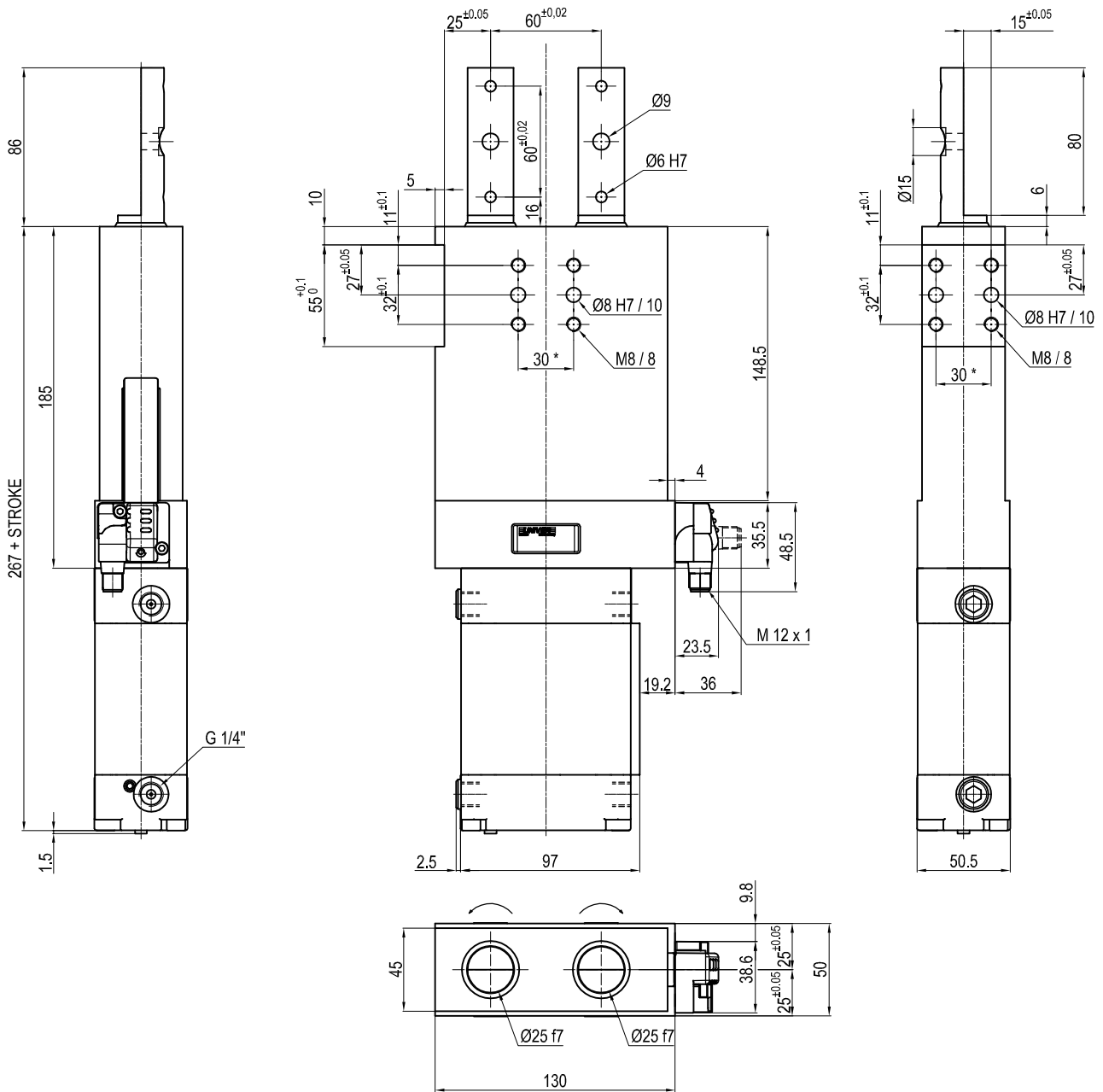
A = Rod for off-set pins



7 Rod scraper

R = Rod scraper in stainless steel

Pneumatic retractable locating pin unit with double rod



Bore Ø	Max. radial thrust	Max. axial thrust at 0.5 MPa	Max. torque	Max. deflection moment	Max. rotating on the rod	Weight
63 mm	250 N	1500 N	20 Nm	20 Nm	±0.01°	5.8 Kg

Min./max. operating pressure: **0,4 / 0,8 MPa**
 Operating temperature: **5° + 45° C**
 Strokes in mm.: **15 - 25 - 40 - 50 - 60**

Electronic 24 Vdc sensor with M12 swivel connector that can be orientated at 0° or 90°

Protection class: **IP 65**
 Pneumatic ports on both sides

* : TOLERANCE BETWEEN DOWEL HOLES ± 0.02, TO SCREW HOLES ± 0.1

Subject to technical modification without notice.

Date	Change
31.03.08	Change in the body dimension from 50 to 45 mm, height 148.5