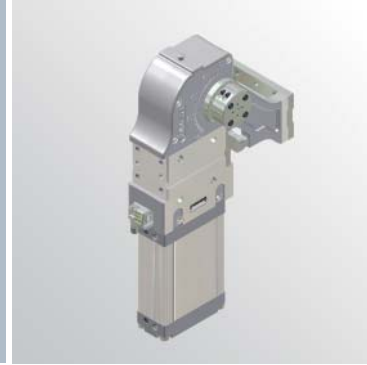


LAGP080

Power pivot



L	A	G	P	0	8	0	V	U	0	9	0	B	
1		2		3			4		5		6		7

1 Series	2 Version	3 Size
-----------------	------------------	---------------

LAG = Power pivot with predetermine pivot rotation in degrees

P = Pneumatic standard

080

4 Table position	5 Sensing style	6 Pivot rotation in degrees
-------------------------	------------------------	------------------------------------

V = Vertical 180°
O = Horizontal 90°
Z = Vertical mount style symmetrical to V mount style.
 Max opening angle 120°
P = Horizontal mount style symmetrical to O mount style.
 Max. opening angle 60°

U = Electronic 24 Vcc sensor with M12 swivel connector

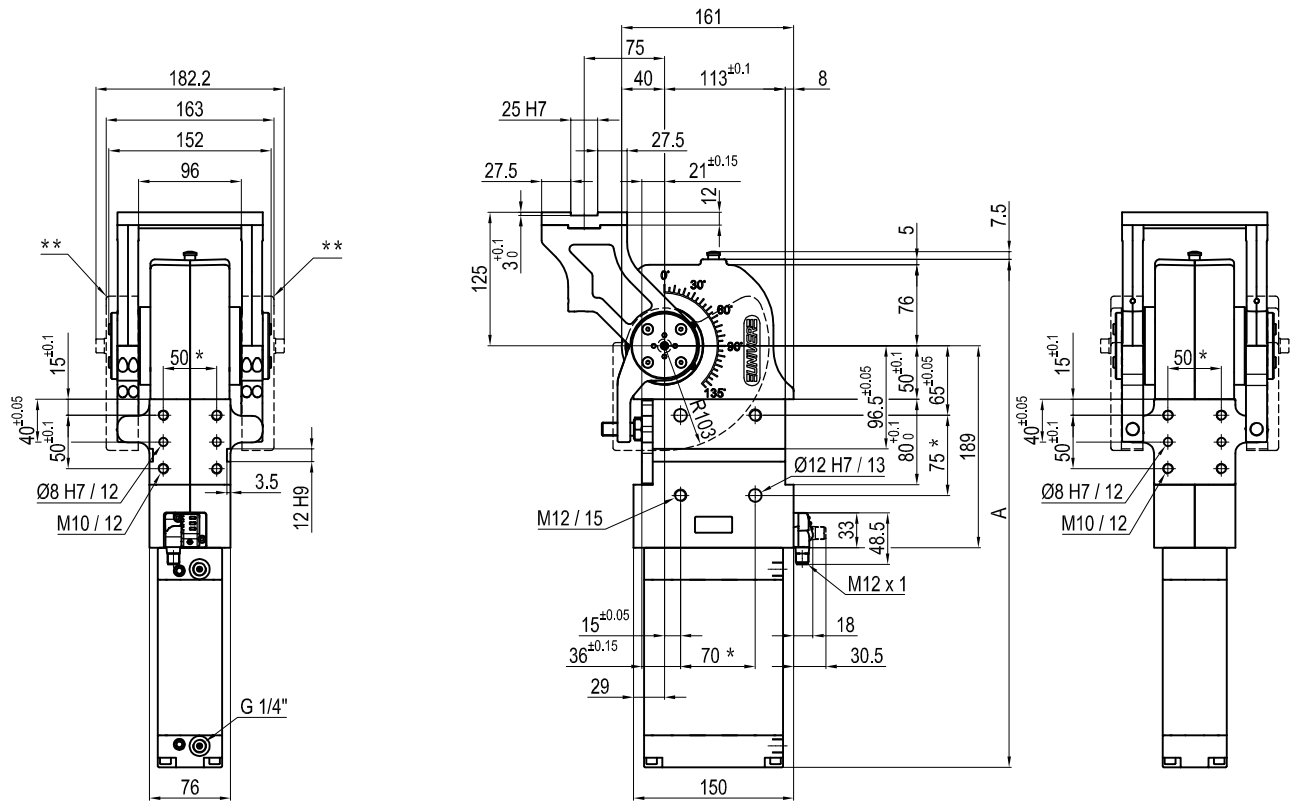
120 = 120°
090 = 90°
060 = 60°
045 = 45°

7 Brake system

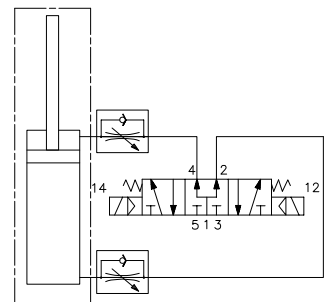
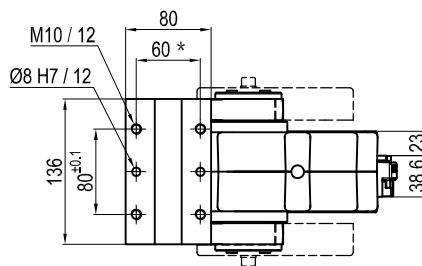
B = Safety brake included
W = Without safety brake



Pneumatic power pivot



Pivot rotation in degrees	A
45°	414
60°	425.5
90°	450.5
120°	475.5



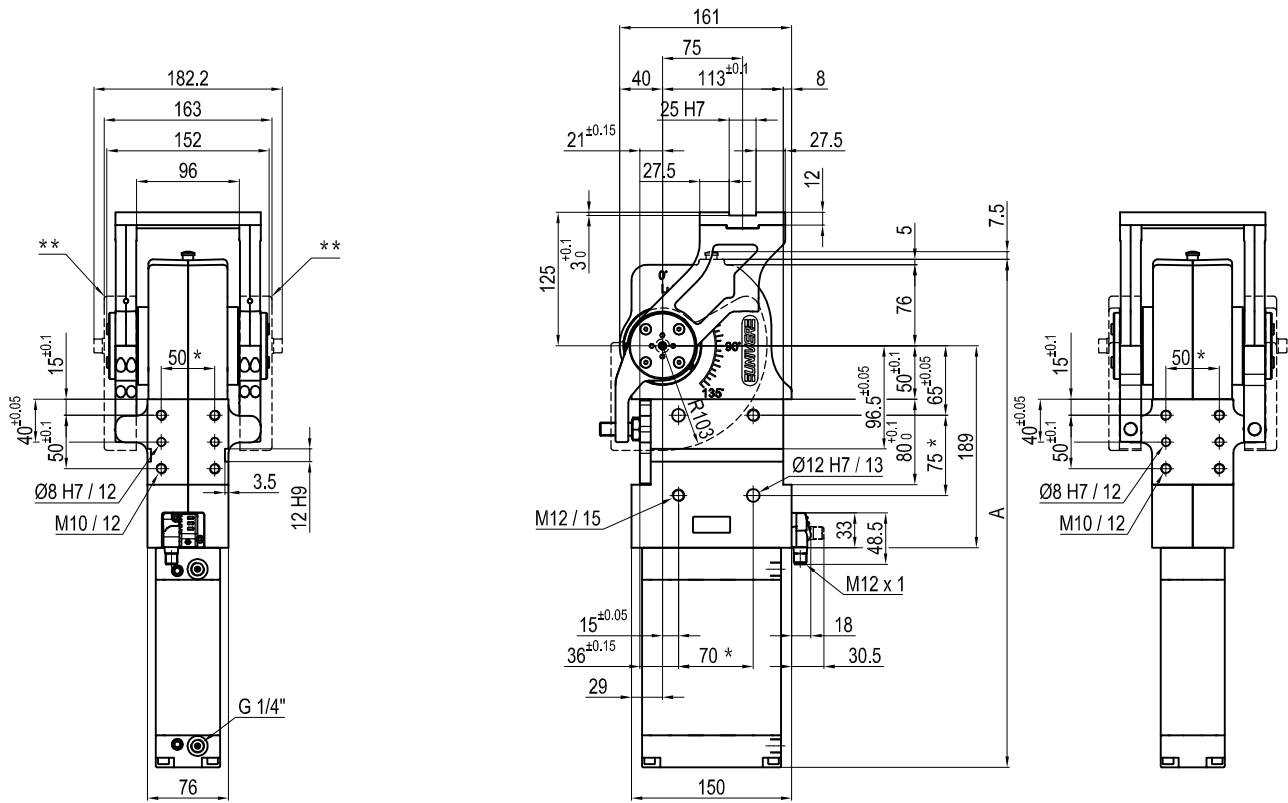
Size	Holding moment	Max. torque at the rotary table 0,55 MPa	Weight
80	4000 Nm	80 Nm	11 Kg

Min./Max. operating pressure: **0,4 / 0,8 MPa**
 Operating temperature: **5° ÷ 45° C**
 Predetermine pivot rotation in degrees: **45° - 60° - 90° - 120°**
 Horizontal arm mount position
 Electronic 24 Vdc sensor with M12 swivel connector that can be orientated at 0° or 90°
 Protection class: **IP 65**

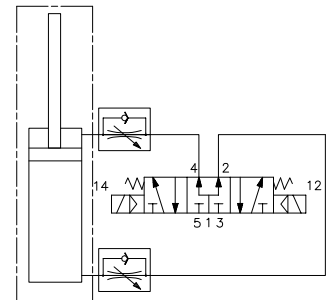
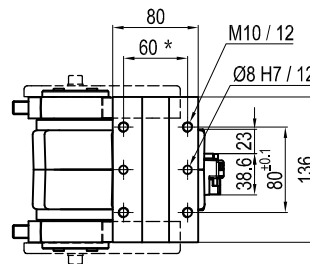
* : TOLERANCE BETWEEN DOWEL HOLES ± 0.02, TO SCREW HOLES ± 0.1
 ** : TO BE ORDERED SEPARATELY

Subject to technical modifications without notice.

Pneumatic power pivot



Pivot rotation in degrees	A
45°	414
60°	425.5



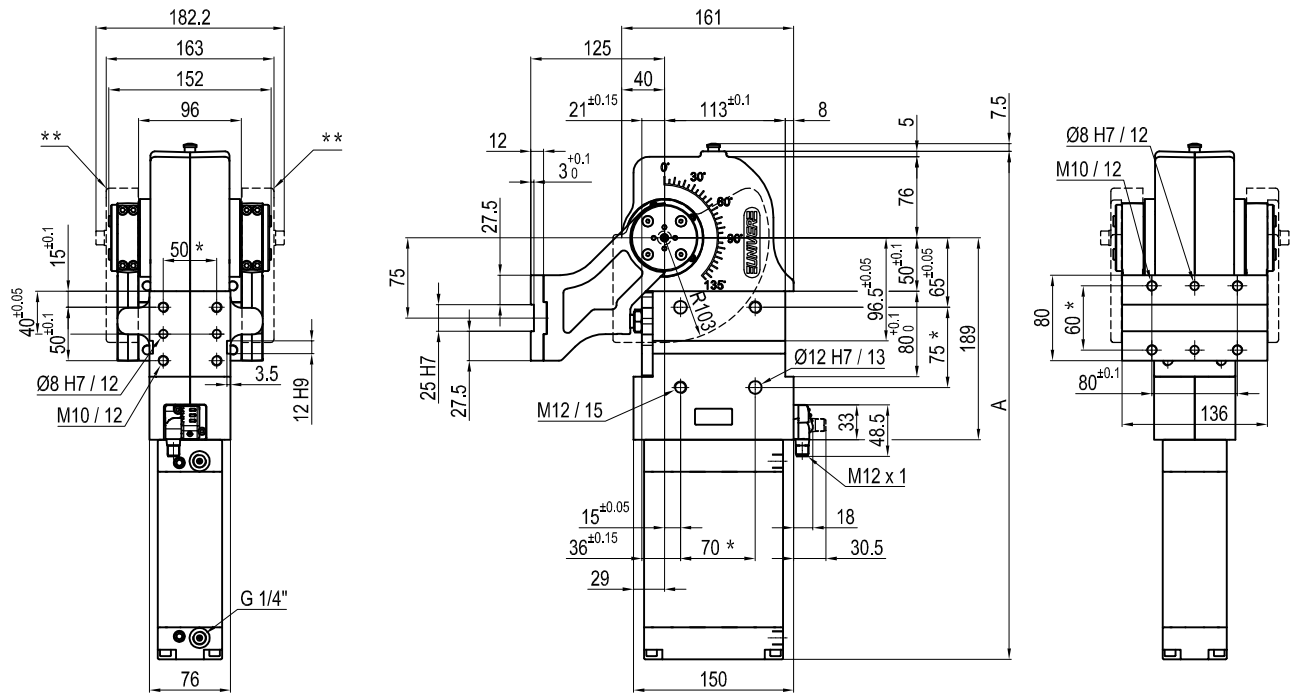
Size	Holding moment	Max. torque at the rotary table 0,55 MPa	Weight
80	4000 Nm	80 Nm	11 Kg

Min./Max. operating pressure: **0,4 / 0,8 MPa**
 Operating temperature: **5° ÷ 45° C**
 Predetermine pivot rotation in degrees: **45° - 60° - 90° - 120°**
 Horizontal arm mount position
 Electronic 24 Vdc sensor with M12 swivel connector that can be orientated at 0° or 90°
 Protection class: **IP 65**

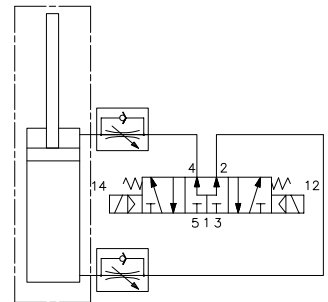
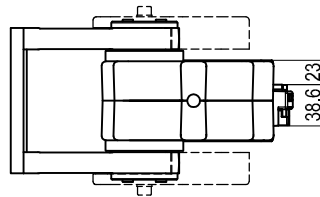
* : TOLERANCE BETWEEN DOWEL HOLES ± 0.02, TO SCREW HOLES ± 0.1
 ** : TO BE ORDERED SEPARATELY

Subject to technical modifications without notice.

Pneumatic power pivot



Pivot rotation in degrees	A
45°	414
60°	425.5
90°	450.5
120°	475.5



Size	Holding moment	Max. torque at the rotary table 0,55 MPa	Weight
80	4000 Nm	80 Nm	11 Kg

Min./Max. operating pressure: **0,4 / 0,8 MPa**

Operating temperature: **5° ÷ 45° C**

Predetermine pivot rotation in degrees: **45° - 60° - 90° - 120°**

Vertical arm mount position

Electronic 24 Vdc sensor with M12 swivel connector that can be orientated at 0° or 90°

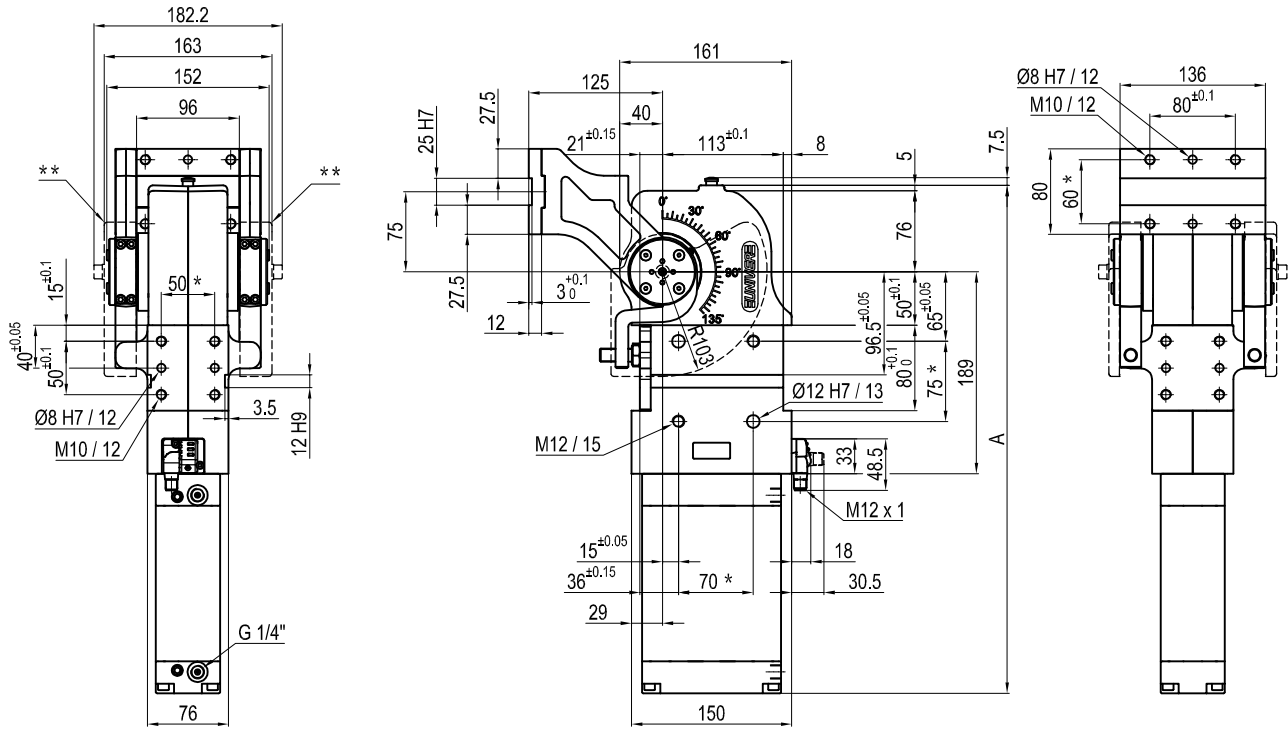
Protection class: **IP 65**

* : TOLERANCE BETWEEN DOWEL HOLES ± 0.02, TO SCREW HOLES ± 0.1

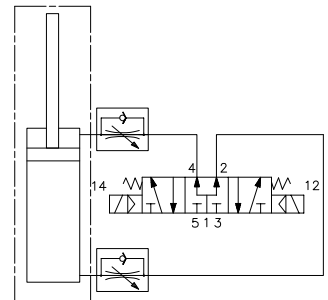
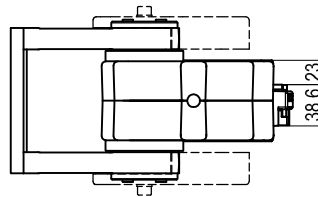
** : TO BE ORDERED SEPARATELY

Subject to technical modifications without notice.

Pneumatic power pivot



Pivot rotation in degrees	
45°	414
60°	425.5
90°	450.5
120°	475.5



Size	Holding moment	Max. torque at the rotary table 0,55 MPa	Weight
80	4000 Nm	80 Nm	11 Kg

Min./Max. operating pressure: **0,4 / 0,8 MPa**
 Operating temperature: **5° ÷ 45° C**
 Predetermine pivot rotation in degrees: **45° - 60° - 90° - 120°**
 Vertical arm mount position
 Electronic 24 Vdc sensor with M12 swivel connector that can be orientated at 0° or 90°
 Protection class: **IP 65**

* : TOLERANCE BETWEEN DOWEL HOLES ± 0.02, TO SCREW HOLES ± 0.1
 ** : TO BE ORDERED SEPARATELY

Subject to technical modifications without notice.