



ЕЛЕКТРОЛУКС Electrolux

Factory - Intelligent Engineering, Shop, Sales and Service

Ovaj cifez e sopstvenost na Electrolux-Bitola.Bez negovo pismeno odobruvanje istiot nesmee da se prepisuva ,umnozuvata niti kopira bez soglasnost od Electroluks vo sproftivno se snosat poslednici vo smislana clenovite 163 i 164 od kriviciot zakon R.M. (povreda na avtorsko pravo)

6035 SERIES FUNCTIONAL FEATURES



Folding chair that stands out because of its excellent balance between comfort and minimum use of space. The seat tips up automatically as well as the armrests. The folding system lies in flipping up the armrests with the automatic return of the seat in a single movement. Thus, at the same time that the seat folds up automatically, the armrests move up to a vertical

Electroluks is registered trademark of Elektroluks companies in Macedonia and other countries

Adresa: ul.Braka Mingovi 18, 7000 Bitola; tel: 047/203-330 ,203 900ul.A.Guslarot.1a 02/329 8 130 Skopje

www.electrolux.com.mk www.elektroluks.com.mk e-mail: elek-palenzo@mt.net.mk



ЕЛЕКТРОЛУКС Electrolux

Factory - Intelligent Engineering, Shop, Sales and Service

Ovaj cifaz e sopstvenost na Electrolux-Bitola.Bez negovo pismeno odobruvanje istiot nesmee da se prepisuva ,umnozava niti kopira bez soglasnost od Electroluks vo sproftivo se snosat posledici vo smislana clenovite 163 i 164 od kriviciot zakon R.M. (povređa na avtorsko pravo)

Electroluks is registered trademark of Elektroluks companies in Macedonia and other countries

position so that the seat folded does not surpass the depth of 350mm. The backrest always keeps its fixed position.

The seat consists of a compact single block of moulded polyurethane foam that fully covers the internal metal structure of the seat. This structure comprises a curved tubular frame, a mesh of flat springs and hinge pins for the seat to tip up. The polyurethane foam block is covered with a easily removable and replaceable zip-on upholstery. The backrest is made in the same manner as the seat. Ergonomics has been the primary aspect for designing both seat and back cushions and the seat enhances maximum comfort.



Between the upholstery and the foam of both the seat and the back, there is a 5-mm thick TS System fire curtain that keeps fire from reaching the foam, thus preventing the emission of toxic gases and flames.

The seat tips up automatically thanks to an extremely quiet double spring system inside the seat shell (tested to 500,000 cycles) that requires no lubrication of any kind.

The armrests also consist of a single upholstered block. Inside the armrest there is also an extremely quiet return spring (tested at 500,000 cycles), that requires no lubrication and which is extremely quiet.

Two aluminium sides linked together by a metal bridge support the set of seat, back and armrests. In this bridge there are located the housings for the hinges, which incorporate a blocking mechanism, where the axes of the seat rest.

In conjunction with the F 45 table, this is an ideal solution for long working sessions and conferences.

Adresa: ul.Braka Mingovi 18, 7000 Bitola; tel: 047/203-330 ,203 900ul.A.Guslarot.1a 02/329 8 130 Skopje

www.electrolux.com.mk www.elektroluks.com.mk e-mail: elek-palenzo@mt.net.mk

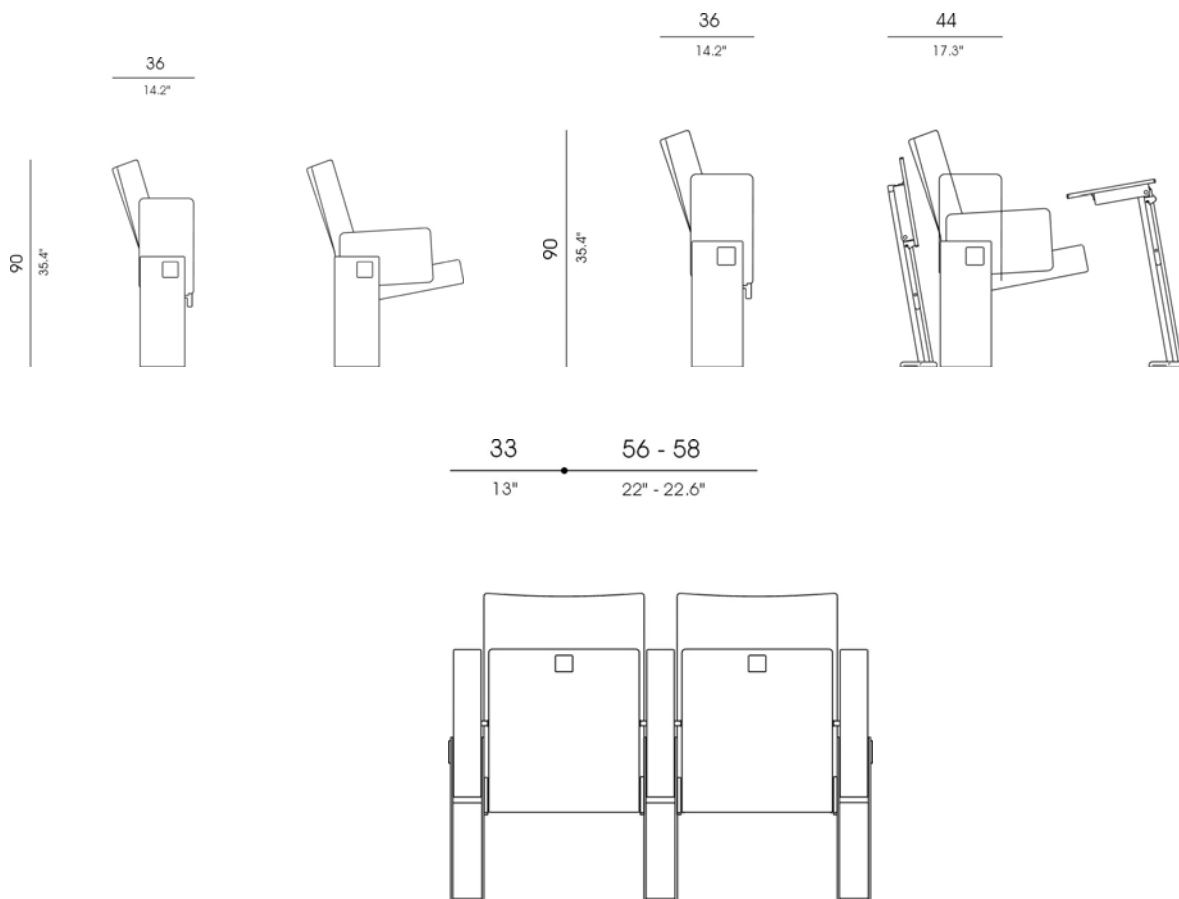


ЕЛЕКТРОЛУКС Electrolux

Factory - Intelligent Engineering, Shop, Sales and Service

Ovoј cifez e sopatvenost na Electrolux-Bitola. Bez negovo pismeno odobruvanje istiot nesmee da se prepisuva , umnozava niti kopira bez soglasnost od Electroluks vo sprotivno se snosat posedioci vo smislana clenovite 163 i 164 od kriviciot zakon R.M. (повреда на авторско право)

TECHNICAL CHARACTERISTICS



STRUCTURE:

- Steel plate and tube, welded with continuous arc.

POLYURETHANE FOAM:

- Seat density: 65 Kg. m³
- Back density: 57 Kg. m³

PAINT:

- Electrostatic powder epoxy
- Coating thickness: 70-80 micra
- Grid adherence: 100%

Adresa: ul.Braka Mingovi 18, 7000 Bitola; tel: 047/203-330 ,203 900ul.A.Guslarot.1a 02/329 8 130 Skopje

www.electrolux.com.mk www.elektroluks.com.mk e-mail: elek-palenzo@mt.net.mk

Electroluks is registered trademark of Elektroluks companies in Macedonia and other countries

