

## **HEATERS RC SERIES 02/08**

### **RCF-SCT**

WIRE resistances Heaters, assembled on round duct complete with:

- automatic reset thermal protector
- manual reset thermal protector
- command relay
- terminal board
- cable glands.

### **RCF-SC**

Same at RCF-SCT without command relay.



<b>WIRE RESISTANCES DUCT HEATERS RCF-SCT-....- SERIES</b>				
Code	Diameter (mm)	Power (W)	Tension (V)	NOTE
RCF-SC-20010-M	200	1.000	230-1	
RCF-SC-20020-M	200	2.000	230-1	
RCF-SCT-20030-M	200	3.000	230-1	
RCF-SCT-20030-T	200	3.000	400-3	
RCF-SCT-20045-T	200	4.500	400-3	
RCF-SC-25010-M	250	1.000	230-1	
RCF-SC-25020-M	250	2.000	230-1	
RCF-SCT-25030-M	250	3.000	230-1	
RCF-SCT-25030-T	250	3.000	400-3	
RCF-SCT-25045-T	250	4.500	400-3	
RCF-SCT-25060-T	250	6.000	400-3	
RCF-SCT-25090-T	250	9.000	400-3	
RCF-SCT-31530-M	315	3.000	230-1	
RCF-SCT-31530-T	315	3.000	400-3	
RCF-SCT-31545-T	315	4.500	400-3	
RCF-SCT-31560-T	315	6.000	400-3	
RCF-SCT-31590-T	315	9.000	400-3	
RCF-SCT-315120-T	315	12.000	400-3	
RCF-SCT-40030-M	400	3.000	230-1	
RCF-SCT-40060-T	400	6.000	400-3	
RCF-SCT-40090-T	400	9.000	400-3	
RCF-SCT-400120-T	400	12.000	400-3	

## **HEATERS RC SERIES 02/08**

### **RCF-SCTTC**

WIRE resistances Heaters, assembled on round duct complete with:

- automatic reset thermal protector
- manual reset thermal protector
- command relay
- terminal board
- cable glands
- duct adjustable thermostat.



### **RCF-SCTC**

Same at RCF-SCTTC without command relay.

<b>WIRE RESISTANCES DUCT HEATERS RCF-SCT-.....- SERIES</b>				
Code	Diameter (mm)	Power (W)	Tension (V)	NOTE
RCF-SCTC-20010-M	200	1.000	230-1	
RCF-SCTC-20020-M	200	2.000	230-1	
RCF-SCTTC-20030-M	200	3.000	230-1	
RCF-SCTTC-20030-T	200	3.000	400-3	
RCF-SCTTC-20045-T	200	4.500	400-3	
RCF-SCTC-25010-M	250	1.000	230-1	
RCF-SCTC-25020-M	250	2.000	230-1	
RCF-SCTTC-25030-M	250	3.000	230-1	
RCF-SCTTC-25030-T	250	3.000	400-3	
RCF-SCTTC-25045-T	250	4.500	400-3	
RCF-SCTTC-25060-T	250	6.000	400-3	
RCF-SCTTC-25090-T	250	9.000	400-3	
RCF-SCTTC-31530-M	315	3.000	230-1	
RCF-SCTTC-31530-T	315	3.000	400-3	
RCF-SCTTC-31545-T	315	4.500	400-3	
RCF-SCTTC-31560-T	315	6.000	400-3	
RCF-SCTTC-31590-T	315	9.000	400-3	
RCF-SCTTC-315120-T	315	12.000	400-3	
RCF-SCTTC-40030-M	400	3.000	230-1	
RCF-SCTTC-40060-T	400	6.000	400-3	
RCF-SCTTC-40090-T	400	9.000	400-3	
RCF-SCTTC-400120-T	400	12.000	400-3	

## **HEATERS RC SERIES 02/08**

### **RCC-SCT**

TUBULAR resistances Heaters, assembled on round duct complete with:

- automatic reset thermal protector
- manual reset thermal protector
- command relay
- terminal board
- cable glands.

### **RCC-SC**

Same as RCC-SCT without command relay.



<b>TUBULAR RESISTANCES DUCT HEATERS RCC-SCT-....- SERIES</b>				
Code	Diameter (mm)	Power (W)	Tension (V)	NOTE
RCC-SC-15007-M	150	750	230-1	
RCC-SC-15015-M	150	1.500	230-1	
RCC-SC-15022-M	150	2.250	230-1	
RCC-SC-15022-T	150	2.250	400-3	
RCC-SC-16007-M	160	750	230-1	
RCC-SC-16015-M	160	1.500	230-1	
RCC-SC-16022-M	160	2.250	230-1	
RCC-SC-16022-T	160	2.250	400-3	
RCC-SC-20010-M	200	1.000	230-1	
RCC-SC-20020-M	200	2.000	230-1	
RCC-SCT-20030-M	200	3.000	230-1	
RCC-SCT-20030-T	200	3.000	400-3	
RCC-SCT-20045-T	200	4.500	400-3	
RCC-SC-25010-M	250	1.000	230-1	
RCC-SC-25020-M	250	2.000	230-1	
RCC-SCT-25030-M	250	3.000	230-1	
RCC-SCT-25030-T	250	3.000	400-3	
RCC-SCT-25045-T	200	4.500	400-3	
RCC-SC-31520-M	315	2.000	230-1	
RCC-SCT-31530-M	315	3.000	230-1	
RCC-SCT-31540-M	315	4.000	230-1	
RCC-SCT-31560-T	315	6.000	400-3	
RCC-SCT-31590-T	315	9.000	400-3	

## **HEATERS RC SERIES 02/08**

### **RCC-SCTTC**

TUBULAR resistances Heaters, assembled on round duct complete with:

- automatic reset thermal protector
- manual reset thermal protector
- command relay
- terminal board
- cable glands
- duct adjustable thermostat.



### **RCC-SCTC**

Same at RCC-SCTTC without command relay.

<b>TUBULAR RESISTANCES DUCT HEATERS RCC-SCT-....- SERIES</b>					
Code	Diameter (mm)	Power (W)	Tension (V)	NOTE	
RCC-SCTC-15007-M	150	750	230-1		
RCC-SCTC-15015-M	150	1.500	230-1		
RCC-SCTC-15022-M	150	2.250	230-1		
RCC-SCTC-15022-T	150	2.250	400-3		
RCC-SCTC-16007-M	160	750	230-1		
RCC-SCTC-16015-M	160	1.500	230-1		
RCC-SCTC-16022-M	160	2.250	230-1		
RCC-SCTC-16022-T	160	2.250	400-3		
RCC-SCTC-20010-M	200	1.000	230-1		
RCC-SCTC-20020-M	200	2.000	230-1		
RCC-SCTTC-20030-M	200	3.000	230-1		
RCC-SCTTC-20030-T	200	3.000	400-3		
RCC-SCTTC-20045-T	200	4.500	400-3		
RCC-SCTC-25010-M	250	1.000	230-1		
RCC-SCTC-25020-M	250	2.000	230-1		
RCC-SCTTC-25030-M	250	3.000	230-1		
RCC-SCTTC-25030-T	250	3.000	400-3		
RCC-SCTTC-25045-T	200	4.500	400-3		
RCC-SCTC-31520-M	315	2.000	230-1		
RCC-SCTTC-31530-M	315	3.000	230-1		
RCC-SCTTC-31540-M	315	4.000	230-1		
RCC-SCTTC-31560-T	315	6.000	400-3		
RCC-SCTTC-31590-T	315	9.000	400-3		

## **HEATERS RC SERIES 02/08**

### **RCFE-SCT**

WIRE resistances Heaters, assembled on round duct complete with:

- automatic reset thermal protector
- manual reset thermal protector
- reset push button for manual reset thermal protector
- command relay
- terminal board
- electronic temperature control
- cable glands



### **Pressostat optional.**

### **RCFE-SC**

Same at RCFE-SCT without command relay.

<b>WIRE RESISTANCES DUCT HEATERS RCFE-SCT-..... SERIES</b>				
Code	Diameter (mm)	Power (W)	Tension (V)	NOTE
RCFE-SC-20010-M	200	1.000	230-1	
RCFE-SC-20020-M	200	2.000	230-1	
RCFE-SCT-20030-M	200	3.000	230-1	
RCFE-SCT-20030-T	200	3.000	400-3	
RCFE-SCT-20045-T	200	4.500	400-3	
RCFE-SC-25010-M	250	1.000	230-1	
RCFE-SC-25020-M	250	2.000	230-1	
RCFE-SCT-25030-M	250	3.000	230-1	
RCFE-SCT-25030-T	250	3.000	400-3	
RCFE-SCT-25045-T	250	4.500	400-3	
RCFE-SCT-25060-T	250	6.000	400-3	
RCFE-SCT-25090-T	250	9.000	400-3	
RCFE-SCT-31530-M	315	3.000	230-1	
RCFE-SCT-31530-T	315	3.000	400-3	
RCFE-SCT-31545-T	315	4.500	400-3	
RCFE-SCT-31560-T	315	6.000	400-3	
RCFE-SCT-31590-T	315	9.000	400-3	
RCFE-SCT-315120-T	315	12.000	400-3	
RCFE-SCT-40030-M	400	3.000	230-1	
RCFE-SCT-40060-T	400	6.000	400-3	
RCFE-SCT-40090-T	400	9.000	400-3	
RCFE-SCT-400120-T	400	12.000	400-3	

## **HEATERS RC SERIES 02/08**

### **RCCE-SCT**

Tubular resistances Heaters, assembled on round duct complete with:

- automatic reset thermal protector
- manual reset thermal protector
- reset push button for manual reset thermal protector
- command relay
- terminal board
- electronic temperature control
- cable glands



**Pressostat optional.**

### **RCCE-SC**

Same at RCCE-SCT without command relay.

<b>TUBULAR RESISTANCES DUCT HEATERS RCCE-SCT-....- SERIES</b>				
Code	Diameter (mm)	Power (W)	Tension (V)	NOTE
RCCE-SC-15007-M	150	750	230-1	
RCCE-SC-15015-M	150	1.500	230-1	
RCCE-SC-15022-M	150	2.250	230-1	
RCCE-SC-15022-T	150	2.250	400-3	
RCCE-SC-16007-M	160	750	230-1	
RCCE-SC-16015-M	160	1.500	230-1	
RCCE-SC-16022-M	160	2.250	230-1	
RCCE-SC-16022-T	160	2.250	400-3	
RCCE-SC-20010-M	200	1.000	230-1	
RCCE-SC-20020-M	200	2.000	230-1	
RCCE-SCT-20030-M	200	3.000	230-1	
RCCE-SCT-20030-T	200	3.000	400-3	
RCCE-SCT-20045-T	200	4.500	400-3	
RCCE-SC-25010-M	250	1.000	230-1	
RCCE-SC-25020-M	250	2.000	230-1	
RCCE-SCT-25030-M	250	3.000	230-1	
RCCE-SCT-25030-T	250	3.000	400-3	
RCCE-SCT-25045-T	250	4.500	400-3	
RCCE-SC-31520-M	315	2.000	230-1	
RCCE-SCT-31530-M	315	3.000	230-1	
RCCE-SCT-31540-M	315	4.000	230-1	
RCCE-SCT-31530-T	315	3.000	400-3	
RCCE-SCT-31560-M	315	6.000	400-3	

**HEATERS RC SERIES 02/08**

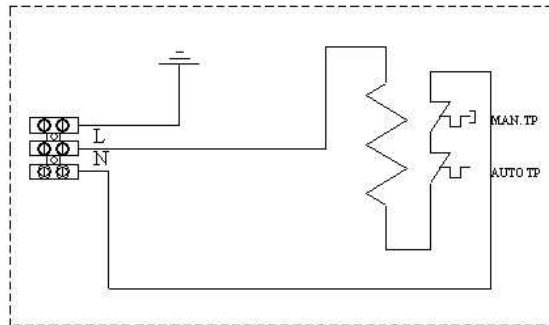


OPTIONALS	
DUCT ADJUSTABLE THERMOSTAT -35+35°C	
DUCT ADJUSTABLE THERMOSTAT -35+35°C ASSEMBLED ON	
TEMPERATURE ELECTRONIC CONTROL	
TEMPERATURE ELECTRONIC CONTROL ASSEMBLED ON	
ADJUSTABLE PRESSOSTAT 0,2-3Pa	
ADJUSTABLE PRESSOSTAT 0,2-3Pa ASSEMBLED ON	

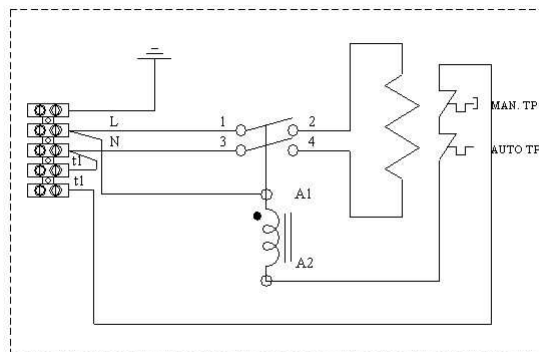
**HEATERS RC SERIES 02/08**

ELECTRIC PLAN

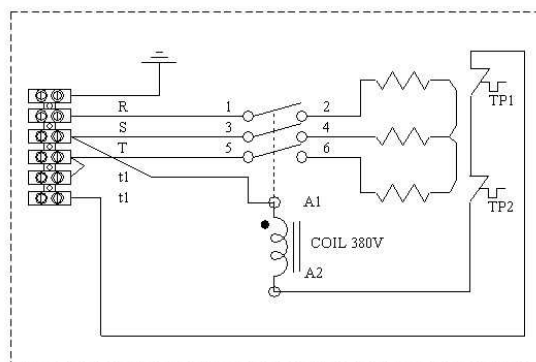
RCF-SC-.....-M  
 RCC-SC-.....-M



RCF-SCT-.....-M  
 RCC-SCT-.....-M



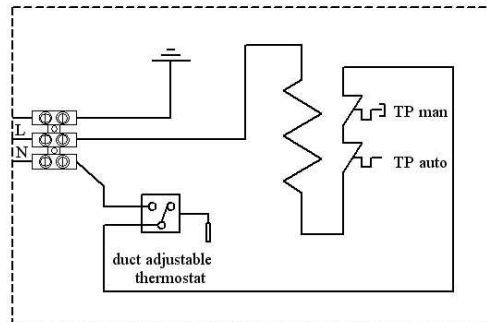
RCF-SCT-.....-T  
 RCC-SCT-.....-T



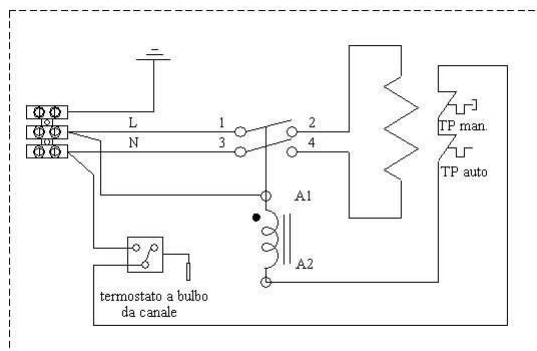


**HEATERS RC SERIES 02/08**

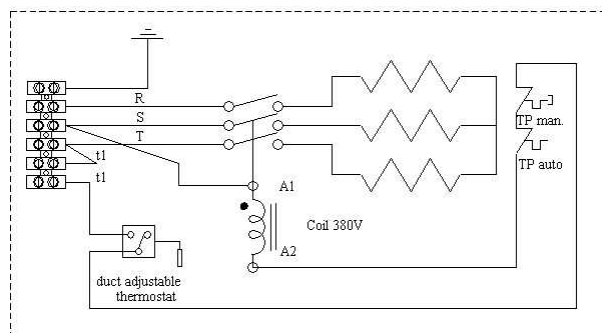
RCF-SCTC.....-M  
 RCC-SCTC.....-M



RCF-SCTTC.....-M  
 RCC-SCTTC.....-M

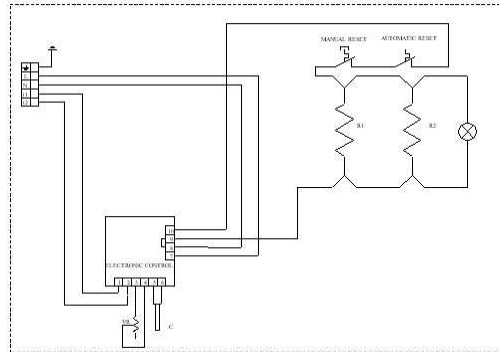


RCF-SCTTC.....-T  
 RCC-SCTTC.....-T

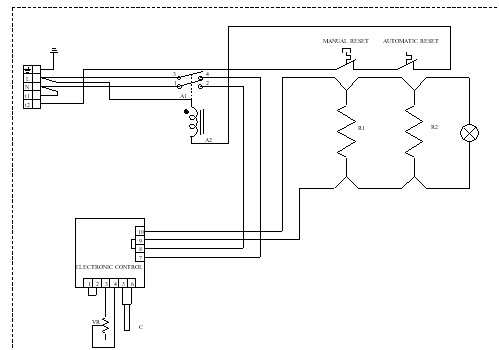


**HEATERS RC SERIES 02/08**

RCFE-SC-.....-M  
 RCCE-SC-.....-M



RCFE-SCT-.....-M  
 RCCE-SCT-.....-M



RCFE-SCT-.....-T  
 RCCE-SCT-.....-T

