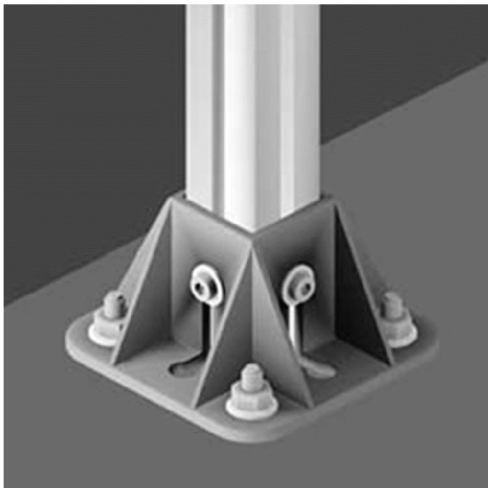


## Foot 45 GD

Part. N° 21.1731



### APPLICATIONS

- Use with profiles 45x45mm
- Securing posts for machine guards, barrier guards and tables



### TECHN. DATA / ITEMS SUPPLIED



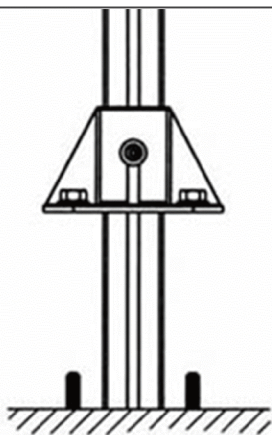
- Cast aluminum, powder coated gray

- 4 M8x20 socket head cap screws

- 4 M8 square nuts with position fixing

- 4 M8 washers

- Weight - .587 kg



### ASSEMBLY

- Insert profile into foot

- Press in square nuts & tighten screws

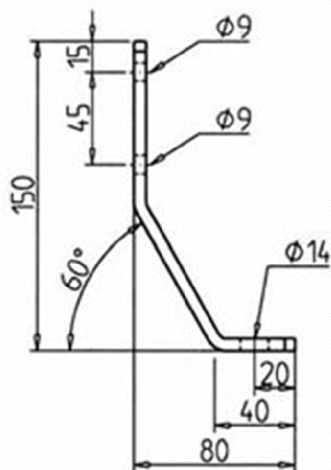
- Center 4 mounting holes for floor anchors are  $\varnothing 14\text{mm}$



EL

News

Ελεγκτική  
**Electrolux**  
Macedonia  
Palenzo



#### ASSEMBLY

- Mount to t-slot as shown above with qty 2, M8x20 SHCS 21.1202 & 2 M8 Square Nuts With Position Fixing 21.1351/2 (both sold separately)

- Fasten to floor with with floor anchor 21.1115



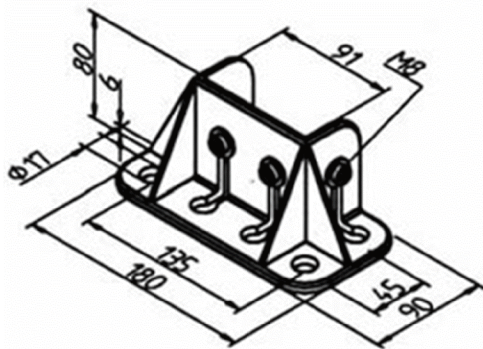
## Foot 90 GD

Part. N° 21.1737



### APPLICATIONS

- Use with profiles with at least one 90mm side
- For 90x90 & 90x180, 2 mounting feet can be used



### TECHN. DATA / ITEMS SUPPLIED



- Cast aluminum, powder coated gray

---

- 4 M8x20 socket head cap screws

---

- 4 M8 square nuts with position fixing

---

- 4 M8 washers

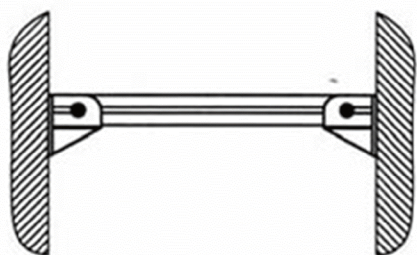
---

- Floor anchors sold separately

---

- Weight - .465 kg

---



### ASSEMBLY

- Insert profile into foot

---

- Press in square nuts & tighten screws

---

- All 6 holes for floor anchor are  $\varnothing$ 17mm

---



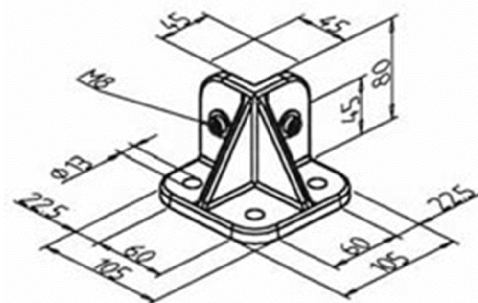
## Foot 45 GD S

Part. N° 21.1723



### APPLICATIONS

- For use with all profiles 45x45 and larger
- Securing posts for machine guards, barrier guards and tables to floor or wall
- Corner posts or outside edges of an enclosure





TECHN. DATA / ITEMS SUPPLIED

- Cast aluminum, powder coated gray

---

- 2 M8x20 socket head cap screws

---

- 2 M8 square nuts with position fixing

---

- 2 M8 washers

---

- Floor anchors sold separately

---

- Weight - .499 kg



ASSEMBLY

- Insert profile into foot

---

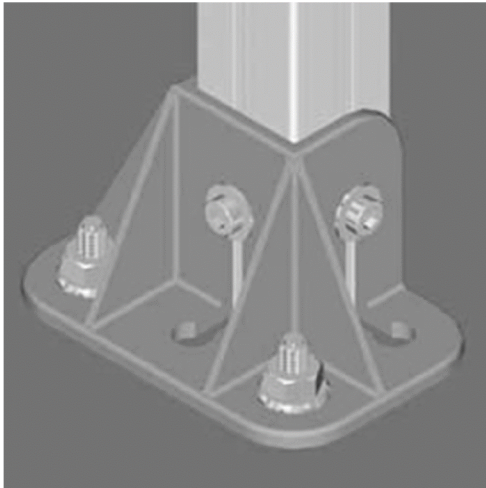
- Press in square nuts & tighten screws





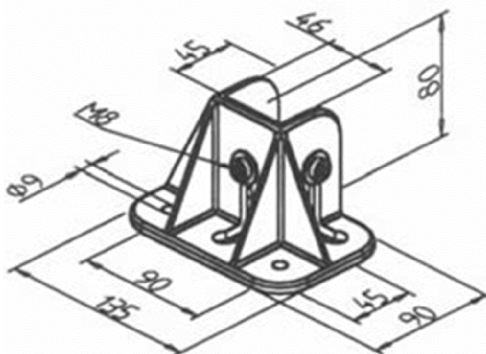
# Foot 45 GD Open

Part. N° 21.1738



## APPLICATIONS

- For use with all profiles with a 45mm side
- Securing posts for machine guards, barrier guards and tables to the floor
- Use for door posts to avoid obstructing the entry way





TECHN. DATA / ITEMS SUPPLIED

- Cast aluminum, powder coated gray

---

- 3 M8x20 socket head cap screws

---

- 3 M8 square nuts with position fixing

---

- 3 M8 washers

---

- Floor anchors sold separately

---

- Weight - .356 kg



ASSEMBLY

- Insert profile into foot

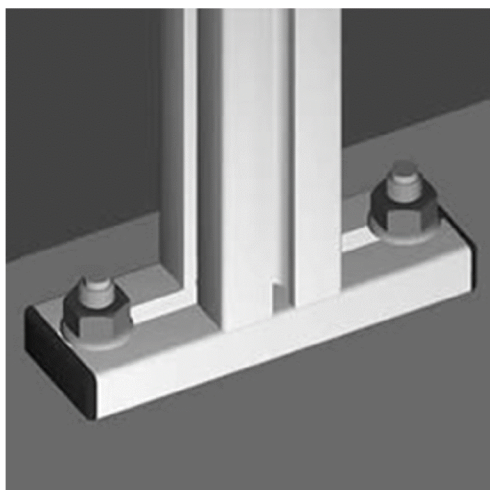
---

- Press in square nuts & tighten screws



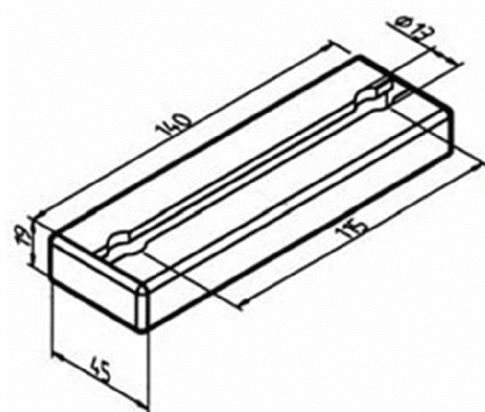
## Floor Mounting Plate 45

Part. N° 21.1730



### APPLICATIONS

- Attaching posts to floor for machine guards & barrier or perimeter guards



### TECHN. DATA / ITEMS SUPPLIED

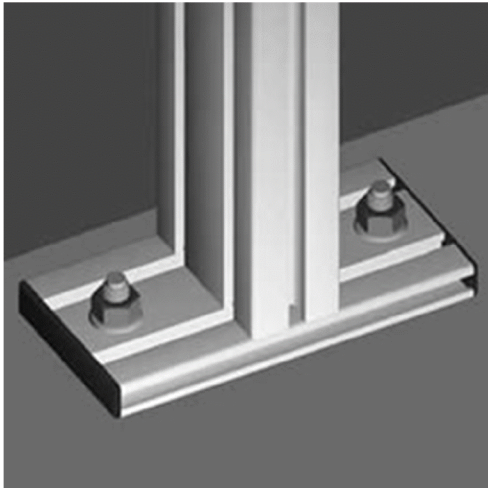
- Profile 45x19 L = 140mm





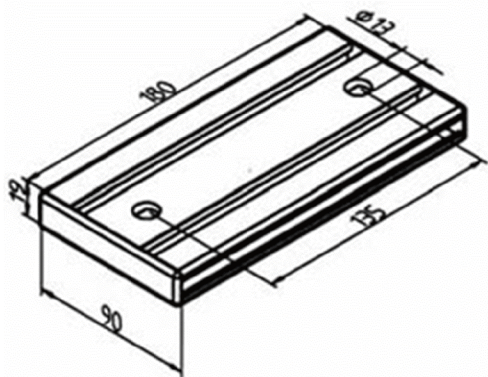
# Floor Mounting Plate 45/90

Part. N° 21.1732



## APPLICATIONS

- Attaching posts made from 45x45 or 45x90 to floor for machine guards & barrier or perimeter guards



## TECHN. DATA / ITEMS SUPPLIED

- Profile 90 x 19 L = 180mm



- 2 gray end caps

---

- Hardware to fasten to post & floor sold separately

---

- Weight - .330 kg

---

### ASSEMBLY

- Install Power-Lock on post & slide it into t-slot of floor mounting plate

---

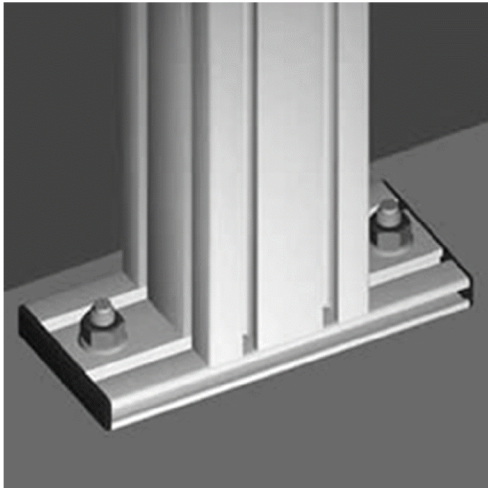
- Fasten to floor in two places using floor anchor 10 or equivalent

---



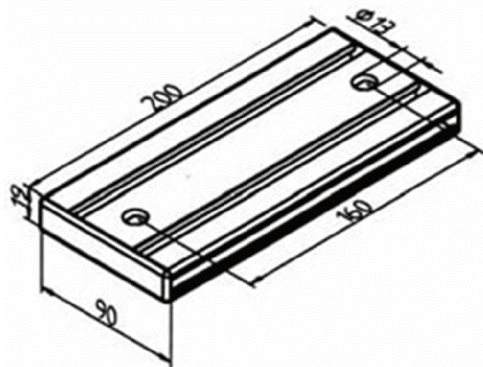
## Floor Mounting Plate 90

Part. N° 21.1733



### APPLICATIONS

- Attaching posts made from 45x90 or 90x90 to floor for machine guards & barrier or perimeter guards



### TECHN. DATA / ITEMS SUPPLIED

- Profile 90 x 19 L = 200mm

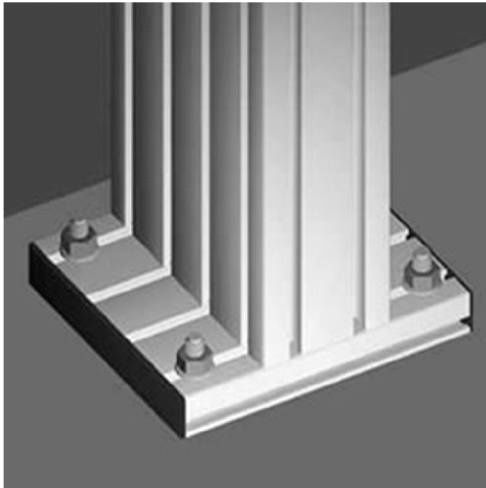






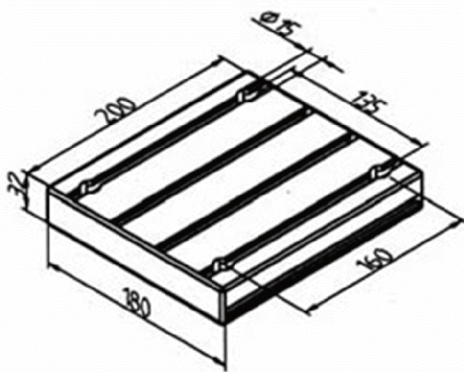
# Floor Mounting Plate 90x180

Part. N° 21.1734



## APPLICATIONS

- Attaching posts made from 90x90 and 90x180 to floor for machine guards & barrier or perimeter guards



## TECHN. DATA / ITEMS SUPPLIED

- Profile 32x180 L = 200mm



- 2 gray end caps

---

- Hardware to fasten to post & floor sold separately

---

- Weight - 2.030 kg

---

### ASSEMBLY

- Install Power-Locks on post & slide it into t-slots of floor mounting plate

---

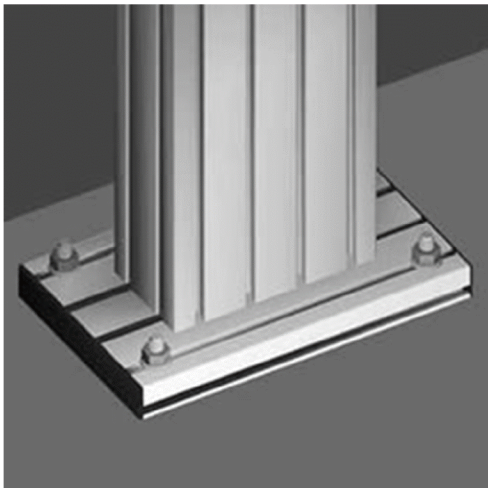
- Fasten to floor in two places using floor anchor 12 or equivalent

---



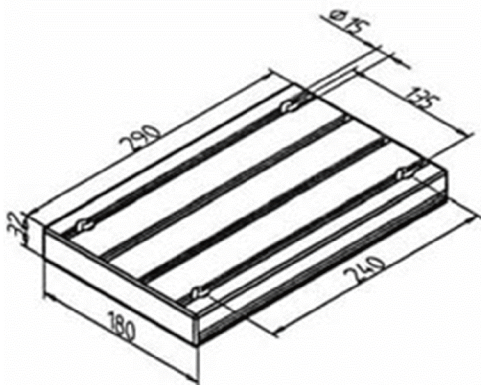
# Floor Mounting Plate 180

Part. N° 21.1735



## APPLICATIONS

- Floor mounting of 90x180 posts lengthwise



## TECHN. DATA / ITEMS SUPPLIED

- Profile 32x180 L = 290mm



- 2 gray end caps

---

- Hardware to fasten to post & floor sold separately

---

- Weight - 2.80 kg

---

### ASSEMBLY

- Install Power-Locks on 4 outer holes of 90x180 facing 90mm side

---

- Fasten to floor in two places using floor anchor 12 or equivalent

---

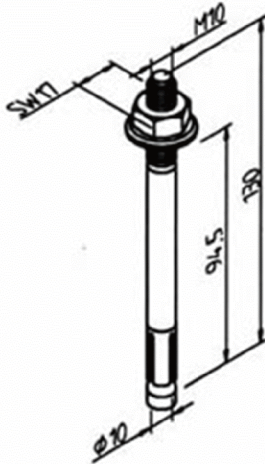
## Floor Anchor 10

Part. N° 21.1082



### APPLICATIONS

- Attachment of floor mounting hardware to concrete floors



### TECHN. DATA / ITEMS SUPPLIED

- Steel Ø10mm anchor, zinc plated



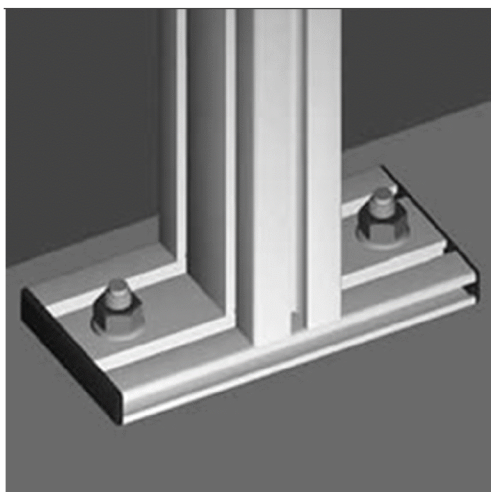
- M10 hex nut

---

- M10 round washer

---

- Weight - .084 kg



#### ASSEMBLY

- Drill hole in floor, drive anchor in & lock with supplied M10 hex nut

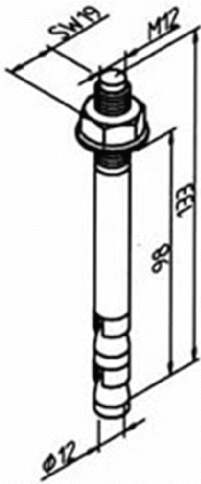
## Floor Anchor 12

Part. N° 21.1115



### APPLICATIONS

- Attachment of floor mounting hardware to concrete floors



### TECHN. DATA / ITEMS SUPPLIED

- Steel  $\varnothing 12$ mm anchor, zinc plated



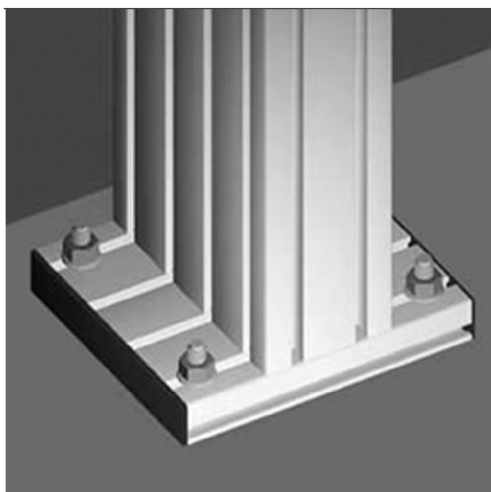
- M12 hex nut

---

- M12 round washer

---

- Weight - .084 kg



#### ASSEMBLY

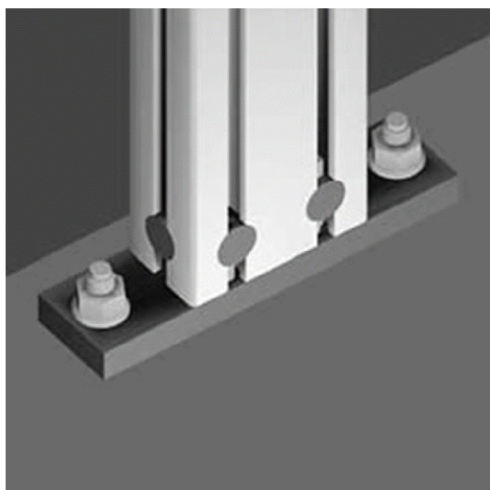
- Drill hole in floor, drive anchor in & lock with supplied M12 hex nut





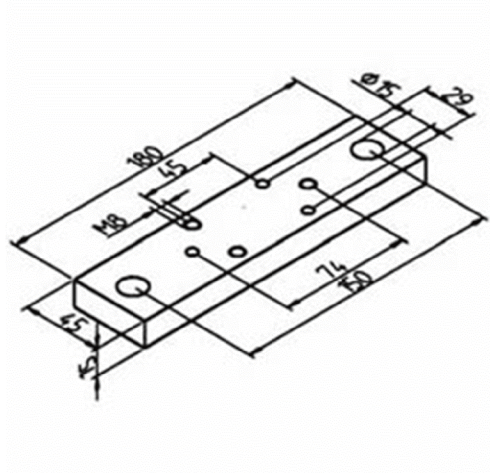
# Leveling Plate 45

Part. N° 21.1053



## APPLICATIONS

- Precise leveling of vertical profiles
- Particularly suited for vertical sliding door posts



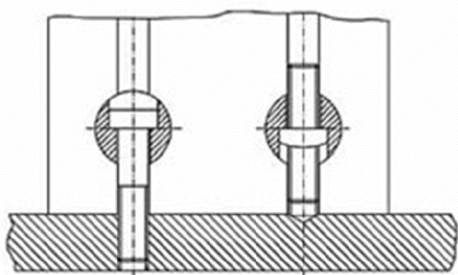
## TECHN. DATA / ITEMS SUPPLIED



- Aluminum plate 15mm thick, anodized

- Bolt fastener 20s & leveling elements sold separately

- Weight - .150 kg



#### ASSEMBLY

- Fasten leveling plate with floor anchors to floor or wall

-  $\varnothing 20$  bore 6 plcs on 45x90 profile, 22.5mm from one end for bolt fastener 20 & leveling element

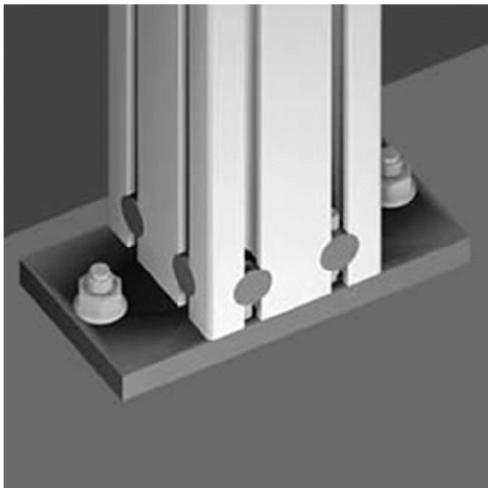
- Insert 3 bolt fasteners in & pre tighten

- Insert 3 leveling elements and adjust set screws to align profile



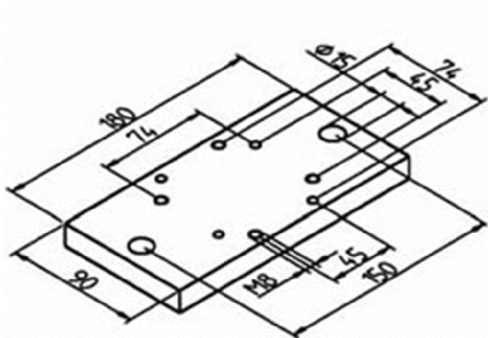
# Leveling Plate 90

Part. N° 21.1052



## APPLICATIONS

- Precise leveling of 90x90 vertical profiles
- Particularly suited for vertical sliding door posts



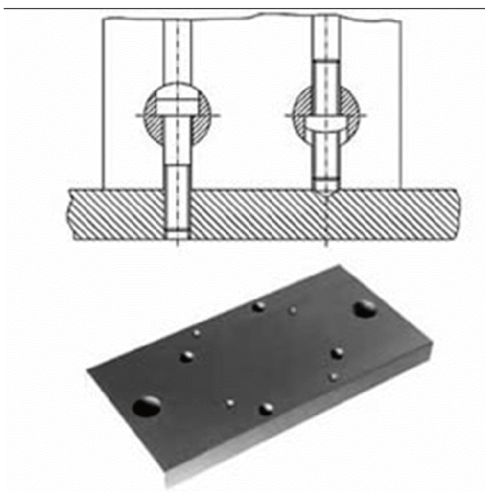
## TECHN. DATA / ITEMS SUPPLIED



- Aluminum plate 15mm thick, anodized

- Bolt fastener 20s & leveling elements sold separately

- Weight - .3 kg



#### ASSEMBLY

- Fasten leveling plate with floor anchors to floor or wall

-  $\varnothing 20$  bore 8 plcs on 90x90 profile, 22.5mm from one end for bolt fastener 20s & leveling elements

- Insert 4 bolt fasteners in & pre tighten

- Insert 4 leveling elements and adjust set screws to align profile



# Leveling Element

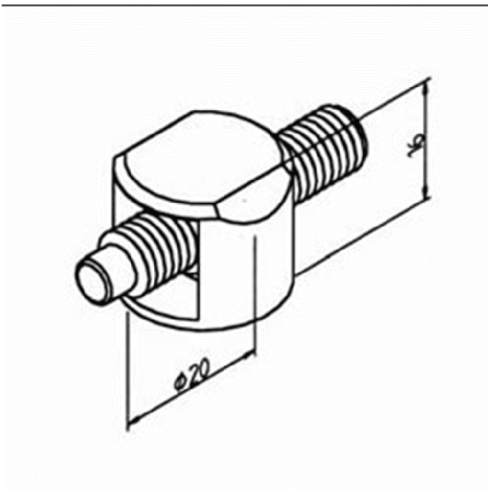
Part. N° 21.1054

CAD DOWNLOAD ► 3D STEP | Solidworks 2008 | Inventor 2009



## APPLICATIONS

- Use as jacking screw to align profiles with leveling plates 45 & 90



## TECHN. DATA / ITEMS SUPPLIED

- Steel barrel, zinc plated



- M8 square nut

- M8x40 set screw

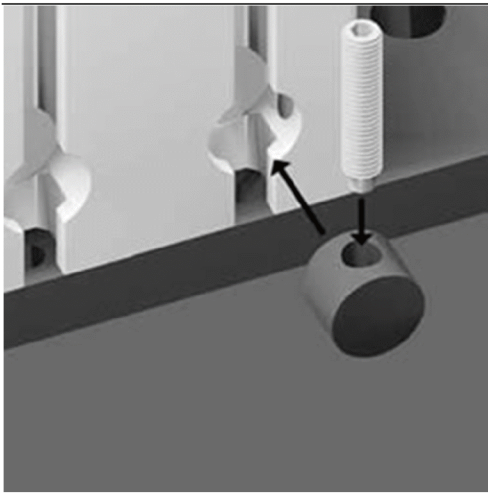
-

-

-

- Weight

- .027kg



#### ASSEMBLY

- Install with M8 nut facing down

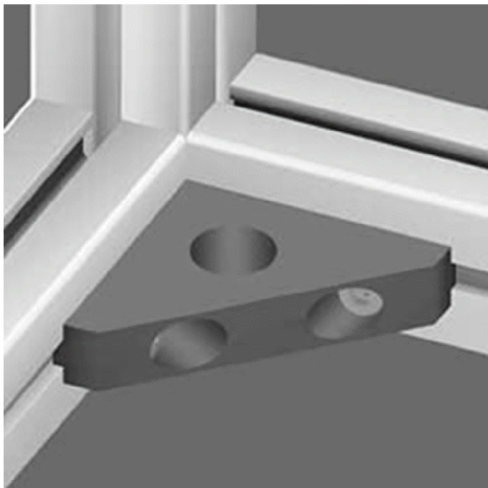
- Insert into  $\varnothing 20\text{mm}$  bore, 16mm deep

- Tighten set screw with ball nosed 4mm hex key or L hex key



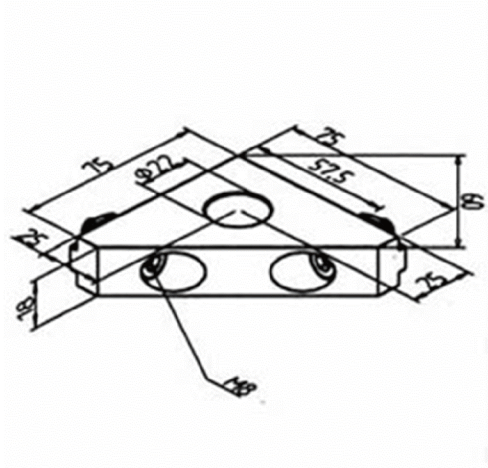
## Corner 90

Part. N° 21.1783



### APPLICATIONS

- Light support, braces
- Light constructions
- Panel frames
- Shelves

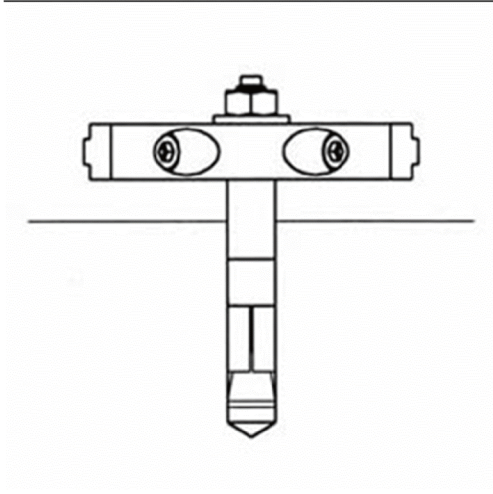




TECHN. DATA / ITEMS SUPPLIED

- Triangular aluminum plate, anodized

- Weight - kg



ASSEMBLY

- MiniTec power-lock fastener

- Angle 20

- Bolt-fastener 15

- Screw Connection





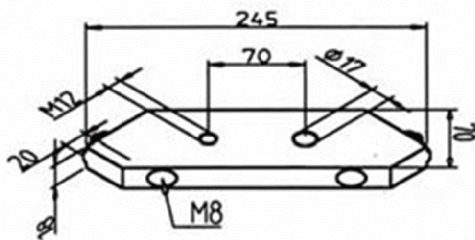
## Corner 180

Part. N° 21.1784



### APPLICATIONS

- Mounting machine guards, enclosures and tables to floor
- Tapped hole can be used for a leveling element
- Heavy duty strut for strengthening a joint





TECHN. DATA / ITEMS SUPPLIED

- Aluminum plate, anodized

---

- 2 M8x40 socket head cap screws

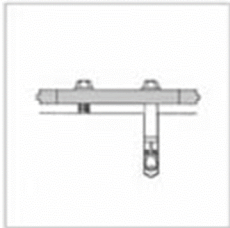
---

- 2 M8 square nuts

---

- Weight - .690 kg

---

ASSEMBLY

- Fasten to t-slots with supplied M8 hardware

---

- Fasten lag bolt to floor thru 17mm hole (sold separately)

---

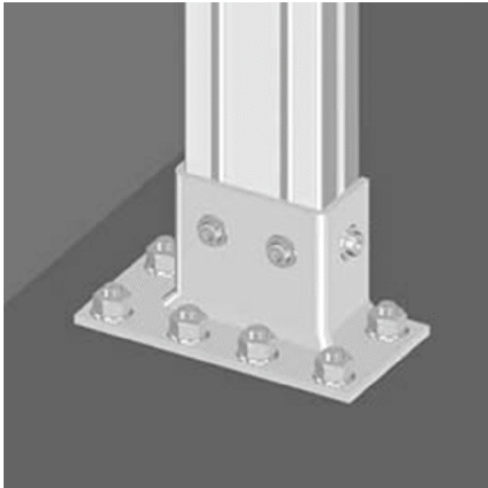
- Use M12x1.75 screw or M12 leveling pad (sold separately)

---



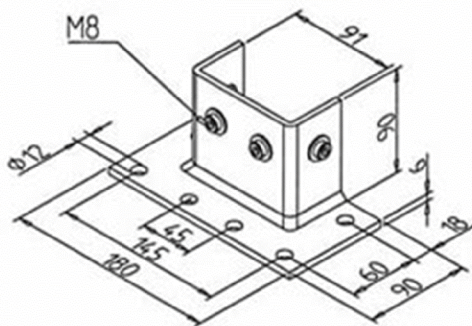
# Foot 90 S

Part. N° 21.1707



## APPLICATIONS

- Use with any profile with a 90mm face
- Mounting to the floor or wall of large machine guards and barrier enclosures



## TECHN. DATA / ITEMS SUPPLIED



- Steel foot, zinc plated

---

- 4 M8x20 socket head cap screws

---

- 4 M8 square nuts

---

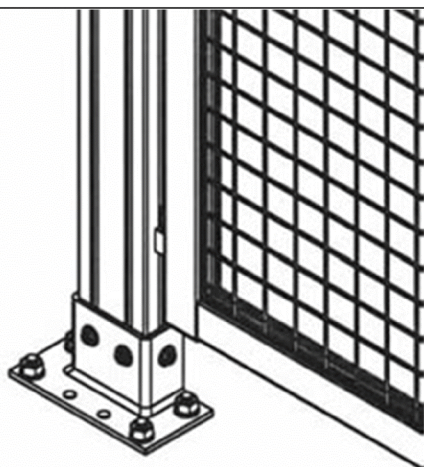
- 4 M8 round washers

---

- Floor anchors sold separately

---

- Weight - 1.438 kg



### ASSEMBLY

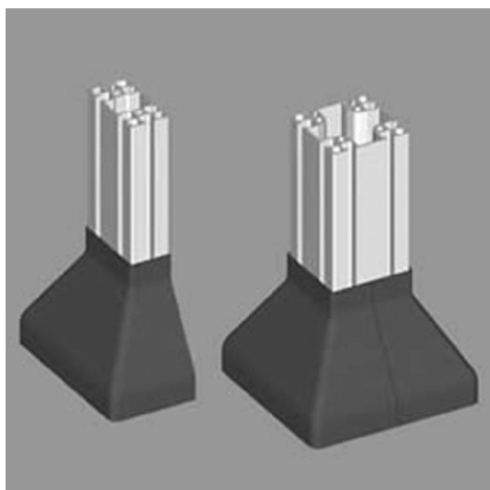
- Fasten to the profile with supplied M8 hardware

---

- Fasten to the floor with lag bolts

## Cover Foot GD

Part. N° 22.1025/1



### APPLICATIONS

- Cosmetic or dust cover for:

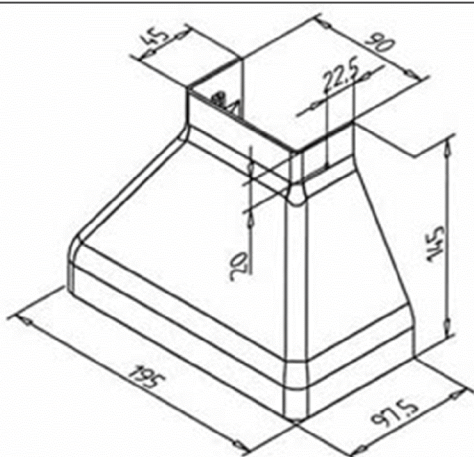
---

- Foot 90 GD 21.1737

---

- Foot 90 S 21.1707

---



EL

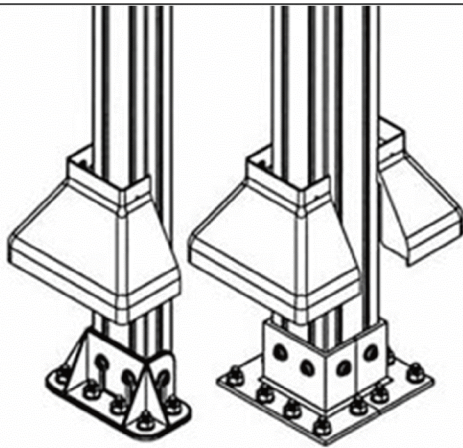
News

Electrolux  
Macedonia  
Palenzo

#### TECHN. DATA / ITEMS SUPPLIED

- ABS gray plastic

- Weight - .131 kg



#### ASSEMBLY

- Expand cover manually and snap into t-slots of profile

- Push down over foot

- If additional fixing is desired, drill  $\varnothing 2.5\text{mm}$  dia hole on mark over t-slot & insert self tapping screw 3.4x16