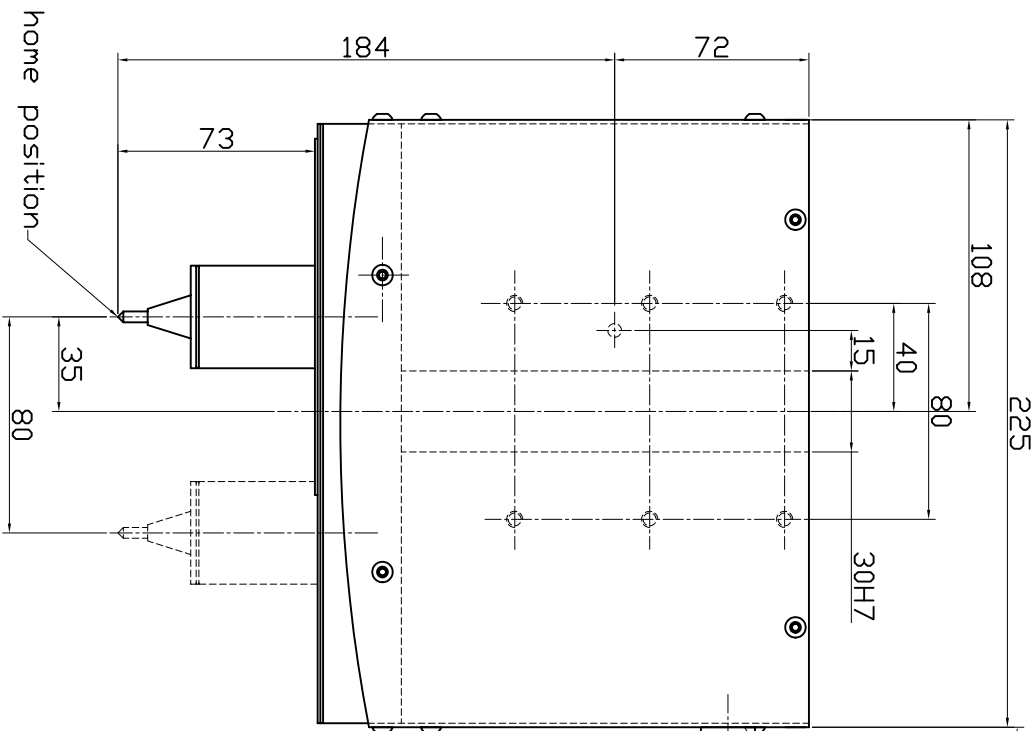
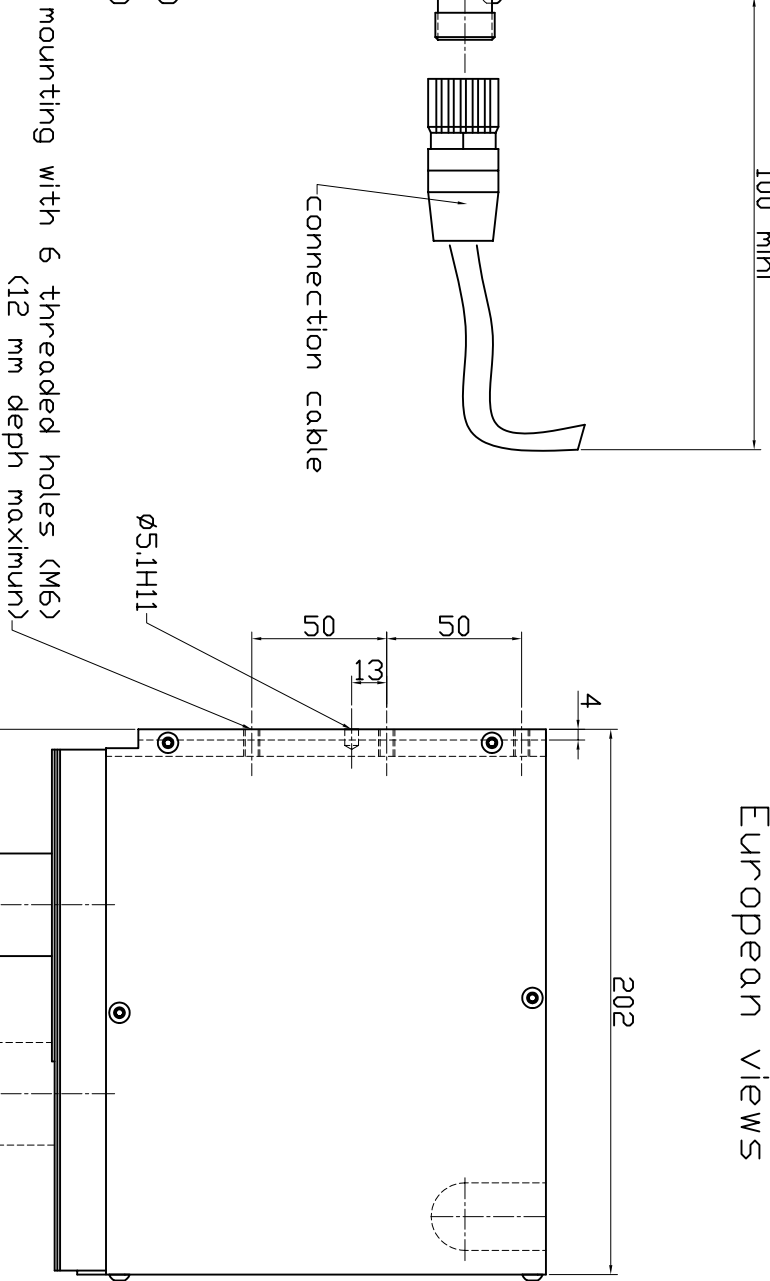


connection space requirement
100 mini



European views



Characteristics :

- marking window : 80 x 70 mm
- weight : 9,5 kg
- positioning by slot 30H7 + pinhole $\phi 5.1H11$
- mounting with 6 threaded holes (M6)
- protective metallic shutters

A	GS	16/12/2002	creation	GB
Rev. :	Designer :	Date :	Modification :	Approved :
Treatment :				
<p>SIC MARKING 13 route de Limonest 69380 Lissieu - FRANCE Tél:(33) 04.72.54.80.00 Fax:(33) 04.78.47.39.40 www.SIC-MARKING.com</p>				
Material :		Qty :	Gen. tol. :	
Assembly : i81		Qty :	Gen. tol. :	
Name : general layout		Qty :	Gen. tol. :	
No 1.20.003		Qty :	Gen. tol. :	