

VIDEOJET 7210 / 7310 FIBRE LASER

Small in size, high in quality and low in maintenance. The new Videojet 7210 (10 watt) and 7310 (20 watt) pulsed fibre lasers are the most compact, versatile and low maintenance solid-state marking systems available.



Perfect for direct parts marking (DPM) and Unique Identification (UID) applications on metals, plastics and other hard to mark materials in the aerospace, automotive, electronics, medical devices and tools market.

VIDEOJET 7210 / 7310 FIBRE LASER



MARKING FORMATS

Standard fonts (Windows TrueType/TTF; PostScript/PFB; Open Type/OTF) and individual fonts, such as high-speed or OCR Machine-readable codes: ID-MATRIX; ECC plain; BAR CODES/ -stacked omnidirectional/ -limited [CCA/B]/expanded Graphics/ graphic components, logos, symbols, etc. (dxf, jpg, ai)

LASER SOURCE

Ytterbium (Yb) pulsed fibre laser
Power classes 10 and 20 Watt
Central emission wavelength: 1,060 - 1,070nm (1.06-1.07um)

LASER BEAM DEFLECTION

Digital high-speed galvanometer scan

LASER BEAM ORIENTATION

90-degree (standard) and straight-out (option)

FOCUSING (PRECISION OPTICS)

Focal lengths 6mm marking head: $f = 50/100/165/258\text{mm}$
Focal lengths 10mm marking head: $f = 100/163/254/420\text{mm}$

USER INTERFACES

Integrated keypad
Handheld control unit; configurable in 16 languages (option)
Smart Graph software on PC; configurable in 20 languages (option)

SMART GRAPH

ActiveX software interface for integration to operation software

SMART GRAPH

Graphics-orientated user interface under Windows XP/Vista for intuitive and fast preparation of complete marking jobs
Text / data / graphics / parameter editor
Easy access to standard CAD and graphics programs using import functions for file formats: dxf, jog, ai, etc.
WYSIWYG / Various password-protected security levels

COMMUNICATION

Ethernet (TCP/IP, 100Mbit LAN), Rs232, digital I/Os
Inputs for encoders and product detector triggers
I/Os for start, stop, external error, job select, trigger, trigger enable, encoder; system ready, ready to mark, marking, shutter closed, error, bad, good signals and machine/operator interlocks
Customer-specific solutions

ELECTRICAL REQUIREMENTS

100 - 240 V (autorange), 250 VA, 1 PH, 50/60 Hz

ENVIRONMENTAL PROTECTION

IP54S, air cooled

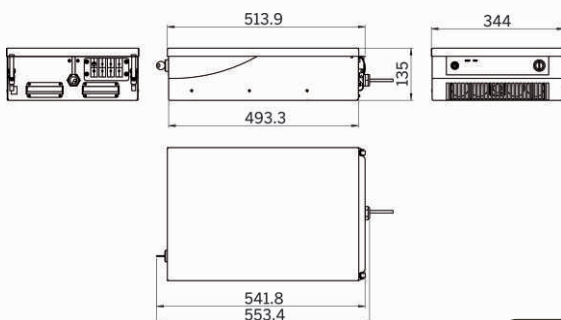
TEMPERATURE / HUMIDITY RANGE

5 - 40c (40-105F) / 10 - 90 %, non-condensing

WEIGHT

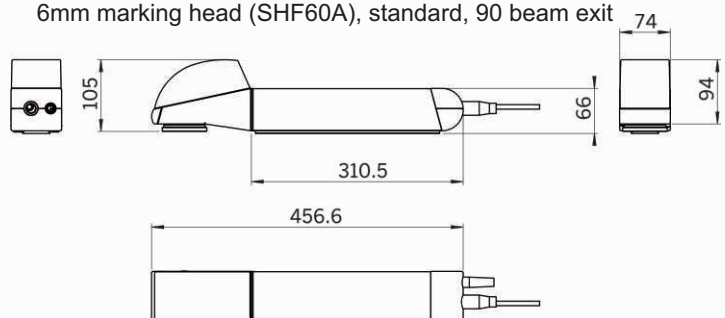
Supply unit - 17kg / 37lbs
Marking unit 6mm - 4.4kg / 9.7lbs
Marking unit 10mm - 6kg / 13lbs

Supply Unit Dimensions (all in mm)



Marking Unit Dimensions (all in mm)

6mm marking head (SHF60A), standard, 90 beam exit



INVISIBLE LASER RADIATION
AVOID EYE OR SKIN
EXPOSURE TO DIRECT OR
SCATTERED RADIATION

Contact UK Sales on +44 (0)870 240 5542
or email us at uksales@videojet.com