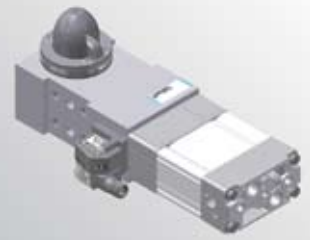


LSP50U

Pneumatic pin clamp



L	S	P	5	0	U	U	3	1	0	0	0	0
1	2	3		4	5	6	7	8	9			

1 Series	2 Version	3 Size
-----------------	------------------	---------------

LS = Pneumatic pin clamp

P = Pneumatic standard

50 = Ø 50 mm

4 Model	5 Sensing style	6 Pin diameter
----------------	------------------------	-----------------------

U = Orthogonal

U = Electronic 24 Vdc sensor with M12 swivel connector

2 = Ø 20 mm

3 = Ø 25 mm

4 = Ø 30 mm

5 = Ø 35 mm

7 Locating pin	8 Working height	9 Progressive numbering
-----------------------	-------------------------	--------------------------------

0 = Locating pin non included

1 = Locating pin included

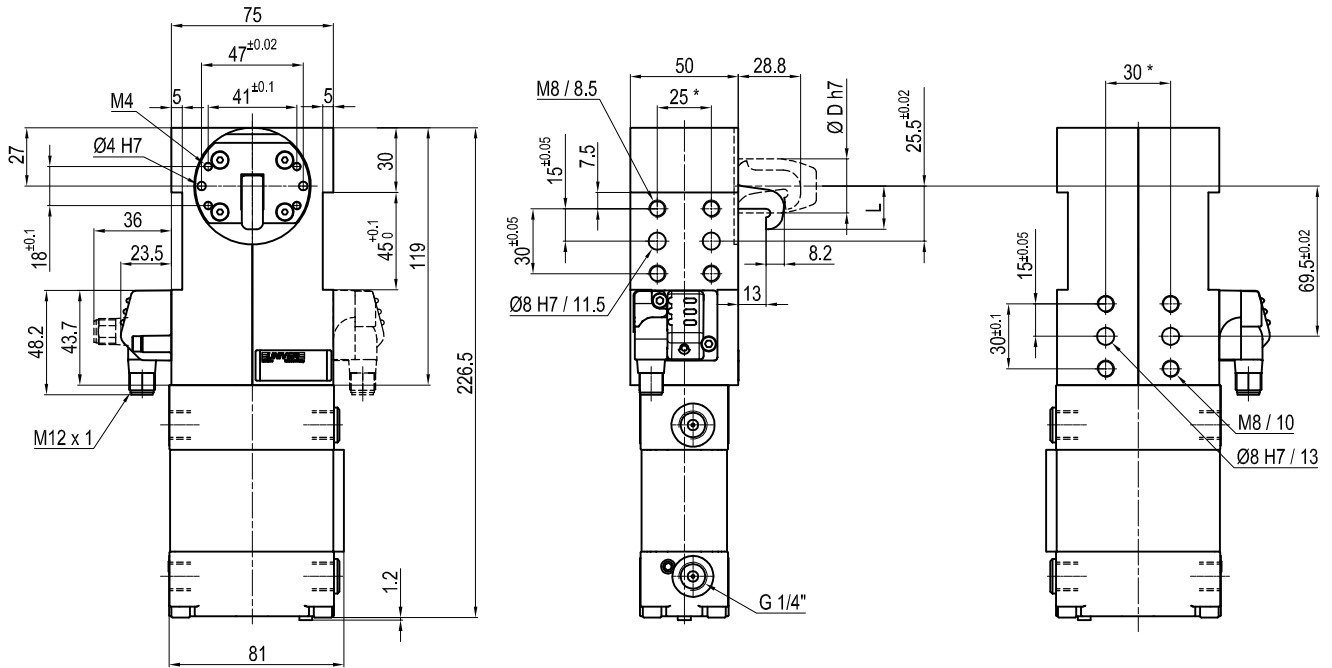
0 = Standard

Others upon request

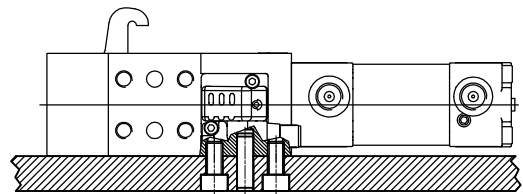
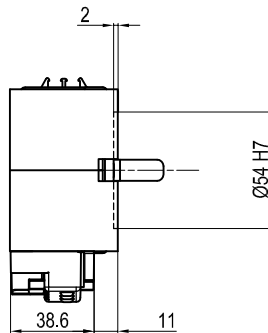
Progressive numbers for special products are assigned by the Sales Dept.



Pneumatic pin clamp



ØD	L
20	17,5
25	20
30	22,5
35	25



Bore Ø	Clamping force	Weight
50 mm	400 Kg	2.2 Kg

Min./Max. operating pressure: **0,4 / 0,8 MPa**

Operating temperature: **5° + 45° C**

Electronic 24 Vdc sensor with M12 swivel connector that can be orientated at 0° or 90°

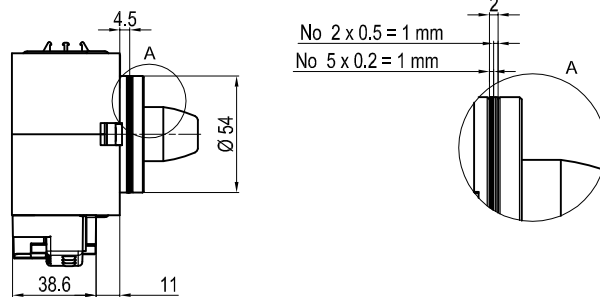
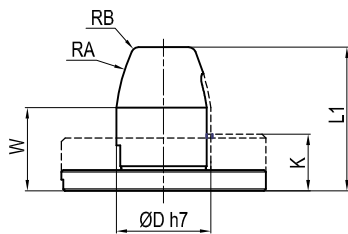
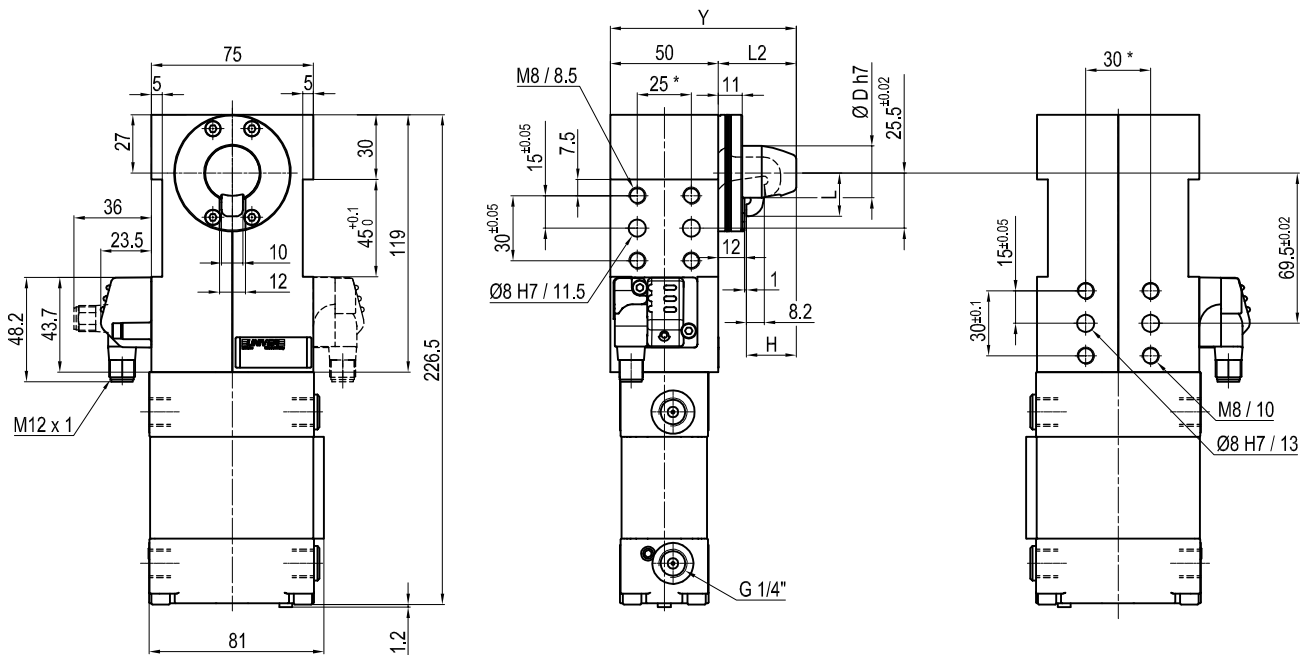
Protection Class: **IP 54**

Pneumatic ports on both sides

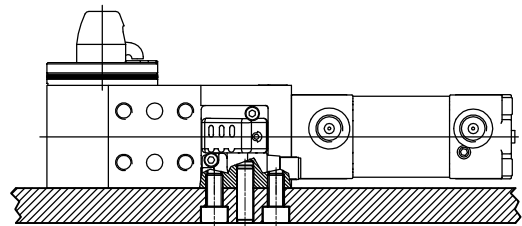
* : TOLERANCE BETWEEN DOWEL HOLES ± 0.02, TO SCREW HOLES ± 0.1
THE SENSOR CAN BE MOUNTED ON EITHER RIGHT OR LEFT SIDE

SUBJECT TO TECHNICAL MODIFICATIONS WITHOUT NOTICE

Pneumatic pin clamp



ØD	H	K	L	L1	L2	RA	RB	W	Y
20	23	14	17,5	38	36	70	2	22	86
25	23	14	20	38	36	55	2	22	86
30	30	14	22,5	45	42	33	2	22	92
35	30	14	25	45	42	28	2	22	92



Bore Ø	Clamping force	Weight
50 mm	400 Kg	2.2 Kg

Min./Max. operating pressure: **0,4 / 0,8 MPa**
 Operating temperature: **5° + 45° C**
 Electronic 24 Vdc sensor with M12 swivel connector that can be orientated at 0° or 90°
 Protection Class: **IP 54**
 Pneumatic ports on both sides

* : TOLERANCE BETWEEN DOWEL HOLES ± 0.02, TO SCREW HOLES ± 0.1
 THE SENSOR CAN BE MOUNTED ON EITHER RIGHT OR LEFT SIDE

SUBJECT TO TECHNICAL MODIFICATIONS WITHOUT NOTICE