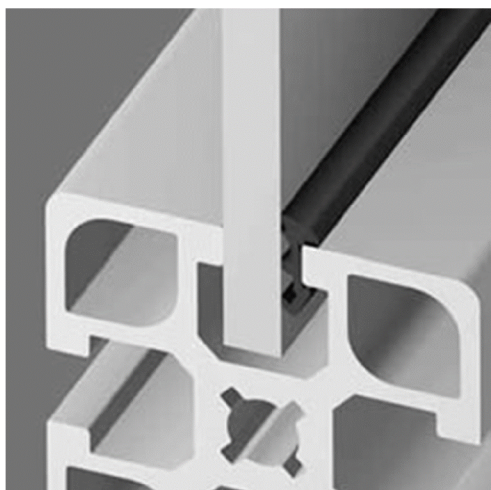




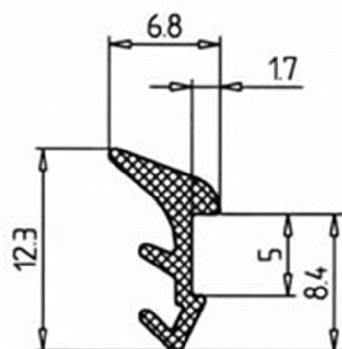
Insert Seal 6

Part. N° 22.1086/1



APPLICATIONS

- Gasketing of panels 5mm-6mm thick in t-slots
- Makes an air/water resistant seal
- Thin glass 2mm thick can be fixed by using insert seal 6 on both sides





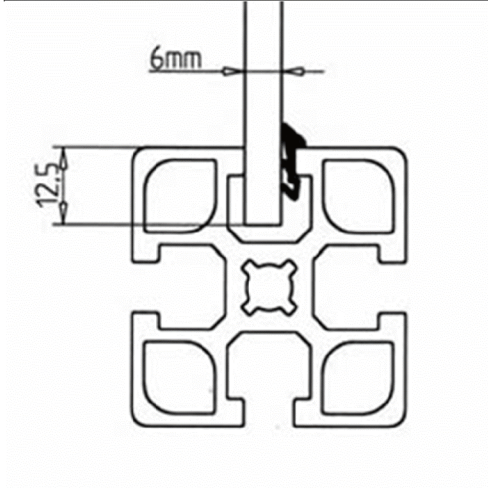
TECHN. DATA / ITEMS SUPPLIED

- EDPM rubber, black

- Order in any desired length

- Length of roll - 200m

- Weight - .020 kg/m



ASSEMBLY

- Assemble frame with panels loose in t-slots

- Press into slot with three prong side towards panel

- Cut oversize and compress during insertion. Gasket will shrink slightly over time

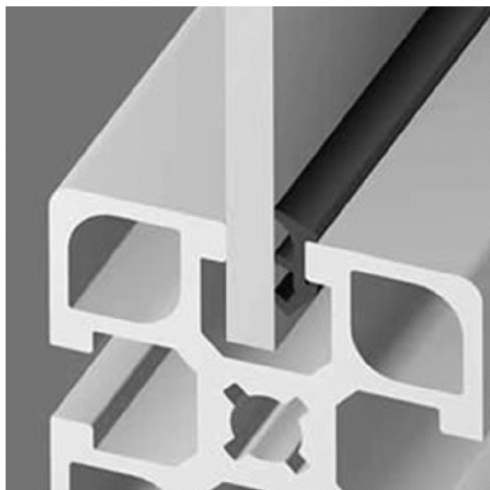
- Miter cut corners for more attractive joints.

- Cut panel 25mm (1") larger than opening. See [panel fastening technical data](#) for more information



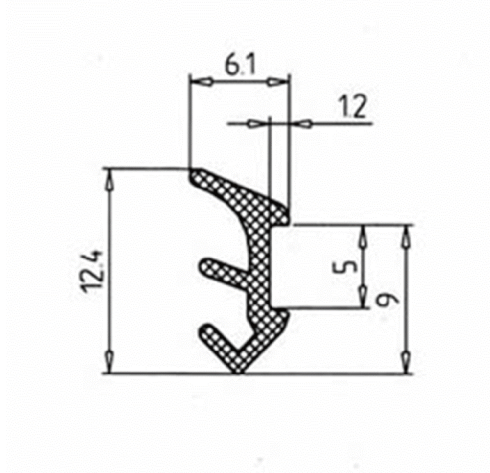
Insert Seal 5

Part. N° 22.1099



APPLICATIONS

- Gasketing of panels 4mm-5mm thick in t-slots
- Makes an air/water resistant seal



TECHN. DATA / ITEMS SUPPLIED

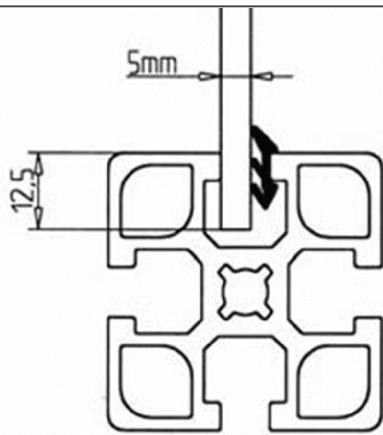


- EDPM rubber, black

- Order in any desired length

- Length of roll - 200m

- Weight - .040 kg/m



ASSEMBLY

- Assemble frame with panels loose in t-slots

- Press into slot with three prong side towards panel

- Cut oversize and compress during insertion. Gasket will shrink slightly over time

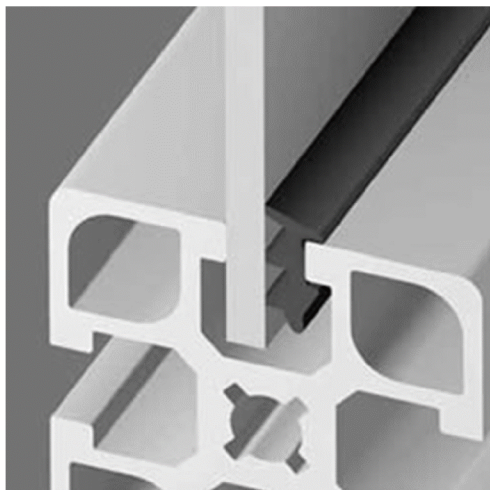
- Miter cut corners for more attractive joints.

- Cut panel 25mm (1") larger than opening. See [panel fastening technical data](#) for more information



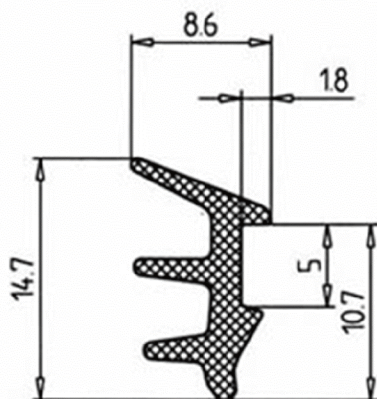
Insert Seal 4

Part. N° 22.1081



APPLICATIONS

- Gasketing of panels 2mm- 4mm thick in t-slots
- Makes an air/water resistant seal



TECHN. DATA / ITEMS SUPPLIED

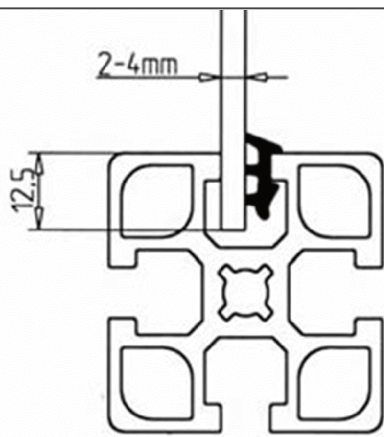


- EDPM rubber, black

- Order in any desired length

- Length of roll - 200m

- Weight - .070 kg/m



ASSEMBLY

- Assemble frame with panels loose in t-slots

- Press into slot with three prong side towards panel

- Cut oversize and compress during insertion. Gasket will shrink slightly over time

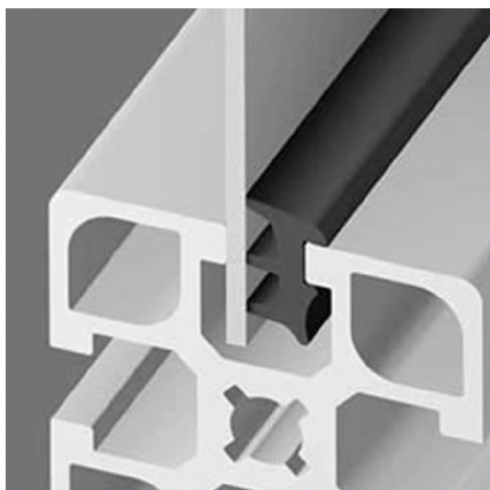
- Miter cut corners for more attractive joints.

- Cut panel 25mm (1") larger than opening. See [panel fastening technical data](#) for more information



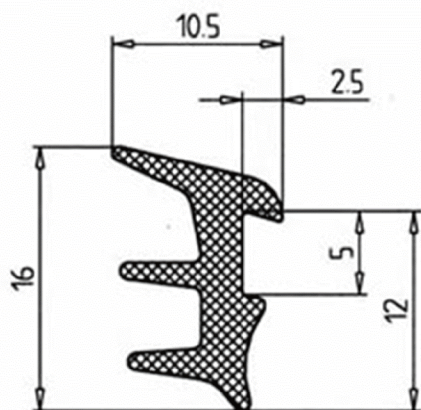
Insert Seal 2

Part. N° 22.1083



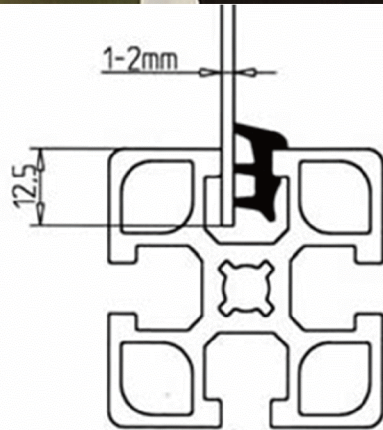
APPLICATIONS

- Gasketing of panels 2mm thick and less in t-slots
- Makes an air/water resistant seal



TECHN. DATA / ITEMS SUPPLIED

- EDPM rubber, black
- Order in any desired length
- Length of roll - 100m
- Weight - .096 kg/m



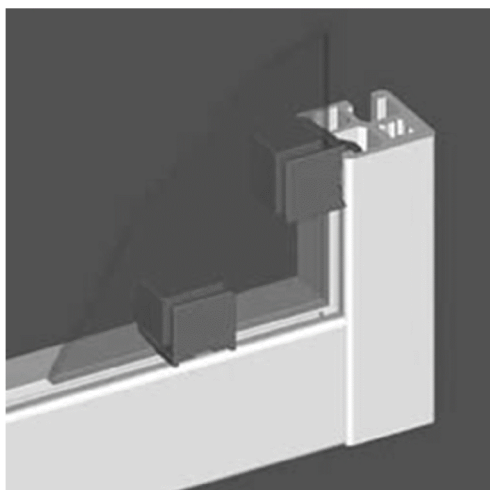
ASSEMBLY

- Assemble frame with panels loose in t-slots
- Press into slot with three prong side towards panel
- Cut oversize and compress during insertion. Gasket will shrink slightly over time
- Miter cut corners for more attractive joints.
- Cut panel 1" larger than opening. See [panel fastening technical data](#) for more information



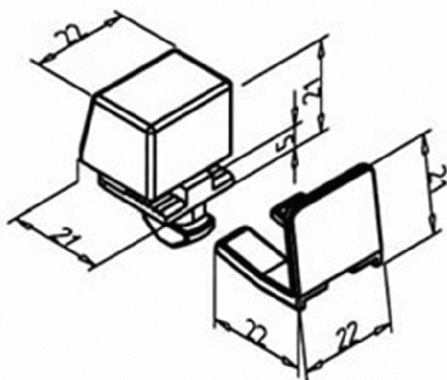
Panel Clamp Block 32

Part. N° 22.1110/1



APPLICATIONS

- Subsequent attachment of panels to 19 & 32mm profiles
- For panels 2 - 6 mm thick
- Make panel a min. of 12mm smaller than opening in both x & y directions



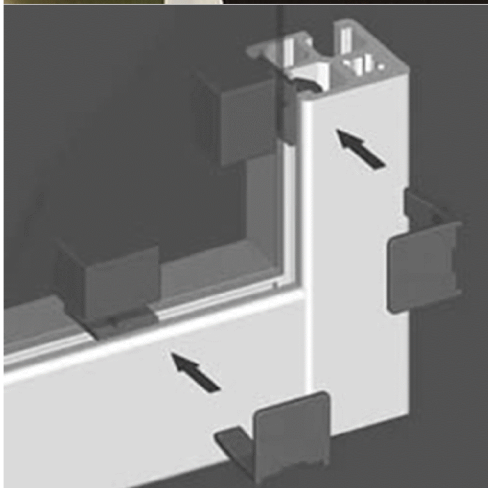
TECHN. DATA / ITEMS SUPPLIED

- PA Plastic, Gray
- Weight - .010 kg

EL

News

Electrolux
Macedonia
Palenzo



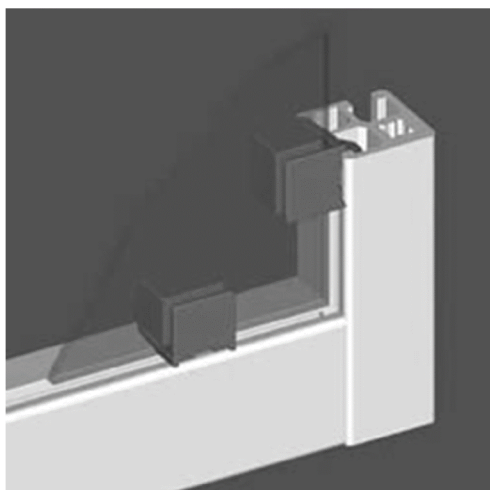
ASSEMBLY

- No processing of panel or frame required
- Put tab of socket half in t-slot & rotate 90°
- Insert panel & press in clip
- Clip can be removed with screwdriver



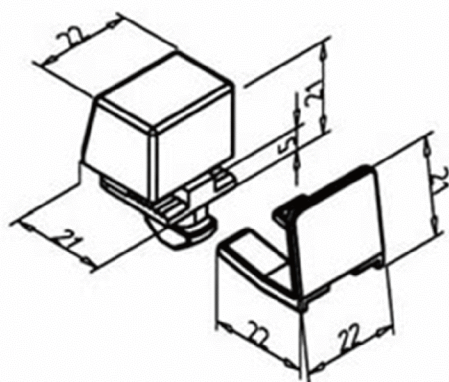
Panel Clamp Block 45

Part. N° 22.1111/1



APPLICATIONS

- Subsequent attachment of panels to profiles 45mm & larger
- For panels 2 - 6 mm thick
- Make panel a min. of 12mm smaller than opening in both x & y directions



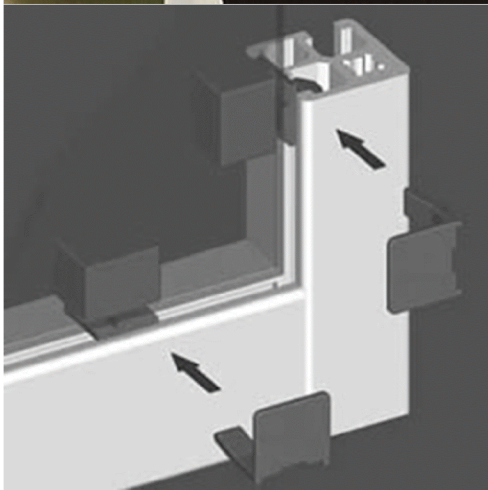
TECHN. DATA / ITEMS SUPPLIED

- PA Plastic, Gray
- Weight - .010 kg

EL

News

Electrolux
Macedonia
Palenzo



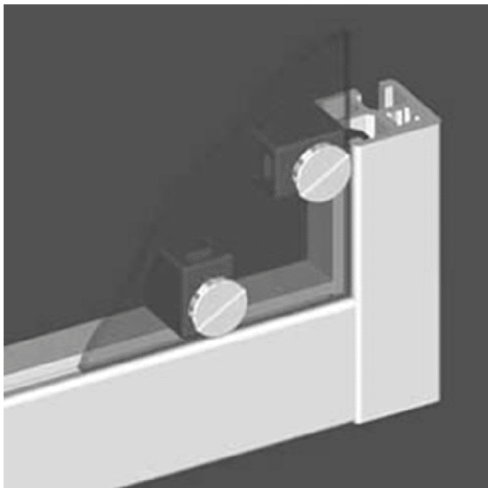
ASSEMBLY

- No processing of panel or frame required
- Put tab of socket half in t-slot & rotate 90°
- Insert panel & press in clip
- Clip can be removed with screwdriver



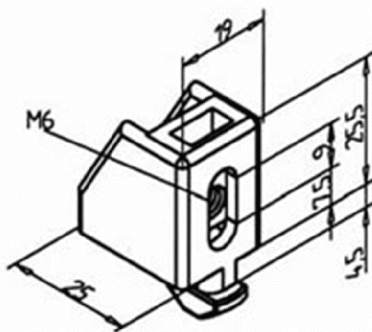
Screw Block 32

Part. N° 22.1112/1



APPLICATIONS

- For mounting panels to 19 & 32mm profiles
- Caged nut allows for 9mm of adjustment for hole alignment



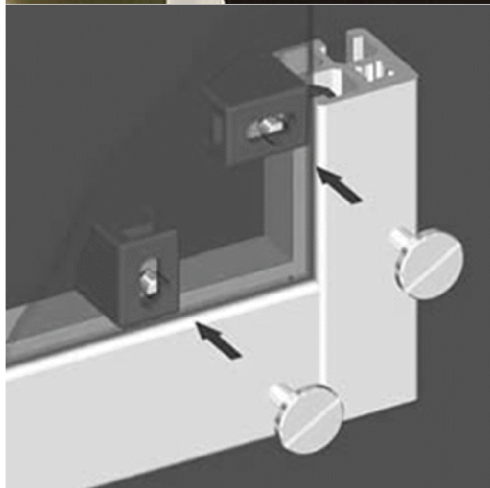
TECHN. DATA / ITEMS SUPPLIED

- PA Plastic, Gray
- Qty 1 M6x1 caged square nut (installed)
- M6 screw for fastening panel sold separately
- Weight - .01 kg

EL

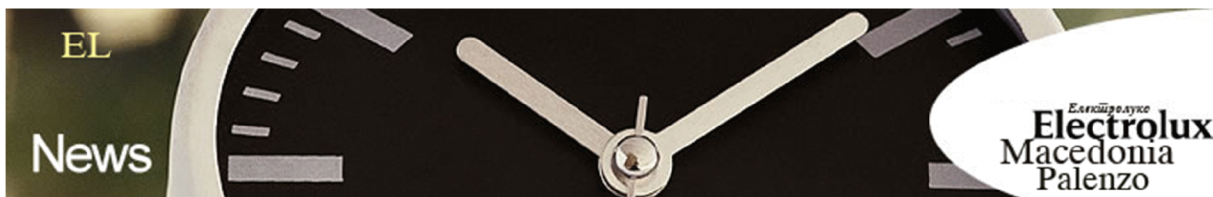
News

Ελεγκτήρας
Electrolux
Macedonia
Palenzo



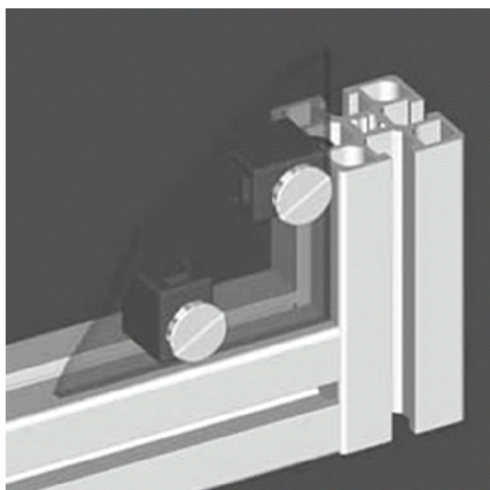
ASSEMBLY

- Insert tab into T-slot and rotate 90°
- Fasten panel with pan head screws 21.1246 or other M6x1 screw



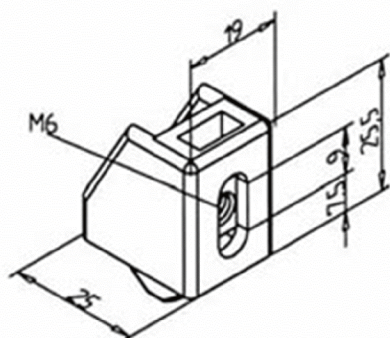
Screw Block 45

Part. N° 22.1113/1



APPLICATIONS

- For mounting panels to profiles 45mm and larger
- Caged nut allows for 9mm of adjustment for hole alignment



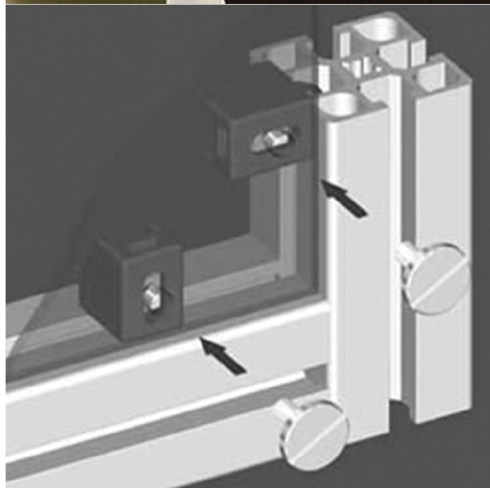
TECHN. DATA / ITEMS SUPPLIED

- PA Plastic, Gray
- Qty 1 M6x1 caged square nut (installed)
- M6 screw for fastening panel sold separately
- Weight - .01 kg

EL

News

Ελεγκτική
Electrolux
Macedonia
Palenzo



ASSEMBLY

- Insert tab into T-slot and rotate 90°
- Fasten panel with pan head screws 21.1246 or other M6x1 screw



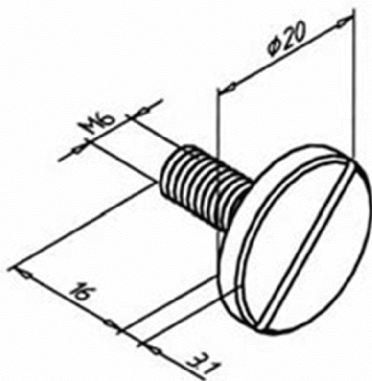
Pan Head Screw 16

Part. N° 21.1246



APPLICATIONS

- Mounting panel elements to Screw Block 32 Part # 22.1112/1
- Mounting panel elements to Screw Block 45 Part # 22.1113/1
- Mounting panel elements to Multi-Block 21.1355
- Mounting panel elements to t-slot using M6 square nut with position fixing Part # 21.1330/2



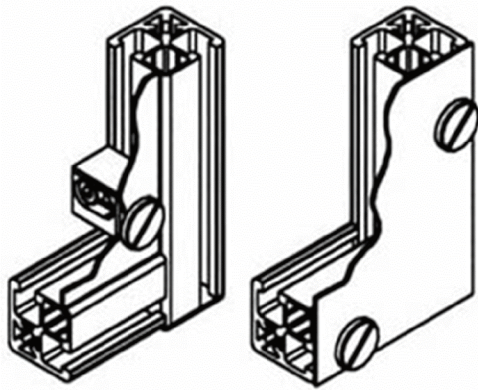
TECHN. DATA / ITEMS SUPPLIED

- Steel, zinc plated
- Screw head Ø20
- Threaded stud M6x16



- Thread pitch 1mm

- Weight - .01 kg



ASSEMBLY

- Tighten with flat head screwdriver



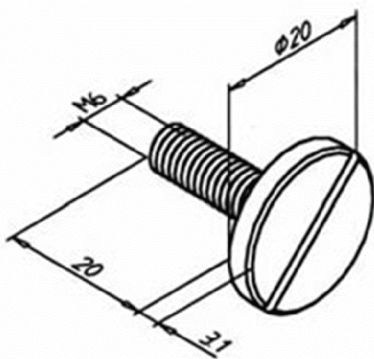
Pan Head Screw 20

Part. N° 21.1246/1



APPLICATIONS

- Mounting panel elements to Screw Block 32 Part # 22.1112/1
- Mounting panel elements to Screw Block 45 Part # 22.1113/1
- Mounting panel elements to Multi-Block 21.1355
- Mounting panel elements to t-slot using M6 square nut with position fixing Part # 21.1330/2



TECHN. DATA / ITEMS SUPPLIED

- Steel, zinc plated
- Screw head Ø20
- Threaded stud M6x20

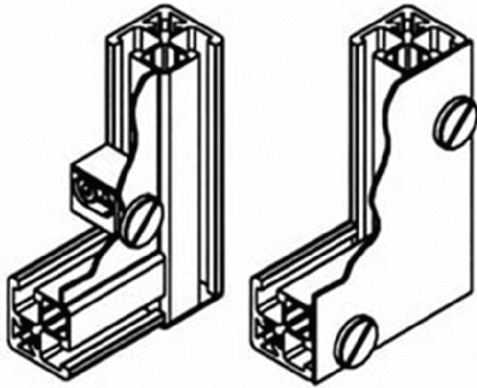


www.electrolux.mk www.elektroluks.mk www.elektroluks.eu
electrolux@t-home.mk elektroluks@t-home.mk



- Thread pitch 1mm

- Weight - .01 kg



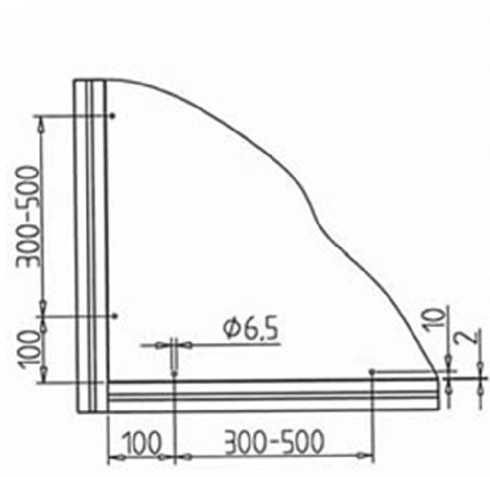
ASSEMBLY

- Tighten with flat head screwdriver



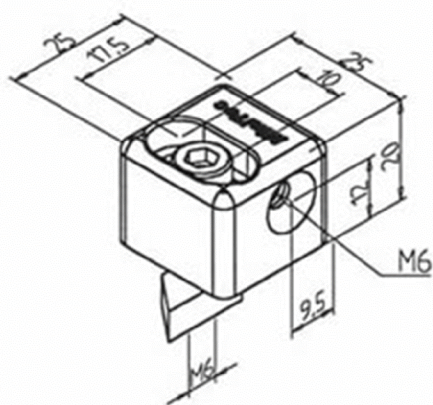
Multiblock GD

Part. N° 21.1355



APPLICATIONS

- Slot allows 10mm adjustment to bring panels from 5-15mm thick flush to profile edge
- Light constructions
- Panel frames
- Shelves



TECHN. DATA / ITEMS SUPPLIED

- Aluminum Block, Powder Coated Gray
- Qty 1, M6x25 socket head cap screw for attaching to t-slot
- Qty 1, Rhombus nut



- M6 screw for attaching panel sold separately

- Weight - .035kg



ASSEMBLY

- Attach Multiblock to t-slot with supplied M6 hardware

- Adjust block depth for panel thickness

- Fasten panel to block with Pan Head Screw 16 (sold separately)



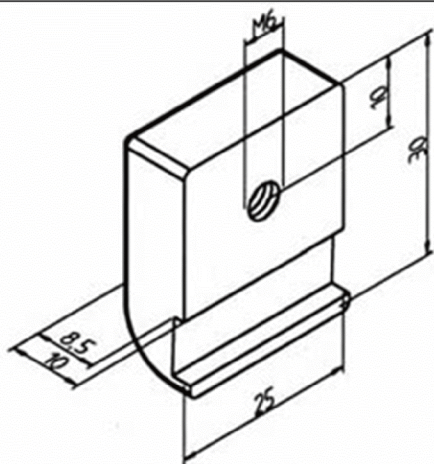
Thread Socket GD

Part. N° 21.1117/1



APPLICATIONS

- Subsequent attachment of panel elements to profile frames
- Attachment of table tops



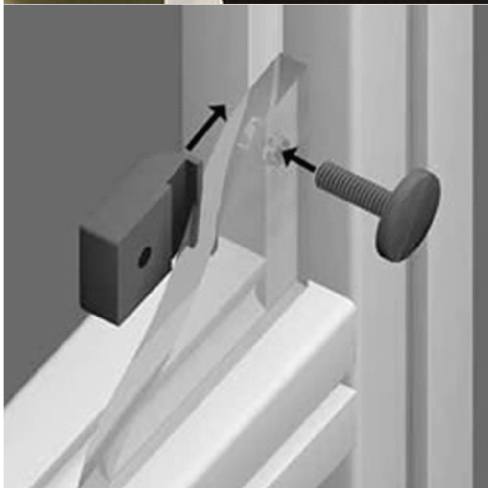
TECHN. DATA / ITEMS SUPPLIED

- Cast aluminum, powder coated gray
- Screw to attach panel sold separately
- Weight - .018 kg

EL

News

Ελεγκτική
Electrolux
Macedonia
Palenzo



ASSEMBLY

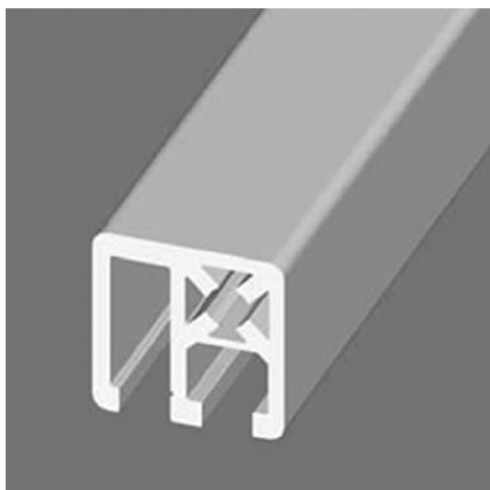
- Insert into t-slot while rotating & tap into position with small mallet

- Fasten panel with M6x1 screw



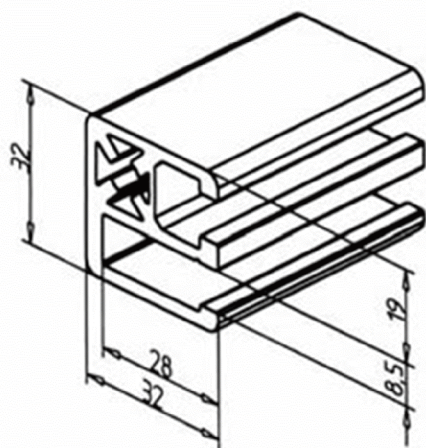
Clamp Profile 32 X 32

Part. N° 20.1070



APPLICATIONS

- Machine Guarding
- Deep Slot For Holding Square Mesh
- Lift Removeable Barrier Guarding
- Seperate Slot For Power-Lock And Panel

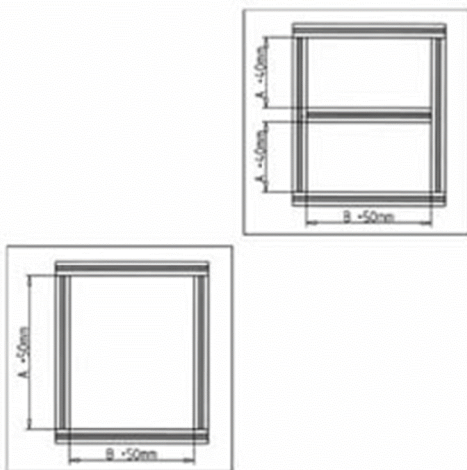


TECHN. DATA / ITEMS SUPPLIED

- Ix =	5.024 cm ⁴
- Iy =	4.418 cm ⁴
- Wx =	3.041 cm ³



- wy =	2.398 cm ³
- Weight	1.211 kg/m
- Order cut to size using Part # 25.1094	
- Full length	6 m
- Packing unit	48 m



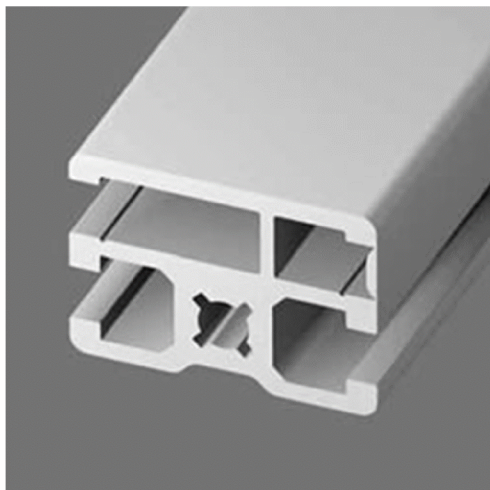
ASSEMBLY

- MiniTec power-lock fastener
- Panel Notching Not Required
- Secure Panel With Distance Profile
- Panel Size = Opening + 2 Inches



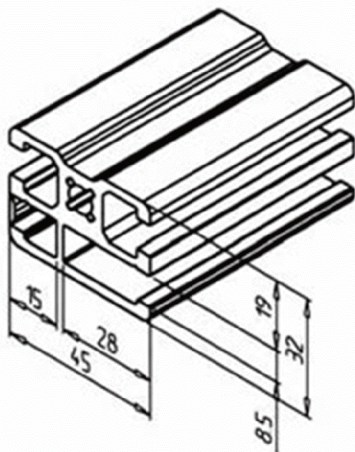
Clamp Profile 45 X 32

Part. N° 20.1053



APPLICATIONS

- Modular Barrier Guards
- Machine Enclosures
- Deep Slot Keeps Mesh From Pushing Out
- Tool Removeable Guarding Panels

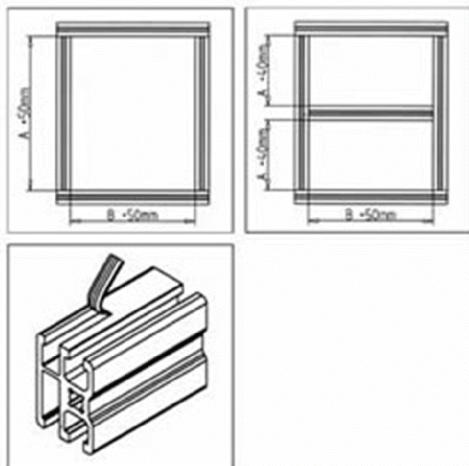


TECHN. DATA / ITEMS SUPPLIED

- lx =	6.465 cm ⁴
- ly =	9.521 cm ⁴
- wx =	3.999 cm ³



- wy =	4.119 cm ³
- Weight	1.615 kg/m
- Order cut to size using Part # 25.1094	
- Full length	6 m
- Packing unit	48 m



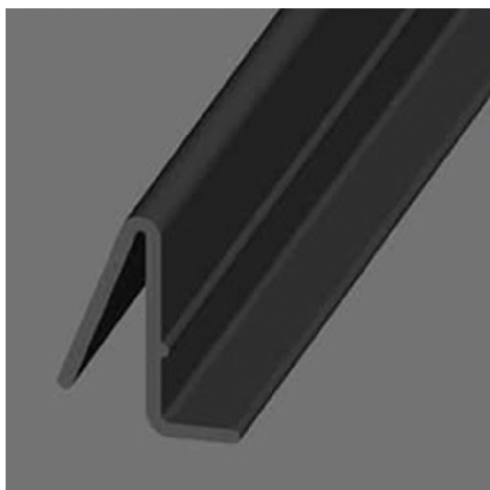
ASSEMBLY

- MiniTec power-lock fastener
- No Panel Notching Required
- Place Panel In Deep Slot
- Secure Mesh With Distance Profile



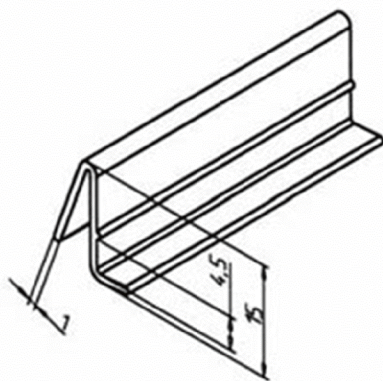
Distance Profile

Part. N° 22.1039



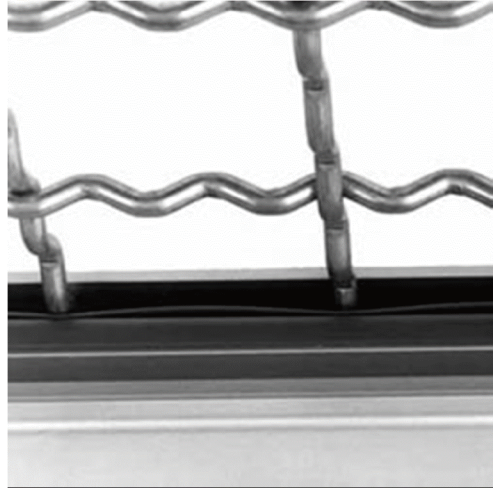
APPLICATIONS

- Fixing of square mesh or 6mm panels into t-slots
- Designed for use with MiniTec's standard t-slot as well as extra deep safety slot of clamp profile 32x32 & clamp profile 45x32



TECHN. DATA / ITEMS SUPPLIED

- ABS Gray
- Length 2 meters
-
- Weight - .055 kg/m



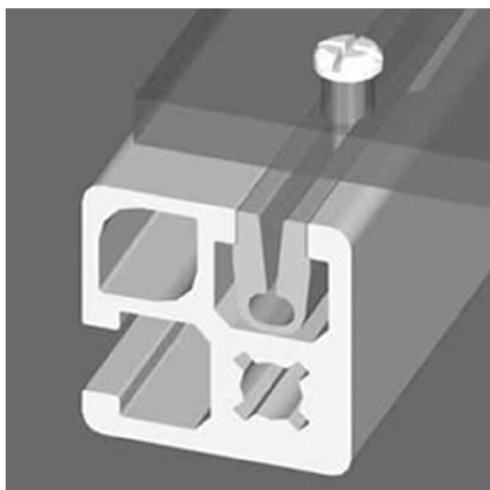
ASSEMBLY

- Assemble frame & install panel
- Cut distance profile to size and press in



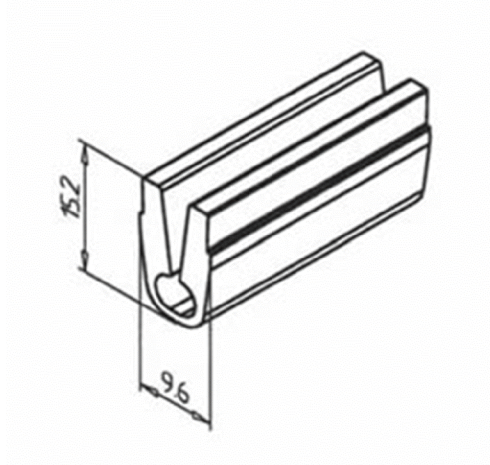
Screw In Strip

Part. N° 22.1076



APPLICATIONS

- Easy fixing of panel elements at any point with self tapping screws

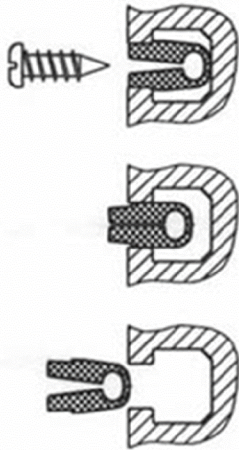


TECHN. DATA / ITEMS SUPPLIED

- PVC, gray, RAL 7012

- Length 2 meters

- Weight - .118 kg/m



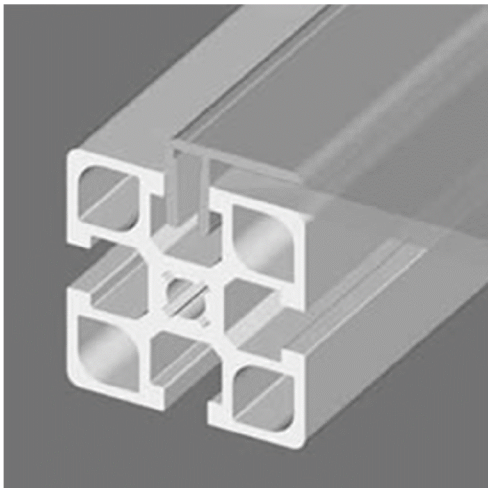
ASSEMBLY

- Snap into groove
- For materials 1-6 mm thick use 3.5x16mm self tapping screws 21.1365
- Accepts self tapping screw up to 5mm dia.



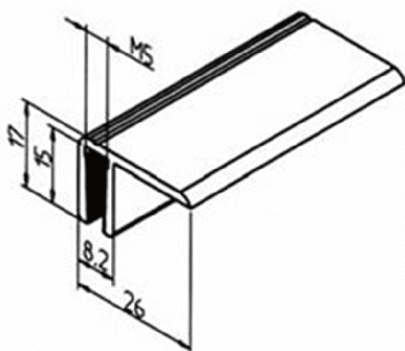
Panel Clamping Profile

Part. N° 20.1025



APPLICATIONS

- Mounting of panels to t-slots
- For panels 1-10 mm thick
- Clamp profile traps panel and holds it in place but doesn't clamp with sufficient force to use to hang a panel by one side
- Not appropriate for cloth, paper or other thin flimsy materials without additional reinforcement



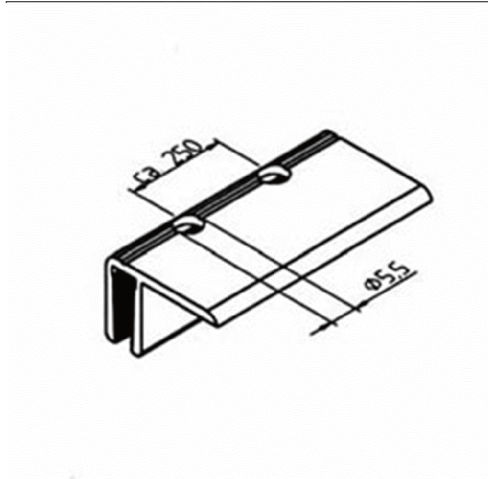
TECHN. DATA / ITEMS SUPPLIED

- Aluminum, anodized
- Length - 6m



- Weight

- .26kg/m



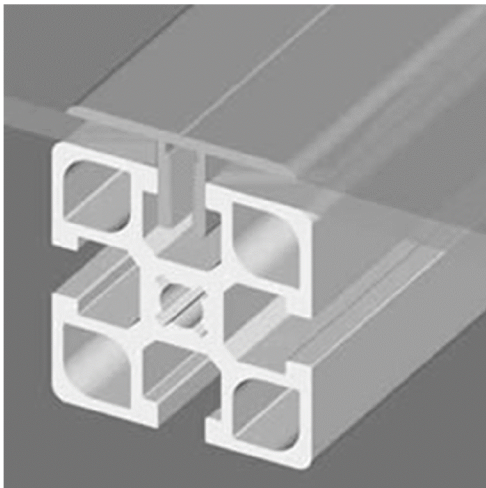
ASSEMBLY

- No tapping required. M5 thread is part of the extrusion
- Press profile into t-slot and clamp with set screw M5x12
- See panel [fastening technical data](#) for calculating correct panel size



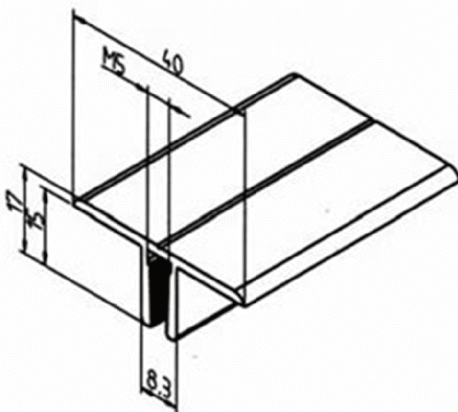
Double Panel Clamping Profile

Part. N° 20.1018



APPLICATIONS

- Mounting of panels to t-slots
- For panels 1-10 mm thick
- Clamp profile traps panel and holds it in place but doesn't clamp with sufficient force to use to hang a panel by one side
- Not appropriate for cloth, paper or other thin flimsy materials without additional reinforcement



TECHN. DATA / ITEMS SUPPLIED

- Aluminum, anodized
- Length - 6m

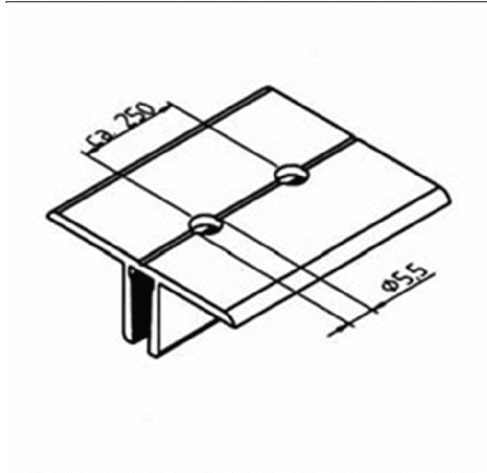


www.electrolux.mk www.elektroluks.mk www.elektroluks.eu
electrolux@t-home.mk elektroluks@t-home.mk



- Weight

- ...375kg/m



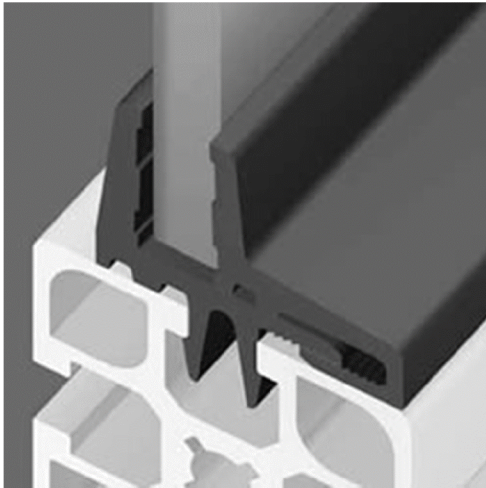
ASSEMBLY

- No tapping required. M5 thread is part of the extrusion
- Press profile into t-slot and clamp with set screw M5x12
- See panel [fastening technical data](#) for calculating correct panel size



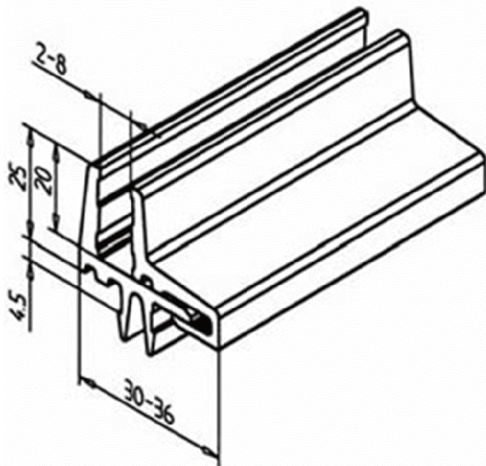
Clamp Profile PVC

Part. N° 22.1092



APPLICATIONS

- Attachment of panels 4-8mm thick
- For panels less than 4mm use a spacer gasket
- Subsequent attachment of panels after frame is assembled
- Especially useful for attaching panels after frame in constructed without gaps between panel and frame
- Also for use with square mesh



TECHN. DATA / ITEMS SUPPLIED

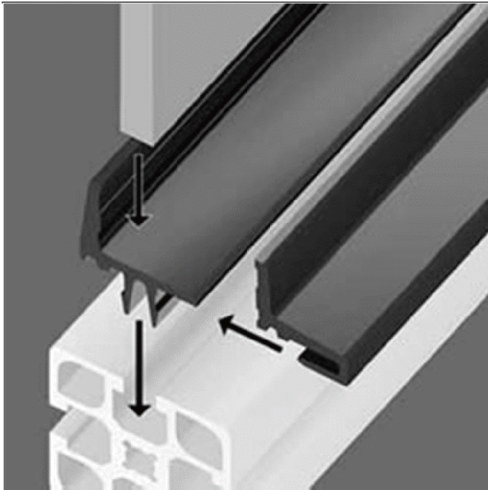
- Hard PVC, Gray
- **Available in black, Part # 22.1080**



www.electrolux.mk www.elektroluks.mk www.elektroluks.eu
electrolux@t-home.mk elektroluks@t-home.mk



- Length - 2m
- Weight - .230 kg/m



ASSEMBLY

- Snap socket half into groove
- Insert panel element
- Press clamping half firmly on socket half
- See [panel fastening technical data](#) for calculating correct panel size



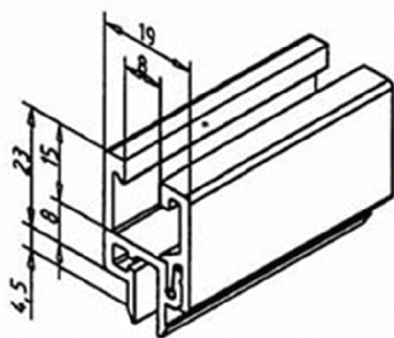
Panel Clamp Profile

Part. N° 22.1107/1



APPLICATIONS

- Attachment of panels 2-8mm thick
- For panels less than 8mm use same insert seal used for standard t-slots
- Subsequent attachment of panels after frame is assembled
- Especially useful for attaching panels after frame in constructed without gaps between panel and frame



TECHN. DATA / ITEMS SUPPLIED

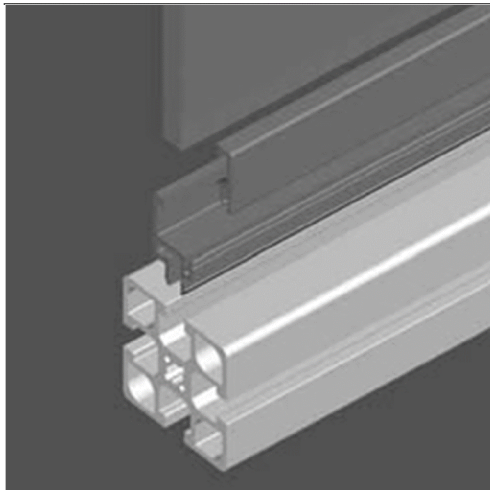
- ABS plastic, Gray
- Length - 2m



www.electrolux.mk www.elektroluks.mk www.elektroluks.eu
electrolux@t-home.mk elektroluks@t-home.mk



- Weight - .158 kg/m



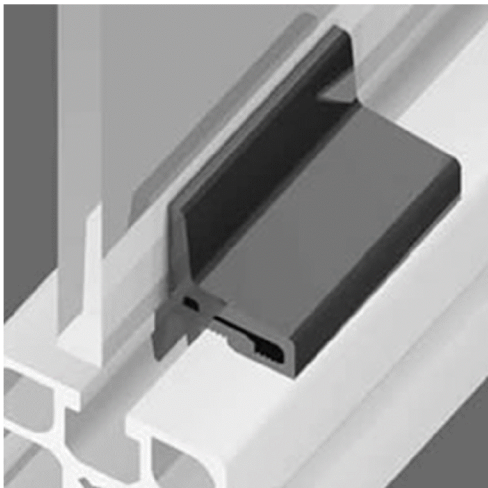
ASSEMBLY

- Snap socket half into groove
- Insert panel element
- Press clamping half firmly on socket half
- See panel fastening technical data for calculating correct panel size



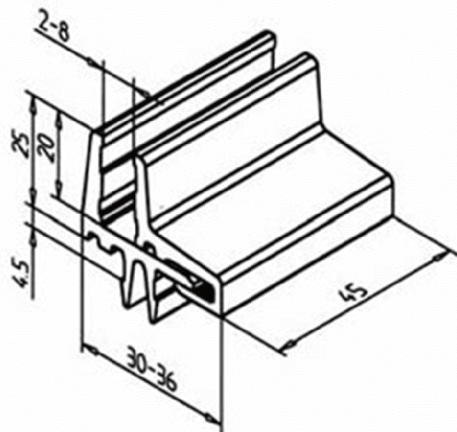
Panel Holder

Part. N° 22.1090/1



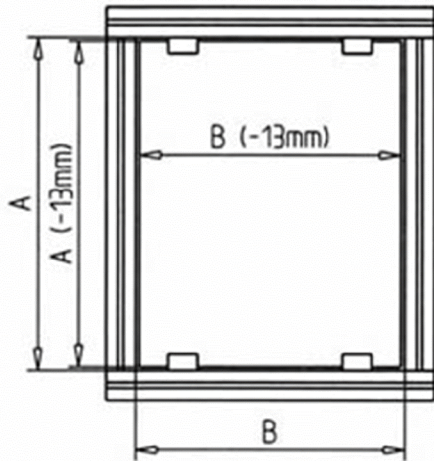
APPLICATIONS

- Attachment of panels 4-8mm thick
- For panels less than 4mm use a spacer gasket
- Subsequent attachment of panels after frame is assembled



TECHN. DATA / ITEMS SUPPLIED

- Hard PVC, Gray
- **Available in black, Part # 22.1090**
- Weight - ..011 kg/m



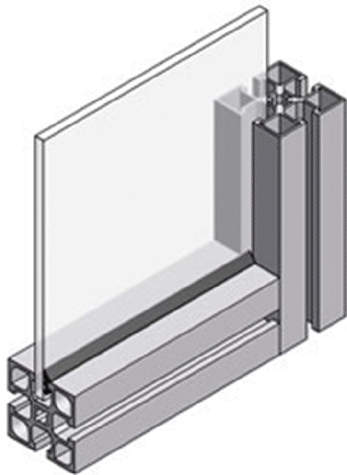
ASSEMBLY

- Snap socket half into groove
- Insert panel element
- Press clamping half firmly on socket half
- See panel fastening technical data for calculating correct panel size



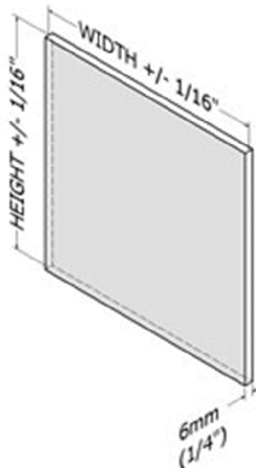
Clear Polycarbonate 6mm Thick

Part. N° 21.1830



APPLICATIONS

- Machine guards & machine enclosures
- Polycarbonate is extremely tough & resistant to cracking
- In plant office & door windows



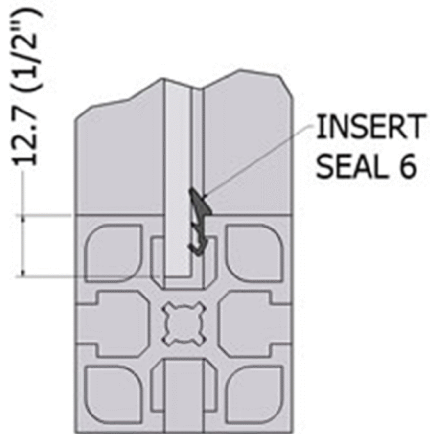
TECHN. DATA / ITEMS SUPPLIED

- Clear Polycarbonate 6mm thick (.22")
- Order cut to rectangular size +/- 1/16"
- Lexan™ is GE's brand of polycarbonate. See Spec. Sheet
- Max size 60" x 120"



- Panel machining services available

- Weight - 1.28lbs/sqft



ASSEMBLY

- Frame in t-slots on all four sides & take up gap using Insert Seal 6

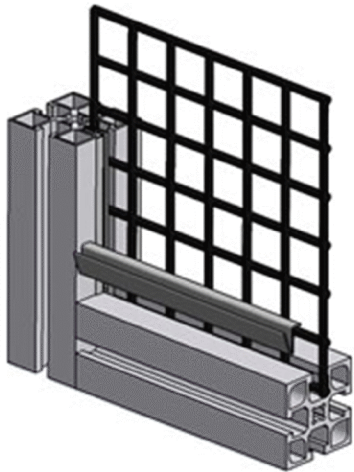
- Screw to frame to make a removeable panel using Screw Block 32

- Bolt directly to t-slots (see picture)



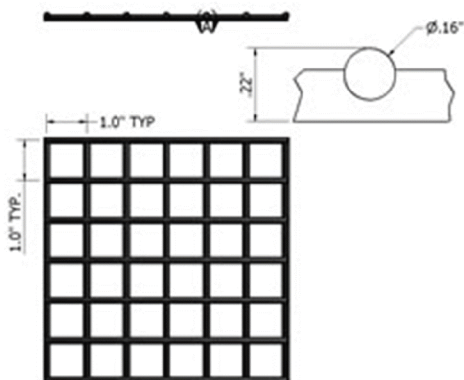
Black Weldmesh 1"x1"

Part. N° 21.9510



APPLICATIONS

- Machine enclosures & machine guards
- Barrier guarding
- Perimeter guarding
- Openings large enough to allow fingers thru. Use solid panels or smaller mesh when dangerous machinery is 8" from panel.



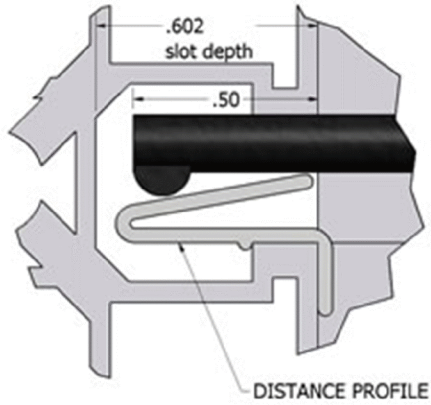
TECHN. DATA / ITEMS SUPPLIED

- 12 gauge steel wire with black pvc coating
- Wires welded together at every intersection
- Order cut to size



- Full sheet 4' x 8'

- Weight - .78 lbs/sqft



ASSEMBLY

- No processing required.

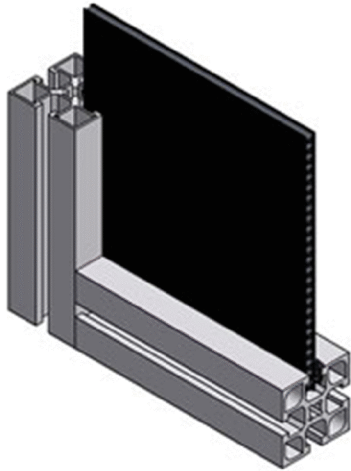
- Cut 1" wider than profile opening & frame in t-slots on all 4 sides

- Take up excess gap using Distance Profile



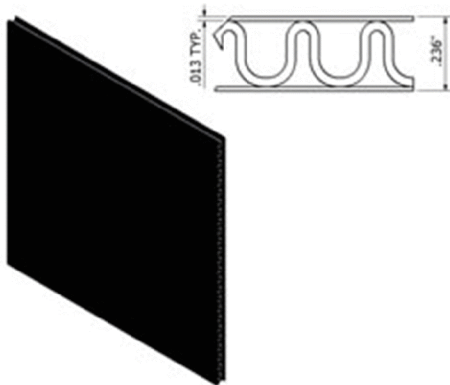
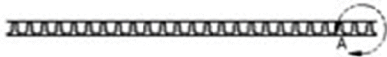
Matte Black Alupalite 6mm

Part. N° 21.9540



APPLICATIONS

- Machine guard & machine enclosure walls & ceilings
- Applications that require a high strength to weight ratio
- Laser enclosures & enclosures where minimal reflections are desired



TECHN. DATA / ITEMS SUPPLIED

- Corrugated plastic core with .013" thick matte black painted skins on both sides
- Factory-baked polyester painted aluminum faces
- Strong and lightweight, Alupalite is the same weight as .040

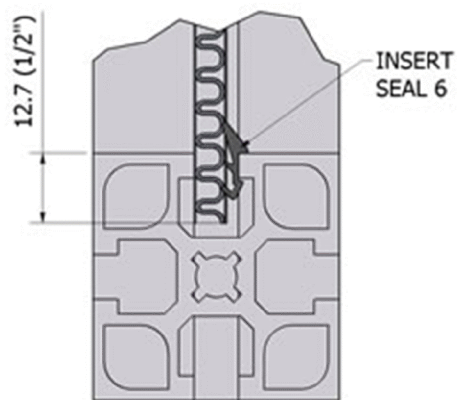


aluminum sheet metal yet 50 times stronger

- Max size 60" x 120"

- Panel machining services available

- Weight - .78lbs/sq ft



ASSEMBLY

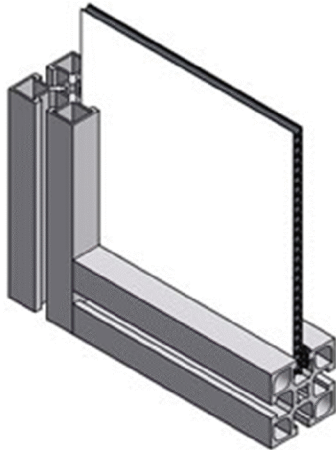
- Frame in t-slots on all four sides & take up gap using Insert Seal 6

- Screw to frame to make a removable panel using Screw Block 32



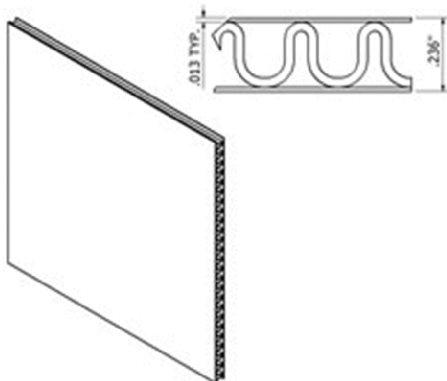
White Alupalite 6mm

Part. N° 21.9541



APPLICATIONS

- Machine guard & machine enclosure walls & ceilings
- Applications that require a high strength to weight ratio
- Clean room walls & enclosures



TECHN. DATA / ITEMS SUPPLIED

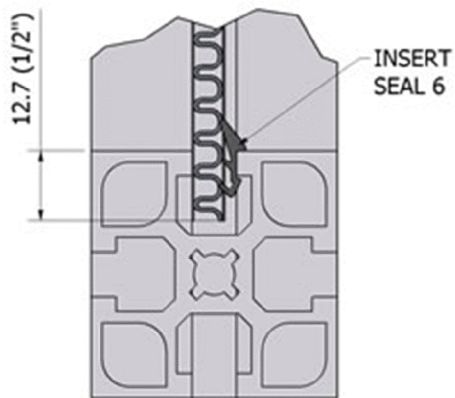
- Corrugated plastic core with .013" thick white painted skins on both sides
- Factory-baked polyester painted aluminum faces
- Strong and lightweight, Alupalite is the same weight as .040 aluminum sheet metal yet 50 times stronger



- Max size 60" x 120"

- Panel machining services available

- Weight - .78lbs/sq ft



ASSEMBLY

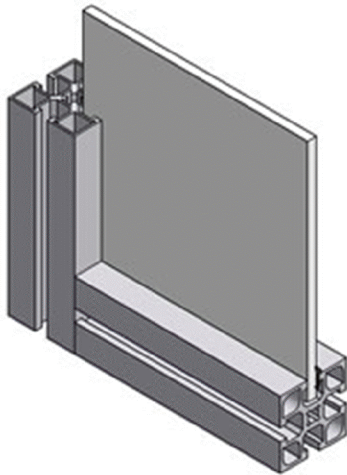
- Frame in t-slots on all four sides & take up gap using Insert Seal 6

- Screw to frame to make a removable panel using Screw Block 32



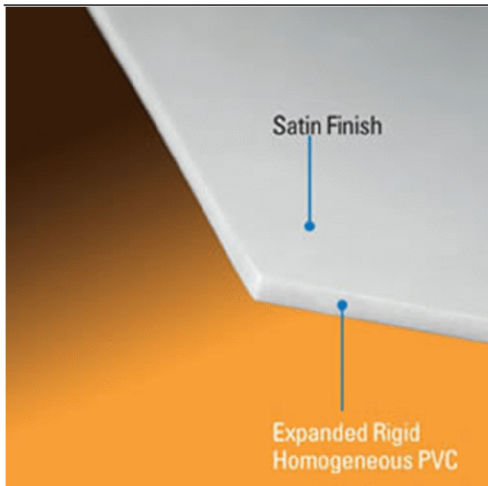
Sintra™ White 6mm(1/4")

Part. N° 21.9555



APPLICATIONS

- Attractive satin white finish on both sides makes this panel ideal for enclosure walls, in plant offices and trade show displays
- Panel is lightweight making it perfect for counter weighted doors & trade show displays
- For clean room & medical applications consider White alumalite



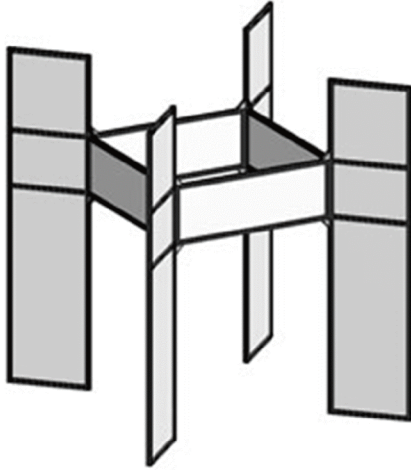
TECHN. DATA / ITEMS SUPPLIED

- Sintra™ is closed cell expanded PVC
- Color White
- Thickness 6mm (.236")



- Weight

- kg



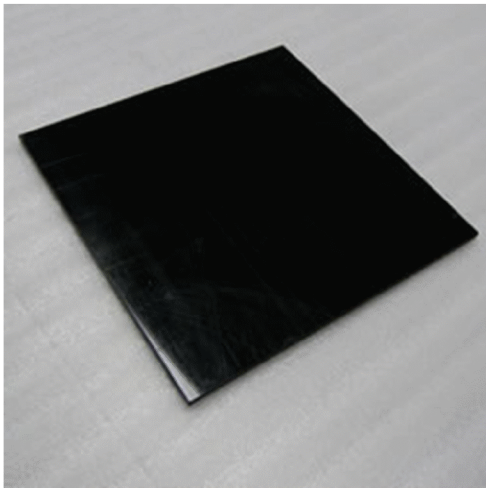
ASSEMBLY

- Frame in t-slots on all four sides & take up gap using [Insert Seal 6](#)
- Screw to frame to make a removable panel using [Screw Block 32](#)
- Bolt directly to t-slots (see picture)



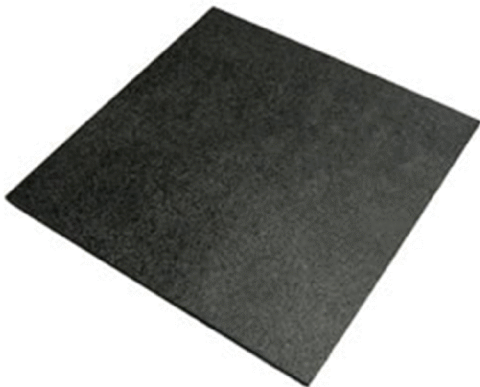
Black 1/4" ABS Plastic Hair cell Finish

Part. N° 21.9551



APPLICATIONS

- Attractive hair cell finish is hard to scratch
- Tough, durable & resistant to cracking
- Economical table top & shelving material
- Back side doesn't have haircell finish & is not as attractive. It is also glossy & should be avoided where reflections are a concern.



TECHN. DATA / ITEMS SUPPLIED



www.electrolux.mk www.elektroluks.mk www.elektroluks.eu
electrolux@t-home.mk elektroluks@t-home.mk



- Black 6mm (.236") ABS Plastic
- Hair cell finish on one side
- Shiny finish on back side (Middle photo)
- Weight - 1.3 lbs/sq ft



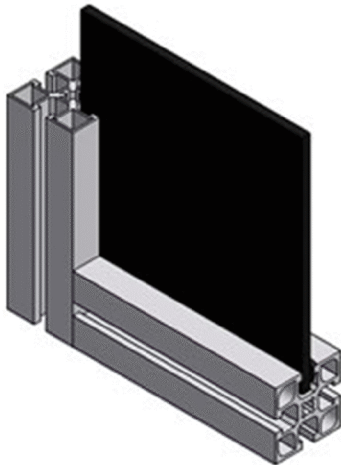
ASSEMBLY

- Frame on all 4 sides in t-slots and fix in place with Insert Seal 6
- Mount to t-slots with screws & nuts (see picture)
- Fasten to frame using Screw Block 32 or Screw Block 45
- Bolt directly to t-slots (see picture)



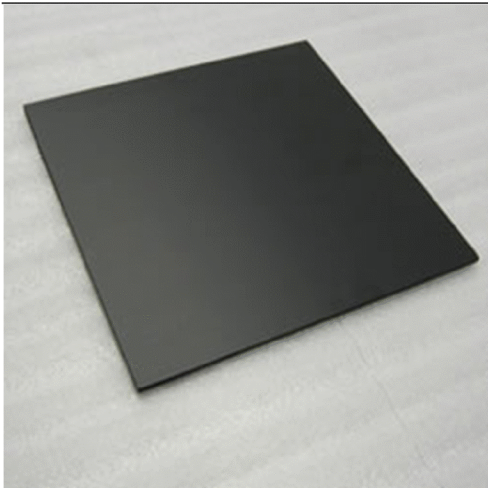
Sintra™ Black 6mm(1/4")

Part. N° 21.9552



APPLICATIONS

- Attractive matte black finish on both sides makes this panel ideal for enclosure walls, in plant offices and trade show displays
- Panel is lightweight making it perfect for counter weighted doors & trade show displays
- Matte black finish reduces reflections inside enclosure



TECHN. DATA / ITEMS SUPPLIED

- Sintra™ is closed cell expanded PVC
- Color Black
- Thickness 6mm (.236")



- Weight - kg



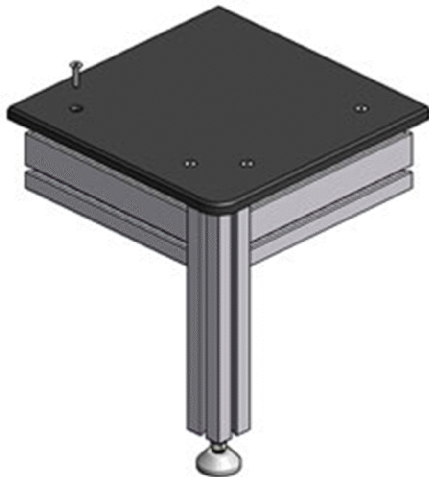
ASSEMBLY

- Frame in t-slots on all four sides & take up gap using [Insert Seal 6](#)
- Screw to frame to make a removable panel using [Screw Block 32](#)
- Bolt directly to t-slots ([see picture](#))



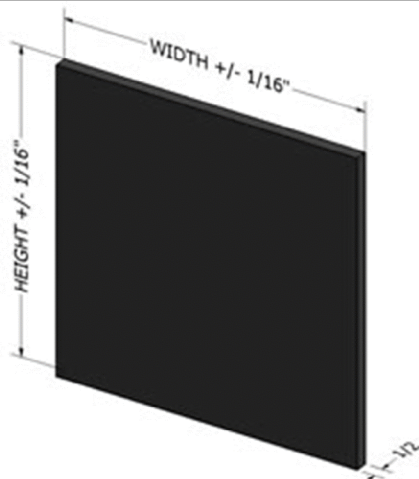
1/2" BLACK UHMW

Part. N° 21.9553



APPLICATIONS

- Work station & table tops
- Work surface for shelves
- Extremely low friction & resistant to wear
- Durable & resistant to cutting & scratching



TECHN. DATA / ITEMS SUPPLIED

- 1/2" Black UHMW (Ultra high molecular weight polyethylene)
- Specify Width & Height
- Cut to size & machining services available



- Available in ESD, Part # 21.9553/1

- Weight - kg



ASSEMBLY

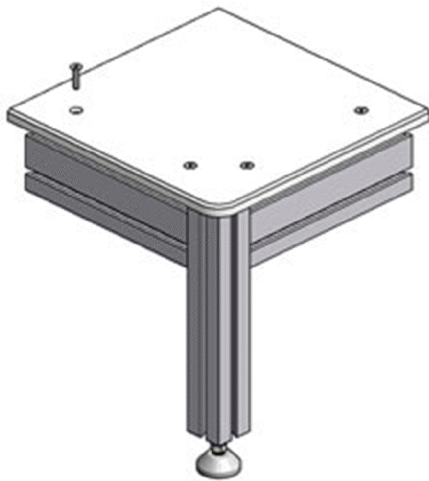
- Bolt to t-slots using M6x25 Counter Sunk Screws & M6 Square Nuts With Position Fixing

- Fasten to frame from below using the Angle 45 GD (See picture)



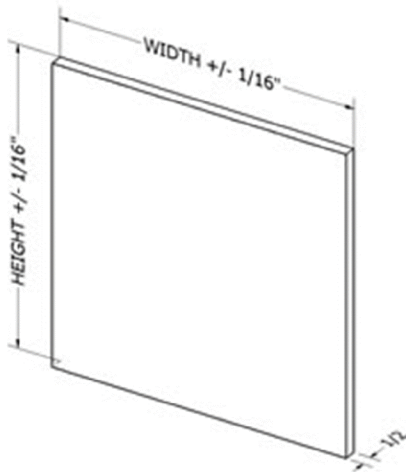
1/2" White High Density Polyethylene

Part. N° 21.9557



APPLICATIONS

- Work station & table tops
- Work surface for shelves
- Low friction & resistant to wear



TECHN. DATA / ITEMS SUPPLIED

- 1/2" high density polyethylene plastic
- Specify Width & Height
- Cut to size & machining services available



www.electrolux.mk www.elektroluks.mk www.elektroluks.eu
electrolux@t-home.mk elektroluks@t-home.mk



- Weight

- kg



ASSEMBLY

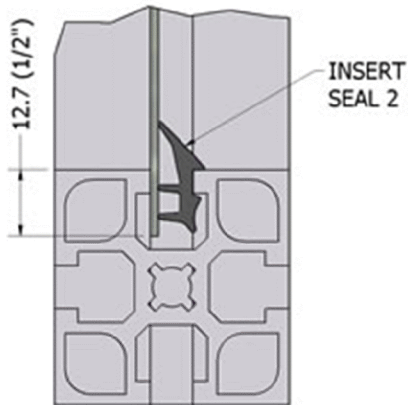
- Bolt to t-slots using M6x25 Counter Sunk Screws & M6 Square Nuts With Position Fixing

- Fasten to frame from below using the Angle 45 GD (See picture)



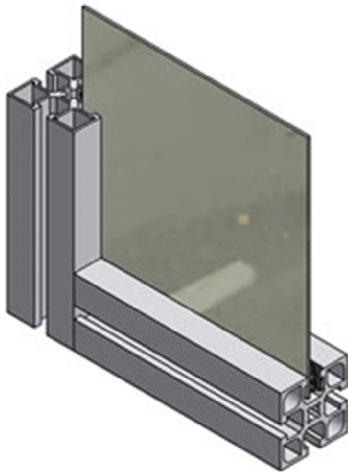
1/16" Aluminum Mill Finish

Part. N° 21.9521



APPLICATIONS

- Enclosure & machine guard walls
- Shelves



TECHN. DATA / ITEMS SUPPLIED

- 3003 Aluminum 1/16" thick
- Mill Finish
- Order cut to size +/- 1/16"
- Weight - kg

EL

News

Електролюкс
Electrolux
Macedonia
Palenzo



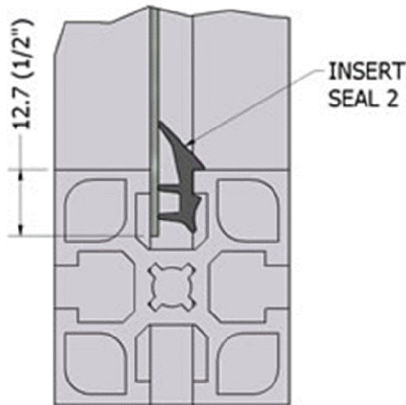
ASSEMBLY

- Fasten in t-slots with Insert Seal 2
- Bolt to t-slots using M4x16 C'Sunk screws & M4 Square Nuts
With Position Fixing



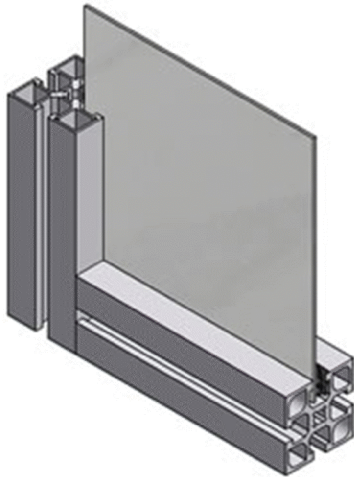
1/16" Aluminum Anodized

Part. N° 21.9521/1



APPLICATIONS

- Attractive enclosure & machine guard walls
- Shelves
- Clean room walls, partitions & enclosures
- Bed for conveyor belt



TECHN. DATA / ITEMS SUPPLIED

- 3003 Aluminum 1/16" thick
- Clear anodized on both sides
- Order cut to size +/- 1/16"



- Weight

- kg



ASSEMBLY

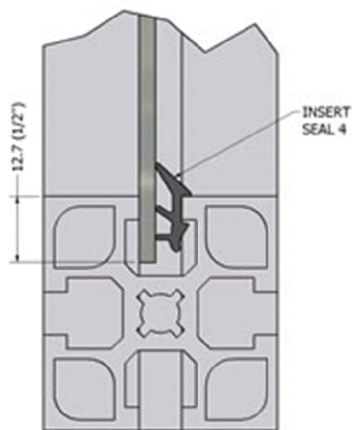
- Fasten in t-slots with Insert Seal 2

- Bolt to t-slots using M4x16 C'Sunk screws & M4 Square Nuts
With Position Fixing



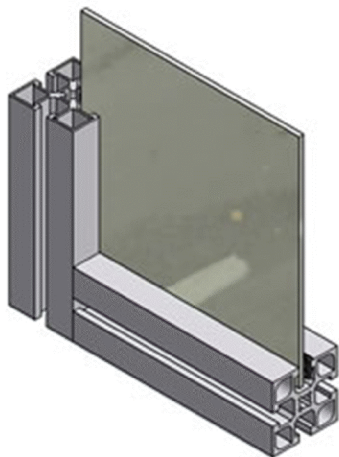
1/8" Aluminum Mill Finish

Part. N° 21.9523



APPLICATIONS

- Enclosure & machine guard walls
- Table tops & shelves



TECHN. DATA / ITEMS SUPPLIED

- 3003 Aluminum 1/8" thick
- Mill Finish
- Order cut to size +/- 1/16"
- Weight - kg

EL

News

Electrolux
Macedonia
Palenzo



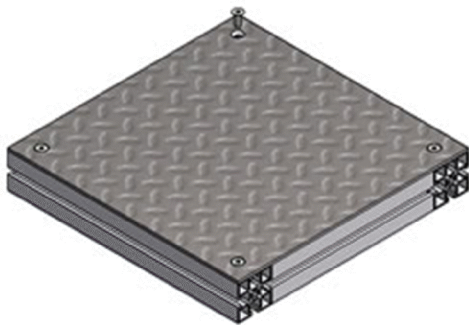
ASSEMBLY

- Fasten in t-slots with Insert Seal 4
- Bolt to t-slots using M4x16 C'Sunk screws & M4 Square Nuts
With Position Fixing



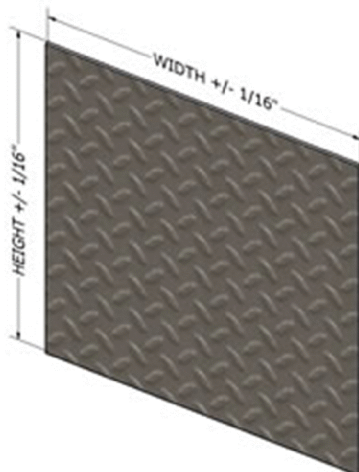
Aluminum Diamond Plate 1/8" thick

Part. N° 21.9535



APPLICATIONS

- Stairs & platforms around machinery
- Machine beds & platforms that can be lifted with a fork truck or crane
- Walk on ceilings & roofs



TECHN. DATA / ITEMS SUPPLIED

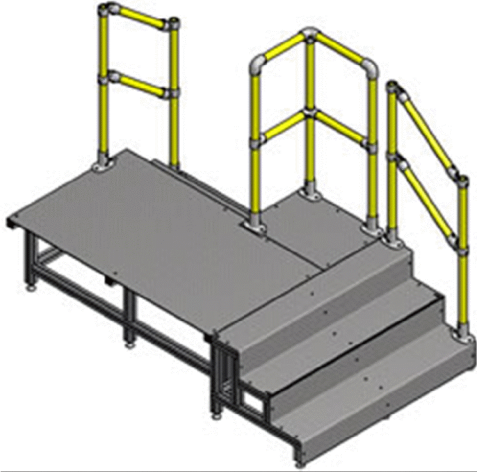
- 3003 H22/24 Aluminum 1/8" thick
- Bright finish



www.electrolux.mk www.elektroluks.mk www.elektroluks.eu
electrolux@t-home.mk elektroluks@t-home.mk



- Weight - 1.92 lb/ft²



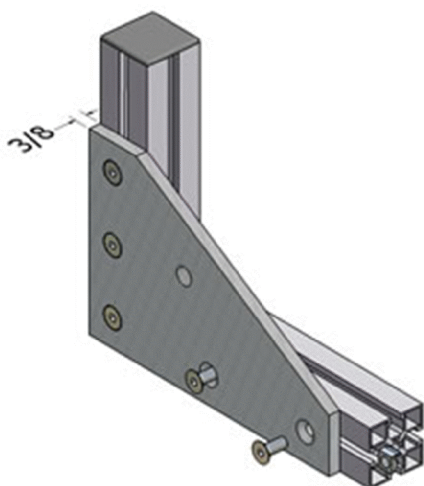
ASSEMBLY

- Bolt to profile t-slots
- Fix in profile channels using insert seal 4



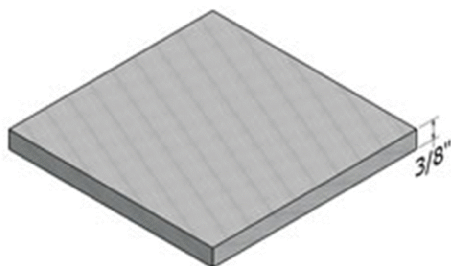
3/8" Aluminum Mill Finish

Part. N° 21.9527



APPLICATIONS

- Table tops & heavy duty shelves
- Custom brackets & mounting plates



TECHN. DATA / ITEMS SUPPLIED

- 5052 Aluminum 3/8" thick
- Mill Finish
- Order cut to size +/- 1/16"
- CNC machining available



www.electrolux.mk www.elektroluks.mk www.elektroluks.eu
electrolux@t-home.mk elektroluks@t-home.mk



(e-mail prints to sales@minitecframing.com)

- Weight - kg



ASSEMBLY

- Bolt to t-slots

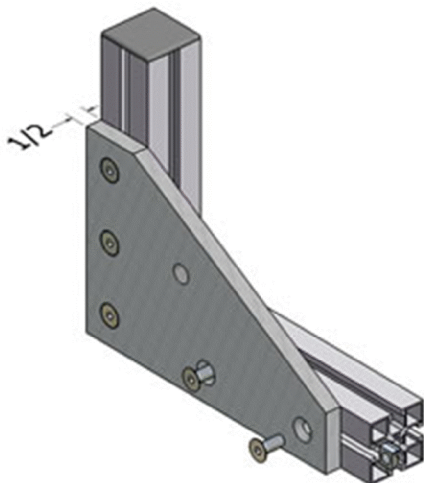
- Fasten to profile ends using M8 hardware.

(Note profile end needs to be tapped M8)



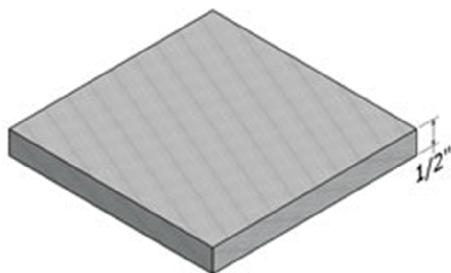
1/2" Aluminum Mill Finish

Part. N° 21.9528



APPLICATIONS

- Table tops & heavy duty shelves
- Custom brackets & mounting plates



TECHN. DATA / ITEMS SUPPLIED

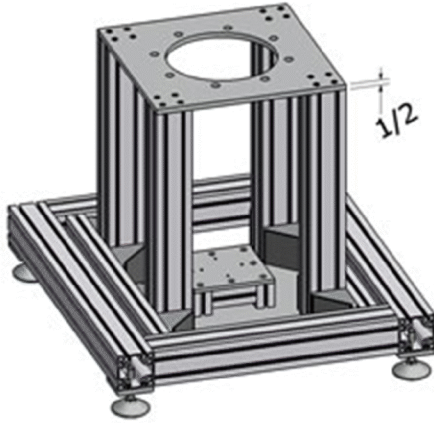
- 5052 Aluminum 1/2" thick
- Mill Finish
- Order cut to size +/- 1/16"
- CNC machining available



www.electrolux.mk www.elektroluks.mk www.elektroluks.eu
electrolux@t-home.mk elektroluks@t-home.mk

(e-mail prints to sales@minitecframing.com)

- Weight - kg



ASSEMBLY

- Bolt to t-slots

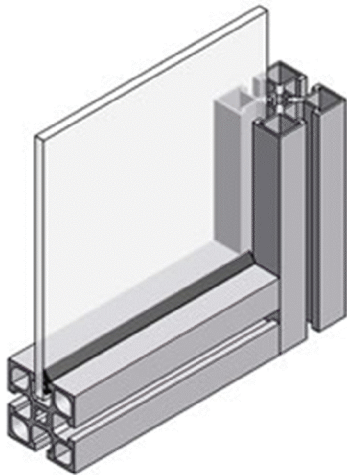
- Fasten to profile ends using M8 hardware.

(Note profile end needs to be tapped M8)



1/4" Clear Tempered Safety Glass

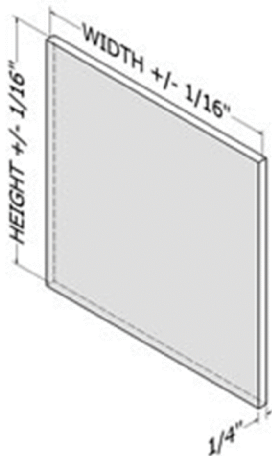
Part. N° 21.9570



APPLICATIONS

-Enclosures where chemicals will damage clear polycarbonate, part # 21.1830

- Tempered glass breaks into small pieces that are not sharp. It is commonly used for the side windows on cars



TECHN. DATA / ITEMS SUPPLIED

- Clear Tempered glass 1/4" thick

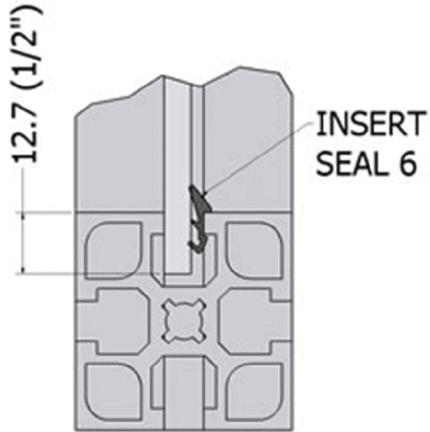
- Order cut to rectangular size +/- 1/16"

- Panel machining services available

- Weight - 3.38lbs/sqft



www.electrolux.mk www.elektroluks.mk www.elektroluks.eu
electrolux@t-home.mk elektroluks@t-home.mk



ASSEMBLY

- Frame in t-slots on all four sides & take up gap using Insert Seal 6