



# New scribing machine i113s

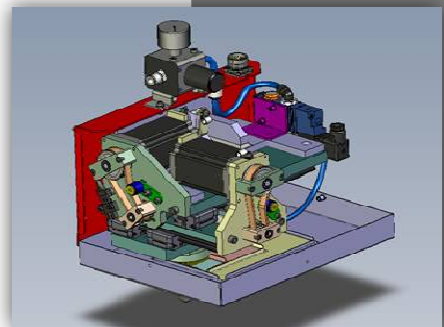
## Advantages

- Deep marking (up to 0,6mm on standard steel) with more powerful motors and stronger mechanism
- Faster marking : controlled by E8V6 software
- Stylus assembly avoiding parasite scratches thanks to a stylus position detection system
- Easy maintenance : easy housing removal + quick pneumatic plugging



## Applications

- VIN marking
- Deep scribing on beams / tubes / chassis before painting or coating



[www.sic-marking.com](http://www.sic-marking.com)

