

# NECROPSY

## Chapter 11



OK300 Downdraft T-Shaped Workstation . . . . .	408-409
OA100 Series Necropsy Tables . . . . .	410-411
OA200 Series Necropsy Tables . . . . .	412-413
Options . . . . .	414-415
OA500 Necropsy Table . . . . .	416-417
OA600 Necropsy Table . . . . .	418-419
OA700 Necropsy Table . . . . .	420-421
OA800 Necropsy Table . . . . .	422-423
OA900 Elevating Necropsy Table. . . . .	424-425
OG100/OG150 Trimming Station . . . . .	426
OG200 Trimming Station . . . . .	427
OG250 Trimming Station . . . . .	428
OG510 Portable Workstation . . . . .	429
OG900 Dualdraft Trimming Table. . . . .	430-431
OC200 Elevating Necropsy Table. . . . .	432-433
OC900 Small Necropsy Table . . . . .	434-435
OJ100 Portable Workstation . . . . .	436-437
OL100 Downdraft Bedding (Dump) Disposal. . . . .	438
OD100 Fold-up Wall Mount Table . . . . .	439
OL200 Downdraft Ventilated Necropsy Station . . . . .	440-441

# OK300 Downdraft T-Shaped Workstation



OK300 shown with optional extended spray rinse and custom built vent and utility connection.



The OK300 is a large, T-shaped, ventilated workstation designed to accommodate up to five users. Ideal for teaching applications and multiple grossing projects, the OK300 offers: ample workspace, plenty of standard features and the appropriate safety requirements to get the job done – no matter the workload.

The downdraft system provides a safe environment, removing formalin vapors down and away from the user. The entire downdraft area is available for wet use.

The heavy-duty work surface features eight removable grid plates. The entire workstation is fabricated of 14 gauge type stainless steel with a #4 satin finish. The wings are an integral part of each table providing ample work space and are supported by pedestals which contain an access panel which is easily accessible. All welds use stainless steel filler media and all exposed welds are ground smooth and grained to match the workstation's #4 satin finish. The smooth stainless steel underside makes cleaning this workstation easy.

Equipped with Mopec's DownDraft Ventilation System, the OK300 offers a large sink, measuring 18" x 18" x 7" deep (45.7 cm x 45.7 cm x 17.8 cm) at one end with central draining. Two sink rinse fixtures are standard with all sides draining to one section in the middle. Disposal is optional.

## OK300 Standard Features

**Removable perforated grid plates:** Grid plates are recessed 1/2" and supported on the table edge. Grid plates are perforated with 3/8" diameter holes on 1" centers (8 each).

**Fabrication:** All welding is TIG type with only stainless steel as a filler media.

**Faucet with Swing Spout:** A hot/cold water faucet with a single lever mixing valve is conveniently located at the top center of the large sink. The swing spout faucet includes a vacuum breaker for potable water protection.

**Sink Rinse Fixture:** Located on either side of the hot/cold water fixture are two sink rinsing fixtures with cold water spray control.

**Frame:** The frame is constructed of 1" square tubing using all welded construction.

**Utilities:** All internal plumbing and electrical lines are factory installed and require only trade hookup.

**ISO:** Quality Management System in compliance with ISO 9001:2008 and applies: Design, Engineering, Manufacturing and Installation of Equipment Distribution of Supplies for Morgue, Pathology, Histology and Necropsy Applications.

**APPROVAL:** TUV Listed & Certified: Tests to UL61010-1 :2004 standards in addition to CAN/CSA and NFPA standards. This listing covers the entire product as an entity and not just individual components.

## OK300 Optional Features

**BL800 Disposal:** Heavy-duty 1 HP disposal, complete with on/off switch, water solenoid and vacuum breaker.

**OO026 Scale Stand:** Table mounted scale support socket. The scale includes a support socket and a support tube allowing the scale to swing over and drain into the sink. Scale and pan not included.

**OO028 Replaceable Ruler Inch/Centimeter:** Washable, easy to read, inch and centimeter ruler is placed on the inside lip of the trimming area. A special coating protects the scale from most laboratory chemicals.

**OO043 Extended Spray Rinse:** Extended spray rinse allows for easy cleaning of workstation.

**OO047 Type 316 Stainless Steel:** Workstation will be constructed of type 316 stainless steel

Unit can be customized to fit your lab requirements with other additional options.

1

2

3

4

5

6

7

8

9

10

11

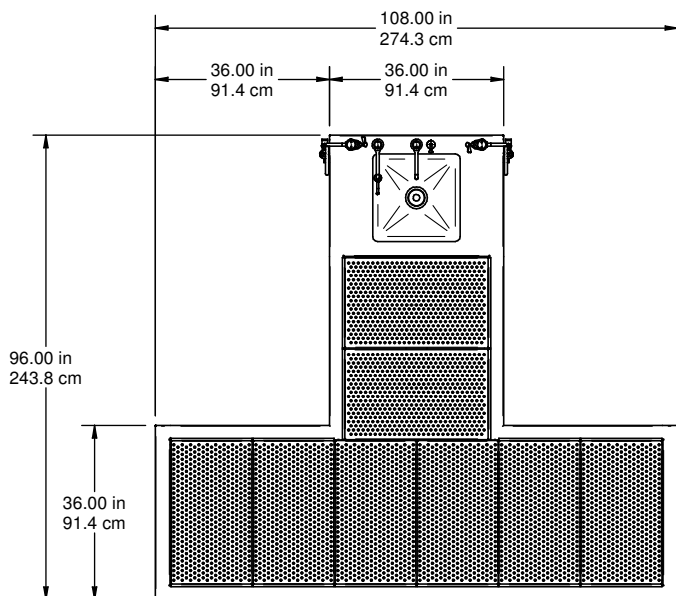
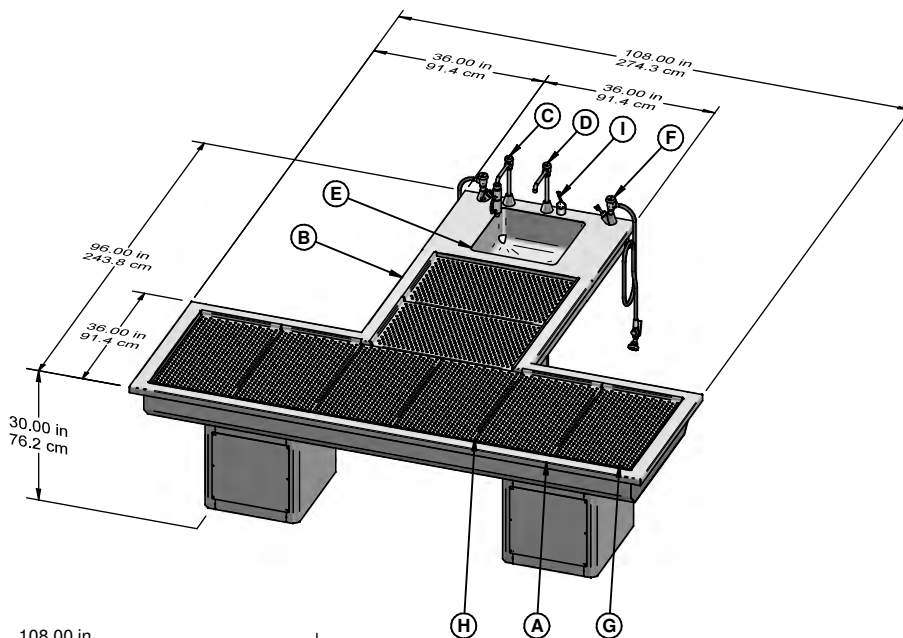
# OK300 Downdraft T-Shaped Workstation

## STANDARD FEATURES

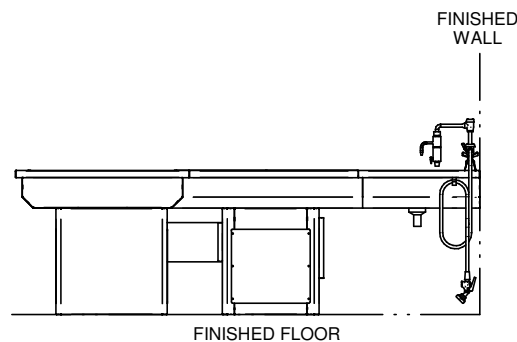
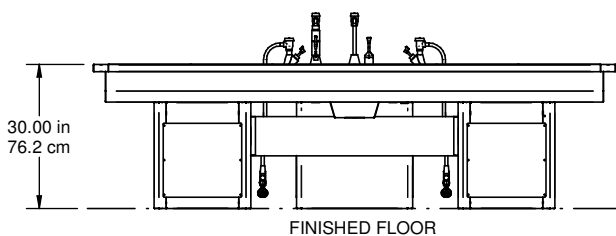
- A Table Top
- B GFCI Electrical Outlet (2)
- C Hydro Aspirator
- D Fixture w/Swing Spout
- E Sink – 18" x 18" x 7.5"
- F Hand Spray (2)
- G Removable Grid Plates (8)
- H Down Draft Ventilation System
- I Mixing Valve

## OPTIONAL FEATURES

- OO028 Inch/Centimeter Scale
- OO026 Scale Stand Table Mount
- OO043 Pull-down Sink Spray
- BL800 1 HP Disposal



UL 61010:2004  
CAN/CSA-C22.2  
NFPA 79-2002



# OA100 Series Necropsy Tables

## With Bellows Skirt

1

2

3

4

5

6

7

8

9

10

11



OA111 shown without bellows skirt



Bellows skirt

The OA Series are large capacity elevating tables capable of supporting large loads. Designed for the necropsy of large animals the OA Series is designed with a large profile marine edge to help contain fluids. The OA100 Series is also provided with a drain hole with removable perforated screen to help collect debris.

Consisting of a heavy-duty stainless steel top, these units have a hydraulic scissor lift and hydraulic pump unit. The OA Series are designed to handle a centralized load of 5,000 pounds and an offset load of 2,500 pounds. Lift has a capacity up to 5,000 pounds. Designed to stand on its own or within a pit in the room, in its lowered position, the table will be flush with the finish floor line. Available in a rectangular or kidney shape and with or without casters, the standard table is capable of raising 42". Standard table top is 48" wide and 84" long. Easy to use elevation control.

### OA Series Standard Features

**Table Top:** The table top consists of 11 gauge stainless steel with a #4 satin finish. The top piece is fabricated with a 3-1/2" perimeter raised at an angle of about 12°. This flanged edge is used around the full perimeter.

**Table Drain:** Two drain cones lead into a large free flowing drain hole. The drain hole will have a drain cone welded in with a continuous weld.

**Welds:** All welds shall be a continuous TIG type utilizing only stainless steel as a filler. Any exposed welds shall be ground smooth and regrained to match the #4 satin finish.

**Scissor Lift:** The scissor lift is fabricated utilizing heavy-duty welded structural steel. The base frame and top frame are fabricated of three inch channel steel with a 1/4 inch thick wall for the guide members and three inch angle with 1/4 inch thick wall for the end plates. The scissor lift arm assemblies are fabricated of three inch thick heavy bar steel, welded, machined and

inspected for absolute conformance. All pivot points and rollers are fitted with grease fittings and contain molybdenum disulfide grease such as Molub-Alloy No. 2. The collapsed height is 8" and the vertical travel is 42" (106.6 cm) yielding a 50" (127 cm) extended height.

**Hydraulics:** The hydraulic system consists of a directly-coupled motor and pump combination, oil reservoir, solenoid operated lowering valve and the necessary piping. The electric motor is capable of withstanding high pressure washdowns with use of bellows. The unit is completely assembled with solenoid valve, check valve, filler breather, pressure compensated flow control valve, electrical control and relief valve. The pump unit is assembled and tested at the factory.

**ISO:** Quality Management System in compliance with ISO 9001:2008 and applies: Design, Engineering, Manufacturing and Installation of Equipment Distribution of Supplies for Morgue, Pathology, Histology and Necropsy Applications.

**APPROVAL:** TUV Listed & Certified: Tests to UL61010-1 :2004 standards in addition to CAN/CSA and NFPA standards. This listing covers the entire product as an entity and not just individual components.

### OA Series Optional Features

**00048 NEMA 4 Washdown:** Able to withstand pressure washing applications

Unit can be customized to fit your lab requirements with other additional options.

### Product Description

**Product No. OA100 — Rectangular**

**Product No. OA101 — Rectangular on Casters**

**Product No. OA110 — Kidney Shape**

**Product No. OA111 — Kidney Shape on Casters**



# OA100 Series Necropsy Tables

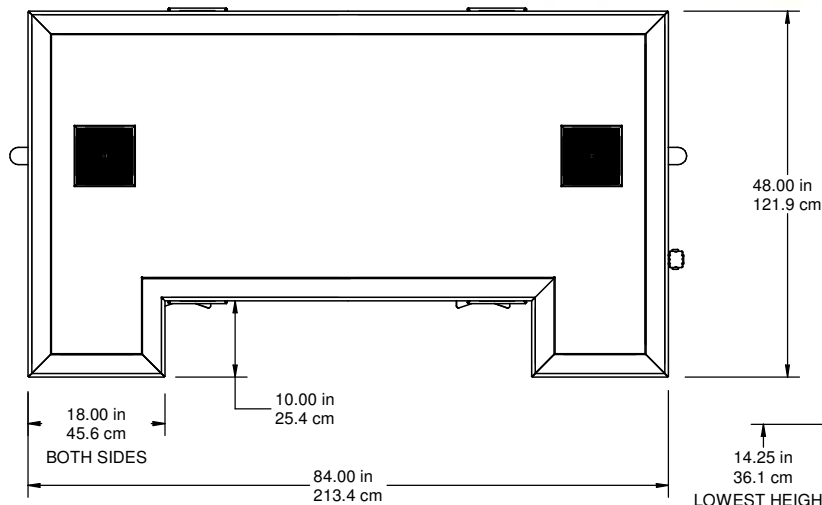
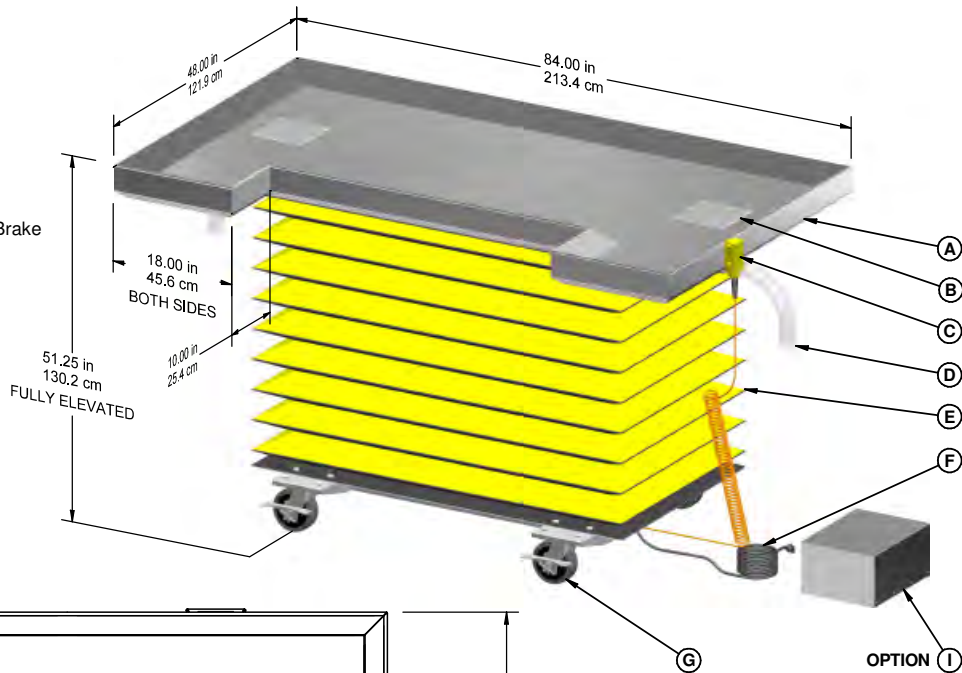
## With Bellows Skirt

### STANDARD FEATURES:

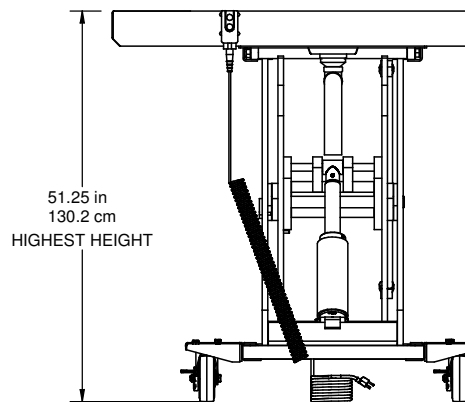
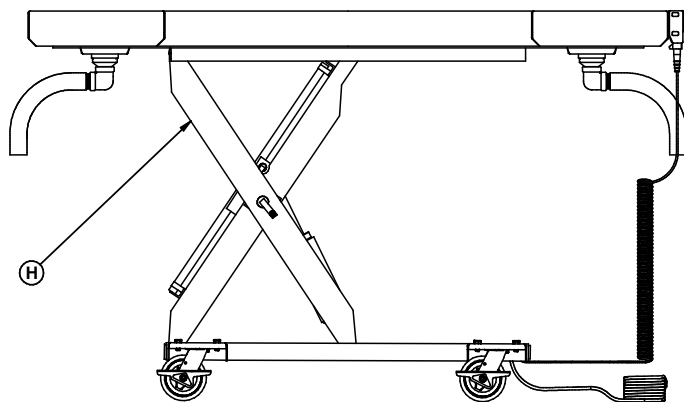
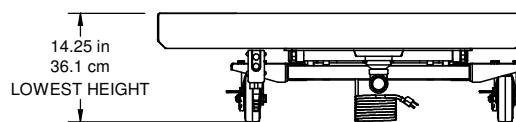
- A Kidney Shape Table Top
- B Removable Catch Screen with Drain Cone Basket
- C Hand Held Lift Controller
- D Flexible Drain Hose
- E Accordion Style Bellows
- F Power cord
- G 6" Caster Wheel with Swivel & Brake
- H Electro-Hydraulic Scissor Lift

### OPTIONAL FEATURES:

- I OO048 NEMA 4 WASHDOWN



UL 61010:2004  
CAN/CSA-C22.2  
NFPA 79-2002



# OA200 Series Necropsy Tables

## With Bellows Skirt

1

2

3

4

5

6

7

8

9

10

11



OA211 shown without bellows skirt



OA200 Series with modified top, handle and NEMA 4 remote power distribution box

The OA200 Series are large capacity elevating tables capable of supporting heavy loads. Designed for necropsy on large animals, the OA200 Series are designed so that when it initially elevates, a tilt will be incurred allowing for the mechanism that holds the animal to be locked securely in place and not roll off the table. Designed to handle a centralized load of 5,000 pounds and an offset load of 2,500 pounds. Lift has a capacity of 5,000 pounds. The OA200 Series is also provided with a drain hole with removable perforated screen to help collect debris.

The table consists of a heavy-duty stainless steel top, hydraulic scissor lift and hydraulic pump unit. Designed to fit within a pit of the room in its lowered position, the tables will be flush with the finish floor line. Available in a rectangular or kidney shape and with or without casters. The standard top is capable of raising 42". Standard table top is 48" wide and 84" long.

### OA Series Standard Features

**Table Top:** The table top consists of 11 gauge stainless steel with a #4 satin finish. The top piece is fabricated with a 3-1/2" perimeter raised at an angle of about 12°.

**Table Drain:** Two drain cones lead into a large free flowing drain hole. The drain hole will have a drain cone welded in with a continuous weld.

**Welds:** All welds are a continuous type TIG weld utilizing only stainless steel as a filler. Any exposed welds are ground smooth and regreined to match the #4 satin finish.

**Heavy-Duty Scissor Lift:** The scissor lift is fabricated for heavy-duty use utilizing heavy-duty welded structural steel. The base frame and top frame are fabricated of 3" channel steel with a 1/4" thick wall for the guide members and 3" angle with 1/4" thick wall or the end plates. The scissor lift arm assemblies are fabricated of 3" thick heavy bar steel, welded, drilled and inspected for absolute conformance. All pivot points and rollers are fitted with

grease fittings and contain molybdenum disulfide grease such as Molub-Alloy No. 2. The collapsed height is 8" and the vertical travel is 42" (106.6 cm) yielding a 50" (127 cm) extended height. The scissor lift is capable of a 2500 pound offset load and 5000 pounds centrally loaded.

**Hydraulics:** The hydraulic system consists of a directly coupled motor and pump combination, oil reservoir, solenoid operated lowering valve and the necessary piping. The electric motor is a wash down motor capable of withstanding high pressure washdowns. The unit is completely assembled with solenoid valve, check valve, filler breather, pressure compensated flow control valve, electrical control and relief valve. The pump unit is assembled and tested at the factory.

**ISO:** Quality Management System in compliance with ISO 9001:2008 and applies: Design, Engineering, Manufacturing and Installation of Equipment Distribution of Supplies for Morgue, Pathology, Histology and Necropsy Applications.

**APPROVAL:** TUV Listed & Certified: Tests to UL61010-1 :2004 standards in addition to CAN/CSA and NFPA standards. This listing covers the entire product as an entity and not just individual components.

### OA Series Optional Features

**0048 NEMA 4 Washdown:** Able to withstand pressure washing applications

Unit can be customized to fit your lab requirements with other additional options.

### Product Description

**Product No. OA200 — Rectangular, Tilting**

**Product No. OA201 — Rectangular, Tilting on casters**

**Product No. OA210 — Kidney Shape, Tilting**

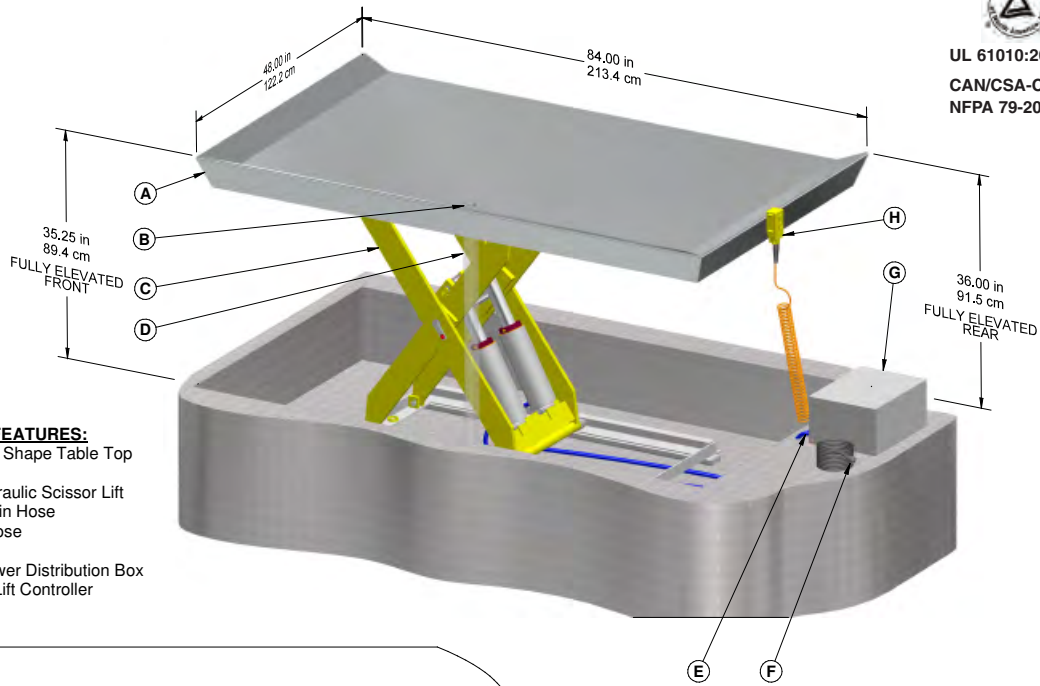
**Product No. OA211 — Kidney Shape, Tilting on casters**

# OA200 Series Necropsy Tables

## With Bellows Skirting

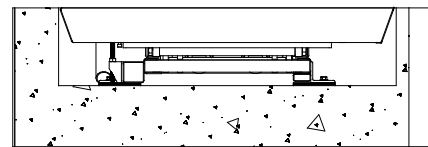
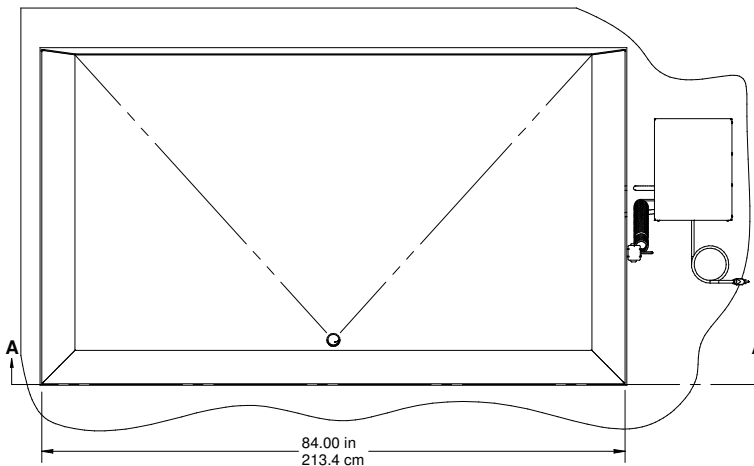


UL 61010:2004  
CAN/CSA-C22.2  
NFPA 79-2002

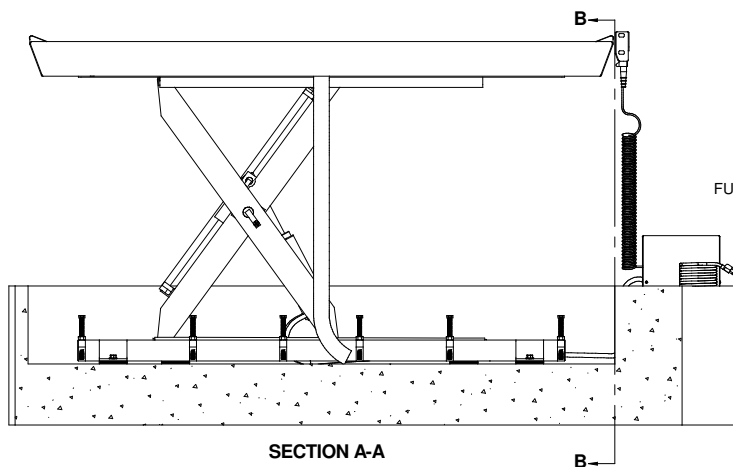


**STANDARD FEATURES:**

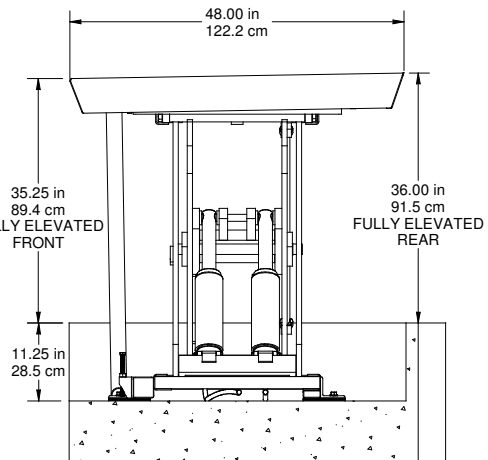
- A Rectangular Shape Table Top
- B Drain
- C Electro-Hydraulic Scissor Lift
- D Flexible Drain Hose
- E Hydraulic Hose
- F Power cord
- G Remote Power Distribution Box
- H Hand Held Lift Controller



OA200 IN THE LOWER POSITION



SECTION A-A



SECTION B-B



# Necropsy Optional Features

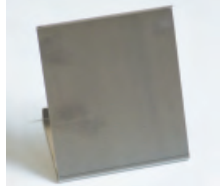
1

Listed below are several popular options available for your workstation or table. Other options are available, please check with a Mopec Representative to see what options are available for your specific workstation.

2

## 00004 Dictation Equipment Stand

Angled surface for easy viewing and operating of most dictation systems. Dictation stand is portable and can be placed anywhere. Constructed of stainless steel.



3

## 00007 Foot Pedal

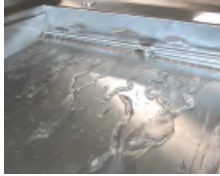
Includes a dual foot pedal H/C water control valve and swing spout faucet for hands free control. Eliminates the need for wrist blade handle with this option.



4

## 00008 Rinse Bar

Rinse bar fixture consists of a cold water control valve, vacuum breaker protection and stainless steel water manifold. When the water is turned on, a flood of water continuously rinses the sink well to eliminate build up of fluids within the downdraft chamber.



5

## 00009 Safety Splash Shield

Lexan shield on flexible arm for easy positioning provides an additional shield between you and the specimen.



6

## 00010 Hand Spray Rinse

Chrome plated, brass hand sprayer with soft spray head for controlled rinsing of work surface. Complete with 60" (152.4 cm) high-pressure hose for heavy-duty use. Control valve included for pressure control, along with atmospheric vacuum breaker for water protection.



7

## 00011 Halogen Light Magnifier

Hands free poly magnifier, with 4X magnification. Must order with either: MB016 Halogen Task Lighting - Dual, or MB022 Halogen Task Light - Single



8

## 00014 Video Camera Arm

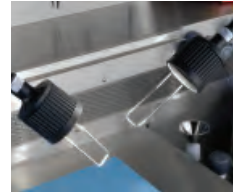
Facilitates the easy positioning of your video camera over the length of your trimming station via an articulated arm and aluminum slide extrusion. Video camera not included.



9

## 00015 Halogen Task Lighting – Dual

Two 20 watt halogen task lights, centered over the trimming area. Mounted overhead with 20" (50.8 cm) flexible arms allowing for easy positioning of task lights. Replacement halogen bulbs available, order BB039.



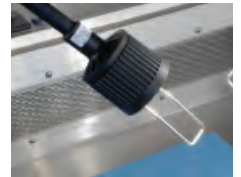
## 00018 Formalin Collection System

System includes: collection funnel with fine-particle tissue screen, 2.5 gallon (9.5 L) waste collection carboy with easy grip handles, piping to waste carboy, quick disconnects and safety caps for disposal or recycling. Formalin not included. Additional Fine -Particle Tissue Screens available, see BA077.



## 00020 Halogen Task Light Single

One 20 watt halogen light centered over the dissection area. Mounted overhead with a 20" (50.8 cm) flexible arm allowing for easy positioning of task light. Replacement halogen bulbs available, order BB039.



## 00024 Magnetic Tool Bar

Conveniently mounted tool bar organizes and stores your most commonly used instruments easily within easy reach. Instruments not included.



## 00025 Table Perimeter Rinse

Provides a consistent three or four sided rinse for work surface. Virtually eliminates the accumulation of debris and fluids in the dissection area. Control valve included for water flow adjustment.



## 00026 Scale Stand Table Mount

Table mounted scale support socket. The stand includes a support socket and a support tube allowing the scale to swing over and drain into the sink. Scale and pan not included.



## 00028 Replaceable Ruler Inch/Centimeter

Washable, easy to read, inch and centimeter ruler is placed on the inside lip of the trimming area. A special coating protects the scale from most laboratory chemicals.



## 00029 Sink Grid Plate

Constructed of stainless steel, positioned under faucet. Measures 9" L x 7" W x 4" D.



10

11



# Necropsy Optional Features

## 00030 Formalin Dispensing System

Contained within the trimming station, system includes 5-1/2 gallon (20.8 L) dispensing carboy, pump and back-splash mounted valve. Indicator lights for high/low formalin liquid levels in carboy. Formalin not included.



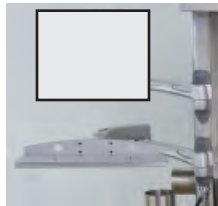
## 00032 Computer CPU Bracket

Adjustable mounting bracket for your CPU, keyed to mounting plate with two pins for easy removal or installation. Includes additional water tight GFCI; located on outside panel of unit, opposite of the sink. Computer not included.



## 00033 LCD Flat Screen/Keyboard Adjustable Arm System

Allows easy positioning of your mounted flat screen and keyboard for greater visibility. Effortlessly reposition your display up, down, forward, and/or back; to the most comfortable interactive position for seated or standing use. Flat screen, monitor, keyboard and computer not included.



## 00035 Shelves and Adjustable Brackets

14" x 8" (35.5 cm x 20.3 cm) stainless steel shelf vertically adjusts to accommodate storage needs.



## 00036 Safety Eye Wash - Splash Mount

Splash mounted safety eyewash with gentle eye spray head, self coiling retractable hose and handpiece hanger.



## 00038 Gas Valve - Splash Mount

## 00045 Gas Valve - Deck Mount

Laboratory gas fitting with 1/4 turn on/off valve and serrated hose fitting.



00038 - splash mount style



00045 - deck mount style

## 00039 Air Valve - Splash Mount

## 00046 Air Valve - Deck Mount

Laboratory air fitting with 1/4 turn on/off valve and serrated hose fitting.



## 00040 Magnehelic Velocity Indicator Gauge

The magnehelic is a gauge designed to measure fan and blower pressures, and filter resistance.

## 00042 IV Pole

Stainless steel IV pole can be placed on any table. Pole features a dual hook and includes a holder that allows for height adjustment or removal of the pole when not in use.



## 00043 Extended Hand Spray Rinse

Extended spray rinse allows for easy cleaning of workstation.



## 00047 Type 316 Stainless

Workstation or table will be constructed of type 316 stainless steel.

## 00048 NEMA 4 Washdown

Able to withstand pressure washing applications.



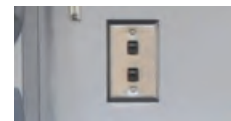
## BL800 Waste Disposal

Heavy-duty 1 HP disposal, complete with on/off switch, water solenoid, vacuum breaker.



## CP001 Communication Port

Two port Ethernet receptacle allows for connection to in house network. Requires facilities network tie-in.



## CP002 Communication Wire Chase

Conduit organizes network cables, eliminating clutter around your workstation



## BL007 Laboratory Mixing Faucet

Dual hand/foot water control faucet includes wrist blade handles. For use with standard foot pedals

## BL047 Laboratory Mixing Faucet

Dual hand/foot water control faucet includes wrist blade handles. For use with pneumatic foot pedals

## SA100 Seismic Anchoring Bracket

Heavy duty vibration control mounts.

- 1
- 2
- 3
- 4
- 5
- 6
- 7
- 8
- 9
- 10
- 11

# OA500 Necropsy Table

## Rotating Pedestal Mount Necropsy/Dissection Table

1

2

3

4

5

6

7

8

9

10

11



Shown here without perforated grid plates - modified

The OA500 Necropsy/Dissection Table is a pedestal design that incorporates all of the features necessary to efficiently complete a necropsy. Suited for smaller work areas, the OA500 necropsy table is shorter than conventional models and rotates allowing more versatile design applications. Mopec exclusively utilizes eight stainless steel bearings for a smooth, accurate and virtually effortless 180° motion. Standard design features include Mopec's exclusive downdraft ventilation system that draws air into the center pedestal of the table.

### OA500 Standard Features

**Table Top:** The table is fabricated of 14 gauge type 304 stainless steel with a #4 satin finish.

**Hydro-Aspirator:** Located on the end of the table, the aspirator has a reversing valve to clear the aspirator of any foreign matter. The aspirator is designed to drain into the sink's recessed top for collection or disposal and is completely plumbed with control valve, vacuum breaker and tubing.

**Water Fixture with Swing Spout:** Swing spout faucet has a vacuum breaker and a single lever hot/cold control mixing valve.

**Pedestal:** Table pedestal is fabricated of 11 gauge stainless steel with a #4 satin finish.

**Perforated Grid Plate:** Contains three grid plates constructed of 14 gauge stainless steel with a #4 satin finish.

**ISO:** Quality Management System in compliance with ISO 9001:2008 and applies: Design, Engineering, Manufacturing and Installation of Equipment Distribution of Supplies for Morgue, Pathology, Histology and Necropsy Applications.

**APPROVAL:** TUV Listed & Certified: Tests to UL61010-1 :2004 standards in addition to CAN/CSA and NFPA standards. This listing covers the entire product as an entity and not just individual components.



Table rotates 180 degrees



### OA500 Optional Features

**OO010 Hand Spray Rinse:** Chrome plated, brass hand sprayer with soft spray head for controlled rinsing of work surface. Complete with 60" (152.4 cm) high-pressure hose for heavy-duty use. Control valve included for pressure control, along with atmospheric vacuum breaker for water protection.

**OO025 Table Perimeter Rinse System:** Provides a consistent, three sided rinse to work surface. Virtually eliminates the accumulation of debris and fluids in the dissection area. Control valve included for water flow adjustment.

**OO026 Scale Stand:** Table mounted scale support socket. The stand includes a support socket and a support tube allowing the scale to swing over and drain into the sink. Scale and pan not included.

**OO047 Type 316 Stainless Steel:** Table will be constructed of type 316 stainless steel.

# OA500 Necropsy Table

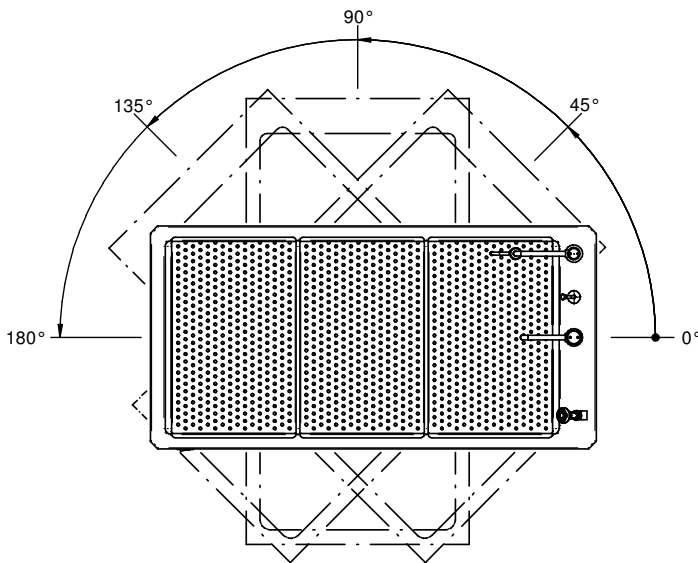
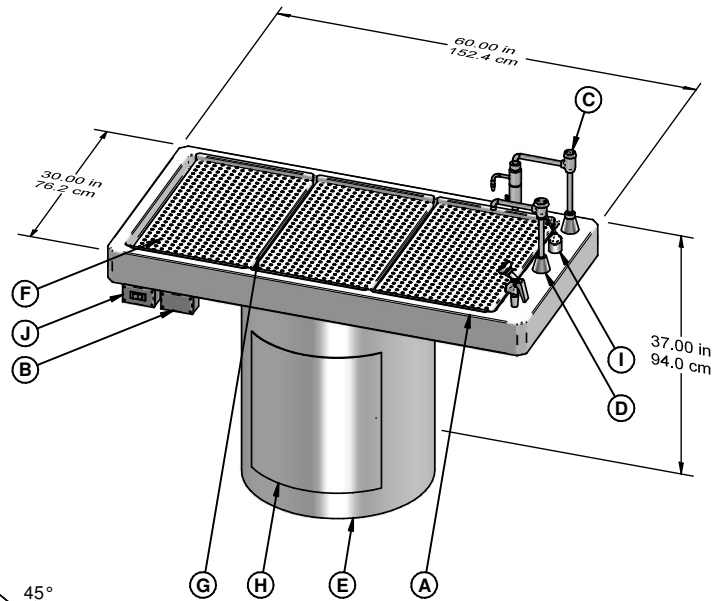
## Rotating Pedestal Mount Necropsy/Dissection Table

### STANDARD FEATURES

- A Table Top
- B GFCI Electrical Outlet (2)
- C Hydro Aspirator
- D Fixture w/Swing Spout
- E Rotating Pedestal
- F Removable Grid Plates (3)
- G Down Draft Ventilation System
- H Access Panel
- I Mixing Valve
- J Main Circuit Breaker Switch

### OPTIONAL FEATURES

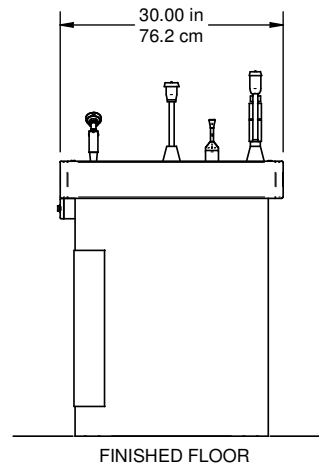
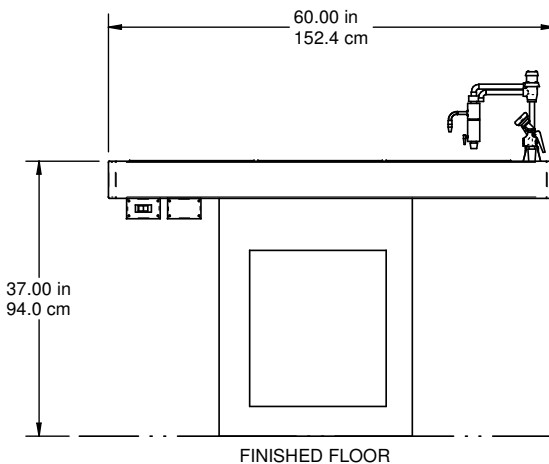
- OO010 Hand Spray Rinse
- OO025 Autopsy Table Perimeter Rinse Assembly
- OO026 Scale Stand Table Mount



UL 61010:2004

CAN/CSA-C22.2

NFPA 79-2002





# OA600 Necropsy/Dissection Table

1

2

3

4

5

6

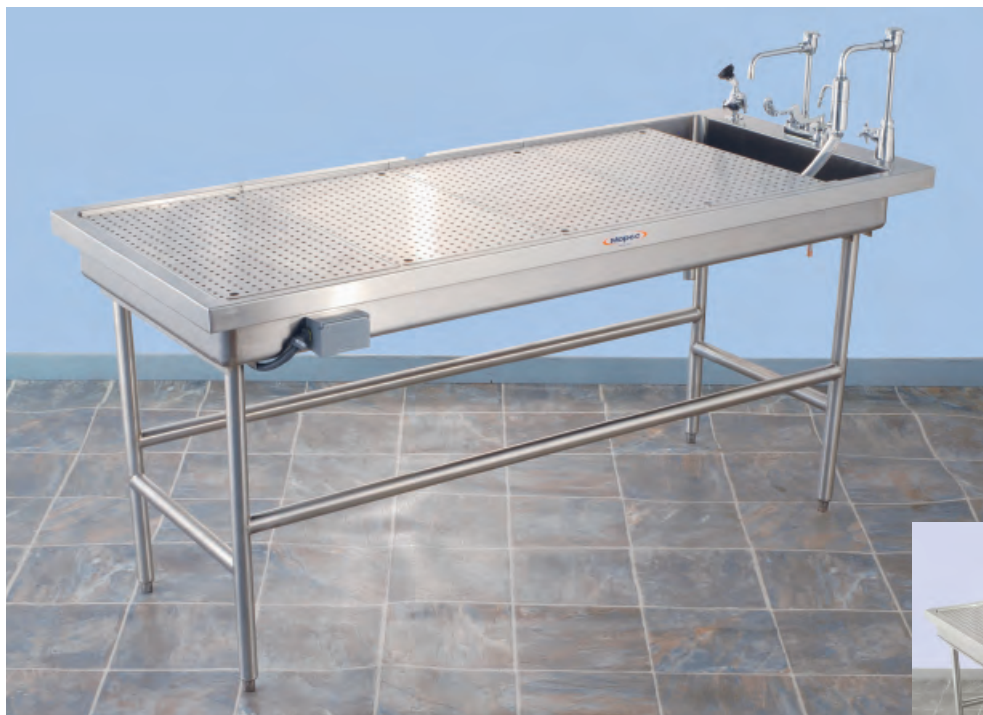
7

8

9

10

11



OA600 Necropsy Table with optional (OO010) Hand Spray Rinse



The OA600 has removable, perforated grid plates

The OA600 Necropsy Table is an economical trimming table, ideal for small and large laboratories. The OA600 has a large single compartment sink basin allowing for easy and convenient handling of large specimens and/or containers. Optional perimeter rinse and hand spray rinse features keep the workstation clean. The simple construction allows for a clean, safe and efficient necropsy. Weight capacity is 500 pounds.

## OA600 Standard Features

**Table Top:** The table top is constructed of 14 gauge stainless steel with a #4 satin finish. The top is 6" deep and is creased toward the sink basin.

**Table Frame:** 1-5/8" diameter welded leg frame construction with adjustable bullet feet.

**Hydro-Aspirator:** Located on the end of the table, the aspirator has a reversing valve to clear the aspirator of any foreign matter. The aspirator is designed to drain into the sink basin for collection or disposal and is completely plumbed with control valve, vacuum breaker and tubing.

**Work Fixture with Swing Spout:** Hot/cold faucet comes equipped with a vacuum breaker and single lever control mixing valve.

**Grid Plates:** Four stainless steel interchangeable perforated grid plates. Each grid plate is slightly recessed to keep all fluids contained.

**ISO:** Quality Management System in compliance with ISO 9001:2008 and applies: Design, Engineering, Manufacturing and Installation of Equipment Distribution of Supplies for Morgue, Pathology, Histology and Necropsy Applications.

**APPROVAL:** TUV Listed & Certified: Tests to UL61010-1 :2004 standards in addition to CAN/CSA and NFPA standards. This listing covers the entire product as an entity and not just individual components.

## OA600 Optional Features

**BL800 Disposal:** Heavy-duty 1 HP disposal, complete with on/off switch, water solenoid and vacuum breaker.

**OO007 Foot Pedal:** Includes a dual foot pedal H/C water control valve and swing spout faucet for hands free control. Wrist blade handle controls are eliminated with this option.

**OO010 Hand Spray Rinse:** Chrome plated, brass hand sprayer with soft spray head for controlled rinsing of work surface. Complete wit 60" (152.4 cm) high-pressure hose for heavy-duty use. Control valve included for pressure control, along with atmospheric vacuum breaker for water protection.

**OO025 Table Perimeter Rinse System:** Provides a consistent, three or four sided rinse to work surface. Virtually eliminates the accumulation of debris and fluids in the dissection area. Control valve included for water flow adjustment.

**OO026 Scale Stand:** Table mounted scale support socket. The stand includes a support socket and a support tube allowing the scale to swing over and drain into the sink. Scale and pan not included.

**OO047 Type 316 Stainless Steel:** Table will be constructed of type 316 stainless steel.

Unit can be customized to fit your lab requirements with other additional options.



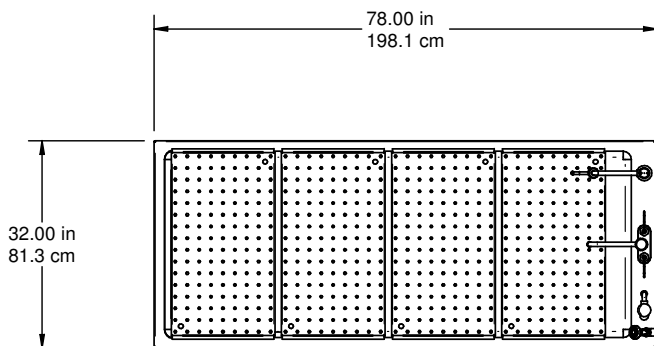
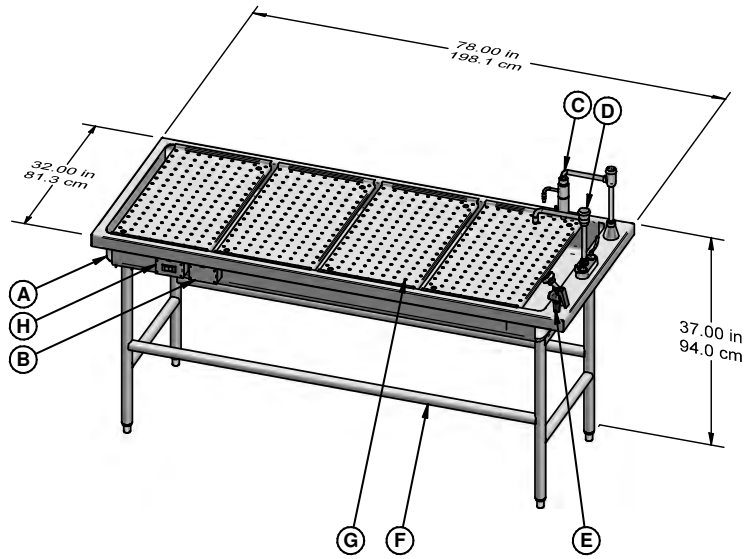
# OA600 Necropsy/Dissection Table

## STANDARD FEATURES

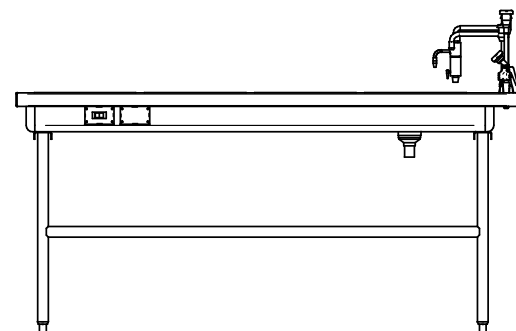
- A Table Top
- B GFCI Electrical Outlet (2)
- C Hydro Aspirator
- D Fixture w/Swing Spout
- E Hand Spray
- F Leg Frame
- G Removable Grid Plates (4)
- H Main Circuit Breaker Switch

## OPTIONAL FEATURES

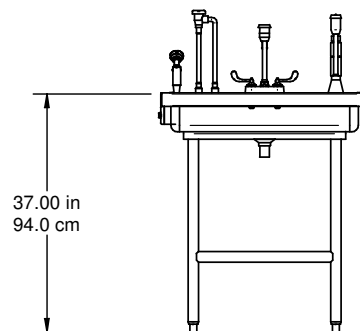
- OO007 Foot Pedal
- OO025 Table Perimeter Rinse System
- OO026 Scale Stand Table Mount
- OO028 Inch/Centimeter Scale
- BL800 1 HP Disposal



UL 61010:2004  
CAN/CSA-C22.2  
NFPA 79-2002



FINISHED FLOOR



FINISHED FLOOR



# OA700 Necropsy Table

1

2

3

4

5



OA700 modified with extra grid plates



Sink grid plate option OO029

6

Standard design features of the OA700 include Mopec's exclusive downdraft ventilation system that draws air into the center of the table, pulling the odors away from the user. The built-in baffle system allows consistent airflow from one end of the table to the other. Full sized integrally constructed table available with table flush system, the table can remain clean and sanitary.

7

## OA700 Standard Features

**Base & Plenum:** Fabricated of 18 and 16 gauge stainless steel with a #4 satin finish.

**Fixture with Swing Spout:** Hot and cold water fixture with convenient wrist blade handles, gooseneck faucet and vacuum breaker fixture mounted directly on faucet.

**Perforated Grid Plates:** Three grid plates fabricated of 14 gauge stainless steel and are completely interchangeable.

**Inner Baffling:** The inner baffling is full length and completely removable for cleaning. Fabricated of 18 and 11 gauge stainless steel with a #4 satin finish.

**Support Pedestal:** The support pedestal is complete with access panels at each end. Designed for heavy-duty use, the support pedestals are provided with reinforced corners and a double flanged leveling frame assembly. Each pedestal is also fitted with a corner reinforcement and adjustable bolt for leveling during installation.

**Hand Spray Rinse:** Chrome plated, brass hand sprayer with soft spray head for controlled rinsing of work surface. Complete with 60" (152.4 cm) high-pressure hose for heavy-duty use. Control valve included for pressure control, along with atmospheric vacuum breaker for water protection.

**Electrical Receptacle:** Two (2 each) electrical receptacles are provided and located on each side of the pedestal. The receptacles are GFCI type with watertight cover.

**ISO:** Quality Management System in compliance with ISO 9001:2008 and applies: Design, Engineering, Manufacturing and Installation of Equipment Distribution of Supplies for Morgue, Pathology, Histology and Necropsy Applications.

**APPROVAL:** TUV Listed & Certified: Tests to UL61010-1 :2004 standards in addition to CAN/CSA and NFPA standards. This listing covers the entire product as an entity and not just individual components.

## OA700 Optional Features

**BL800 Disposal:** Heavy-duty 1 HP disposal, complete with on/off switch, water solenoid and vacuum breaker.

**OO007 Foot Pedal:** Includes a dual foot pedal H/C water control valve and swing spout faucet for hands free control. Wrist blade handle controls are eliminated with this option.

**OO008 Rinse Bar:** Rinse bar fixture located at one end of table consists of a cold-water control valve, vacuum breaker protection and stainless steel water manifold. When the water is turned on, a flood of water continuously rinses under the grid plates which helps eliminate build up of fluids within the downdraft chamber.

**OO029 Sink Grid Plate:** Constructed of stainless steel, positioned under faucet on low end of unit.

**OO026 Scale Stand:** Table mounted scale support socket. The stand includes a support socket and a support tube allowing the scale to swing over and drain into the sink. Scale and pan not included.

**OO047 Type 316 Stainless Steel:** Table will be constructed of type 316 stainless steel.

Unit can be customized to fit your lab requirements with other additional options.

10

11

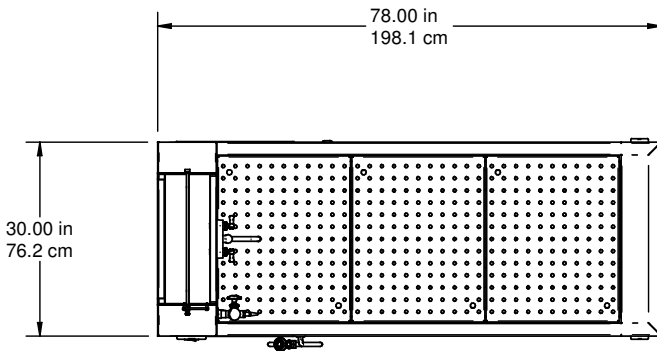
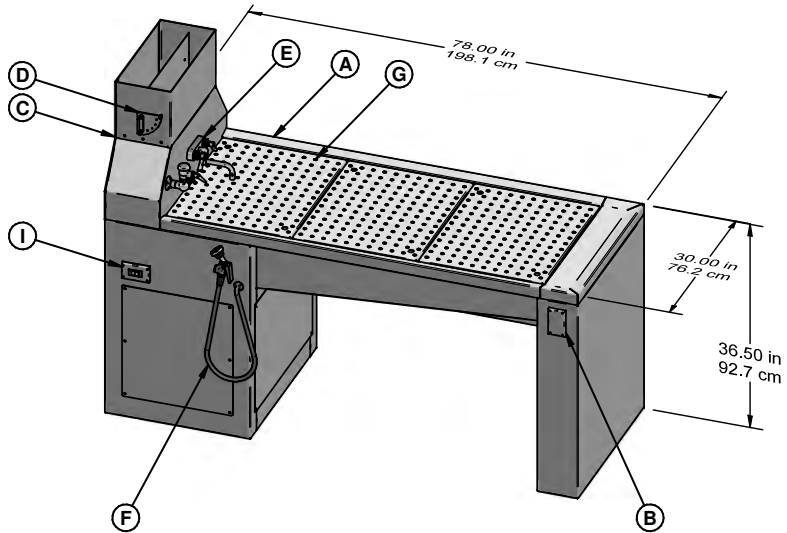
# OA700 Necropsy Table

## STANDARD FEATURES

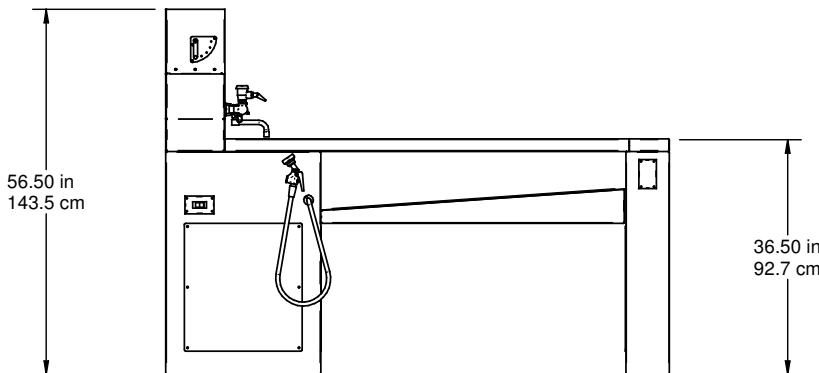
- A Table Top
- B GFCI Electrical Outlet (2)
- C Adjustable Exhaust-Flow Chamber
- D Exhaust control
- E Fixture w/Swing Spout
- F Hand Spray
- G Removable Grid Plates (3)
- H Removable Exhaust baffles (3, not shown)
- I Main Circuit Breaker Switch

## OPTIONAL FEATURES

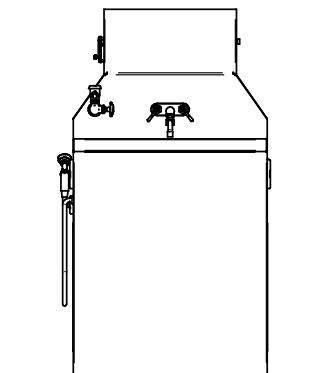
- OO007 Foot Pedal
- OO008 Rinse Bar
- OO026 Scale Stand Table Mount
- OO029 Sink Grid Plate
- BL800 1 HP Disposal



UL 61010:2004  
CAN/CSA-C22.2  
NFPA 79-2002



FINISHED FLOOR



FINISHED FLOOR



# OA800 Necropsy Table

1

The OA800 Workstation as shown is ventilated with Mopec's Downdraft System. Designed to provide a safe and effective vented workstation for necropsy and trimming. The inner baffling system helps provide a consistently even Downdraft surface velocity across the entire work surface.

2

## OA800 Standard Features

**Sink:** Integrally constructed within the table the sink is 11" L x 20" W x 10" D opposite the ventilation duct. Utilizes 14 gauge stainless steel.

3

**Downdraft Ventilation System:** All stainless steel construction Mopec's Downdraft Ventilation System is designed so that air is pulled down and away from the user and is consistent at any area of the work surface. The internal baffle system helps provide a means of distributing the air evenly across the work surface.

4

**Perforated Grid Plates:** Each of the three grid plates are stainless steel construction and are perforated. The grid plate is self-supporting and fabricated with a single flange eliminating any unseen areas that will accumulate bacteria. Finger slots are provided for easy handling. Constructed of 16 gauge stainless steel.

5

**Support Pedestal:** The support pedestal is complete with access door. Designed for heavy-duty use the support pedestal is provided with reinforced corners and double flanged leveling frame assembly.

6

**Water Fixture with Swing Spout:** At each end of the table a fixture is provided with wrist blade handles and large swing spout faucet with vacuum breaker protection.

7

**Electrical Receptacle:** Two GFCI protected duplex receptacles are included, completely wired and ready for use.

8

**Construction:** The construction is superior utilizing TIG welding on all seams and mating sections which are then ground smooth and regrained to match the #4 satin factory finish.

9

**Hand Spray Rinse:** Chrome plated, brass hand sprayer with soft spray head for controlled rinsing of work surface. Complete with 60" (152.4 cm) high-pressure hose for heavy-duty use. Control valve included for pressure control, along with atmospheric vacuum breaker for water protection.

10

**ISO:** Quality Management System in compliance with ISO 9001:2008 and applies: Design, Engineering, Manufacturing and Installation of Equipment Distribution of Supplies for Morgue, Pathology, Histology and Necropsy Applications.

11

**APPROVAL:** TUV Listed & Certified: Tests to UL61010-1 :2004 standards in addition to CAN/CSA and NFPA standards. This listing covers the entire product as an entity and not just individual components.

## OA800 Optional Features

**OO007 Foot Pedal:** Includes a dual foot pedal H/C water control valve and swing spout faucet for hands free control. Wrist blade handle controls are eliminated with this option.



Shown with single round duct and optional Dissection Surgical Light (BB138)

**OO008 Rinse Bar:** Rinse bar fixture located at one end of table consists of a cold-water control valve, vacuum breaker protection and stainless steel water manifold. When the water is turned on, a flood of water continuously rinses under the grid plates which helps eliminate build up of fluids within the downdraft chamber.

**OO026 Scale Stand:** Table mounted scale support socket. The stand includes a support socket and a support tube allowing the scale to swing over and drain into the sink. Scale and pan not included.

**OO029 Sink Grid Plate:** Constructed of stainless steel, positioned under faucet on low end of unit.

**OO047 Type 316 Stainless Steel:** Table will be constructed of type 316 stainless steel.

**BL800 Disposal:** Heavy-duty 1 HP disposal, complete with on/off switch, water solenoid, and vacuum breaker.

**Laboratory Dissecting Lights:** Many styles available, see Autopsy Accessories in catalog.



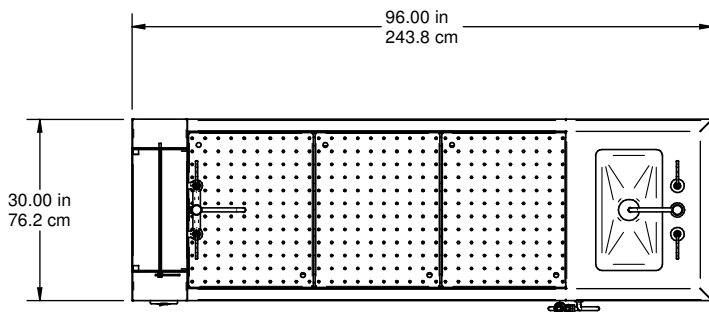
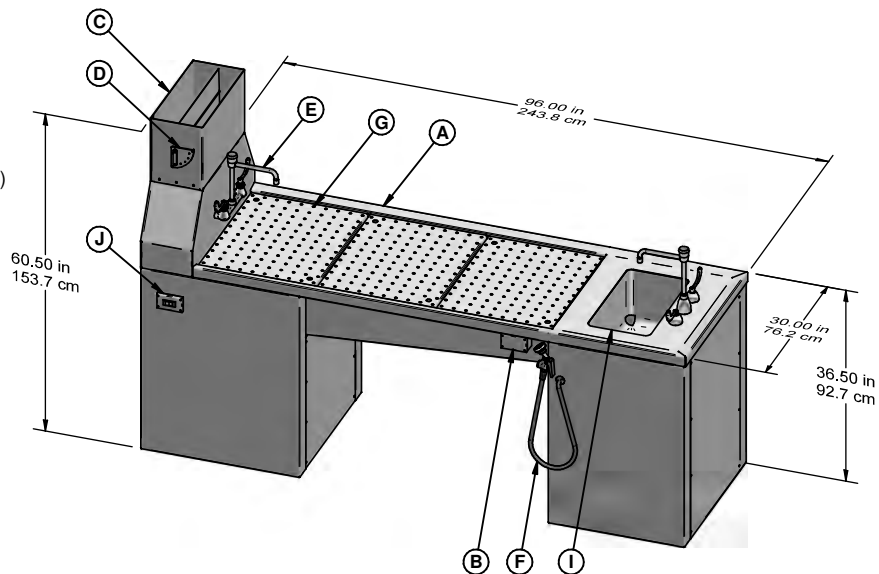
# OA800 Necropsy Table

## STANDARD FEATURES

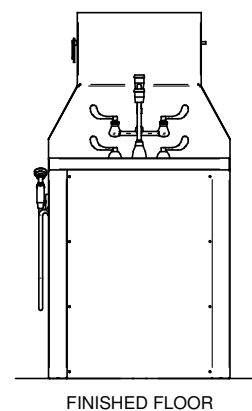
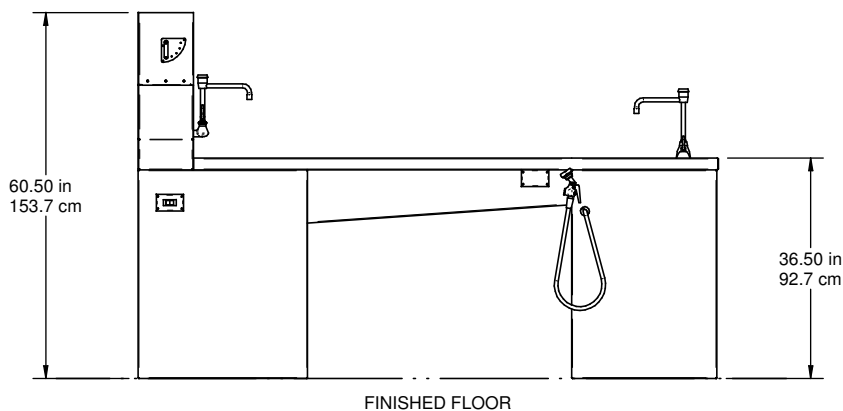
- A Table Top
- B GFCI Electrical Outlet (2)
- C Adjustable Exhaust-Flow Chamber
- D Exhaust control
- E Fixture w/Swing Spout (2)
- F Hand Spray
- G Removable Grid Plates (3)
- H Removable Exhaust baffles (3, not shown)
- I Sink – 20" x 11" x 10"
- J Main Circuit Breaker Switch

## OPTIONAL FEATURES

- OO007 Foot Pedal
- OO008 Rinse Bar
- OO026 Scale Stand Table Mount
- OO029 Sink Grid Plate
- BL800 1 HP Disposal



UL 61010:2004  
CAN/CSA-C22.2  
NFPA 79-2002



# OA900 Elevating Necropsy Table

1

2

3

4

5

6

7

8

9

10

11



Modified OA900 shown with optional sink grid plate and 100" long. Standard length = 78 inches long.

The OA900 Workstation as shown is ventilated with Mopec's Downdraft System. The table elevates with a simple push of a switch. The table is designed to provide a safe and effective vented workstation for necropsy and trimming. The inner baffling system helps provide a consistently even downdraft surface velocity across the entire work surface. Available with a table flush system, the Mopec OA900 Series Necropsy Table offers a safe, efficient and sanitary work surface.

## OA900 Standard Features

**Elevating Mechanism:** The table elevates using an electro-mechanical lifting device. The OA900 elevates from 32" (81.2 cm) to 40" (101.6 cm) and is capable of lifting up to 700 pounds.

**Downdraft:** All stainless steel construction Mopec's Downdraft Ventilation System is designed so that air is pulled down and away from the user and is consistent at any area of the work surface. The internal baffle system helps provide a means of distributing the air evenly across the work surface.

**Perforated Grid Plates:** Each of the three grid plates are all stainless steel construction and perforated. The grid plate is self-supporting and fabricated with a single flange, eliminating any unseen areas that will accumulate bacteria. Finger slots are provided for easy handling.

**Support Pedestal:** The support pedestal is complete with access panels at each end. Designed for heavy-duty use, the support pedestals are provided with reinforced corners and a double flanged leveling frame assembly. Each pedestal is also fitted with a corner reinforcement and adjustable bolt for leveling during installation.

**Construction:** The construction is superior utilizing TIG welding on all seams and mating sections, which are then ground smooth and regreined to match the #4 satin factory finish. All internal plumbing and electrical lines are factory installed and tested.



Elevated 40 inches



Lowered 32 inches

**Water Fixture with Swing Spout:** At one end of the table is a hot/cold fixture. The fixture is provided with wrist blade handles and a large swing spout faucet with vacuum breaker protection.

**Electrical Receptacle:** Two GFCI protected duplex receptacles are included, completely wired and ready for use.

**Hand Spray Rinse:** Chrome plated, brass hand sprayer with soft spray head for controlled rinsing of work surface.

**ISO:** Quality Management System in compliance with ISO 9001:2008 and applies: Design, Engineering, Manufacturing and Installation of Equipment Distribution of Supplies for Morgue, Pathology, Histology and Necropsy Applications.

**APPROVAL:** TUV Listed & Certified: Tests to UL61010-1 :2004 standards in addition to CAN/CSA and NFPA standards. This listing covers the entire product as an entity and not just individual components.

## OA900 Optional Features

**0007 Foot Pedal:** Includes a dual foot pedal H/C water control valve and swing spout faucet for hands free control. Wrist blade handle controls are eliminated with this option.

**0008 Rinse Bar:** Rinse bar fixture located at one end of table consists of a cold-water control valve, vacuum breaker protection and stainless steel water manifold. When the water is turned on, a flood of water continuously rinses under the grid plates which helps eliminate build up of fluids within the downdraft chamber.

**0026 Scale Stand:** Table mounted scale support socket. The stand includes a support socket and a support tube allowing the scale to swing over and drain into the sink. Scale and pan not included

**0047 Type 316 Stainless Steel:** Table will be constructed of type 316 stainless steel.

**BL800 Disposal:** Heavy-duty 1 HP disposal, complete with on/off switch, water solenoid, and vacuum breaker.

Unit can be customized to fit your lab requirements with other additional options.

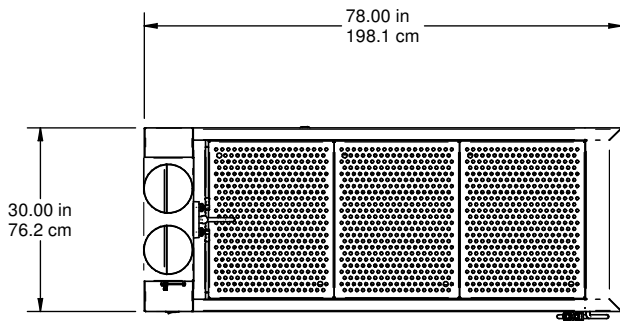
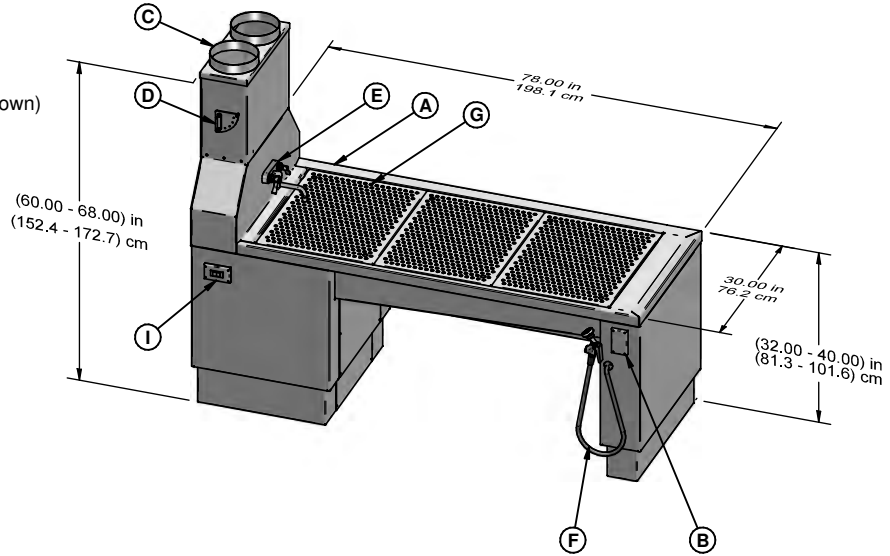
# OA900 Elevating Necropsy Table

## STANDARD FEATURES

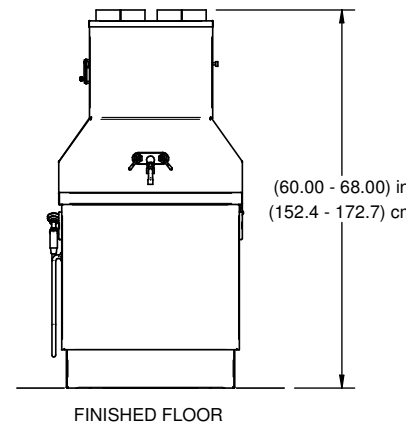
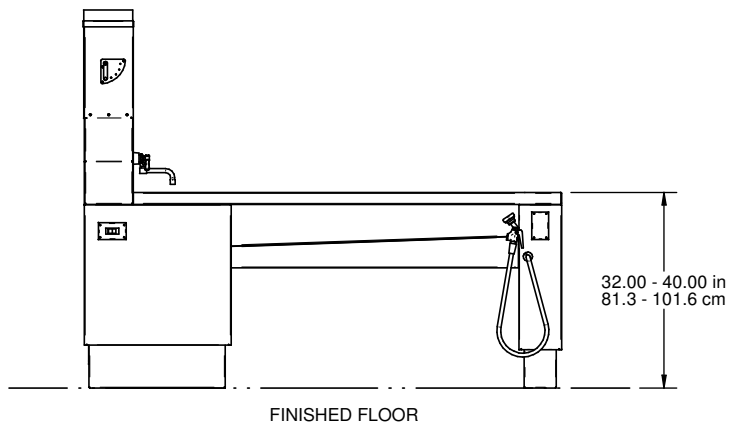
- A Table Top
- B GFCI Electrical Outlet (2)
- C Adjustable Exhaust-Flow Chamber
- D Exhaust control
- E Fixture w/Swing Spout
- F Hand Spray
- G Removable Grid Plates (3)
- H Removable Exhaust baffles (3, not shown)
- I Main Circuit Breaker Switch

## OPTIONAL FEATURES

- OO007 Foot Pedal
- OO008 Rinse Bar
- OO026 Scale Stand Table Mount
- OO029 Sink Grid Plate
- BL800 1 HP Disposal



UL 61010:2004  
CAN/CSA-C22.2  
NFPA 79-2002



# OG Series Trimming Station

## OG100 Recirculating Unit

## OG150 In House Ventilation

1

2

3

4

5

6

7

8

9

10

11



### OG100 Countertop

Dualdraft Workstation

OG100 is a recirculating unit. Please specify filter option – either BF007 or BF008.

#### Compact and Versatile Design

Recommended for smaller labs that need a single workstation to accommodate small dissection and trimming procedures. The compact workstation provides a surprisingly large work area and is ideal for trimming, small surgical procedures and staining.

#### Dualdraft

Equipped with Mopec's Dualdraft system which safely and effectively removes harmful toxic fumes—even when the work area is blocked by trimming boards or instruments.

#### Filtering OG100

The powerful self-contained fans evacuate all harmful formaldehyde fumes into the internal filtering system. Blower motors have a variable speed adjustment dial for adjusting the air flow to the desired rate. Front access replacement filters are easily changed.

Select from your choice of two (2) filter media for the OG100 (Please specify when ordering your workstation)

**Fine Particle Activated Charcoal Media**  
Product No. BF008

**Potassium Permanganate**  
Product No. BF007

#### Compact and Versatile Design

Recommended for smaller labs that need a single workstation to accommodate small dissection and trimming procedures. The compact workstation provides a surprisingly large work area and is ideal for trimming, small surgical procedures and staining.

#### Large, Lighted Work Area

Compact, yet versatile, the OG Series features a surprisingly large 36" L x 14" W (91 cm x 35.5 cm) work area and features a grid plate and a 24" fluorescent light. The pilot lighted on/off switch is located on the back panel for accessibility.

#### Storage Shelf

The top shelf of the workstation has a 36" L x 12" W (91 cm x 30 cm) area for placement of specimen containers.

#### All Stainless Steel

Frame, work surface and filtering areas are manufactured using stainless steel with a #4 satin finish.

#### Easy Installation

Unit is supplied with an eight foot (243.84 cm) hospital grade line cord.

#### Size

Dimensions: 36" L x 21" D x 19" H  
(91 cm x 53 cm x 48.2 cm)

### OG Series Standard Features

- Light:** 24" Standard fluorescent bulb with pilot lighted on/off switch
- Down Vent Grill:** Stainless steel exhaust grill extending along the entire length of the workstation
- Blowers:** Dual exhaust blowers with on/off switch
- Filters:** 14" L x 7" W x 1" (35 cm x 183 cm x 2.5 cm)

### OG150 Countertop Dualdraft Workstation

BF450 requires no filter as it is an in-house ventilation unit and connects to facility ventilation.



**ISO:** Quality Management System in compliance with ISO 9001:2008 and applies: Design, Engineering, Manufacturing and Installation of Equipment Distribution of Supplies for Morgue, Pathology, Histology and Necropsy Applications.

**APPROVAL:** TUV Listed & Certified: Tests to UL61010-1 :2004 standards in addition to CAN/CSA and NFPA standards. This listing covers the entire product as an entity and not just individual components.



# OG200 Trimming Station



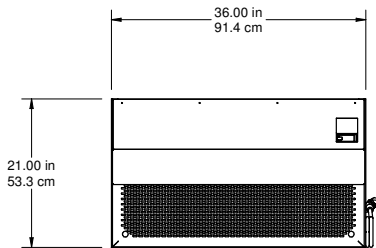
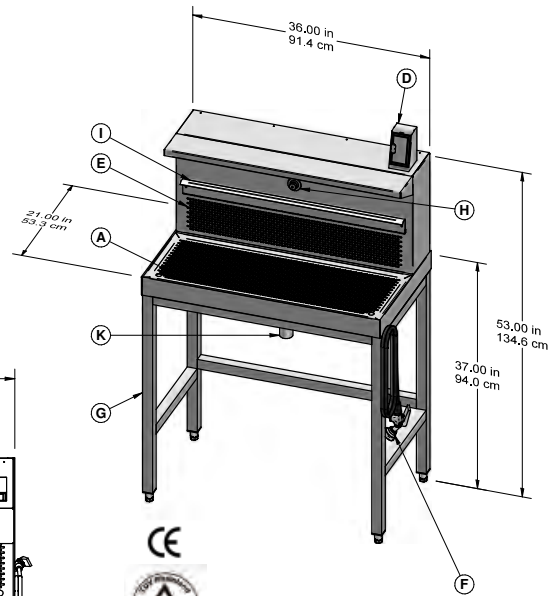
The OG200 has all the standard features as the OG100 but with a sturdy stainless steel leg frame. The OG200 is 36" L x 21" D x 53" H with a 37" high work area and features Dualdraft ventilation that removes harmful fumes. Dual exhaust blowers with on/off switch. Filters are 14" L x 7" W x 1" (35 cm x 183 cm x 2.5 cm).

**ISO:** Quality Management System in compliance with ISO 9001:2008 and applies: Design, Engineering, Manufacturing and Installation of Equipment Distribution of Supplies for Morgue, Pathology, Histology and Necropsy Applications.

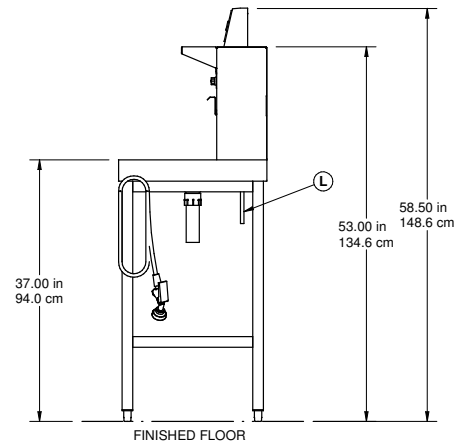
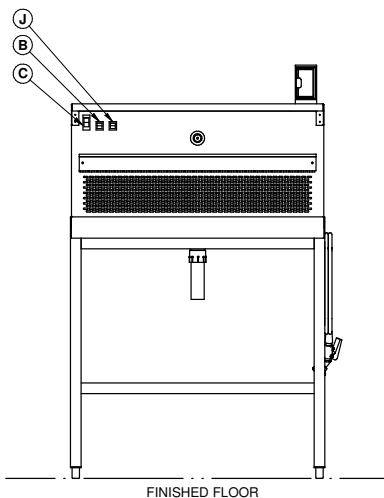
**APPROVAL:** TUV Listed & Certified: Tests to UL61010-1 :2004 standards in addition to CAN/CSA and NFPA standards. This listing covers the entire product as an entity and not just individual components.

**STANDARD FEATURES**

- A Perforated Downdraft Grid Plate
- B Circuit Breaker Switch
- C Fluorescent Light with On/Off Switch
- D GFCI Outlet
- E Perforated Back Vent Grill
- F Hand Spray/Rinse Hose
- G Leg Frame
- H Fan Speed Control
- I Filter Caddy
- J Fan On/Off Switch
- K Drain Pipe
- L Cold Water Inlet



CE  
  
**UL 61010:2004**  
**CAN/CSA-C22.2**  
**NFPA 79-2002**



# OG250 Trimming Station

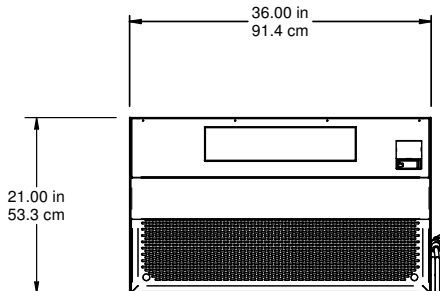
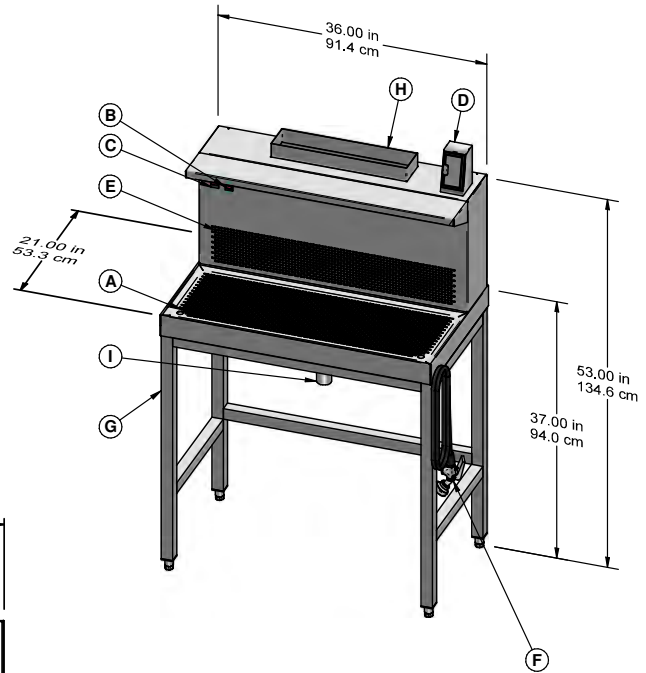
This is the same unit as the OG200 but with in-house ventilation. This unit incorporates many of the features of the OG200 while adding new ones for increased functionality. These features include a sturdy stainless steel leg frame, a top mounted, watertight GFCI duplex receptacle box and hand spray rinse. Dimensions: 36" L x 21"D x 53"H (91 cm x 53 cm x 134.6 cm).

**ISO:** Quality Management System in compliance with ISO 9001:2008 and applies: Design, Engineering, Manufacturing and Installation of Equipment Distribution of Supplies for Morgue, Pathology, Histology and Necropsy Applications.

**APPROVAL:** TUV Listed & Certified: Tests to UL61010-1 :2004 standards in addition to CAN/CSA and NFPA standards. This listing covers the entire product as an entity and not just individual components.

## STANDARD FEATURES

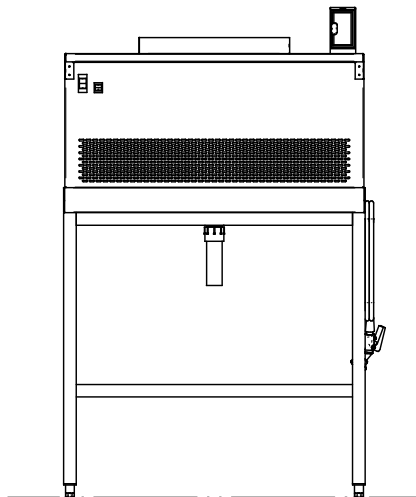
- A Perforated Downdraft Grid Plate
- B Circuit Breaker Switch
- C Fluorescent Light with On/Off Switch
- D GFCI Outlet
- E Perforated Back Vent Grill
- F Hand Spray/Rinse Hose
- G Leg Frame
- H Vent Tie-in
- I Drain Pipe
- J Cold Water Inlet



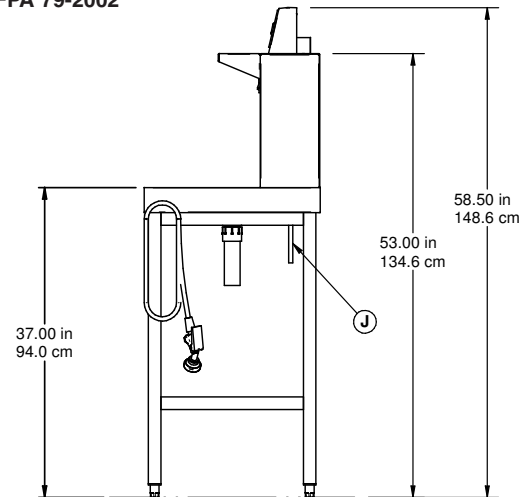
UL 61010:2004

CAN/CSA-C22.2

NFPA 79-2002



FINISHED FLOOR



FINISHED FLOOR

1

2

3

4

5

6

7

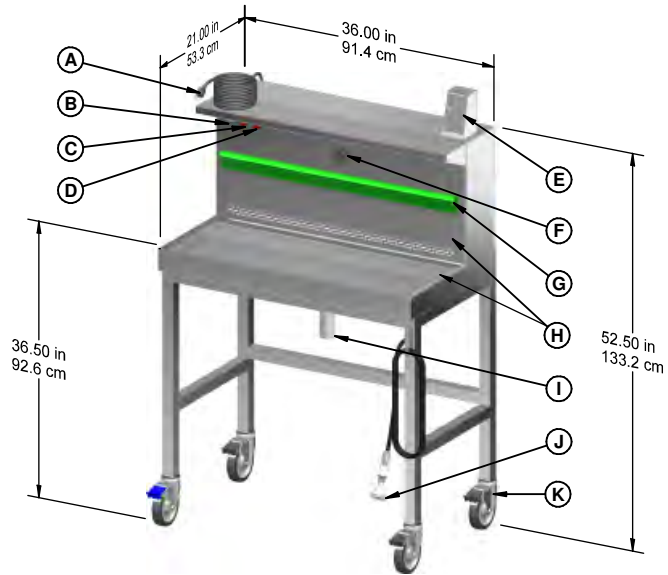
8

9

10

11

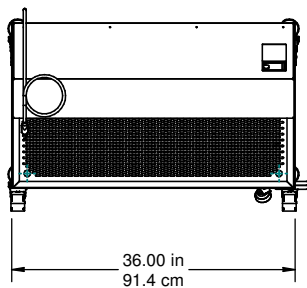
# OG510 Portable Workstation



**ISO:** Quality Management System in compliance with ISO 9001:2008 and applies: Design, Engineering, Manufacturing and Installation of Equipment Distribution of Supplies for Morgue, Pathology, Histology and Necropsy Applications.

**APPROVAL:** TUV Listed & Certified: Tests to UL61010-1 :2004 standards in addition to CAN/CSA and NFPA standards. This listing covers the entire product as an entity and not just individual components.

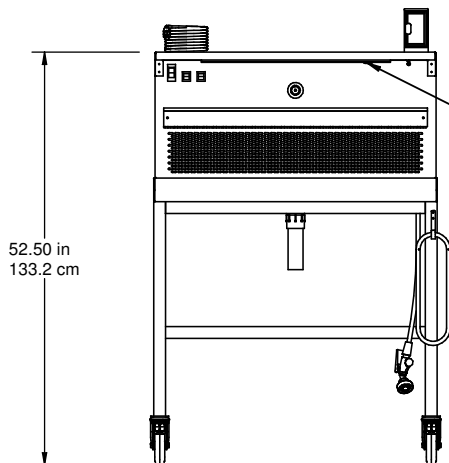
**TOP VIEW**



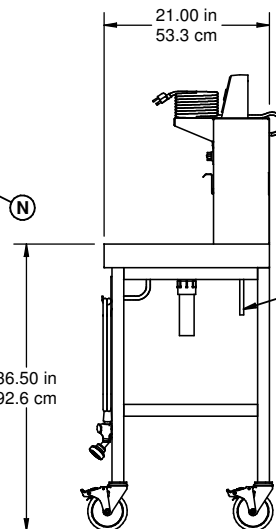
UL 61010:2004  
CAN/CSA-C22.2  
NFPA 79-2002

**STANDARD FEATURES:**

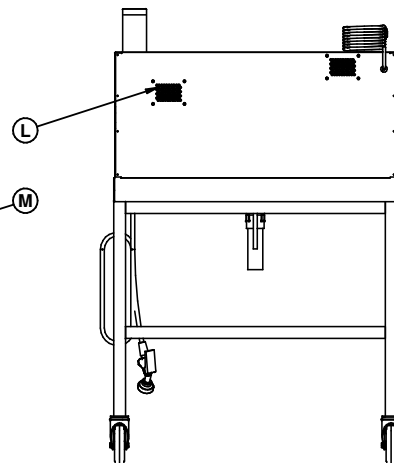
- A Power Cord
- B Master ON/OFF Switch
- C Blower System ON/OFF Switch
- D Fluorescent Light ON/OFF Switch
- E GFCI Outlet
- F Variable Speed Blower Control
- G Filter Access Door
- H Perforated Down Vent Grills
- I Drain Pipe
- J Hand Spray Rinse
- K Casters with Wheel Brake – Swivel Lock
- L Perforated Back Vent
- M Cold Water Inlet
- N Fluorescent Light



**FRONT VIEW**



**SIDE VIEW**



**BACK VIEW**



# OG900 Dualdraft Trimming Table

1

2

3

4

5

6

7

8

9

10

11



Board and gridplate are easily removed to reveal a large sink



Integrated 10" x 20" cutting board

## OG900 Standard Features:

The OG900 workstation is equipped with Mopec's dualdraft system that effectively removes harmful toxic fumes.

### Large, Lighted Work Area

Compact, yet versatile, the OG900 features a large 18" W x 30" L (45.7 cm x 76.2 cm) work area and grid plates. The work area has an illuminated 24" fluorescent light with a top shelf for supplies. The pilot lighted on/off switch is located on the back panel for accessibility.

### Frame

Fabricated of 1-1/2" square tubing, type 304 stainless steel with a #4 satin finish. Full weld joints.

### Cutting Board

Integrated 20" x 10" (50.8 cm x 25.4 cm) cutting board

### Sink Spray

Fabricated of a heavy-duty brass chrome plated hand held fixture with high pressure hose.

**ISO:** Quality Management System in compliance with ISO 9001:2008 and applies: Design, Engineering, Manufacturing and Installation of Equipment Distribution of Supplies for Morgue, Pathology, Histology and Necropsy Applications.

**APPROVAL:** TUV Listed & Certified: Tests to UL61010-1 :2004 standards in addition to CAN/CSA and NFPA standards. This listing covers the entire product as an entity and not just individual components.

## OG900 Series Features:

**Housing:** Type 304 stainless steel with a #4 satin finish

**Light:** 24" Standard fluorescent bulb w/ pilot lighted on/off switch

**Work Area:** 18" x 30" (45.7 cm x 76.2 cm)

**Electrical:** 120Volt/60Hz/1Ph

## OG900 Optional Features

**00018 Formalin Collection System:** System includes collection funnel with fine particle screen, 2.5 gallon (9.5L) waste collection carboy with easy grip handles, piping to waste carboy, quick disconnects and safety caps for disposal or recycling of formalin. Formalin not included.

**U0001 Formalin Dispensing System:** Includes pump and deck mounted valve. Formalin is dispensed from the cubitainer to the fixture. Does not include the formalin collection system or formalin.

**00047 Type 316 Stainless Steel:** Table will be constructed of type 316 stainless steel.

**BA077 Funnel with Screen:** Used for formalin collection systems. Constructed of stainless steel and includes a wire mesh screen.

Funnel dimensions: 5" O.D. x 5-3/8" H (127 mm x 136.5 mm).



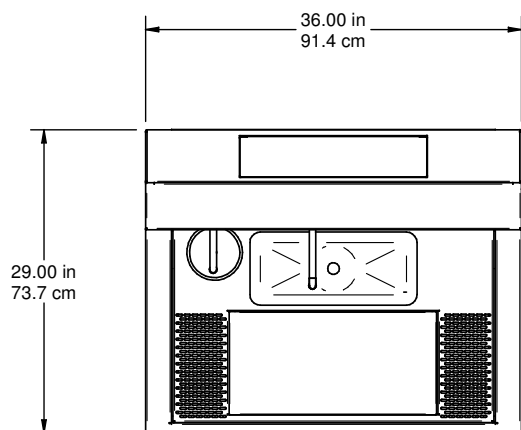
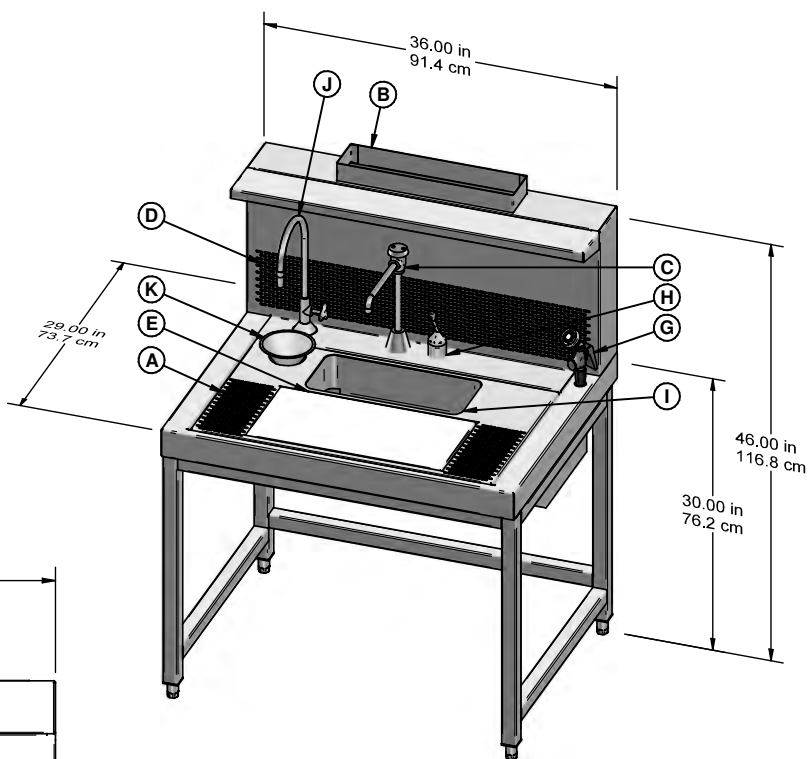
# OG900 Dualdraft Trimming Table

## STANDARD FEATURES

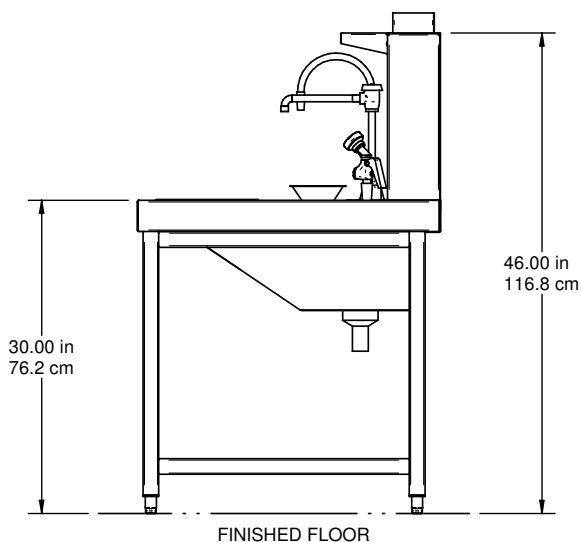
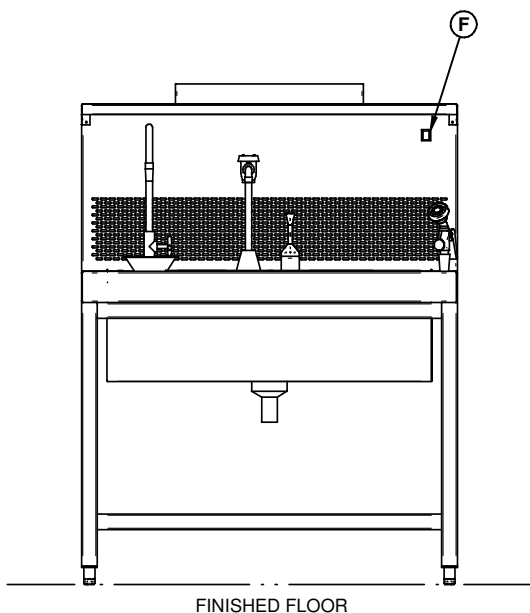
- A Vented/Removable Work Surface
- B Exhaust Vent
- C Fixture w/Swing Spout
- D Perforated Back Vent Grill
- E Inset Dissection Board
- F Fluorescent Light with On/Off Switch
- G Sink Spray
- H Mixing Valve
- I Sink – 16" x 7" x 5"

## OPTIONAL FEATURES

- J UO001 Formalin Dispensing Fixture
- K OO018 Formalin Collection System



UL 61010:2004  
CAN/CSA-C22.2  
NFPA 79-2002



# OC200 Elevating Necropsy Table

1

2

3

4

5

6

7

8

9

10

11



**Meets ADA Requirement**

The OC200 necropsy table is a pedestal style table that incorporates an elevating mechanism within the pedestal, capable of lifting and lowering 8". Maximum capacity of 700 pounds. A standard feature of the OC200 elevating table is Mopec's Downdraft Ventilation System, which helps ventilate during a necropsy.

A hydro-aspirator is conveniently located near the sink basin for ease in collection and/or disposal of fluids. Electrical receptacles are provided on both sides of the table. A hot and cold water faucet is provided with a single lever control and a vacuum breaker to safeguard the facility water supply. A deck mounted sink spray with a high pressure hose allows complete rinsing with the press of a single lever. The necropsy table has an integrally constructed large sink and is creased toward the center for complete drainage.

## OC200 Standard Features

**Table Top:** The table top is fabricated of 14 gauge stainless steel with a #4 satin finish with built in large sink on one end.

**Electrical:** Two GFCI electrical receptacles are positioned on each side of the pedestal.

**Integral Sink:** Integral sink to front panel construction eliminates sharp eaves and ledges where bacteria can accumulate. All welded, seamless construction provides durability.

**Hydro-Aspirator:** Hydro-aspirator is located on the end of the table near the sink. The aspirator has a reversing valve to clear the aspirator of any foreign matter. The aspirator is designed to drain into the sink end for collection or disposal and is completely plumbed with control valve, vacuum breaker and tubing.

**Fixture with Swing Spout:** Swing spout faucet has a vacuum breaker and single lever hot/cold handle.

**Elevation:** The elevating pedestal is a non-racking heavy-duty frame construction. Nylon slides with oilite bronze bushings.

**Hand Spray Rinse:** Chrome plated, brass hand sprayer with soft spray head for controlled rinsing of work surface. Complete with 60"

(152.4 cm) high-pressure hose for heavy-duty use. Control valve included for pressure control, along with atmospheric vacuum breaker for water protection. Sink spray is deck mounted

**Pedestal Assembly:** Table pedestal is fabricated of 18 gauge stainless steel with a #4 satin finish. The pedestal consists of two main assemblies: An Electro-mechanical Actuator and an Exterior Pedestal Housing. The elevating pedestal is capable of lifting and lowering 8" via an electro-mechanical actuator, which is a much quieter and more sanitary elevating mechanism. Maximum capacity is 700 pounds.

**Grid Plates:** Grid plates are recessed 1/2" and supported on the table edge without pins. Four independent grid plates are perforated and removable.

**ISO:** Quality Management System in compliance with ISO 9001:2008 and applies: Design, Engineering, Manufacturing and Installation of Equipment Distribution of Supplies for Morgue, Pathology, Histology and Necropsy Applications.

**APPROVAL:** TUV Listed & Certified: Tests to UL61010-1 :2004 standards in addition to CAN/CSA and NFPA standards. This listing covers the entire product as an entity and not just individual components.

## OC200 Optional Features

**BL800 Disposal:** Heavy-duty 1 HP disposal, complete with on/off switch, water solenoid, and vacuum breaker.

**OO026 Scale Stand:** Table mounted scale support socket. The stand includes a support socket and a support tube allowing the scale to swing over and drain into the sink. Scale and pan not included

**OO025 Perimeter Rinse:** Full perimeter rinse. Control valve provided for water flow adjustment.

**OO047 Type 316 Stainless Steel:** Table will be constructed of type 316 stainless steel.

Unit can be customized to fit your lab requirements with other additional options.

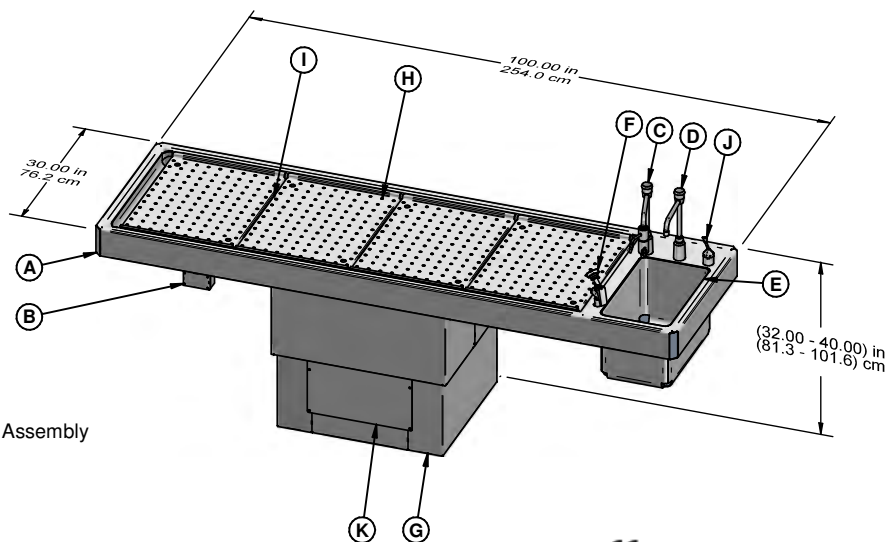
# OC200 Elevating Necropsy Table

## STANDARD FEATURES

- A Table Top
- B GFCI Electrical Outlet (2)
- C Hydro Aspirator
- D Fixture w/Swing Spout
- E Sink – 20" x 12" x 12"
- F Hand Spray
- G Pedestal
- H Removable Grid Plates (4)
- I Down Draft Ventilation System
- J Mixing Valve
- K Access Panel

## OPTIONAL FEATURES

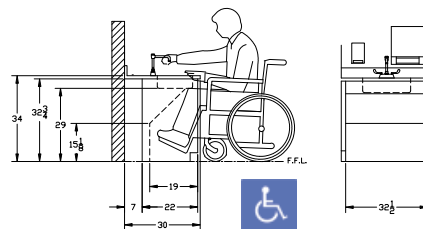
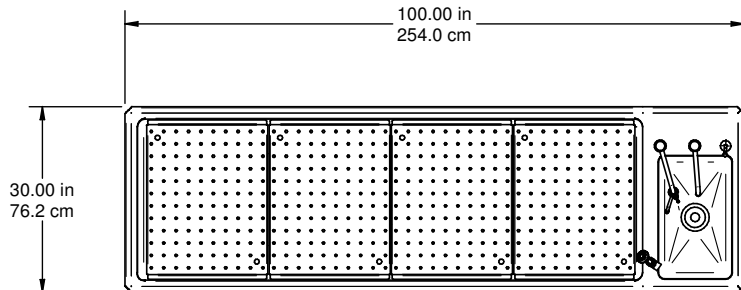
- OO025 Autopsy Table Perimeter Rinse Assembly
- OO026 Scale Stand Table Mount
- BL800 1 HP Disposal



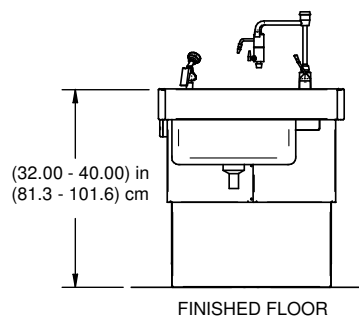
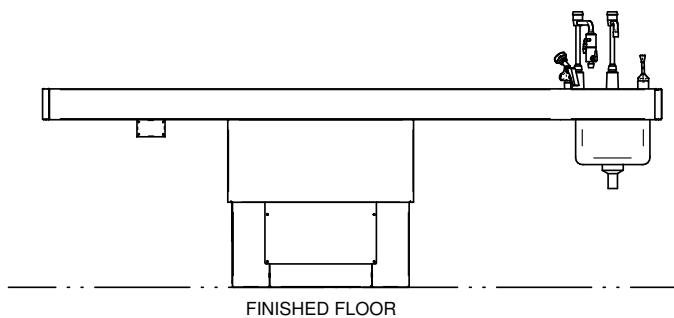
UL 61010:2004

CAN/CSA-C22.2

NFPA 79-2002



ADA Compliant



# OC900 Small Necropsy Table (Model 8)

1

2

3

4

5



Shown with optional foot pedals

6

The OC900 Necropsy Table is a pedestal style table of all stainless steel construction that incorporates all of the convenient features necessary to efficiently perform a necropsy. The OC900 is the shortest version of pedestal style necropsy tables. This style also includes an integrally constructed sink into the table top as opposed to a sink wing. Unit comes standard equipped with Mopec's standard downdraft ventilation system.

A hydro-aspirator is conveniently located near the sink basin for ease in collection and/or disposal of fluids. Electrical receptacles are provided on both sides of the table. A deck mounted sink spray with a high pressure hose allows complete rinsing of the table with the press of a single lever.

7

8

## OC900 Standard Features

**Integral Sink:** Integral sink to front panel construction eliminates sharp eaves and ledges where bacteria can accumulate. All welded, seamless construction provides durability.

**Hydro-Aspirator:** Hydro-aspirator is located on the end of the table near the sink. The aspirator has a reversing valve to clear the aspirator of any foreign matter. The aspirator is designed to drain into the sink end for collection or disposal and is completely plumbed with control valve, vacuum breaker and tubing.

**Hand Spray Rinse:** Sink spray is a chrome plated brass fixture with a flow control valve and high pressure hose.

**Electrical:** Two GFCI protected duplex receptacles. Positioned one on each side of the pedestal.

**Grid Plates:** Grid plates are recessed 1/2" and supported on the edge without pins. Three independent grid plates are perforated and removable.

**Pedestal:** Table pedestal is fabricated of stainless steel with a #4 satin finish.

**Fixture with Swing Spout:** At one end of the table is a hot/cold fixture. The fixture is provided with a single lever hot/cold handle and a large swing spout faucet with vacuum breaker protection.

**Recessed Table Top:** Table top is fabricated of stainless steel with a #4 satin finish with integral sink

**ISO:** Quality Management System in compliance with ISO 9001:2008 and applies: Design, Engineering, Manufacturing and Installation of Equipment Distribution of Supplies for Morgue, Pathology, Histology and Necropsy Applications.

**APPROVAL:** TUV Listed & Certified: Tests to UL61010-1 :2004 standards in addition to CAN/CSA and NFPA standards. This listing covers the entire product as an entity and not just individual components.

## OC900 Optional Features

**BL800 Disposal:** Heavy-duty 1 HP disposal, complete with on/off switch, water solenoid, vacuum breaker.

**00007 Foot Pedal:** Includes a dual foot pedal H/C water control valve and swing spout faucet for hands free control. Wrist blade handle controls are eliminated with this option.

**00026 Scale Stand:** Table mounted scale support socket. The stand includes a support socket and a support tube allowing the scale to swing over and drain into the sink. Scale and pan not included.

**00037 Header Rinse with Control Knob:** Ten nozzles for water distribution allows for ease of rinsing of table.

**00047 Type 316 Stainless Steel:** Table will be constructed of type 316 stainless steel.

Unit can be customized to fit your lab requirements with other additional options.

9

10

11



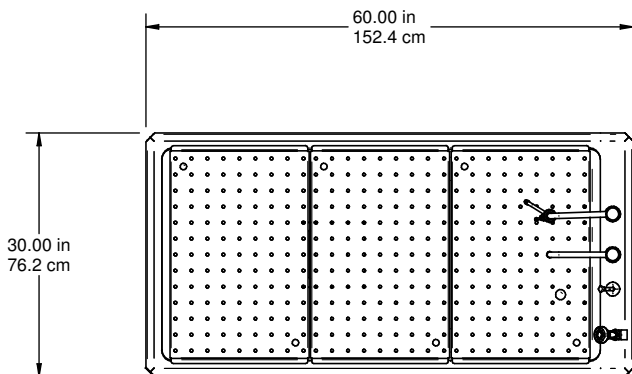
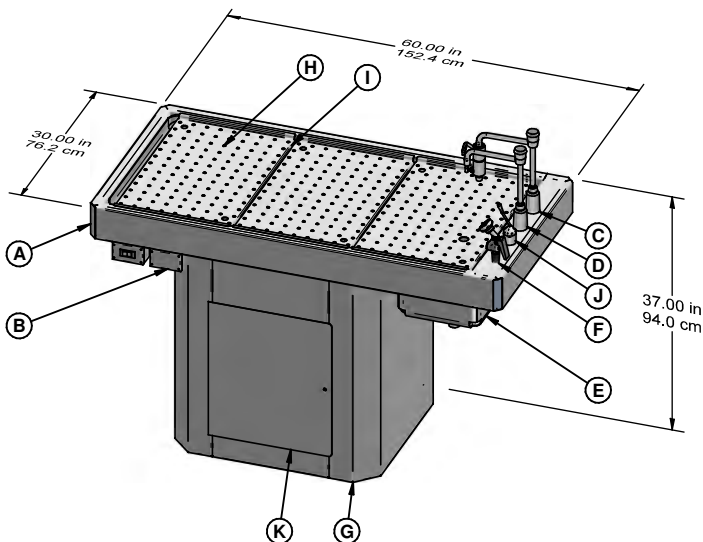
# OC900 Small Necropsy Table (Model 8)

## STANDARD FEATURES

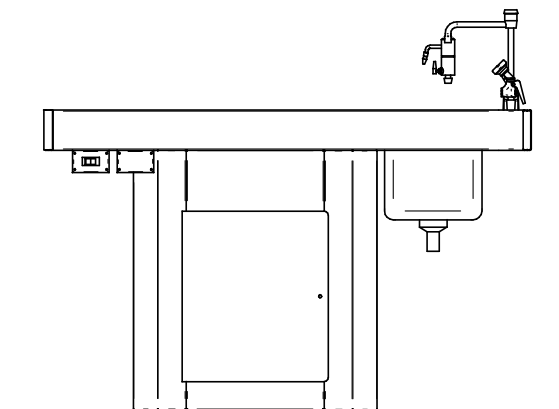
- A Table Top
- B GFCI Electrical Outlet (2)
- C Hydro Aspirator
- D Fixture w/Swing Spout
- E Sink - 14" x 12" x 11"
- F Hand Spray
- G Pedestal
- H Removable Grid Plates (3)
- I Down Draft Ventilation System
- J Mixing Valve
- K Access Panel

## OPTIONAL FEATURES

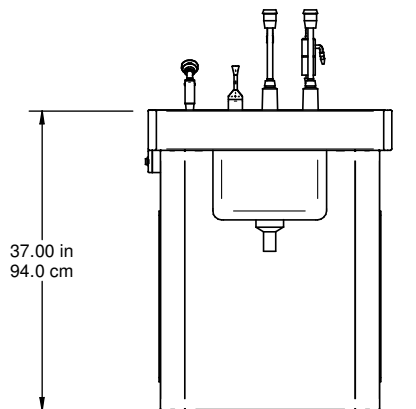
- OO007 Foot Pedal
- OO037 Header Rinse with Control Knob
- OO026 Scale Stand Table Mount
- OO028 Inch/Centimeter Scale
- BL800 1 HP Disposal



UL 61010:2004  
CAN/CSA-C22.2  
NFPA 79-2002



FINISHED FLOOR



FINISHED FLOOR



# OJ100 Portable Workstation

1

2

3

4

5

6

7

8

9

10

11



This portable downdraft workstation provides a large work surface, a perfect addition to any laboratory looking to expand functionality.

The downdraft system provides a safe environment, removing toxic vapors down and away from the user. The optional hand spray hose makes it easy to keep the workstation clean.

Easy to install, this workstation has quick disconnect hot and cold water and a flexible drain hose to drop into floor drain. Also a 10" quick disconnect exhaust ventilation duct is provided. Uses a standard 110 volt outlet. Unit comes with an eight foot, hospital grade line cord.

## OJ100 Standard Features:

**Table top and sink:** Integrally fabricated with 14 gauge stainless steel with #4 satin finish.

**Fixture with Swing Spout:** This water fixture features convenient wrist blade handles, a gooseneck swing faucet and a vacuum breaker mounted directly on the faucet.

**Casters:** Casters are 5" diameter with heavy duty swivel wheels complete with swivel locks and wheel brakes. Maximum load capacity of 400 lbs.

**Quick Disconnect:** Hot and cold water shut-off.

**Cord:** Eight foot hospital grade line cord.

**Removable perforated grid plates:** Three grid plates are fabricated of stainless steel and are interchangeable. Once the grid plates are removed, a vented fluid collection trough is exposed.

**Electrical:** Two GFCI receptacles with watertight covers are located on each side of the workstation.

**Ventilation Exhaust Duct:** Ten inch diameter stainless steel duct connects to customer provided flex duct which keeps harmful fumes away from user.

**ISO:** Quality Management System in compliance with ISO 9001:2008 and applies: Design, Engineering, Manufacturing and Installation of Equipment Distribution of Supplies for Morgue, Pathology, Histology and Necropsy Applications.

**APPROVAL:** TUV Listed & Certified: Tests to UL61010-1 :2004 standards in addition to CAN/CSA and NFPA standards. This listing covers the entire product as an entity and not just individual components.

## OJ100 Optional Features

**00010 Hand Spray Hose:** Chrome plated, brass hand sprayer with soft spray head for controlled rinsing of work surface. Complete with 60" (152.4 cm) high-pressure hose for heavy-duty use. Control valve included for pressure control, along with atmospheric vacuum breaker for water protection.

**00047 Type 316 Stainless Steel:** Table will be constructed of type 316 stainless steel.

Unit can be customized to fit your lab requirements with other additional options.

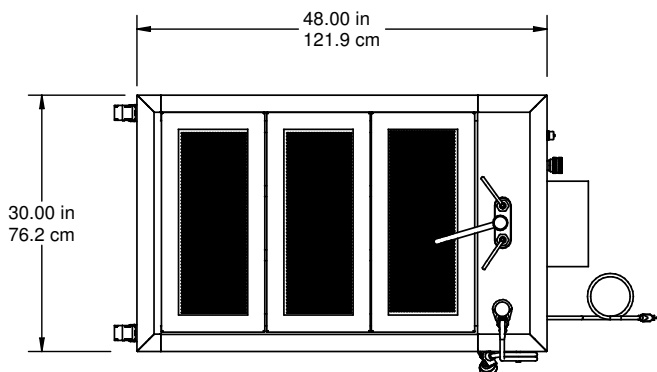
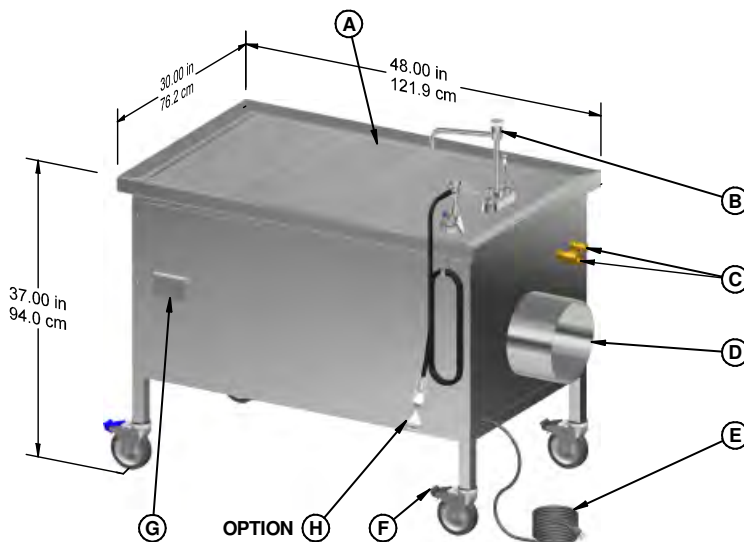
# OJ100 Portable Workstation

## STANDARD FEATURES:

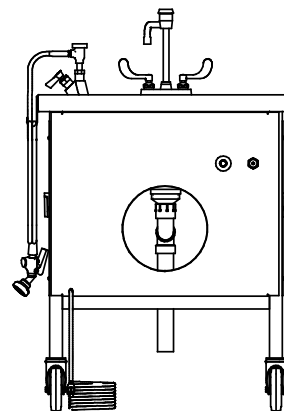
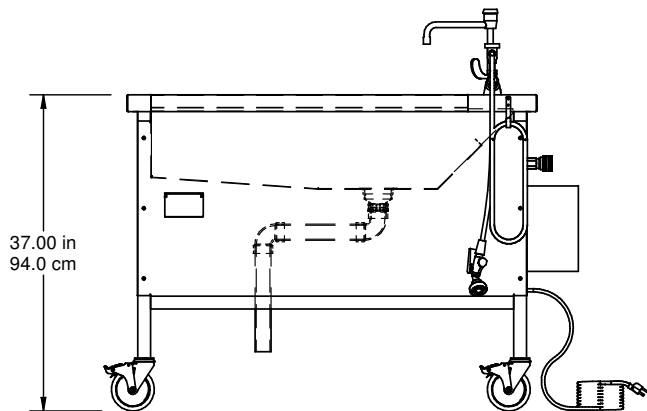
- A Removable Perforated Grid Plates
- B Hot/Cold Water Fixture with Swing Faucet
- C Hot/Cold Water Quick-Disconnects
- D Ventilation Exhaust Duct
- E Retractable Power Cord
- F Casters with Wheel Brake – Swivel Lock
- G GFCI Outlet, Both Sides

## OPTIONAL FEATURES:

- H OO010 Hand spray hose



UL 61010:2004  
CAN/CSA-C22.2  
NFPA 79-2002



1

2

3

4

5

6

7

8

9

10

11

# OL100 Downdraft Ventilated Bedding Disposal Portable Dump Station

1

2

3

4

5

6

7

8

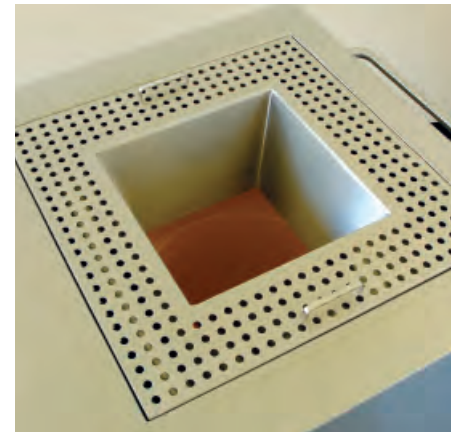
9

10

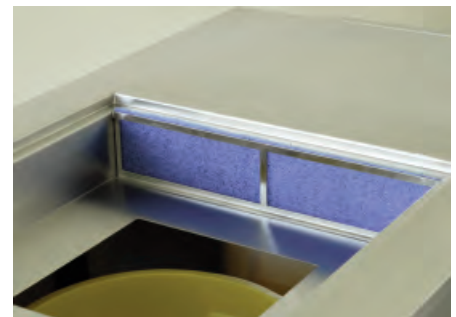
11



Mopec's OL100 Downdraft Ventilated Bedding Disposal Station works with virtually any animal cage. Constructed of all stainless steel with an extra large (35" x 23") (88.9 cm x 58.4 cm) staging work surface. Access doors can be locked for safety. A self contained dust control fume evacuation system combined with a powerful HEPA filtration system necessary for a clean, safe and efficient environment. Downdraft vent cone 15" x 15" (38.1 cm x 38.1 cm).



OL100 has powerful downdraft ventilation



The OL100 features a two stage HEPA filtration system

## OL100 Standard Features

**Table Top:** The table top is fabricated of 16 gauge stainless steel.

**Handles:** Stainless steel push handles on both sides of station allow the OL100 to be pushed from room to room.

**Casters:** Three inch lockable casters.

**Magnehelic Velocity Indicator Gauge:** Monitors velocity of air being exhausted through the table exhaust plenum ensuring safety through the workplace. Airflow can be adjusted to meet facility safety standards.

**Downdraft System:** Mopec's downdraft system is a unique system of ventilating harmful and noxious odors during cage cleaning. Air evacuation is accomplished through downdraft ventilation cone and the dual filtration system.

**Bucket:** 20 Gallon portable braced bucket and stand enclosed in air chamber.

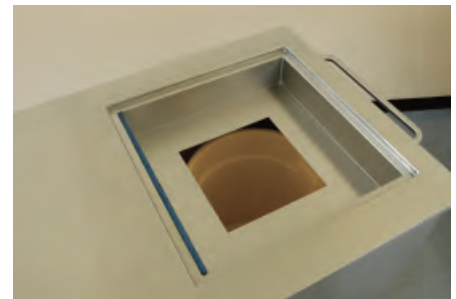
**Powerful HEPA Filtration System:** Dust control fume evacuation.

**ISO:** Quality Management System in compliance with ISO 9001:2008 and applies: Design, Engineering, Manufacturing and Installation of Equipment Distribution of Supplies for Morgue, Pathology, Histology and Necropsy Applications.

**APPROVAL:** TUV Listed & Certified: Tests to UL61010-1 :2004 standards in addition to CAN/CSA and NFPA standards. This listing covers the entire product as an entity and not just individual components.



Extra large HEPA filtration with full service access



OL100 is constructed of all stainless steel for easy cleaning



Portable Dumping Station features a 20 gallon mobile bucket



# OD100 Fold-Up Wall Mount Table



OD100 Fully opened.

When you don't have room for a complete workstation, install the OD100, which provides a compact work area for multiple procedures. Prep, surgery and animal exams can be performed on this table. Designed to be wall mounted, this table drops to 90°. When finished, simply fold and lock in an upright position against the wall. One hand easy operation. Made of 18 gauge stainless steel, the perimeter has a marine edge for containing fluids on the work surface. Load capacity is 300 lbs. Table dimensions are 20" W x 45" L.

## OD100 Standard Features

- 18 Gauge stainless steel with all exposed welds ground and polished
- The pivoting assembly uses 2 nylon wheels that allow the table to be stored in an upright, vertical position when not in use
- Stainless steel release handle unlocks the table from an upright position to a 90° horizontal position
- Four holes are positioned on table for mounting



OD100 Folds up or down



- 1
- 2
- 3
- 4
- 5
- 6
- 7
- 8
- 9
- 10
- 11

# OL200 Downdraft Ventilated Necropsy Station

## Self-Contained

1

2

3

4

5

6

7

8

9

10

11



The OL200 Downdraft Ventilated Necropsy Station is a freestanding workstation that requires no special mounting to the floor or wall and incorporates all of the features necessary to efficiently complete a necropsy on small to mid-size animals. A standard feature on the OL200 workstation is a life-cycle filter timer to remind you when to change filters for a continuous fume free environment. Front access potassium permanganate replacement filters are easily changed. The work surface is equipped with a full perimeter rinse system making it easy to keep the basin clean. A standard feature on the OL200 is a water fixture with a pull out hand spray. Included are three perforated grid plates. In addition, three fine mesh grid plates are provided for smaller animal procedures. Another unique feature that is included with the Ventilated Necropsy Station is the self contained ventilation system, no in-house ventilation is needed. The OL200 is manufactured with four adjustable feet for final on site leveling to ensure a fully level work surface. A simple plumbing connection allows this unit to be fully functional in a short amount of time.

### OL200 Standard Features:

**Downdraft System:** Mopec's downdraft system is a unique system of ventilating harmful and noxious odors. Air evacuation is accomplished through downdraft ventilation cone.

**Fixture with Swing Spout:** This water fixture features a convenient handle and a pull out hand spray rinse.

**Sink:** Integrally fabricated with 14 gauge stainless steel with #4 satin finish.

**Removable perforated grid plates:** Three grid plates are fabricated of stainless steel and are interchangeable. Once the grid plates are removed, a vented fluid collection trough is exposed.

**Dual Rinse Bar:** Provides a full perimeter rinse on all four sides of the work surface.

**Electrical:** A GFCI protected duplex receptacle is included, completely wired and ready for use.

**ISO:** Quality Management System in compliance with ISO 9001:2008 and applies: Design, Engineering, Manufacturing and Installation of Equipment Distribution of Supplies for Morgue, Pathology, Histology and Necropsy Applications.

**APPROVAL:** TUV Listed & Certified: Tests to UL61010-1 :2004 standards in addition to CAN/CSA and NFPA standards. This listing covers the entire product as an entity and not just individual components.

### OL200 Optional Features

**00047 Type 316 Stainless Steel:** Workstation will be constructed of type 316 stainless steel.

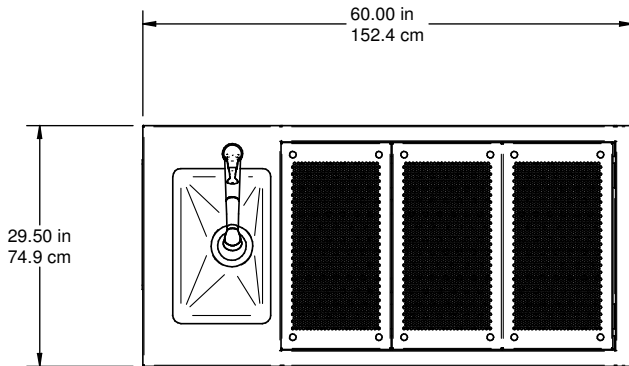
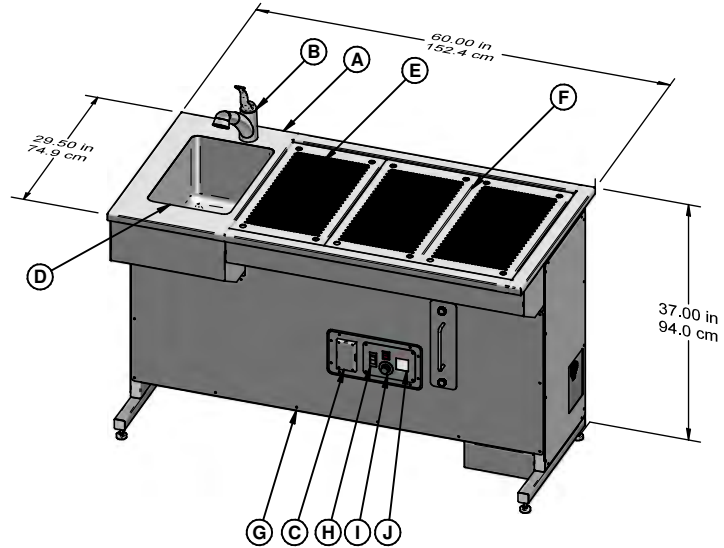
Unit can be customized to fit your lab requirements with other additional options.

# OL200 Downdraft Ventilated Necropsy Station

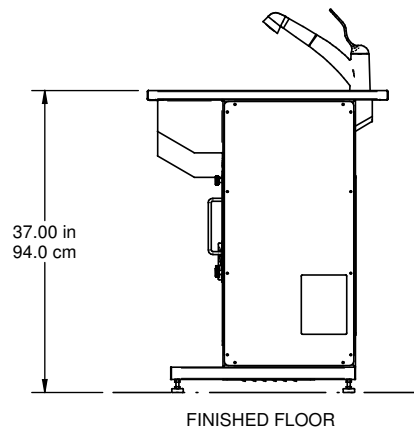
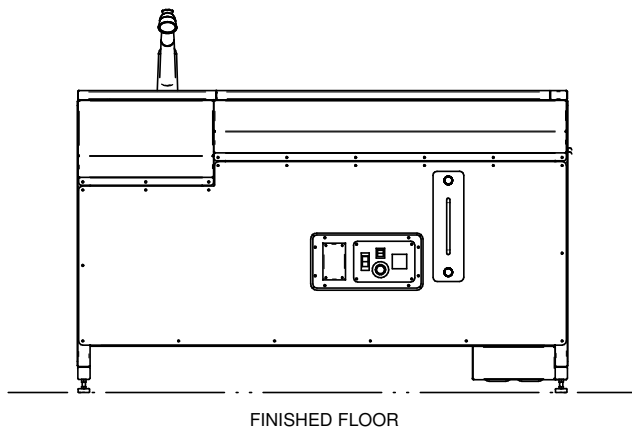
## Self-Contained

### STANDARD FEATURES

- A Table Top
- B Fixture w/Swing Spout
- C GFCI Electrical Outlet
- D Sink – 19" x 12" x 10"
- E Removable Grid Plates (3)
- F Down Draft Ventilation System
- G Access Panel
- H Main Circuit Breaker Switch
- I Fan Control Switch
- J Filter Timer



UL 61010:2004  
CAN/CSA-C22.2  
NFPA 79-2002



# Index

## A

Adapter, Ventilation . . . . .	127
Aspirators . . . . .	106
<b>Autopsy Carts</b>	
DA Series Stationary . . . . .	232-233
DB Series Elevating . . . . .	234-235
DC Series Tilting/Elevating, Bariatric 236-241	
DD Series Body Tray Saddle . . . . .	242-243
DE Series Roller Tray . . . . .	244-245
DF100 . . . . .	246-247
HE100 Portable . . . . .	284-285
GA Series Cart Tops . . . . .	290-291
<b>Autopsy Saws</b>	
Bone Cutting . . . . .	49
Mopec Autopsy Saw . . . . .	75
Reconditioning . . . . .	77
Blades . . . . .	78-79
<b>Autopsy Scales</b> . . . . .	98-99
ACCULAB . . . . .	101-102
Floor . . . . .	104
<b>Autopsy Sinks</b>	
C Series . . . . .	218-231
Service Table CE850 . . . . .	278-279
<b>Autopsy Tables</b>	
Bariatric Elevating and Rotating . . . . .	258-259
CE200 Elevating Pedestal . . . . .	256-257
CE210 Elevating Bariatric . . . . .	258-259
CE300 Rotating Pedestal . . . . .	260-261
CE310 Rotating Elevating . . . . .	262-263
CE340 Windsor . . . . .	264-265
CE350 Salisbury . . . . .	266-267
CE400 Short . . . . .	268-269
CE500 Non-Vented . . . . .	270-271
CE600 "L" Shaped, Integral Right Wing . . . . .	272-273
CE650 Elevating "L" Shaped, Left Wing . . . . .	274-275
CE700 "L" Shaped, Integral Left . . . . .	272-273
Wing . . . . .	272-273
CE750 Elevating "L" Shaped, Left Wing . . . . .	274-275
CE800 Service Island . . . . .	276-277
CE850 Service Table . . . . .	278-279
CE900 Pedestal . . . . .	280-281
HL100 C-Arm X-Ray . . . . .	286-287
<b>B</b>	
Bags, Medical . . . . .	66
Balances, Scales . . . . .	100
Base Cabinets . . . . .	399-403
<b>Baths, Water Flotation</b>	
Illuminated . . . . .	112
Lighted Tissue . . . . .	112
Round Tissue . . . . .	112
Bayonet Forceps . . . . .	18
<b>BF Series</b>	
BF400 Tabletop Station . . . . .	130-131
BF450 Tabletop Station . . . . .	131

BF500 Totaldraft Workstation . . . . .	132-133
BF510 Totaldraft Workstation . . . . .	135
BF550 Totaldraft Workstation . . . . .	134
BF600 Downdraft Work Cell . . . . .	129
Binocular Magnifying Loupe . . . . .	60
<b>Blades</b>	
<b>Autopsy Saw</b> . . . . .	78-79
Round . . . . .	79
Round – SuperCut . . . . .	79
Sectioned (Large) . . . . .	78
Sectioned (Small) . . . . .	78
Spinal Column . . . . .	78
Dissecting . . . . .	40-41
Handle . . . . .	40-42
Scalpel . . . . .	41
Removal . . . . .	42, 44-45
Blade Remover	
Disposal . . . . .	42
Stainless Steel . . . . .	42
Boards, Dissection . . . . .	86-87
<b>Body</b>	
Bags . . . . .	90-93
Carriers . . . . .	334-341
Lifts . . . . .	344-355
Lift Straps . . . . .	356
Body Tags . . . . .	93
<b>Body Trays</b> . . . . .	
Tray/Cadaver Transporter . . . . .	329
Bodyrest . . . . .	88
Body Fluid Scoop . . . . .	55
Body Slats . . . . .	89
Body transfer board . . . . .	89
<b>Bone</b>	
Bone Cutting Autopsy Saws . . . . .	78-79
Bone Dust Collector . . . . .	74
Gigli Saws . . . . .	55
Mallets . . . . .	53
Rib Shears . . . . .	51
Saw . . . . .	49
Skull Breaker . . . . .	52
Book Holder, Mobile . . . . .	110
Bowl Strainer, Standard . . . . .	81
<b>Brushes, Cleaning</b>	
Nylon . . . . .	70
Stainless Steel . . . . .	70
Bucket, Mortuary, Stainless Steel . . . . .	81
Bullet Probes . . . . .	59
<b>C</b>	
<b>Cabinets</b>	
Base . . . . .	399-403
Casework Assembly . . . . .	390-406
Corner Base . . . . .	403
Dead Wall . . . . .	396
Pathology, Vented . . . . .	406
Slope Tops, Ceiling Fillers . . . . .	404
Specialty . . . . .	402
Stainless Steel Tops and Sinks . . . . .	404
Tall Storage . . . . .	397-398
Wall Cabinets . . . . .	394-395

## Cadaver

Body Straps . . . . .	356
<b>Body Tray Transporter</b>	
2 Tier . . . . .	330-331
4 Tier . . . . .	330-331
5 Tier . . . . .	332-333
Carriers . . . . .	342
Carrier Two-Body . . . . .	343
Concealed (Covered) Carrier . . . . .	336
Covers . . . . .	338
<b>Cadaver Lift</b> . . . . .	344
Motorized . . . . .	352
Non-Motorized . . . . .	353
Lift Accessories . . . . .	356
Cantilever Storage Rack . . . . .	318-321
Capture Hood, Fume . . . . .	136-137
Caliper . . . . .	68
<b>Carbide, Tungsten Scissors</b>	
Dissection . . . . .	14
Iris . . . . .	14
Mayo . . . . .	14
Metzenbaum . . . . .	14
<b>Carbide, Tungsten Forceps</b>	
Adson . . . . .	27
Dressing . . . . .	27
Potts-Smith . . . . .	27
C-Arm X-Ray Table . . . . .	286-287
<b>Carriers, Cadaver</b>	
Cover . . . . .	366
Single Body . . . . .	340-342
<b>Carts, Autopsy</b>	
DA Series Stationary . . . . .	232-233
DB Series Elevating . . . . .	234-235
DC400 Bariatric . . . . .	238-239
DC500 Bariatric . . . . .	240-241
DC Series Tilting/Elevating . . . . .	236-237
DD100/DD200 Body Tray Saddle . . . . .	242-243
DE Series Roller Tray . . . . .	244-245
DF100 Flush Perforated Surface . . . . .	246-247
HE100 Portable . . . . .	284-285
Carts, Specimen Transport . . . . .	109
Cart Tops . . . . .	240-241
Cavity Mirror . . . . .	55
Chain Hook, Triple . . . . .	61
Chair, ErgoPath . . . . .	216
Chill Tray . . . . .	124
<b>Chisels</b>	
Bone . . . . .	32
Brunetti's Chisel . . . . .	32
Osteotomes . . . . .	32
<b>Cleaning Products</b>	
Bench Spray & Wipe Cleaner . . . . .	70
DEODORx/Plus . . . . .	71
EASY SOAK Instrument Cleaner . . . . .	70
Path Cloud Cleaner & Disinfectant . . . . .	70
PathWipes . . . . .	69



# Index

Stainless Steel Cleaner & Polish . . . . .	71
Stainless Steel Polishing Wipes . . . . .	69
Cleaning Brushes . . . . .	70
Collection System, Fluid . . . . .	107
Containers, Storage . . . . .	118
Coplin Staining Jar . . . . .	117
Corner Base Cabinets . . . . .	403
Countertop Grossing Workstations . . . . .	156-159
Covered Cadaver Carrier . . . . .	336
Cover for Cadaver Carrier . . . . .	338
Cover for LD500 . . . . .	141
Curetage Collector . . . . .	58
Curved Postmortem Needles . . . . .	63
CutMate Forceps . . . . .	24
<b>Cutting Boards</b>	
Disposable . . . . .	87
Neoprene . . . . .	87
Neoprene with Legs . . . . .	87
Polyethylene . . . . .	86
Polyethylene with Legs . . . . .	86
Tabletop Stainless Steel . . . . .	85
<b>D</b>	
Decalcifier - DecalQwk . . . . .	116
Delicate Specialty Forceps . . . . .	23
Delicate Tissue Forceps . . . . .	23
DEODORx™/Plus . . . . .	71
Digital Tissue Float . . . . .	112
Director, Grooved Needle . . . . .	58
Dishes, Staining . . . . .	117
<b>Disinfectant</b>	
Lysol I.C. Disinfectant . . . . .	71
DEODORx™/Plus . . . . .	71
Spray . . . . .	71
<b>Disposable</b>	
Blade Remover . . . . .	42, 44-45
Blades . . . . .	40-42
Cutting Boards . . . . .	87
Forceps . . . . .	21
Headrest . . . . .	88
Hemostatic Forceps . . . . .	25
Macro-Prep Knives . . . . .	36-37
Scalpels . . . . .	39
Scissors . . . . .	17
Dissecting Kit, Student . . . . .	61
Dissecting Retractor . . . . .	56
<b>Dissection</b>	
Boards . . . . .	86-87
Forceps . . . . .	18-19
Pins . . . . .	87
Stainless Steel Drain Tray . . . . .	107
<b>Dissection/Necropsy</b>	
Large Animal . . . . .	410-413
Large Animal, Tilt . . . . .	412-413
Small Animal, Rotating . . . . .	416-417
<b>Dissection Scissors</b>	
Blunt/Blunt . . . . .	5
Disposable . . . . .	17
Doyen Abdominal . . . . .	11
Enterotomy . . . . .	10
G. I. Enterotomy . . . . .	10
Sharp/Blunt . . . . .	4
Sharp/Sharp . . . . .	4
<b>Dissection Stations</b>	
HF100 . . . . .	314-315
HF200 . . . . .	316
<b>Dissection/Grossing Tables</b>	
HA Series . . . . .	296-303
HA100 Recessed Top . . . . .	296-297
HA200 Creased Top . . . . .	298-299
HA300 Removable Tray . . . . .	300-301
HB Series . . . . .	304-311
HB100 Hinged Cover . . . . .	304-305
HB400 Downdraft . . . . .	306-307
HB450 Downdraft . . . . .	308-309
HC Series Dissection Table . . . . .	148-149
HG Series Totaldraft . . . . .	200-203
Dissection Tanks . . . . .	312-313
Drape, Autopsy Head . . . . .	89
Dryer, Laboratory Slide . . . . .	113
Dump Station . . . . .	438
Dura-Strip Forceps . . . . .	50
<b>E</b>	
EAZY SOAK Instrument Cleaner . . . . .	70
Electronic Balances . . . . .	100
Elevating Autopsy Carts . . . . .	234-235
Elevating Grossing Workstation . . . . .	144-155
<b>Embalming</b>	
CF Series . . . . .	248-249
CF100 Right Approach . . . . .	250
CF200 Left Approach . . . . .	250
CF300 Center Approach . . . . .	251
CF400 Embalming Cart . . . . .	252
CF500 Embalming Work Cell . . . . .	405
FD200 Station . . . . .	282
Enterotomy Scissors . . . . .	10
Enzyme Instrument Cleaner . . . . .	71
ErgoGross Workstation . . . . .	146-151
Ergonomic Forceps . . . . .	26
ErgoPath Chair . . . . .	216
Evidence Storage Cabinet . . . . .	108
Extension, Hydro-Aspirator . . . . .	106
<b>F</b>	
Filtering System, Fume Hood . . . . .	126-127
<b>Filters</b>	
Chemical . . . . .	139
HEPA . . . . .	139
Particle . . . . .	139
Flexible Probes . . . . .	58
Floor Scale . . . . .	104-105
<b>Flotation Baths, Tissue</b>	
Digital . . . . .	112
Illuminated . . . . .	112
Lighted Tissue Float Bath . . . . .	112
Round . . . . .	112
Fluid Collection System . . . . .	107
Fold Up Table OD100 . . . . .	439
<b>Forceps</b>	
Adson . . . . .	18
Angled . . . . .	23
Bayonet . . . . .	18
Curved Tip, Serrated . . . . .	21
CutMATE . . . . .	24
Delicate-Tissue . . . . .	23
Disposable, plastic . . . . .	21
Disposable, stainless steel . . . . .	21
Dissection . . . . .	18-19
Dressing . . . . .	27
Dura-Strip . . . . .	50
Ergonomic . . . . .	26
Forceps Jars . . . . .	60
Halstead Mosquito . . . . .	25
Hemostatic Forceps . . . . .	25
Imprinted . . . . .	29
Iris Tissue . . . . .	20, 28
Kelley . . . . .	25
Kuehne Coverglass . . . . .	21
Liston Bone Cutting . . . . .	50
Magnifier . . . . .	29
Micro-Grooved Tissue . . . . .	28
Plastic . . . . .	21
Potts Smith . . . . .	27
Pro-Cut . . . . .	24
Rochester Ochsner . . . . .	25
Rochester Pean . . . . .	25
Rubber Tipped . . . . .	22
Russian Tissue . . . . .	20
Serrated Tissue . . . . .	28
Specimen Paddle . . . . .	22
Standard . . . . .	18-21
Wide Paddle . . . . .	22
Forcep Grip . . . . .	31
Formalin, Gravity Fed Dispensing . . . . .	215
Formalin Pump System . . . . .	214
Freezer Reach In . . . . .	123
Freezer Under Counter . . . . .	122
Fume Exhaust Hoods . . . . .	126-127
Fume Module . . . . .	126-127
Fume Ventilation Adapter . . . . .	126-127
Funnels, Stainless Steel . . . . .	82
<b>G</b>	
Gigli Saw . . . . .	55
Glass Slide Storage . . . . .	119
Glove Dispensers . . . . .	103
Glove, Stainless Steel . . . . .	103
Gravity Fed Formalin Dispensing . . . . .	215
Grips, Forcep and Scalpel . . . . .	30-31
Grooved Needle Director . . . . .	58
Grossing Knife . . . . .	38
<b>Gross Dissection Workstations</b>	
BF500-BF550 Downdraft . . . . .	198-199
BF600 Counter Downdraft . . . . .	405
<b>HC Series Dissection Tables</b>	
HC100/HC200/HC300 . . . . .	198-199

# Index

- HG Series Totaldraft ..... 200-203  
HG100 ..... 200-201  
HG200 ..... 200-201  
HG300 ..... 202  
HG400 ..... 203  
HG500/HG600 ..... 204  
HH100 Disabled ..... 206-207  
HI100, HL150 Vent-Back ..... 208-209  
HL048, HL072, HL096, HL120 ..... 212-213
- HK Series**  
HK100 ..... 210  
HK110 ..... 210  
HK200 ..... 210  
HK300 ..... 211  
HK400 ..... 211
- HL Series**  
HL048, 092, 072, 120Backdraft  
Ventilated ..... 212-213
- MB Series**  
MB100 Grossing ..... 156-157  
MB200 Grossing ..... 158-159  
MB400 Grossing ..... 160-161  
MB450 Grossing, Shared Sink ..... 162-163  
MB600 Grossing, Elevating ..... 166-167  
MB650 Grossing, Elevating, Knee Space  
..... 168-169  
MB700 Grossing, Elevating .....  
Wall Mount ..... 170-171  
MC100 Grossing Workstation, Dual ..... 172-173  
MD100 Island Workstation ..... 188-189
- ME Series**  
ME100 Dualdraft ..... 178-179  
ME200 Dualdraft ..... 180-181  
ME300 Dualdraft ..... 182-183  
ME400 Dualdraft ..... 184-185  
ME600/ME650 Dualdraft ..... 186-187  
MG100 Elevating Workstation ..... 146-151
- MK Series**  
MK100 Elevating ..... 190-191  
MK200 Elevating ..... 192-193  
MK300 Downdraft T-Shaped ..... 194-195
- H**  
Half Curved Postmortem Needles ..... 63  
Halstead-Mosquito Forceps ..... 25  
Hammer, Postmortem ..... 53  
Hand-Held Knife Sharpener ..... 47  
Handles, Blade ..... 40-41  
Hanging Scale ..... 98-99  
Headcovers ..... 89
- Headrests**  
Disposable ..... 88  
Plastic Sani-Block ..... 88  
Rubber Sani-Block ..... 88  
Stainless steel ..... 88  
Stainless steel with strap ..... 89
- Hemostats, Forceps ..... 25  
Halstead Mosquito ..... 25  
Kelley ..... 25  
Rochester Pean ..... 25
- Rochester Ochsner ..... 25  
Hone Sharpener ..... 48  
Hook, Double Prong Flesh ..... 58  
Hospital (Mortuary) Bucket ..... 81  
Hydraulic Fork Lift Non Powered ..... 352-353  
Hydraulic Fork Lift Powered ..... 352-353  
Hydro-Aspirator, Extension ..... 106  
Hydro-Aspirator, Vacuum ..... 106
- I**  
Illuminator Tissue Flotation Bath ..... 112  
Illuminators, X-Ray ..... 95
- In House Ventilation**  
BF450 ..... 131  
OG150 ..... 426
- Instrument**  
Bin with Strainer ..... 81  
Cases ..... 61  
Cleaner, Enzyme ..... 71  
Cleaning Brushes, Nylon ..... 70  
Cleaning Brushes, Stainless Steel ..... 70  
Tray ..... 80  
Tray Cover Sets ..... 80  
Iris Scissors ..... 12  
Iris Scissors SuperCut ..... 13  
Iris Scissors, Tungsten Carbide ..... 14  
Iris Tissue Forceps ..... 20, 28
- J**  
Jars, Forceps ..... 60  
Jars, Staining ..... 117
- K**  
Kelley Forceps ..... 25  
Knife Holder ..... 60  
Knife Sharpeners ..... 46-48
- Knives**  
Autopsy Dissection ..... 33-35  
Brain ..... 36-37  
Cartilage ..... 36-37  
Disposable Macro-Prep Standard ..... 36  
Disposable Macro-Prep Premium ..... 37  
German Autopsy Dissection ..... 34-35  
Handle ..... 41  
Heavy Pattern ..... 33  
Specimen ..... 34  
Lung ..... 36-37  
Rib Cutting ..... 52  
Ruled ..... 33  
Sani-Safe ..... 38  
Sharpener (3-Way) ..... 46  
Sharpener, Hand-Held ..... 47  
Surgical ..... 36-37  
Trimming ..... 36-37
- L**  
Laboratory Refrigerators ..... 122-123  
Laboratory Slide Dryer, Roto-Dry ..... 113  
Lead Bone Mallet ..... 53  
Lift Bar, Body Tray ..... 351  
Lift, Cadaver ..... 344-350  
Lift, Cadaver/Body Straps ..... 356  
Lift, Overhead ..... 354-355
- Lift, Fork – Cadaver**  
JA300 Single ..... 342  
JA300 Single ..... 342  
JA305, 405 Hydraulic ..... 352-353  
JA600 Hydraulic ..... 336-337  
JD620 Elevating ..... 339  
JD710/JD715 ..... 350  
JD400 Roller Pallet ..... 348  
JD600 Straps ..... 356  
JD500 Tray Lift Bars ..... 356  
JD3000 Overhead Body Lift ..... 354-355
- Lighted Tissue Flotation Bath ..... 112
- Light**  
Ceiling Mounted ..... 97  
Dissection ..... 96-97  
Portable ..... 96  
Surgical ..... 96-97  
Track ..... 97  
Wall Mount ..... 97  
Limb Lock ..... 83  
Liston Bone Cutting Forceps ..... 50  
Loupe, Binocular Magnifying ..... 60  
Lubricant, Spray ..... 71  
Lung Knife ..... 36-37
- M**  
Macro Knives ..... 36-37  
Magnifying, Binocular Loupe ..... 60  
Magnifying Forceps ..... 29  
Mallets, Bone ..... 53  
Mayo-Hegar Needle Holder ..... 64  
Mayo Scissors ..... 7  
Mayo Scissors, SuperCut ..... 13  
Mayo Scissors, Tung. Carbide ..... 14  
Medical Bags ..... 66  
Metacarpal Saw ..... 49  
Metzenbaum Scissors ..... 9  
Metzenbaum Scissors, SuperCut ..... 13  
Metzenbaum Scissors, Tung. Carb. ..... 14  
Micro Iris Scissors ..... 16  
Micro Iris Tissue Forceps ..... 28  
Micro Scissors ..... 16  
Micro Serrated Tissue Forceps ..... 28  
Micro Tissue Forceps ..... 28
- Microscope Slide**  
Holder ..... 119  
Storage ..... 119
- Microtome Blades**  
Disposable, Bulk ..... 116  
Microtome Object Disks ..... 116  
Microtome Tray ..... 116  
Mobile Book Holder Station ..... 110  
Module, Fume ..... 126-127  
Mopec Autopsy Saw ..... 75  
Mortuary (Hospital) Bucket ..... 81  
Mortuary Cabinets ..... 390-406  
Mortuary Racks ..... 322-328
- Mortuary Refrigerators**  
KA100 End, 1 Body ..... 362

# Index

KA200 End, 2 Body . . . . .	362
KA300 End, 3 Body . . . . .	363
KA400 End, 4 Body . . . . .	363
KA500 End, 6 Body . . . . .	364
KA510 End, 6 Body . . . . .	364
KA600 End, 9 Body . . . . .	365
KA700 End, 8 Body . . . . .	365
KC100 Side 1 Body . . . . .	366
KC200 Side 2 Body . . . . .	366
KC300 Side 3 Body . . . . .	367
KB100 2 Body Roll in . . . . .	368
KB200 4 Body Roll in . . . . .	368
KB300 2 Body Roll in . . . . .	369
KB400 4 Body Roll in . . . . .	369
KD100 3 Body Roll in 1 Tel . . . . .	370
KD200 6 Body Roll in 2 Tel . . . . .	370
KH100 1 Body Conv. . . . .	374
KH200 2 Body Conv. . . . .	374
KH300 3 Body Conv. . . . .	375
KH400 4 Body Conv. . . . .	375
KH500 6 Body Conv. . . . .	376
KH510 6 Body Conv. . . . .	376
KH600 9 Body Conv. . . . .	377
KH700 8 Body Conv. . . . .	377
KI100 1 Body Side Conv . . . . .	378
KI200 2 Body Side Conv . . . . .	378
KI300 3 Body Side Conv . . . . .	379
KJ100 3 Body End Conv . . . . .	380
KJ200 6 Body End Conv . . . . .	380
Conveyor Tray System . . . . .	372-381
End Opening . . . . .	372-373
Laboratory . . . . .	122-123
Roll-In . . . . .	368-369
Side Opening . . . . .	366-367
Walk-In . . . . .	382-388
KE100 . . . . .	386
KE200 . . . . .	386
KE300 . . . . .	387
KE400 . . . . .	387
KE500 . . . . .	388
Mortuary Rack . . . . .	322-328
<b>N</b>	
Necropsy, Ventilated Station . . . . .	440-441
Necropsy Section . . . . .	407-441
<b>Necropsy Table</b>	
Dump Station . . . . .	438
Fold-up . . . . .	439
Large Animal . . . . .	410-413
Large Animal, Tilt . . . . .	412-413
Portable Work . . . . .	429, 436
Small Animal, Rotating . . . . .	416
<b>Needles</b>	
Needle Director, Grooved . . . . .	58
Needle Holder . . . . .	65
Needle Holder, Mayo-Hegar . . . . .	64
<b>Needles, Postmortem</b>	
Circle Curved . . . . .	63
Double Curved . . . . .	63
Half Curved . . . . .	63
Straight . . . . .	62
Needle Puller . . . . .	64
Scales . . . . .	98-102
Thread . . . . .	64
Potassium Permanganate Filter . . . . .	139
<b>Probes</b>	
Bullet . . . . .	59
Double Prong Flesh Hook . . . . .	58
Flexible with Eyelet . . . . .	58
Puller, Needle . . . . .	64
Pump System, Formalin . . . . .	214
Punch, Skin . . . . .	66
Straight . . . . .	62
Needle Puller . . . . .	64
Needle, Teasing . . . . .	58
Neoprene Dissection Board . . . . .	87
Non-Clogging Aspirator . . . . .	106
Nylon Instrument Cleaning Brushes . . . . .	70
<b>O</b>	
<b>Operating, Dissection Scissors</b>	
Blunt/Blunt . . . . .	5
Disposable . . . . .	17
Doyen Abdominal . . . . .	11
Enterotomy . . . . .	10
G. I. Enterotomy . . . . .	10
Sharp/Blunt . . . . .	5
Sharp/Sharp . . . . .	4
Organ Rinse Station . . . . .	314-316
Osteotomes . . . . .	32
Overhead Body Lift . . . . .	354-355
<b>P</b>	
Pail Specimen Strainer . . . . .	81
Pan, Perforated . . . . .	80
PathAceto Wipes . . . . .	117
Paraffin Dispenser . . . . .	114
Paraffin Tappers . . . . .	114
Particle Filter . . . . .	139
Path Cloud Cleaner/Disinfectant . . . . .	70
Pathology Cabinets . . . . .	406
Pathport® Replacement Pads . . . . .	120-121
Pathport® Specimen Transport System . . . . .	120
Pathport® Mobile . . . . .	121
PathWipes . . . . .	69
Perforated Pan . . . . .	80
Plastic Forceps . . . . .	21
Podium, Stainless Steel . . . . .	110
<b>Portable</b>	
Balance . . . . .	102
Dissection Cart . . . . .	284-285
Lights . . . . .	96
Scale, ACCULAB . . . . .	101-102
Surgical Light . . . . .	96
<b>Postmortem</b>	
Hammer . . . . .	53
Needles	
Circle Curved . . . . .	63
Double Curved . . . . .	63
Half Curved . . . . .	63
Straight . . . . .	62
Needle Puller . . . . .	64
Scales . . . . .	98-102
Thread . . . . .	64
Potassium Permanganate Filter . . . . .	139
<b>Probes</b>	
Bullet . . . . .	59
Double Prong Flesh Hook . . . . .	58
Flexible with Eyelet . . . . .	58
Puller, Needle . . . . .	64
Pump System, Formalin . . . . .	214
Punch, Skin . . . . .	66
<b>Q</b>	
Clicksmart Blade Removal System . . . . .	44-45
QuietCut HEPA Replacement Filter . . . . .	74
<b>R</b>	
Rachiotome . . . . .	52
<b>Racks, Storage</b>	
Body Transporter . . . . .	330-331
IA Series Cantilever . . . . .	318-319
IB Series Cantilever . . . . .	320-321
IE Series Cantilever . . . . .	322-323
IG Series Portable . . . . .	332-333
JB Series . . . . .	343
IB Series Cantilever . . . . .	296-297
MW Series . . . . .	324-328
<b>Recirculating Unit</b>	
BF400 . . . . .	130-131
OG100 . . . . .	426
<b>Reconditioning</b>	
Mopec Autopsy Saw . . . . .	75
<b>Refrigerators</b>	
Conveyor Tray System . . . . .	372-381
End Opening . . . . .	372-373
Laboratory . . . . .	122-123
Roll-In . . . . .	368-369
Side Opening . . . . .	366-367
Walk-In . . . . .	382-388
Remover, Blade . . . . .	42, 44-45
<b>Replacement Filters</b>	
Activated Charcoal, Bulk . . . . .	139
Charcoal . . . . .	139
HEPA . . . . .	139
Particle . . . . .	139
Potassium Permanganate . . . . .	139
<b>Replacement Pads</b>	
Pathports . . . . .	120
Pathport® . . . . .	121
Retractors . . . . .	56-57
Rib Cutting Knife . . . . .	52
Rib Shears . . . . .	51
Rochester Ochsner Forceps . . . . .	25
Rochester Pean Forceps . . . . .	25
Roller Pallet, Body Tray . . . . .	348-349
Roller Style, Cadaver Carrier . . . . .	340-341
Room Filtration Module . . . . .	128
Roto-Dry . . . . .	113
Round Tissue Flotation Bath . . . . .	112
Rubber Tipped . . . . .	22
<b>Rulers</b>	
Ruler, Foldable . . . . .	68
Ruler, Metric . . . . .	67
Ruler, Pathology . . . . .	67
Ruler, Precision Caliper . . . . .	68
Russian Tissue Forceps . . . . .	20
<b>S</b>	
Sanitray . . . . .	107
Satterlee Bone Saw . . . . .	49
Satterlee Bone Saw Blade . . . . .	49
<b>Saws</b>	

# Index

Arbor . . . . .	78	Dissection . . . . .	14	Cabinets, Tall . . . . .	397-398
Arbor Wrench . . . . .	78	Iris . . . . .	14	Microscope Slides . . . . .	119
Autopsy, Mopec . . . . .	75	Mayo . . . . .	14	Rack, Cadaver/Mortuary . . . . .	324-328
<b>Blade</b>		Metzenbaum . . . . .	14	Rack, Portable . . . . .	318-319
Round . . . . .	79	Self Contained Necropsy Station . . . . .	440-441	Strainer . . . . .	81-82
Round, SuperCut . . . . .	79	Sharp/Blunt Scissors . . . . .	14	Strainer, Standard Bowl . . . . .	81
Sectioned (Large) . . . . .	78	Sharp/Sharp Scissors . . . . .	14	Strainer, Specimen . . . . .	82
SuperCut . . . . .	79	Section Lifter Sigle Ended . . . . .	55	Straps, Body (Cadaver) . . . . .	356
Sectioned (Small) . . . . .	78	<b>Sharpeners</b>		Student Dissecting Kit . . . . .	61
Spinal Column . . . . .	78	Bone Shear . . . . .	43	Student Instrument Cases . . . . .	61
Bone . . . . .	78-79	Knife . . . . .	47	<b>SuperCut</b>	
Gigli . . . . .	55	Mopec 3-Way . . . . .	46	Iris Scissors . . . . .	13
Metacarpal . . . . .	49	Scissors . . . . .	43	Mayo Scissors . . . . .	13
Mopec Autopsy . . . . .	75	<b>Shears</b>		Metzenbaum . . . . .	13
Reconditioning Service . . . . .	77	Bone/Rib . . . . .	51	Stevens Tenotomy . . . . .	13
Satterlee . . . . .	49	<b>Sinks, Autopsy, Wall Mount</b>		Surgical Blades . . . . .	39, 41
Satterlee Blade . . . . .	49	C Series . . . . .	218-231	<b>Surgical Light</b>	
ZawBones . . . . .	76	CA100 Right Approach . . . . .	220	Ceiling Mount . . . . .	97
ZawBones Replacement Blades . . . . .	76	CB100 Left Approach . . . . .	221	Portable . . . . .	96
Scales . . . . .	98-102	CC100 Center Approach . . . . .	222-223	Track . . . . .	97
<b>Scalpels</b>		CC300 Dual Approach . . . . .	224-225	Wall Mount . . . . .	97
Blades . . . . .	39, 41	<b>Sinks, Wall Mounted Elevating Autopsy</b>		Surgical Scissors, SuperCut . . . . .	13
Disposable . . . . .	39	CA200 Right Approach . . . . .	229	<b>T</b>	
Grip . . . . .	30-31	CB200 Left Approach . . . . .	230	<b>Tables, Autopsy</b>	
Handles . . . . .	40-41	CC200 Center Approach . . . . .	231	CE Series . . . . .	254-281
<b>Scissors</b>		Skin Punch . . . . .	66	CE100 Pedestal . . . . .	254-255
Blunt/Blunt . . . . .	5	Sink, Scrub CH Series . . . . .	292	CE200 Elevating . . . . .	256-257
Delicate Double Curved, Sharp . . . . .	11	Skull Breaker . . . . .	52	CE210 Elevating, Bariatric . . . . .	258-259
Disposable . . . . .	17	<b>Slide</b>		CE300 Rotating . . . . .	260-261
Dissection . . . . .	4-7	Slide Dryer, Roto-Dry . . . . .	113	CE310 Rotating/Elevating . . . . .	262-263
Doyen Abdominal . . . . .	11	Slide Holder . . . . .	119	CE340 Windsor . . . . .	264-265
Dubois Decapitation . . . . .	8	Slidestaining Tray Kit . . . . .	115	CE350 Salisbury . . . . .	266-267
Enterotomy . . . . .	10	Slide Storage Cabinet . . . . .	119	CE400 Short . . . . .	268-269
Enterotomy, Left Handed . . . . .	10	Spinal Cord . . . . .	59	CE500 Economical . . . . .	270-271
Iris . . . . .	12	Specimen Pins . . . . .	87	CE600 "L" Shaped, Integral Right	
Iris SuperCut . . . . .	13	Specimen Transport Carts . . . . .	109	Wing . . . . .	272-273
Iris Tungsten Carbide . . . . .	14	Spray Lubricant . . . . .	71	CE650/CE750 "L" Shaped Elevating	
Mayo . . . . .	7	Staining Dish with Cover . . . . .	117	Wing . . . . .	274-275
Mayo Nobel . . . . .	8	Staining Jars . . . . .	117	CE700 "L" Shaped, Integral Left	
Mayo SuperCut . . . . .	13	Staining Tray with Handle . . . . .	118	Wing . . . . .	272-273
Mayo Tungsten Carbide . . . . .	14	Stapler, Postmortem . . . . .	65	CE800 Service Island . . . . .	276-277
Metzenbaum . . . . .	9	<b>Stainless Steel</b>		CE850 Service Table . . . . .	278-279
Metzenbaum SuperCut . . . . .	13	Autopsy Cart Top . . . . .	290-291	CE900 Pedestal . . . . .	280-281
Micro . . . . .	16	Body Tray . . . . .	351	<b>Necropsy</b>	
Micro Iris . . . . .	16	Cabinets . . . . .	389-406	Dump Station . . . . .	438
Sharp/Blunt . . . . .	4, 13-14	Cleaner & Polish . . . . .	71	Fold-up . . . . .	439
Sharp/Sharp . . . . .	4, 14	Dissection Drain Tray . . . . .	87	Large Animal . . . . .	410-413
Specialty . . . . .	7-11	Funnel . . . . .	82	Large Animal, Tilt . . . . .	410-413
Stevens Tenotomy SuperCut . . . . .	13	Instrument Cleaning Brushes . . . . .	70	Medium Animal . . . . .	420-421
SuperCut . . . . .	13	Podium/Supply Cart . . . . .	110	Portable Work . . . . .	439
SuperCut Dissection . . . . .	13	Polishing Wipes . . . . .	69	Small Animal, Rotating . . . . .	416-417
Titanium . . . . .	15	Sinks . . . . .	297	<b>Tables, Bariatric</b>	
<b>Scissors, SuperCut</b>		Standard Tissue Forceps . . . . .	19	CE210 Elevating . . . . .	262-263
Dissection . . . . .	13	<b>Stations, Dissection</b>		<b>Tables, Dissection</b>	
Iris . . . . .	13	HF100 . . . . .	314-315	HA Series . . . . .	296-303
Mayo . . . . .	13	HF200 . . . . .	316	HA100 Recessed Top . . . . .	296-297
Metzenbaum . . . . .	13	Sterilization Set . . . . .	80	HA200 Creased Top . . . . .	295-299
Stevens Tenotomy . . . . .	13	Stevens Tenotomy Scissors, SuperCut . . . . .	13	HB Series . . . . .	304-311
<b>Scissors, Tungsten Carbide</b>		<b>Storage</b>		HB100 Hinged Cover . . . . .	304-305



# Index

HB400	306-307
Table, C Arm X-Ray	288-289
Tall Storage Cabinets	397-398
Teasing Needles	58
Tags, Body	93
<b>Thread</b>	
Poly Cord	64
Unwaxed Cord	64
Waxed Cord	64
Ti-Alloy Scissors	15
Tissue Floatation Baths	112
Tools, Prong Dissection	54-56
<b>Tops, Cart</b>	
GA Series	290-291
Inner Trough	290
Stainless Steel	290
Track Surgical Light	97
Transfer Dyes	115
<b>Transporter, Cadaver/Body Tray</b>	
2 Tier	330-331
4 Tier	330-331
5 Tier	330-331
<b>Trays, Body</b>	
JC Series	351
Polyethylene X-Ray	351
Stainless Steel	351
Tray, Instrument	80
Tray, Staining	115
Trimming Station, Dualdraft OG900	430-431
Triple Chain Hook	61
Trocars	107
Tubing, Clear Plastic	107
<b>Tungsten Carbide Forceps</b>	
Adson	18
Dressing	27
Potts-Smith	27
<b>Tungsten Carbide Scissors</b>	
Dissection	14
Iris	14
Mayo	14
Metzenbaum	14
Two Body Carrier	343
<b>U</b>	
Unwaxed Postmortem Thread	64
U.S. Army Pattern Osteotome	32
Utility Bin with Strainer	80
<b>V</b>	
Vacuum, HEPA Replacement Filter	74
Vented Cabinets	406
Ventilated Tissue Storage	140
Ventilation Adapter, Fume	126-127
Virchow Skull Breaker	52
<b>W</b>	
Wall Cabinets	394-395
Wall Cabinets, Dead Corner	396
<b>Wall Mounted Autopsy Sinks</b>	
CA100 Right Approach	220
CB100 Left Approach	221

CC100 Center Approach	222
CC300 Dual Approach	224-225
<b>Wall Mounted Elevating Autopsy Sinks</b>	
CA200 Right Approach	229
CB200 Left Approach	230
CC200 Center Approach	231
Wall Mounted Fold Up Table	439
<b>Wipes</b>	
Stainless Steel	69
<b>Workstations, Embalming</b>	
CF Series	248-249
CF100 Right Approach	250
CF200 Left Approach	250
CF300 Center Approach	251
CF400 Embalming Cart	252
CF500 Embalming Work Cell	405
<b>Workstations, Grossing</b>	
BF500 Back-Downdraft	132-133
BF510 Back-Downdraft	135
BF550 Freestanding Back-Downdraft	134
BF600 Counter Downdraft	405
BF900 Dualdraft	136-137
HC Series Dissection Tables	198-199
HG Series Totaldraft	200-201
HG100/HG200	200-201
HG300	202
HG400	203
HG500/HG600	204-205
HH100 Disabled	206-207
HI100/HI150 Vent-Back	208-209
HK Series T-Wing	210-211
OG200 Back-Downdraft	427
OG900 Dualdraft	430-431
MB Series Backdraft	152-171
MB100 Grossing	156-157
MB200 Grossing	158-159
MB400 Grossing	160-161
MB450 Grossing	162-163
MB600 Grossing, Elevating	166-167
MB650 Grossing, Elevating	168-169
MB670 Grossing, Elevating	164-165
MB700 Grossing, Elevating	170-171
Wall Mount	170-171
MC100 Grossing, Dual	172-173
MD100 Island	188-189
ME Series Dualdraft	178-187
ME100	178-179
ME200	180-181
ME300	192-183
ME400	184-185
ME600/650	186-187
MG100 Grossing, Elevating	146-151
MK100/MK200 Elevating	190-193
MK300 Downdraft T-Shaped	194-195
OK300 Downdraft T-Shaped	408-409
<b>Workstations, Portable</b>	
OJ100	436-437
Wrench, Arbor	78

## X

X-Ray Table, C-Arm	288-289
X-Ray Illuminator	95



# Custom

