

PROFILE 19 X 32

Part. N° 20.1000



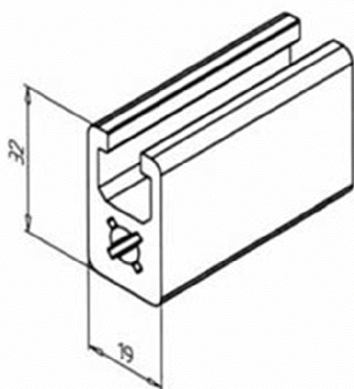
APPLICATIONS

- Light Constructions

- Window/Panel Frames

- Hand Rails

- Handles



TECHN. DATA / ITEMS SUPPLIED

- lx =	3.102 cm ⁴
- ly =	1.526 cm ⁴
- wx =	1.651 cm ³
- wy =	1.606 cm ³



- Weight	.987 kg/m
- Order cut to size using Part # 25.1094	
- Full length	6 m
- Packing unit	60 m



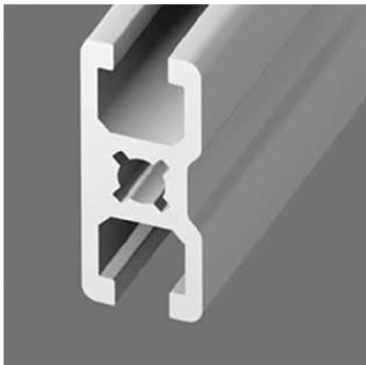
ASSEMBLY

- MiniTec power-lock fastener
- Angle 19
- Bolt-fastener 15
- Screw Connection



PROFILE 19 X 45

Part. N° 20.1001



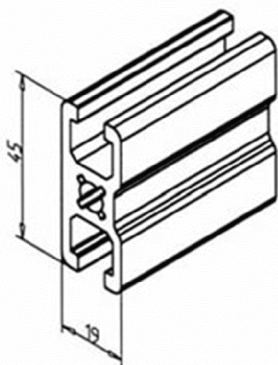
APPLICATIONS

- Door Frames

- Trade Show Displays

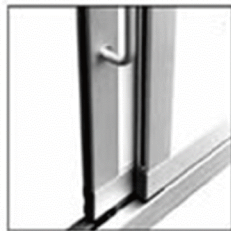
- Panel frames

- Shelves



TECHN. DATA / ITEMS SUPPLIED

- Ix =	6.173 cm ⁴
- Iy =	1.843 cm ⁴
- wx =	2.743 cm ³
- wy =	1.836 cm ³
- Weight	1.101 kg/m
- Order cut to size using Part # 25.1094	
- Full length	6 m
- Packing unit	60 m



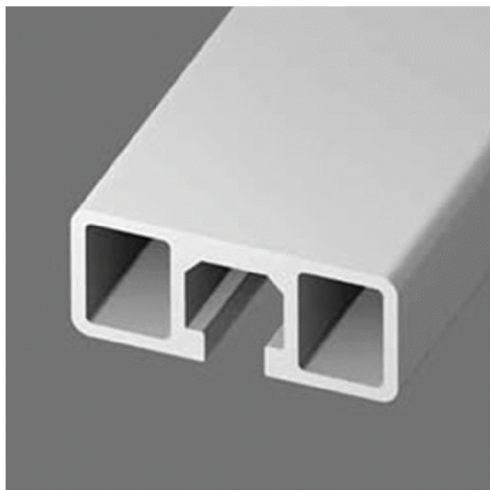
ASSEMBLY

- MiniTec power-lock fastener
- Angle 19
- Bolt-fastener 15
- Screw Connection



PROFILE 45 X 19

Part. N° 20.1012



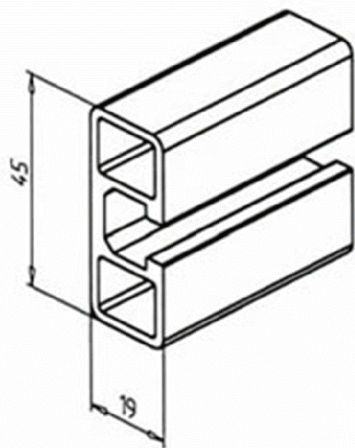
APPLICATIONS

- Light constructions

- Light Sliding Doors

- Fixturing

- T-Slotted Tables

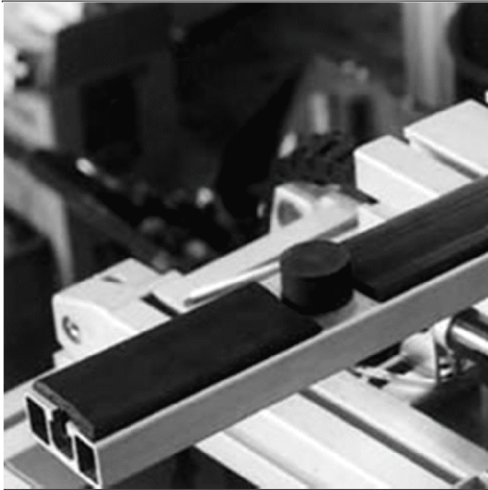


TECHN. DATA / ITEMS SUPPLIED

- lx =	6.045 cm ⁴
- ly =	1.529 cm ⁴
- wx =	2.687 cm ³



- wy =	1.494 cm ³
- Weight	.869 kg/m
- Length	6 m
- Packing unit	72 m



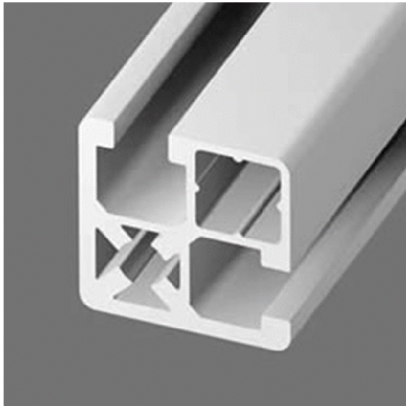
ASSEMBLY

- Angle 45
- Bolt Fastener 20
- Angle 45x90
- T-Slot Bar



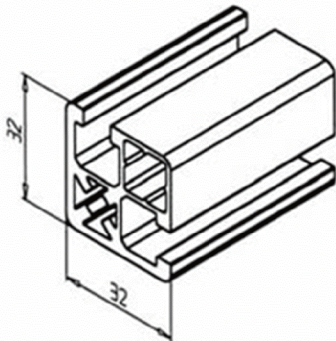
PROFILE 32 X 32 UL

Part. N° 20.1064



APPLICATIONS

- Machine Guards
- Enclosures
- Corner Posts
- Trade Show Displays



TECHN. DATA / ITEMS SUPPLIED

- | | |
|--|-----------------------|
| - Ix = | 4.100 cm ⁴ |
| - Iy = | 4.100 cm ⁴ |
| - wx = | 2.267 cm ³ |
| - wy = | 2.267 cm ³ |
| - Weight | 1.052 kg/m |
| - Order cut to size using Part # 25.1094 | |



- Full length	6 m
- Packing unit	48 m



>

ASSEMBLY

- MiniTec power-lock fastener
- Angle 19
- Bolt-fastener 15
- Screw Connection 32



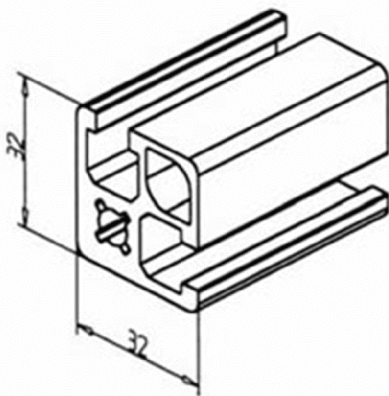
PROFILE 32 X 32 F

Part. N° 20.1054



APPLICATIONS

- Machine Guards
- Tables
- Smooth Sided Enclosures
- Attractive Displays

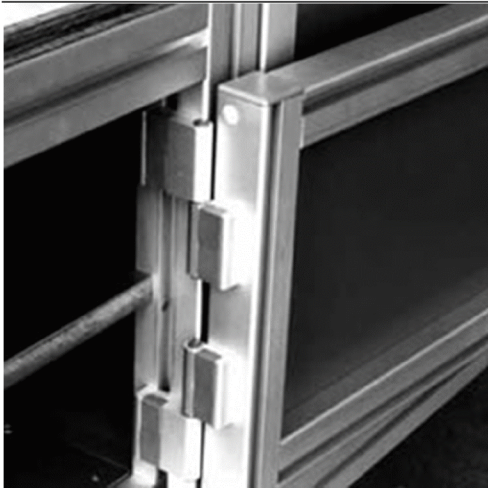


TECHN. DATA / ITEMS SUPPLIED

- | | |
|--------|-----------------------|
| - lx = | 4.825 cm ⁴ |
| - ly = | 4.825 cm ⁴ |
| - wx = | 2.703 cm ³ |



- wy =	2.703 cm ³
- Weight	1.288 kg/m
- Order cut to size using Part # 25.1094	
- Full length	6 m
- Packing unit	48 m

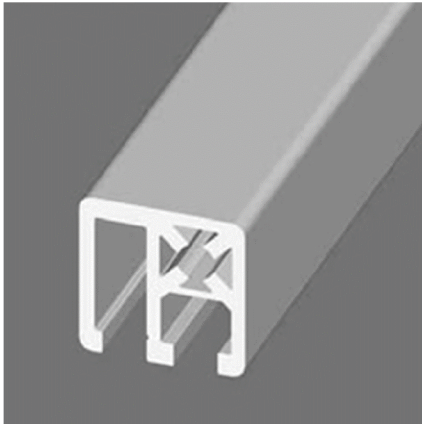


ASSEMBLY - MiniTec power-lock fastener - Angle 19 - Bolt-fastener
15 - Screw Connection 32



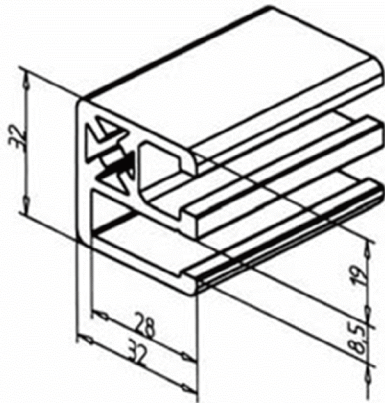
Clamp Profile 32 X 32

Part. N° 20.1070



APPLICATIONS

- Machine Guarding
- Deep Slot For Holding Square Mesh
- Lift Removeable Barrier Guarding
- Seperate Slot For Power-Lock And Panel

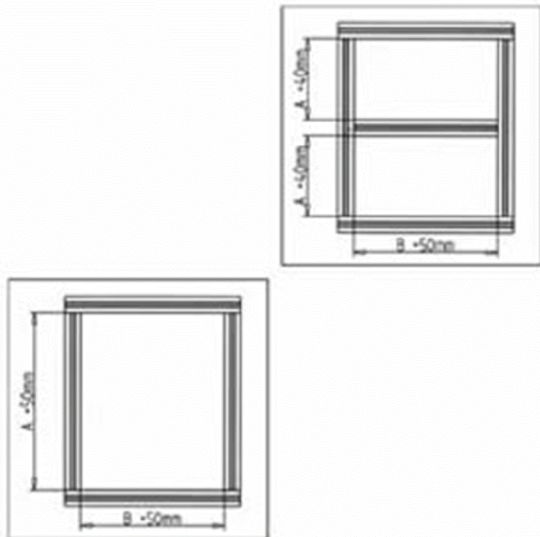


TECHN. DATA / ITEMS SUPPLIED

- Ix =	5.024 cm ⁴
- Iy =	4.418 cm ⁴
- wx =	3.041 cm ³
- wy =	2.398 cm ³
- Weight	1.211 kg/m
- Order cut to size using Part # 25.1094	



- Full length	6 m
- Packing unit	48 m



ASSEMBLY

- MiniTec power-lock fastener
- Panel Notching Not Required
- Secure Panel With Distance Profile
- Panel Size = Opening + 2 Inches



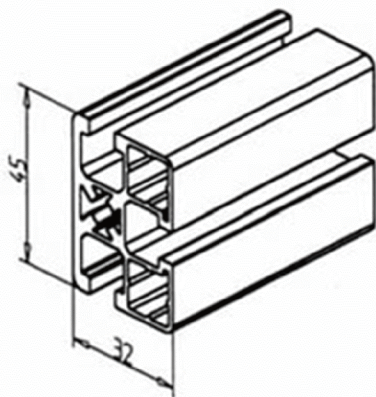
PROFILE 45 X 32 UL

Part. N° 20.1065



APPLICATIONS

- Machine Guards
- Smooth Enclosures
- Custom Swinging & Sliding Doors
- Laser Enclosures

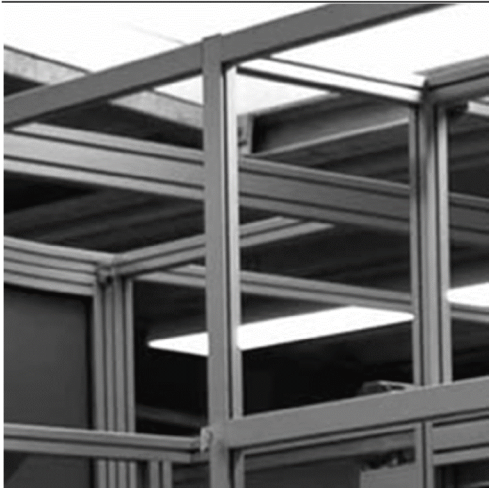


TECHN. DATA / ITEMS SUPPLIED

- lx =	8.292 cm ⁴
- ly =	5.178 cm ⁴
- wx =	3.685 cm ³



- wy =	2.815 cm ³
- Weight	1.257 kg/m
- Order cut to size using Part # 25.1094	
- Full length	6 m
- Packing unit	48 m



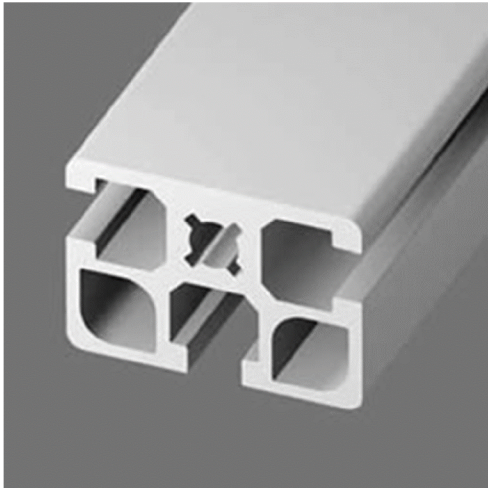
ASSEMBLY

- MiniTec power-lock fastener
- Angle 19/25/45 & 45x90
- Bolt-fastener 15/20
- Screw Connection



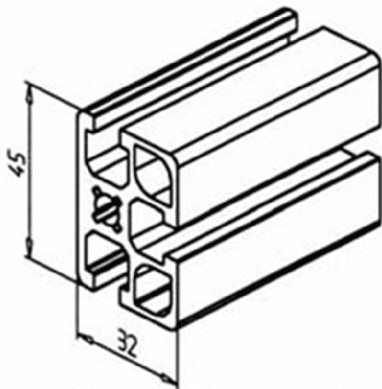
PROFILE 45 X 32 F

Part. N° 20.1055



APPLICATIONS

- Machine Frames, Enclosures & Guards
- Smooth Sided Custom Enclosures
- Swinging & Sliding Doors
- Tables, Shelves, Racks



TECHN. DATA / ITEMS SUPPLIED

- | | |
|--------|------------------------|
| - Ix = | 10.189 cm ⁴ |
| - Iy = | 6.499 cm ⁴ |
| - Wx = | 4.528 cm ³ |



- wy =	3.762 cm ³
- Weight	1.588 kg/m
- Order cut to size using Part # 25.1094	
- Full length	6 m
- Packing unit	48 m



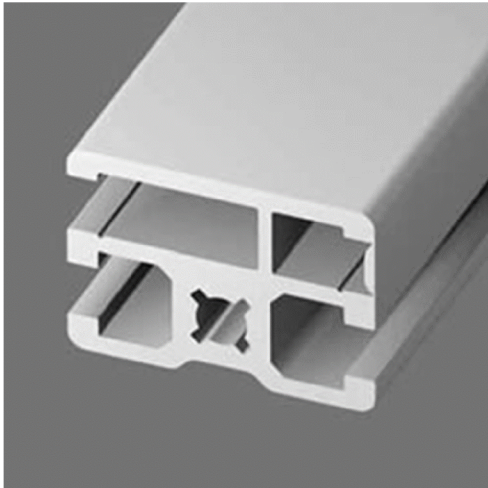
ASSEMBLY

- MiniTec power-lock fastener
- Angle 19/25/45/45x90
- Bolt-fastener 15/20
- Screw Connection



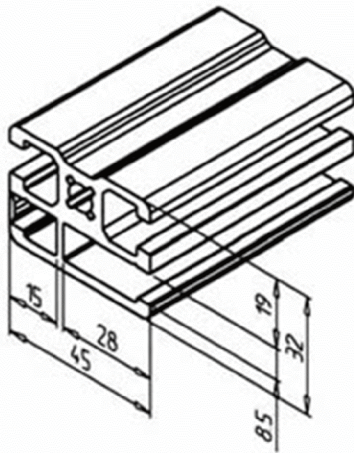
Clamp Profile 45 X 32

Part. N° 20.1053



APPLICATIONS

- Modular Barrier Guards
- Machine Enclosures
- Deep Slot Keeps Mesh From Pushing Out
- Tool Removeable Guarding Panels

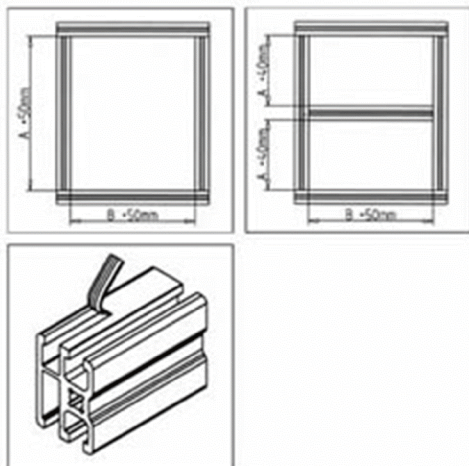


TECHN. DATA / ITEMS SUPPLIED

- lx =	6.465 cm ⁴
- ly =	9.521 cm ⁴
- wx =	3.999 cm ³



- wy =	4.119 cm ³
- Weight	1.615 kg/m
- Order cut to size using Part # 25.1094	
- Full length	6 m
- Packing unit	48 m



ASSEMBLY

- MiniTec power-lock fastener
- No Panel Notching Required
- Place Panel In Deep Slot
- Secure Mesh With Distance Profile



PROFILE 45 X 45 UL

Part. N° 20.1063



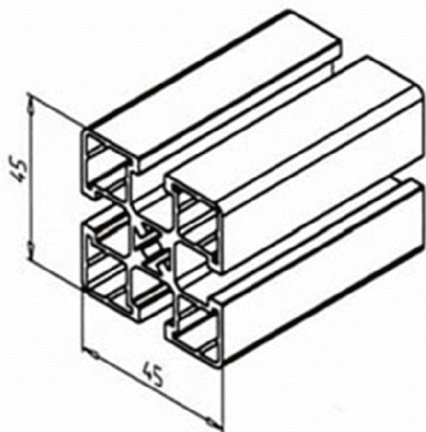
APPLICATIONS

- General Weight & Cost Optimized Structures

- Machine Guards

- Modular Tables & Light Machine Frames

- General Purpose Modular Construction Element

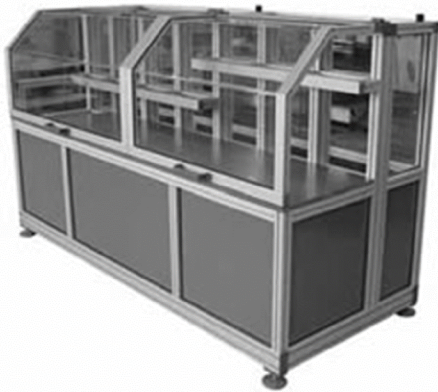


TECHN. DATA / ITEMS SUPPLIED

- Ix =	9.953 cm ⁴
- Iy =	9.953 cm ⁴
- Wx =	4.423 cm ³



- wy =	4.423 cm ³
- Weight	1.445 kg/m
- Order cut to size using Part # 25.1094	
- Full length	6 m
- Packing unit	54 m



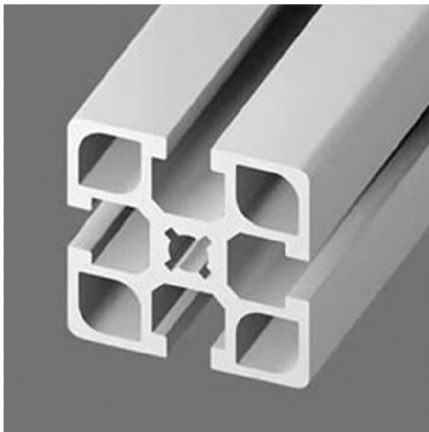
ASSEMBLY

- MiniTec power-lock fastener
- Angle 45 & 45x90
- Bolt-fastener 20
- Screw Connection



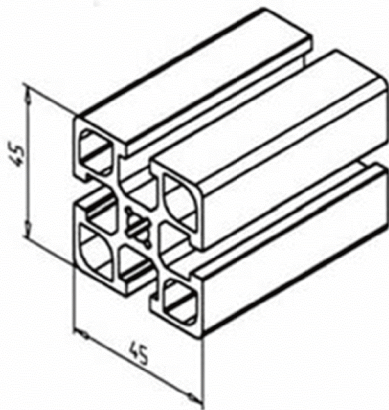
PROFILE 45 X 45 F

Part. N° 20.1033



APPLICATIONS

- Versatile Economical Construction
- Larger Machine Guards & Enclosures
- Custom Tables
- Racks, Fixturing & Shelving



TECHN. DATA / ITEMS SUPPLIED

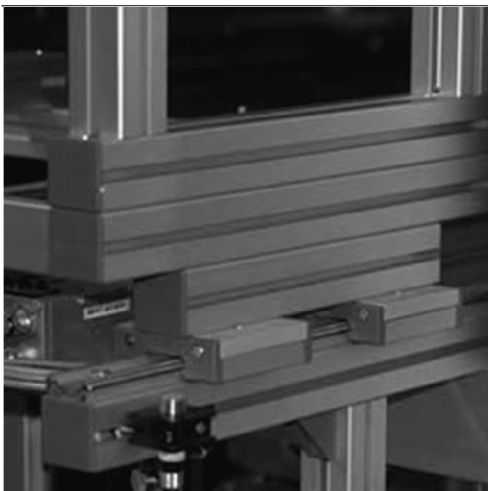
- Ix =	14.172 cm ⁴
- Iy =	14.172 cm ⁴
- wx =	6.298 cm ³
- wy =	6.298 cm ³
- Weight	2.005 kg/m



- Order cut to size using Part # 25.1094

- Full length 6 m

- Packing unit 36 m



ASSEMBLY

- MiniTec power-lock fastener

- Angle 45/45x90

- Bolt-fastener 15

- Screw Connection



PROFILE 45 X 45

Part. N° 20.1006



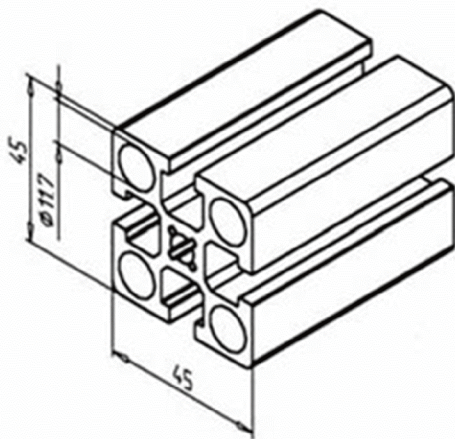
APPLICATIONS

- Compressed Air Transport

- Outer Holes Ready To Tap G-1/4

- Manifolds

- See Pneumatics Section



TECHN. DATA / ITEMS SUPPLIED

- Ix =	15.934 cm ⁴
- Iy =	15.934 cm ⁴
- Wx =	7.081 cm ³



- wy =	7.081 cm ³
- Weight	2.192 kg/m
- Length	6 m
- Packing unit	36 m



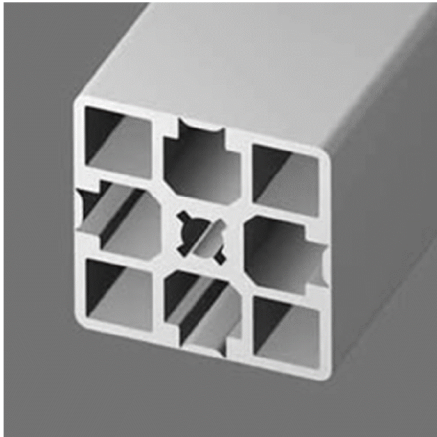
ASSEMBLY

- MiniTec power-lock fastener
- Angle 45/45x90
- Outer 4 Holes Can All Be Used For Compressed Air
- Connections From Ends & Sides Available



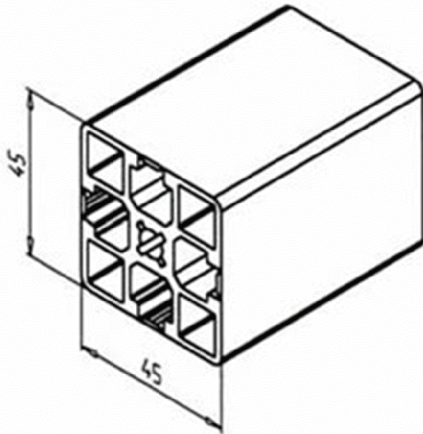
PROFILE 45 X 45 G

Part. N° 20.1028



APPLICATIONS

- Tear Away T-Slots Perfect In Clean Rooms
- Medical Carts
- Wash Down Environment/ Easy To Clean
- Smooth Attractive Modular Displays

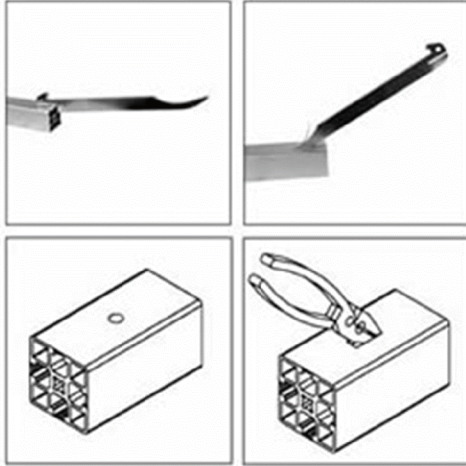


TECHN. DATA / ITEMS SUPPLIED

- lx =	14.087 cm ⁴
- ly =	14.087 cm ⁴
- wx =	6.261 cm ³
- wy =	6.261 cm ³



- Weight	1.997 kg/m
- Order cut to size using Part # 25.1094	
- Full length	6 m
- Packing unit	36 m



ASSEMBLY

- Remove Sections Of Tear Away T-Slots For Power-Lock, Square Nut Or Panel

- C'bore & Use Screw Connection

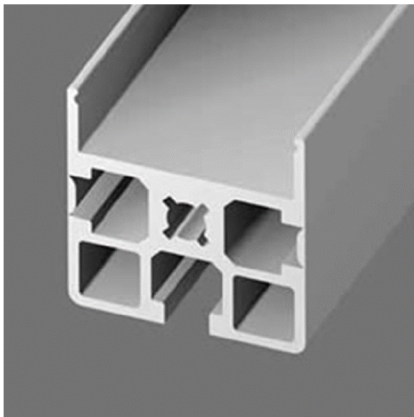
- Bolt-fastener 20

- Use With 45x45 2G & 3G



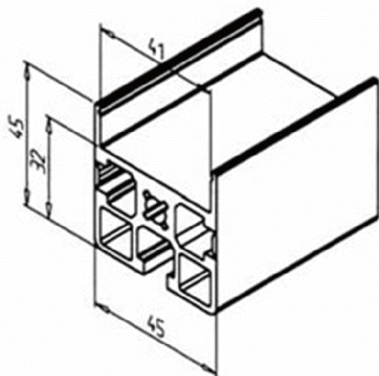
PROFILE 45 X 45 R

Part. N° 20.1046



APPLICATIONS

- Combination of construction element and:
- Cable duct
- Serpentine energy chain guide
- Multi-purpose conduit with snap on cover

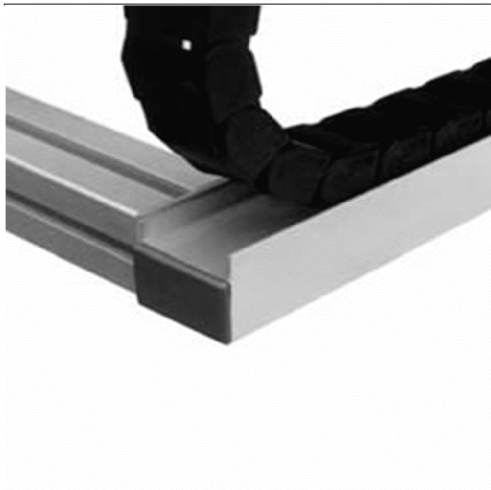


TECHN. DATA / ITEMS SUPPLIED

- Ix =	8.296 cm ⁴
- Iy =	12.997 cm ⁴
- wx =	3.247 cm ³
- wy =	5.776 cm ³
- Weight	1.711 kg/m
- Order cut to size using Part # 25.1094	



- Full length	6 m
- Packing unit	36 m



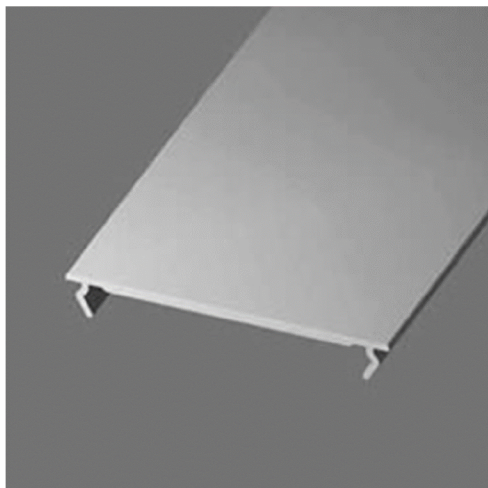
ASSEMBLY

- Power-Lock Fastener
- Angle 19/25/45/45x90
- Bolt-fastener 20
- Use with Cover 45x45 R (sold seperately)



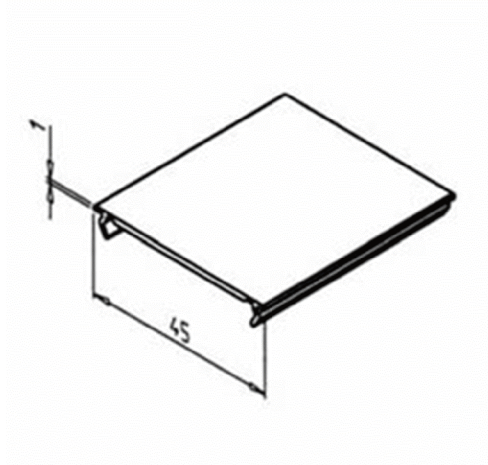
Cover 45 X 45 R

Part. N° 20.1037



APPLICATIONS

- Covering of profile 45x45 R 20.1046



TECHN. DATA / ITEMS SUPPLIED

- PVC impact resistant, gray

- Weight .11 kg/m

- Order cut to size using Part # 25.1094

- Full length 2 m



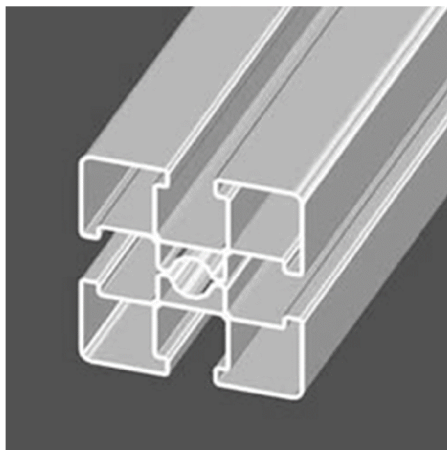
ASSEMBLY

- Snaps onto Profile 45x45 R



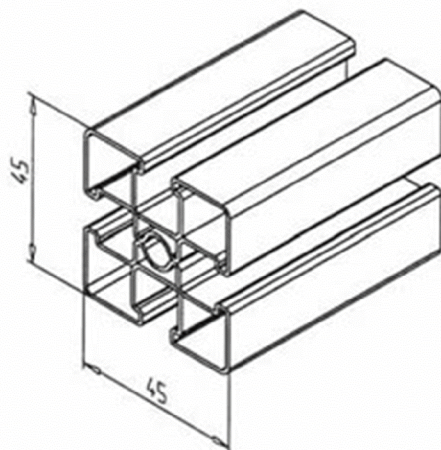
SS Profile 45 X 45 VA

Part. N° 20.2000



APPLICATIONS

- Food & beverage industry
- Outdoor constructions
- Chemical industry
- Pharmaceutical industry



TECHN. DATA / ITEMS SUPPLIED

- Material: WN DIN 1.4301 (X5 CrNi 18-10, SUS 304)
- Modulus of elasticity: 200000 N/mm²
- $I_x/I_y = 6.47 \text{ cm}^4$
- $W_y/W_x = 2.88 \text{ cm}^3$



- Weight 2.759 kg/m

Order cut to size under Part # 25.1100

- Full length 6 m



ASSEMBLY

- MiniTec power-lock fastener H

- Angles

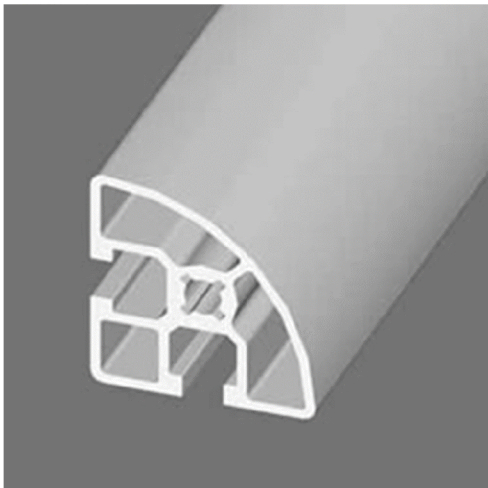
- End cap 45x45 VA Part # 22.1067/5

- Foot VA Part # 21.1865



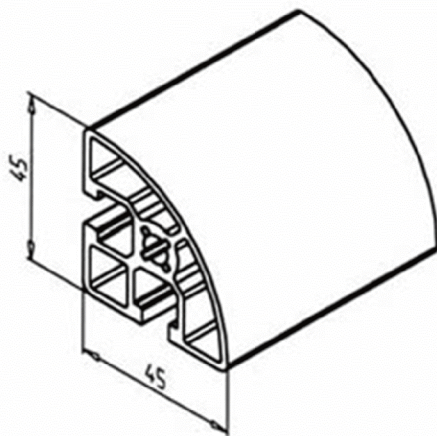
PROFILE 45 R 90°

Part. N° 20.1069



APPLICATIONS

- Corner post for tables & enclosures
- Displays & trade show exhibits



TECHN. DATA / ITEMS SUPPLIED

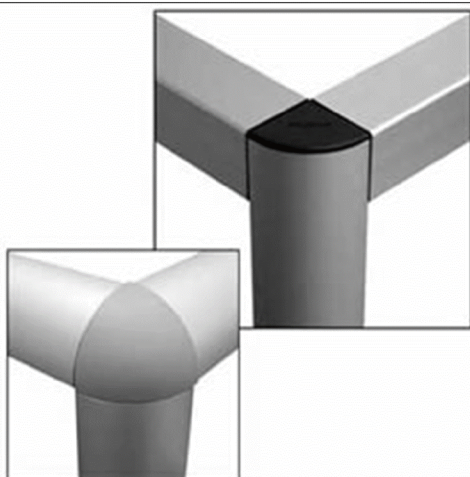
- Ix =	9.123 cm ⁴
- Iy =	9.123 cm ⁴
- wx =	3.574 cm ³
- wy =	3.574 cm ³
- Weight	1.478 kg/m



- Order cut to size using Part # 25.1094

- Full length 6 m

- Packing unit 48 m



ASSEMBLY

- MiniTec power-lock fastener

- Angle 45 R 90

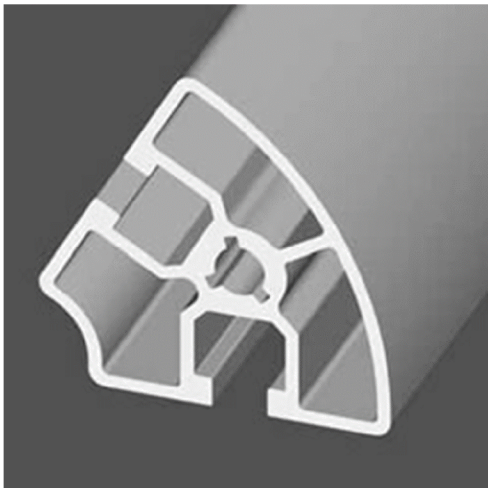
- Bolt-fastener 20

- Angles



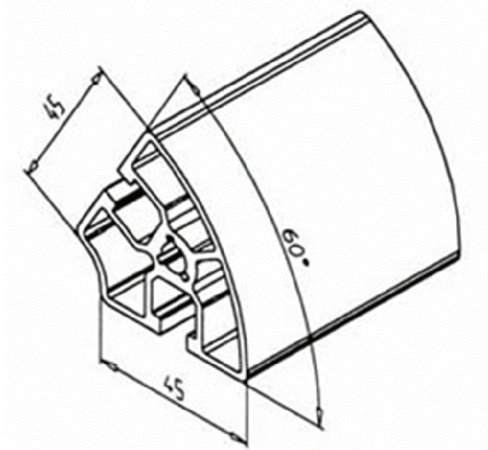
PROFILE 45 R 60°

Part. N° 20.1096



APPLICATIONS

- Angled enclosures
- Corner post for angled barrier guards



TECHN. DATA / ITEMS SUPPLIED

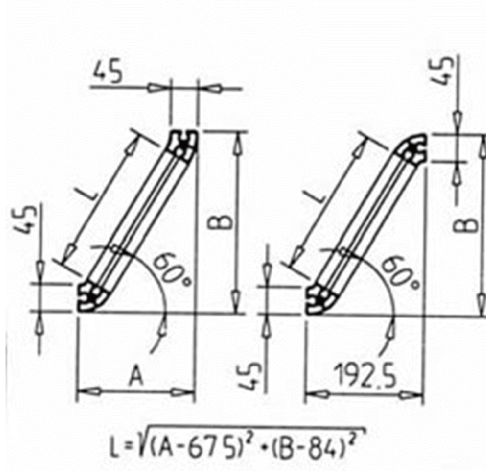
- Ix =	11.446 cm ⁴
- Iy =	10.280 cm ⁴
- wx =	3.667 cm ³
- wy =	3.752 cm ³
- Weight	1.575 kg/m



- Order cut to size using [Part # 25.1095](#)

- Full length 6 m

- Packing unit 48 m



ASSEMBLY

- MiniTec power-lock fastener

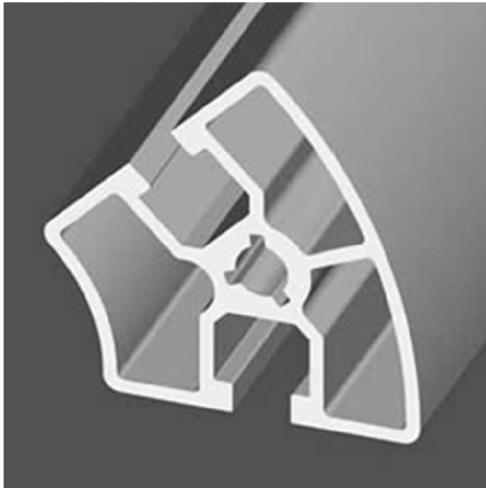
- Angle 45/45x90

- Bolt-fastener 20



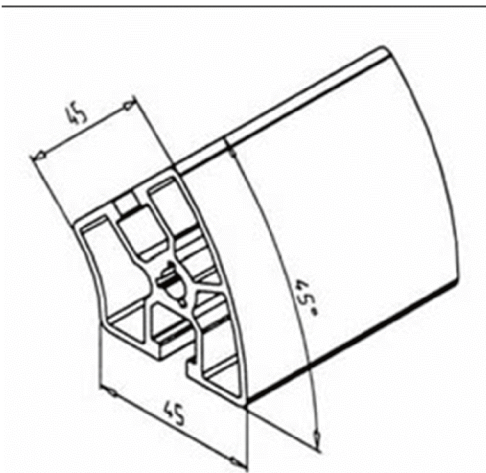
PROFILE 45 R 45°

Part. N° 20.1095



APPLICATIONS

- Angled enclosures
- Angled doors & lids
- Barrier guards with angles
- Faster and easier than mitered connections

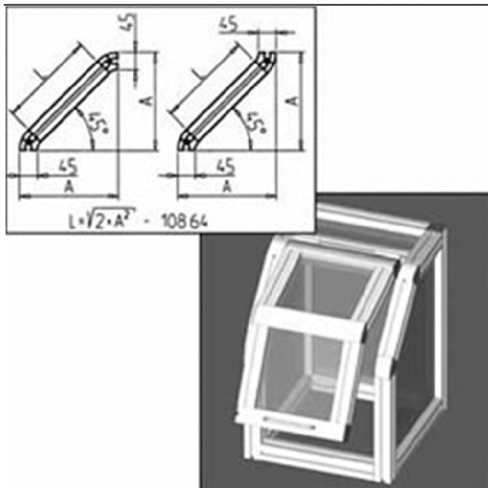


TECHN. DATA / ITEMS SUPPLIED

- lx =	12.457 cm ⁴
- ly =	11.296 cm ⁴
- wx =	3.976 cm ³



- wy =	3.837 cm ³
- Weight	1.607 kg/m
- Order cut to size using Part # 25.1095	
- Full length	6 m
- Packing unit	48 m



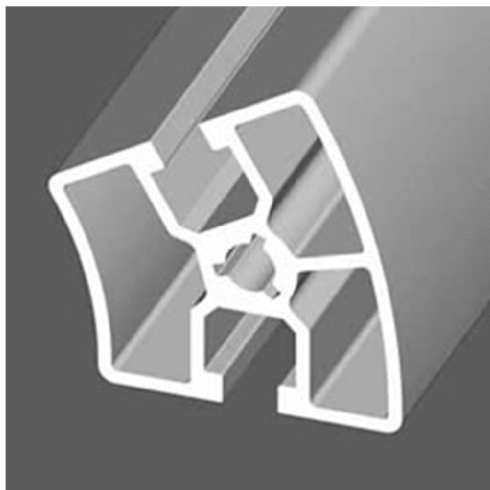
ASSEMBLY

- MiniTec power-lock fastener
- Angles
- Bolt-fastener 20



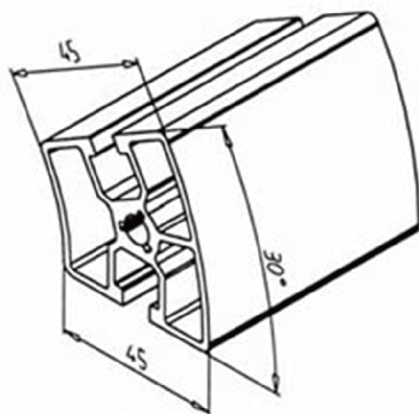
PROFILE 45 R 30°

Part. N° 20.1094



APPLICATIONS

- Angled enclosures
- Angled doors & lids
- Corner posts for barrier guards
- Faster & easier than mitered joints

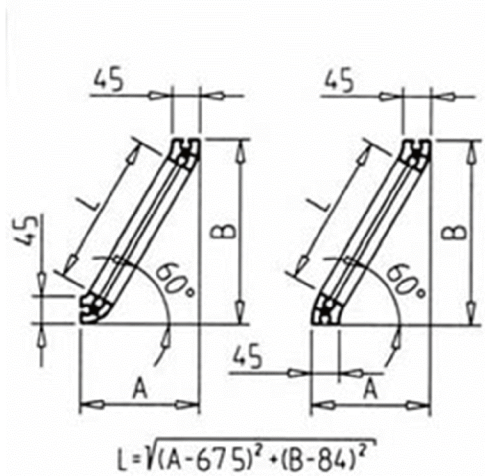


TECHN. DATA / ITEMS SUPPLIED

- lx =	12.138 cm ⁴
- ly =	11.006 cm ⁴
- wx =	4.018 cm ³



- wy =	3.883 cm ³
- Weight	1.626 kg/m
- Order cut to size using	Part # 25.1095
- Full length	6 m
- Packing unit	48 m



ASSEMBLY

- MiniTec power-lock fastener

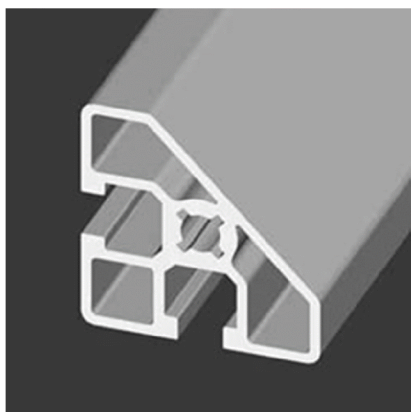
- Angles

- Bolt-fastener 20



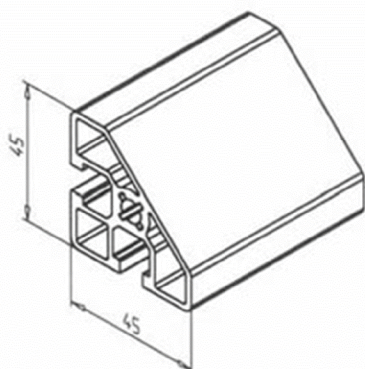
PROFILE 45/45°

Part. N° 20.1029



APPLICATIONS

- Displays & exhibits
- Attractive corner posts for enclosures, displays & machine guards



TECHN. DATA / ITEMS SUPPLIED

- Ix =	8.626 cm ⁴
- Iy =	8.626 cm ⁴
- wx =	3.315 cm ³
- wy =	3.315 cm ³
- Weight	1.533 kg/m
- Order cut to size using Part # 25.1094	
- Full length	6 m
- Packing unit	48 m



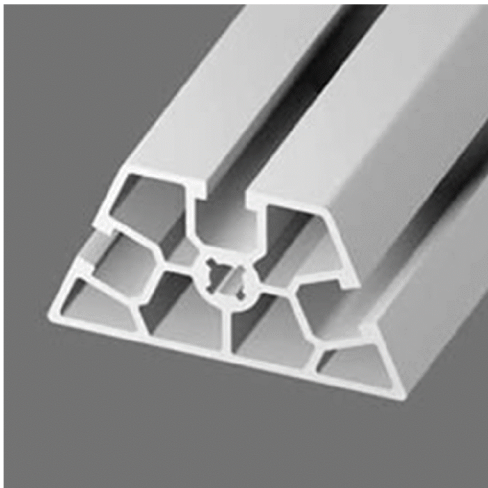
ASSEMBLY

- MiniTec power-lock fastener
- Angle 45 R 90°
- Bolt-fastener 20
- Angle 45/45x90



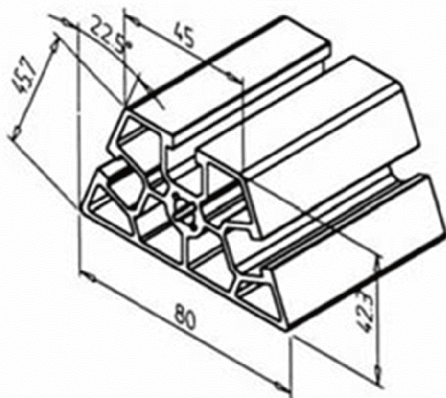
PROFILE 45/22.5°

Part. N° 20.1030



APPLICATIONS

- Machine guards & enclosures with angles
- Corner posts for angled barrier guards
- Faster & easier than mitered joints
- Trade show displays

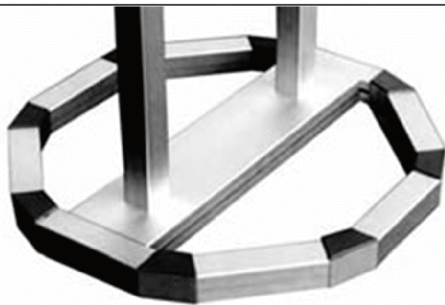


TECHN. DATA / ITEMS SUPPLIED

- Ix =	14.506 cm ⁴
- Iy =	33.432 cm ⁴
- Wx =	7.934 cm ³



- wy =	8.515 cm ³
- Weight	2.225 kg/m
- Order cut to size using <u>Part # 25.1095</u>	
- Full length	6 m
- Packing unit	36 m



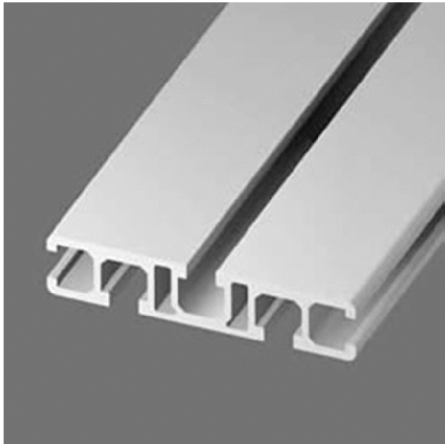
ASSEMBLY

- MiniTec power-lock fastener
- Angles
- Bolt-fastener 20



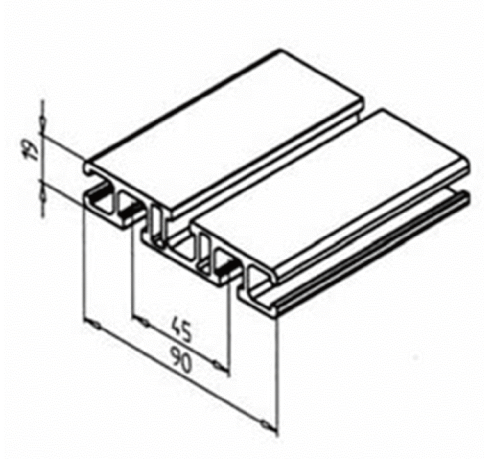
PROFILE 90 X 19

Part. N° 20.1031



APPLICATIONS

- T-Slotted table tops
- Floor mounting plates
- Narrow lightweight t-slots for fixturing



TECHN. DATA / ITEMS SUPPLIED

- Ix =	3.316 cm ⁴
- Iy =	44.948 cm ⁴
- wx =	3.345 cm ³
- wy =	9.988 cm ³
- Weight	1.820 kg/m



- Order cut to size using Part # 25.1095

- Full length 6 m

- Packing unit 48 m



ASSEMBLY

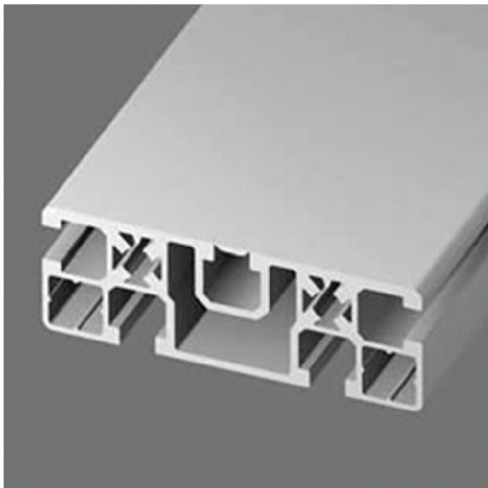
- Angles 19/25/45/45x90/90

- Bolt-fastener 15/20



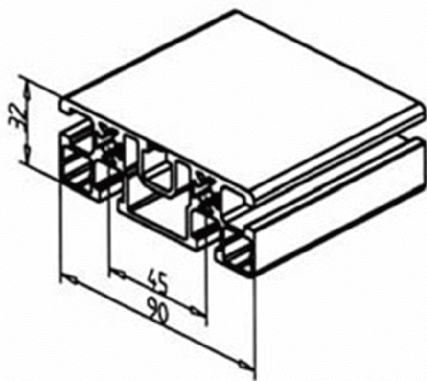
PROFILE 90 X 32

Part. N° 20.1066



APPLICATIONS

- Easily used with 32x32 & 45x32 profiles
- 90mm side matches up with all 45 series profiles



TECHN. DATA / ITEMS SUPPLIED

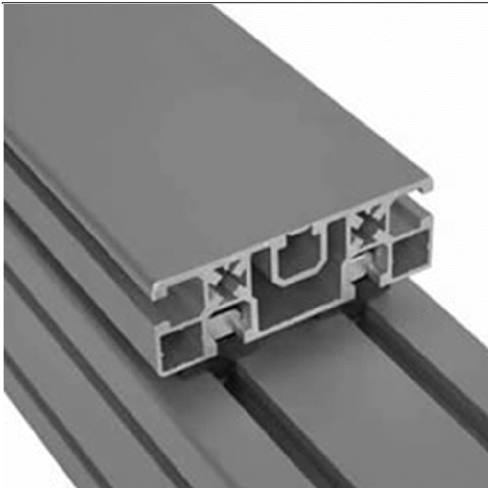
- Ix =	10.627 cm ⁴
- Iy =	64.889 cm ⁴
- wx =	5.832 cm ³
- wy =	14.340 cm ³
- Weight	2.464 kg/m



- Order cut to size using [Part # 25.1095](#)

- Full length 6 m

- Packing unit 36 m



ASSEMBLY

- MiniTec power-lock fastener

- Angles

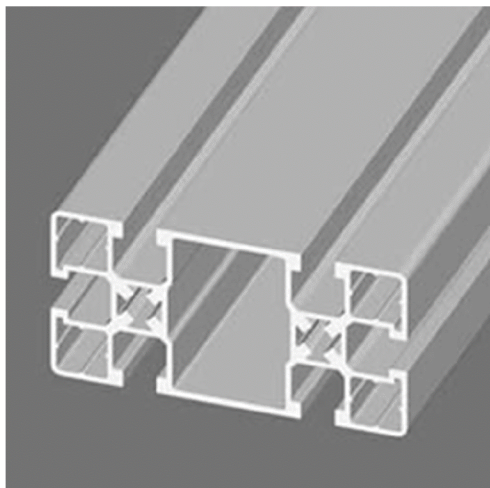
- Bolt-fastener 15/20

- Screw Connection



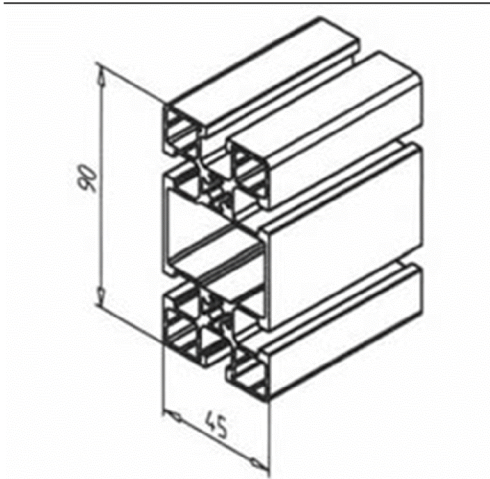
PROFILE 45 X 90 UL

Part. N° 20.1067



APPLICATIONS

- General weight/cost optimized frames
- counterweighed vertical sliding doors



TECHN. DATA / ITEMS SUPPLIED

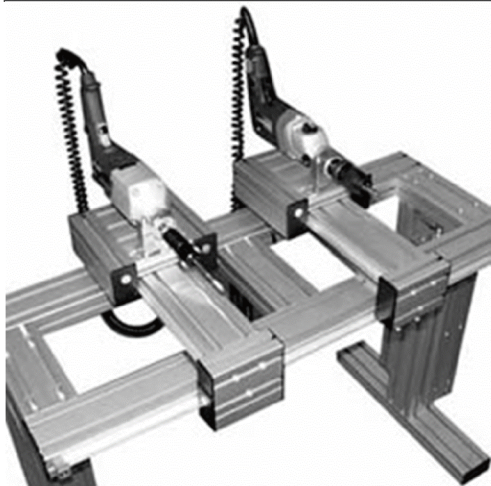
- Ix =	73.921 cm ⁴
- Iy =	19.2 cm ⁴
- wx =	16.427 cm ³
- wy =	8.530 cm ³
- Weight	2.421 kg/m



- Order cut to size using [Part # 25.1095](#)

- Full length 6 m

- Packing unit 24 m



ASSEMBLY

- MiniTec power-lock fastener

- Angle 25/45/45x90/90

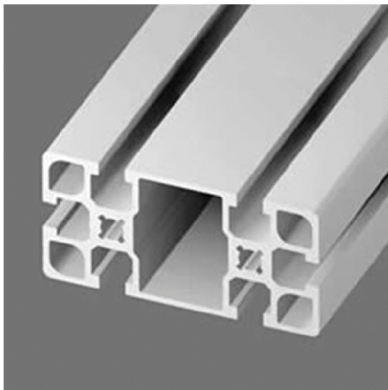
- Bolt-fastener 20

- Screw Connection



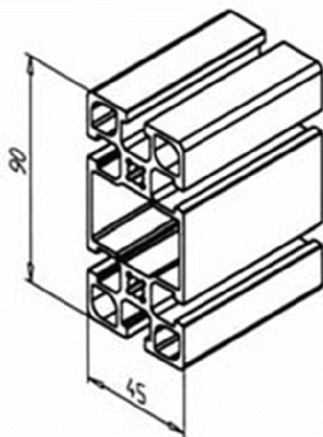
PROFILE 45 X 90 F

Part. N° 20.1032



APPLICATIONS

- Large machine guards
- Medium/heavy duty machine frames & bases
- counterweighted vertical doors

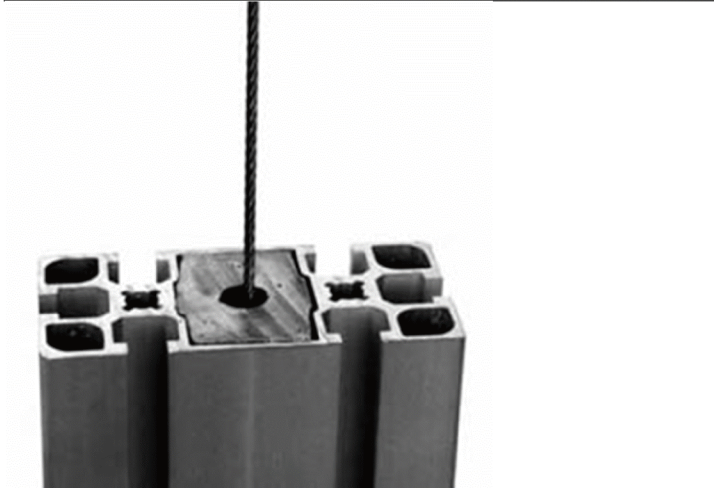


TECHN. DATA / ITEMS SUPPLIED

- Ix =	100.988 cm ⁴
- Iy =	24.340 cm ⁴
- wx =	22.441 cm ³
- wy =	10.818 cm ³
- Weight	3.134 kg/m
- Order cut to size using Part # 25.1095	



- Full length	6 m
- Packing unit	24 m



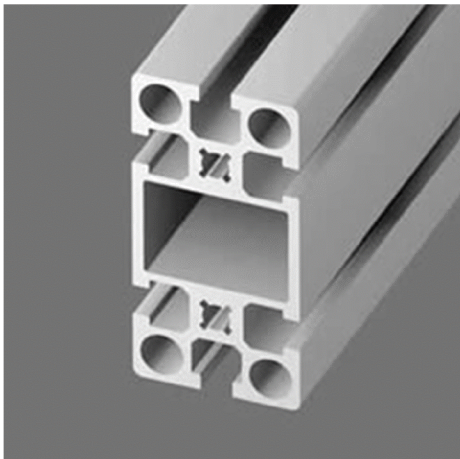
ASSEMBLY

- MiniTec power-lock fastener
- Angle 45/45/90/90
- Bolt-fastener 20
- Screw Connection



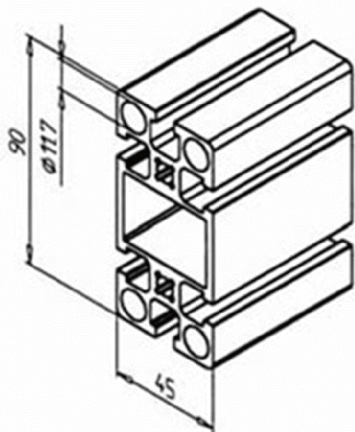
PROFILE 45 X 90

Part. N° 20.1009



APPLICATIONS

- Outer 4 holes ready to tap G1/4 for compressed air fittings
- Center cavity not suitable for counterweights

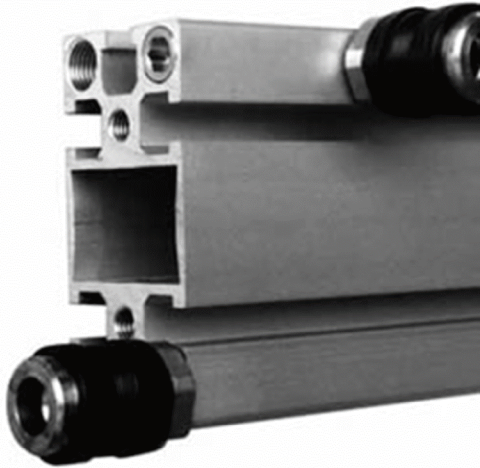


TECHN. DATA / ITEMS SUPPLIED

- Ix =	113.205 cm ⁴
- Iy =	28.584 cm ⁴
- wx =	25.156 cm ³
- wy =	12.704 cm ³
- Weight	3.667 kg/m
- Length	6 m

- Packing unit

24 m



ASSEMBLY

- MiniTec power-lock fastener

- Angle 45/45x90/90

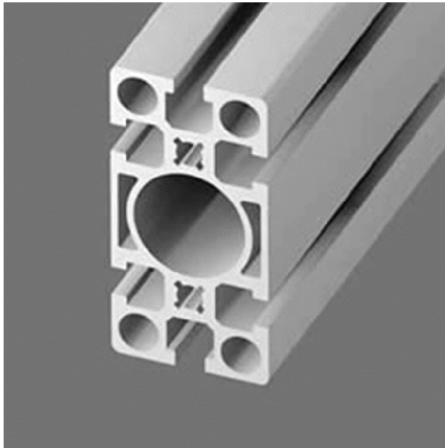
- Bolt-fastener 20

- Screw Connection



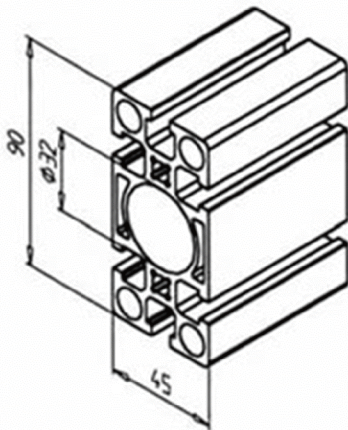
PROFILE 45 X 90 S

Part. N° 20.1017



APPLICATIONS

- 32mm Centerhole for linear system LB
- Use as leg profile for height adjustable tables with hydraulic lifts



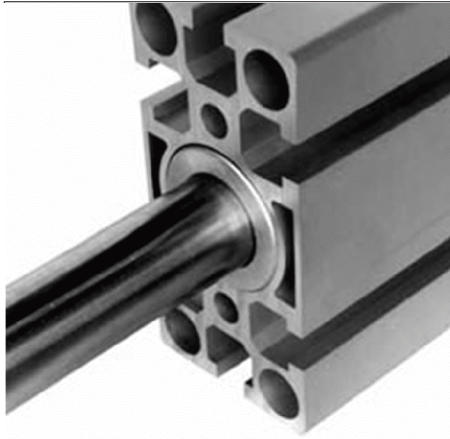
TECHN. DATA / ITEMS SUPPLIED

- Ix =	113.487 cm ⁴
- Iy =	30.719 cm ⁴
- wx =	25.219 cm ³
- wy =	13.653 cm ³
- Weight	3.860 kg/m
- Length	6 m



- Packing unit

24 m



ASSEMBLY

- MiniTec power-lock fastener

- Angles

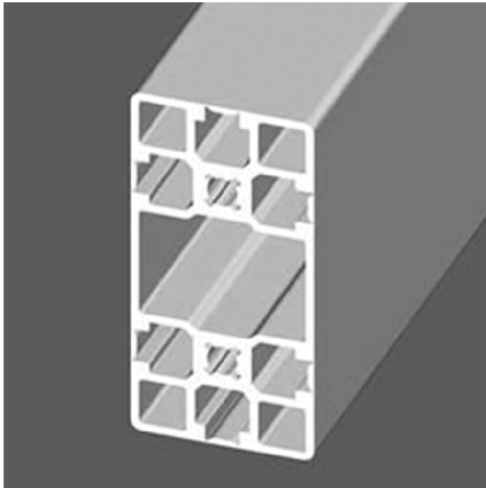
- Bolt-fastener 20

- Screw Connection



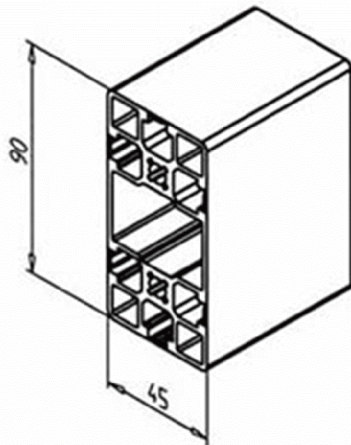
PROFILE 45 X 90 G

Part. N° 20.1015



APPLICATIONS

- Clean room frames and tables
- Easy to clean. No unneeded t-slots to collect dust & dirt
- Tear away t-slots
- Have t-slots where you need them & a smooth extrusion where you don't



TECHN. DATA / ITEMS SUPPLIED

- lx =	101.241 cm ⁴
- ly =	25.318 cm ⁴
- wx =	22.498 cm ³



- wy =	11.252 cm ³
- Weight	3.191 kg/m
- Length	6 m
- Packing unit	24 m



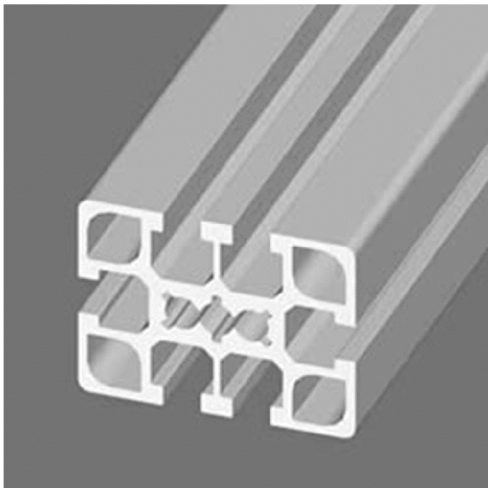
ASSEMBLY

- MiniTec power-lock fastener
- Angles
- Bolt-fastener 20
- Screw Connection



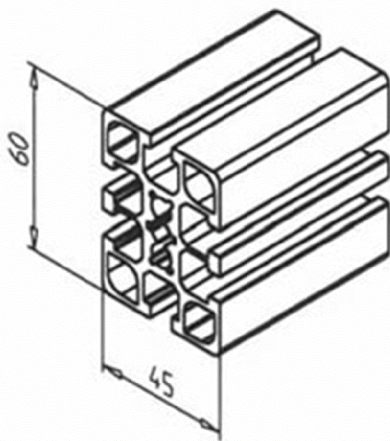
PROFILE 45 X 60 F

Part. N° 20.1023



APPLICATIONS

- Twin walled enclosures
- Use one t-slot for a panel & the other to attach accessories

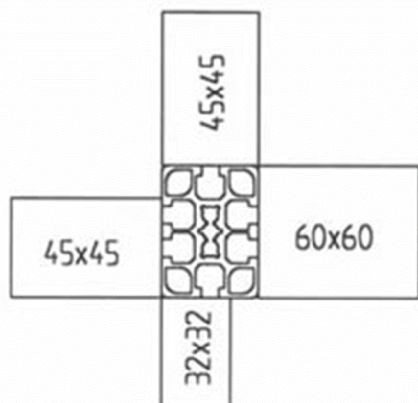


TECHN. DATA / ITEMS SUPPLIED

- Ix =	32.068 cm ⁴
- Iy =	17.587 cm ⁴
- wx =	14.232 cm ³
- wy =	5.856 cm ³
- Weight	2.603 kg/m



- Length	6 m
- Packing unit	24 m



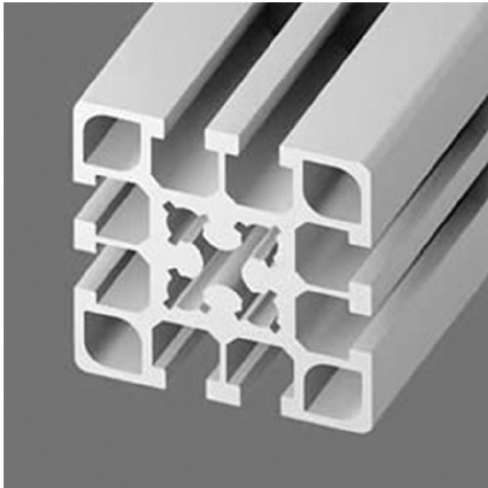
ASSEMBLY

- MiniTec power-lock fastener
- Angles
- Bolt-fastener 20
- Screw Connection



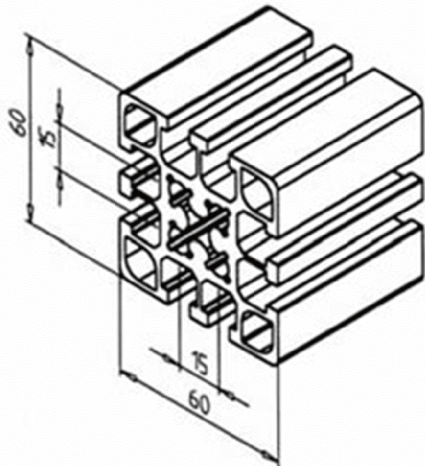
PROFILE 60 X 60

Part. N° 20.1049



APPLICATIONS

- Use with 45x60 & 45x45 profiles
- Put panels in both t-slots for themally insulated enclosures
- Use one t-slot for a panel & the other for attaching hardware

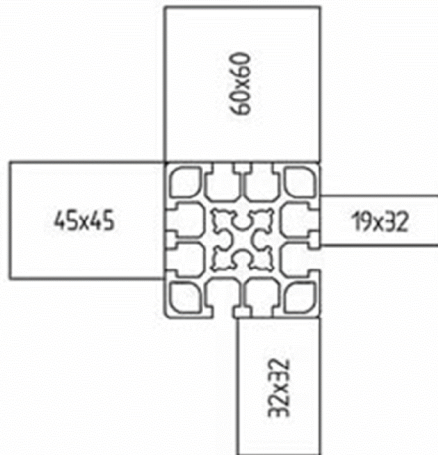


TECHN. DATA / ITEMS SUPPLIED

- Ix =	40.715 cm ⁴
- Iy =	40.715 cm ⁴
- wx =	13.571 cm ³
- wy =	13.571 cm ³



- Weight	3.655 kg/m
- Order cut to size using Part # 25.1096	
- Full length	6 m
- Packing unit	24 m



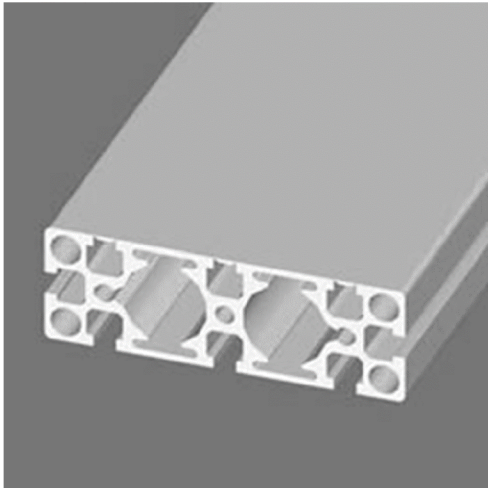
ASSEMBLY

- MiniTec power-lock fastener
- Angles
- Center cavity ready to thread M10x1.5 with a forming tap



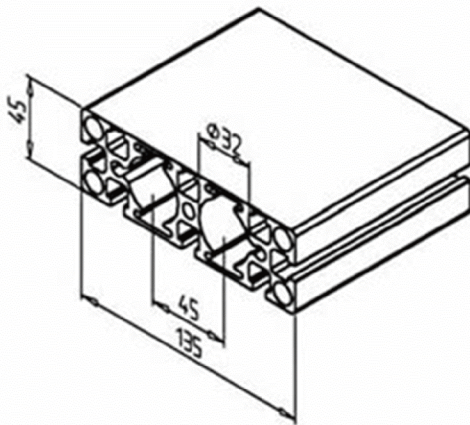
PROFILE 45 X 135 1G

Part. N° 20.1078



APPLICATIONS

- Large clean room frames
- Portable clean room construction
- Use with linear guide LB components
- Tear away t-slots on one side for smooth finished look

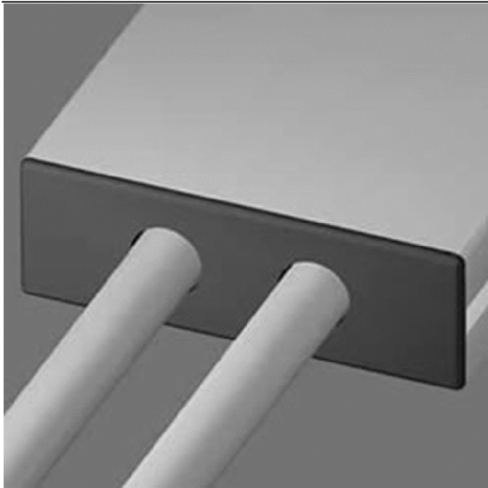


TECHN. DATA / ITEMS SUPPLIED

- Ix =	359.242 cm ⁴
- Iy =	47.064 cm ⁴
- Wx =	20.618 cm ³



- wy =	53.221 cm ³
- Weight	5.57 kg/m
- Order cut to size using Part # 25.1096	
- Full length	6 m
- Packing unit	12 m



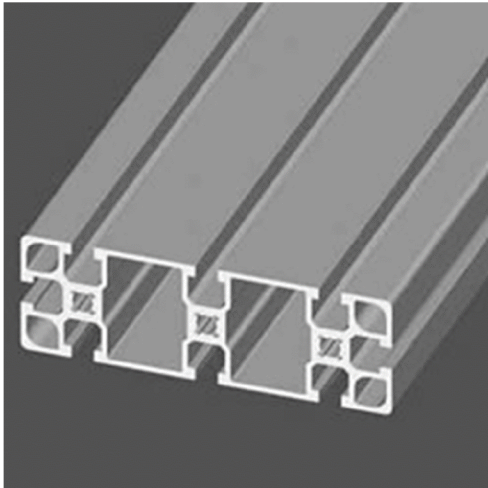
ASSEMBLY

- MiniTec power-lock fastener
- Angles
- fix bushings into 32mm center holes with set screws
- Tap three centerholes with M8x1.25 forming tap



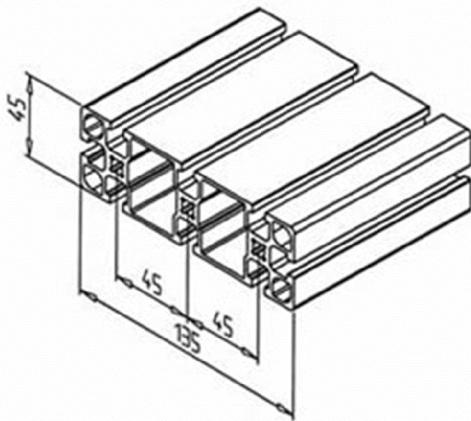
PROFILE 45 X 135 F

Part. N° 20.1087



APPLICATIONS

- Heavy duty modular construction
- Use center cavities for counterweights



TECHN. DATA / ITEMS SUPPLIED

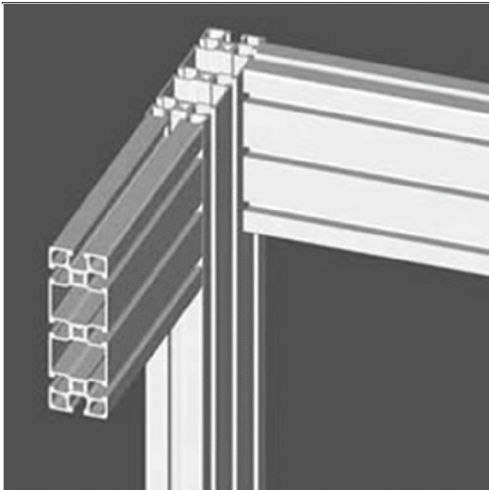
- Ix =	340.958 cm ⁴
- Iy =	34.658 cm ⁴
- wx =	15.537 cm ³
- wy =	45.609 cm ³
- Weight	4.319 kg/m



- Order cut to size using Part # 25.1096

- Full length 6 m

- Packing unit 12 m



ASSEMBLY

- MiniTec power-lock fastener

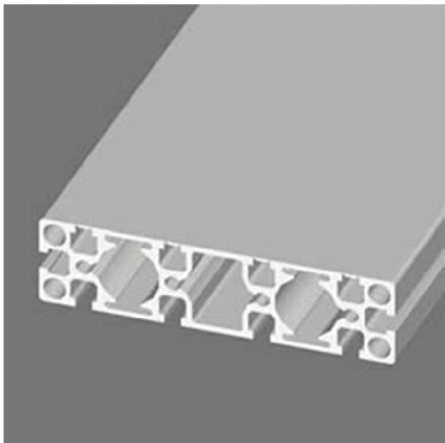
- Angles

- Tap three center holes with M8x1.25 forming tap



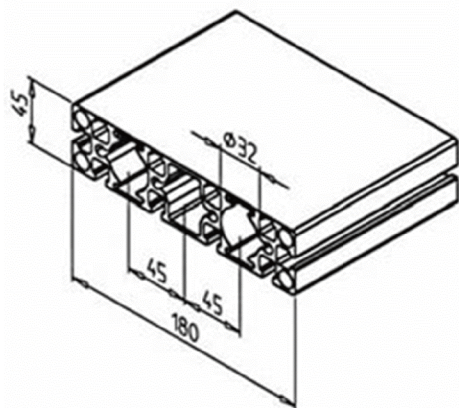
PROFILE 45 X 180 1G

Part. N° 20.1079



APPLICATIONS

- Modular clean room frames
- Beams for portable clean room frames on casters
- Header for trade show display
- 32mm center bore for LB bushings



TECHN. DATA / ITEMS SUPPLIED

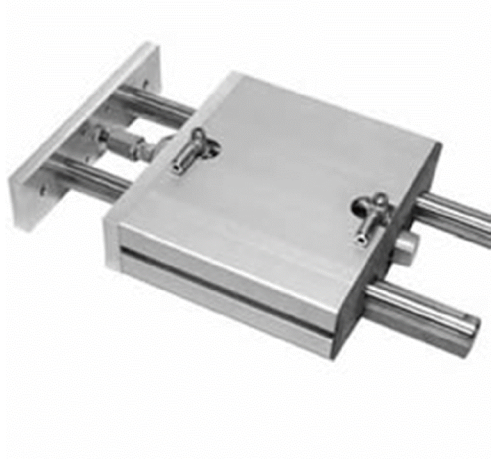
- Ix =	810.885 cm ⁴
- Iy =	61.015 cm ⁴
- wx =	90.097 cm ³
- wy =	26.704 cm ³
- Weight	6.954 kg/m



- Order cut to size using [Part # 25.1096](#)

- Full length 6 m

- Packing unit 12 m



ASSEMBLY

- MiniTec power-lock fastener

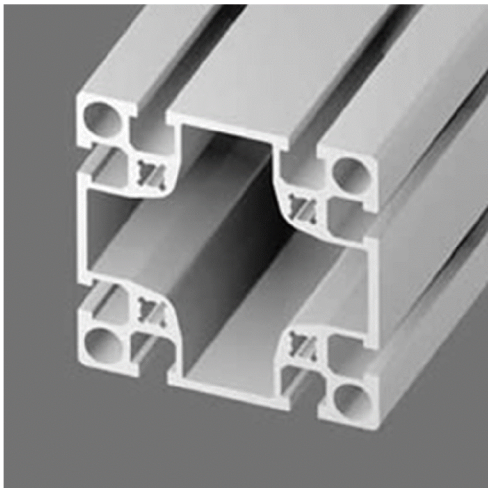
- Remove t-slot cover with tear-off lever 26.0815

- Thread 4 center holes Using M8x1.25 forming tap



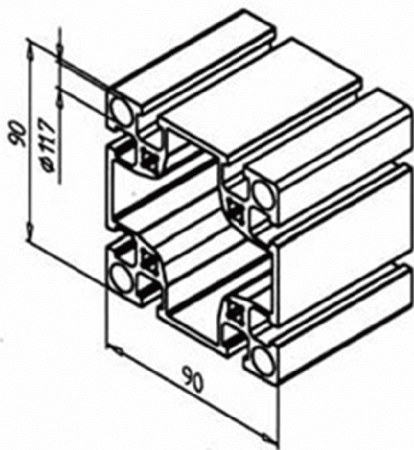
PROFILE 90 X 90 L

Part. N° 20.1010



APPLICATIONS

- General heavy duty modular construction
- Center cavity designed to guide counter weight 90

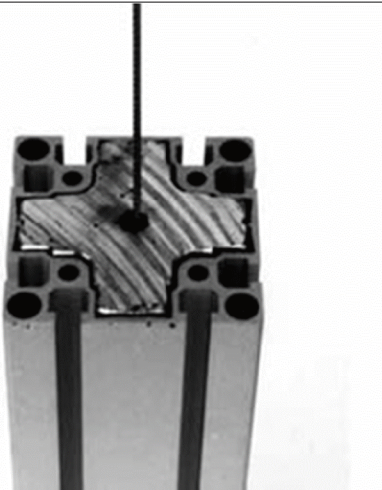


TECHN. DATA / ITEMS SUPPLIED

- Ix =	186.260 cm ⁴
- Iy =	186.260 cm ⁴
- wx =	41.391 cm ³
- wy =	41.391 cm ³
- Weight	5.222 kg/m



- Length	6 m
- Packing unit	12 m



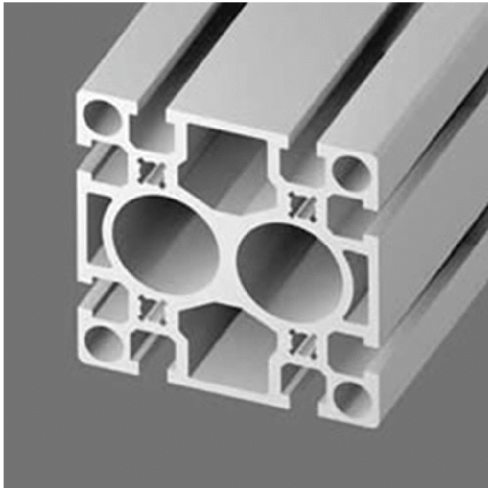
ASSEMBLY

- MiniTec power-lock fastener
- Angle 90 GD
- Four centerholes ready to thread M8x1.25 with a forming tap
- Screw Connection



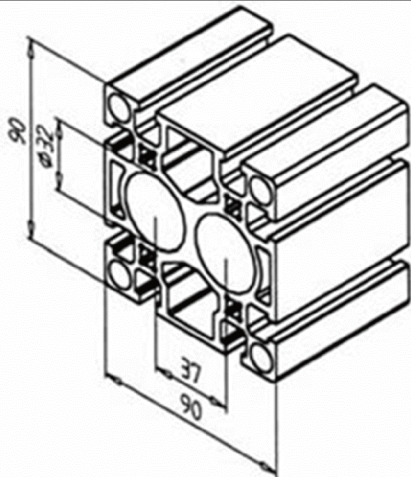
PROFILE 90 X 90 S

Part. N° 20.1019



APPLICATIONS

- Heavy duty construction where high crush strength is required
- 32mm ϕ Centerholes for LB bushings
- Centerhole for hydraulic cylinders



TECHN. DATA / ITEMS SUPPLIED

- Ix =	223.949 cm ⁴
- Iy =	208.888 cm ⁴
- wx =	49.766 cm ³
- wy =	46.419 cm ³



- Weight	7.514 kg/m
- Length	6 m
- Packing unit	12 m



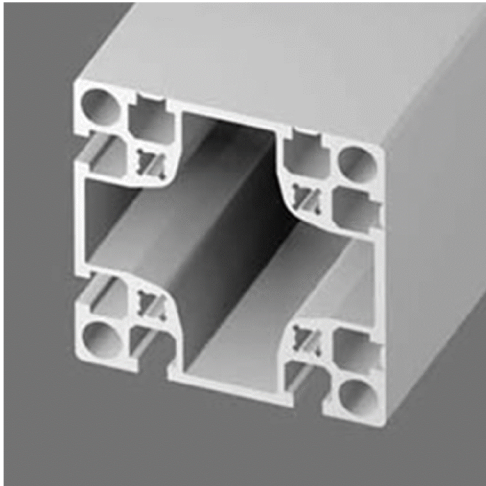
ASSEMBLY

- MiniTec power-lock fastener
- Angle 90 GD
- Four 7.4mm ø centerholes ready to thread with M8x1.25 forming tap



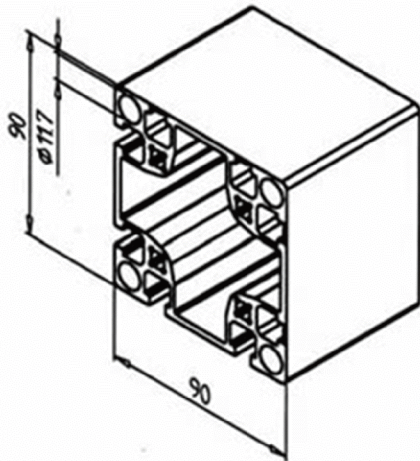
PROFILE 90 X 90 2G

Part. N° 20.1044



APPLICATIONS

- T-Slots covers can be torn off
- Clean room & wash down environments
- Trade show displays
- Center cavity designed for use with counterweight 90

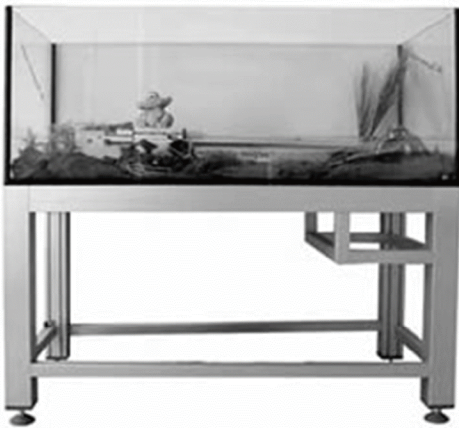


TECHN. DATA / ITEMS SUPPLIED

- lx =	191.320 cm ⁴
- ly =	191.324 cm ⁴
- wx =	42.083 cm ³



- wy =	42.084 cm ³
- Weight	5.623 kg/m
- Order cut to size using Part # 25.1096	
- Full length	6 m
- Packing unit	12 m



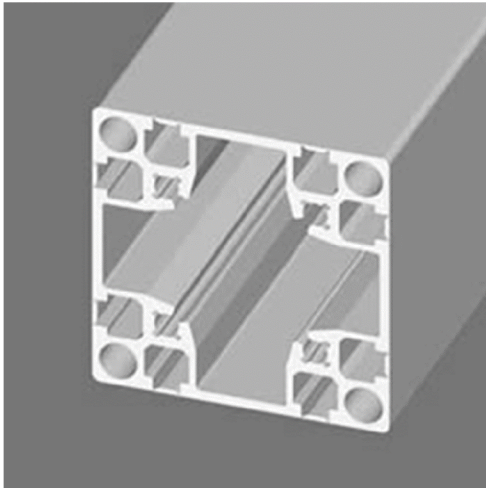
ASSEMBLY

- MiniTec power-lock fastener
- Angle 90 GD
- Remove T-Slots with tear off lever 26.0815



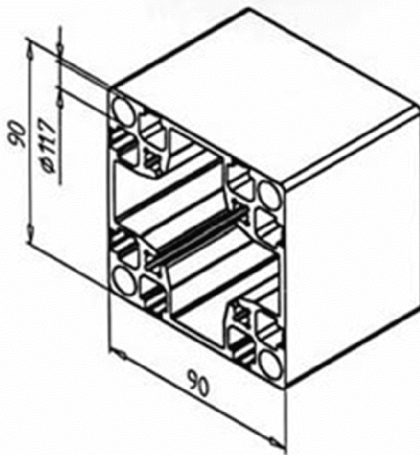
PROFILE 90 x 90 G

Part. N° 20.1082



APPLICATIONS

- Covered T-slots may be torn out
- Clean rooms and wash down environments
- Trade show displays
- Anywhere open t-slots present a problem



TECHN. DATA / ITEMS SUPPLIED

- Ix =	195.271 cm ⁴
- Iy =	195.271 cm ⁴
- Wx =	43.393 cm ³



- wy =	43.393 cm ³
- Weight	5.329 kg/m
- Order cut to size using Part # 25.1096	
- Full length	6 m
- Packing unit	12 m



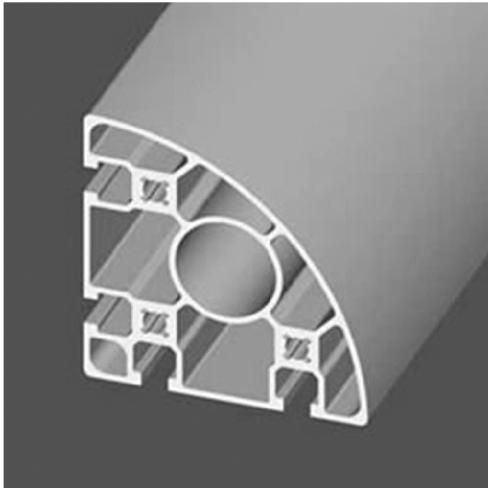
ASSEMBLY

- MiniTec power-lock fastener
- Angle 90 GD
- Remove T-Slots with tear off lever 26.0815



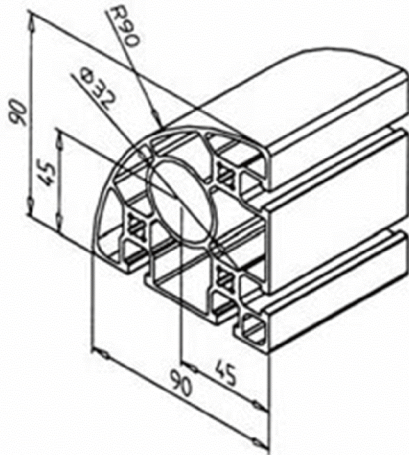
PROFILE 90 R 90°

Part. N° 20.1091



APPLICATIONS

- Corner posts for large constructions
- Use with 90x90 G and 90 x90 2G
- Heavy duty table legs

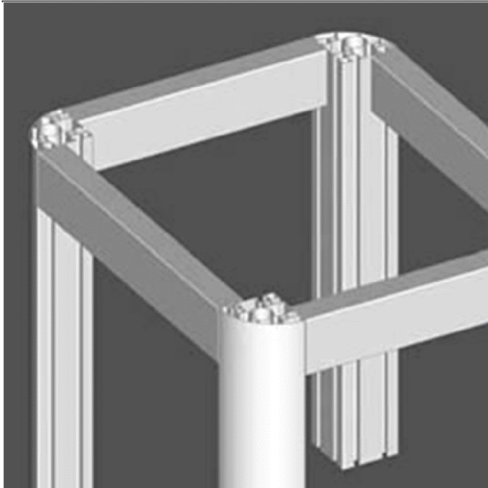


TECHN. DATA / ITEMS SUPPLIED

- Ix =	113.389 cm ⁴
- Iy =	113.389 cm ⁴
- wx =	21.874 cm ³
- wy =	21.874 cm ³



- Weight	4.265 kg/m
- Order cut to size using <u>Part # 25.1096</u>	
- Full length	6 m
- Packing unit	12 m



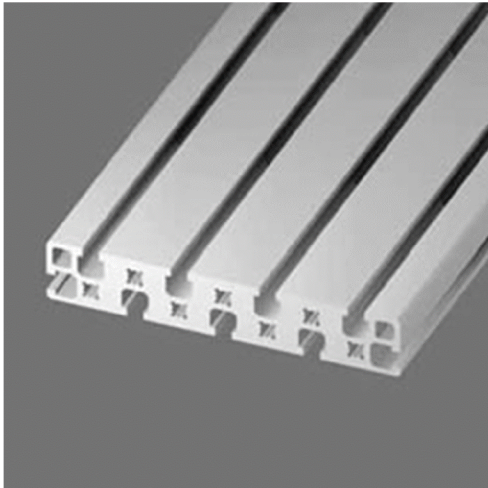
ASSEMBLY

- MiniTec power-lock fastener
- Angle 90 GD



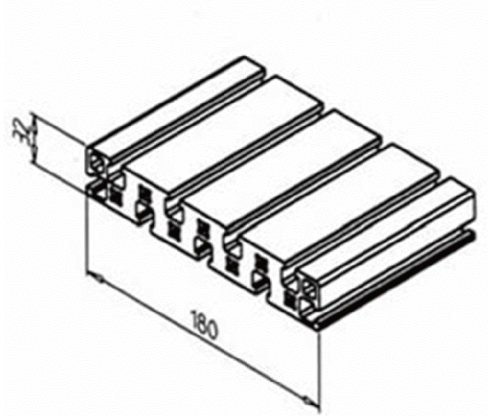
PROFILE 32 X 180

Part. N° 20.1016



APPLICATIONS

- Top for T-Slotted Tables
- Surface for jigs & fixtures
- Heavy duty construction
- Slides for MiniTec Linear System LR



TECHN. DATA / ITEMS SUPPLIED

- Ix =	33.804 cm ⁴
- Iy =	843.825 cm ⁴
- Wx =	21.068 cm ³



- wy =	93.758 cm ³
- Weight	9.539 kg/m
- Length	6 m
- Packing unit	6 m

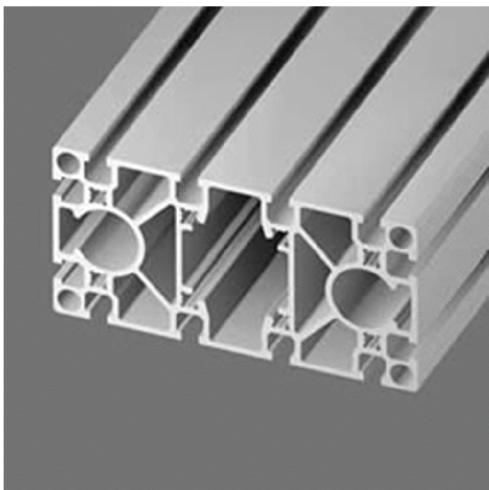
ASSEMBLY

- MiniTec power-lock fastener
- Angles
- Thread centerholes with M8 forming tap 26.1082



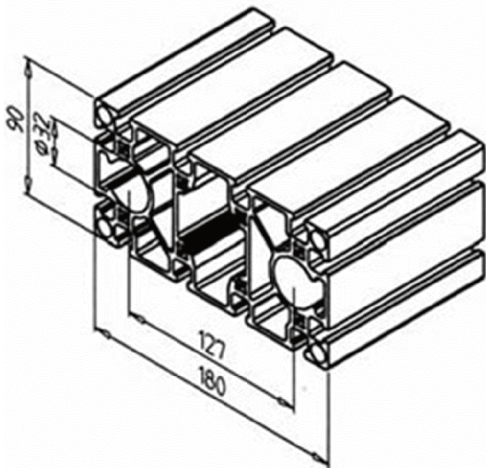
PROFILE 90 X 180 S

Part. N° 20.1013



APPLICATIONS

- Heavy duty t-slot construction
- Use 32mm centerholes to fix LB 20mm ball bushings



TECHN. DATA / ITEMS SUPPLIED

- Ix =	1421.865 cm ⁴
- Iy =	376.784 cm ⁴
- wx =	157.983 cm ³
- wy =	83.729 cm ³
- Weight	11.482 kg/m



- Length	6 m
- Packing unit	6 m



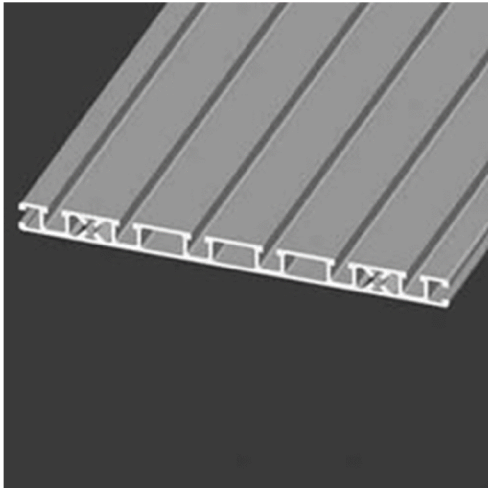
ASSEMBLY

- MiniTec power-lock fastener
- Angle 90 GD
- Thread centerholes with M8 forming tap 26.1082



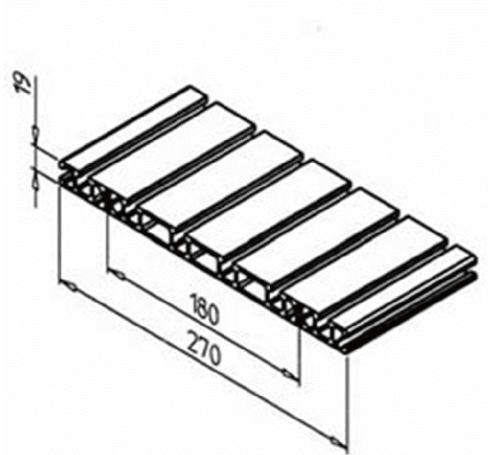
PROFILE 270 X 19

Part. N° 20.1077



APPLICATIONS

- T-slotted table tops
- Jigs & fixturing
- Workstations
- T-slotted shelves

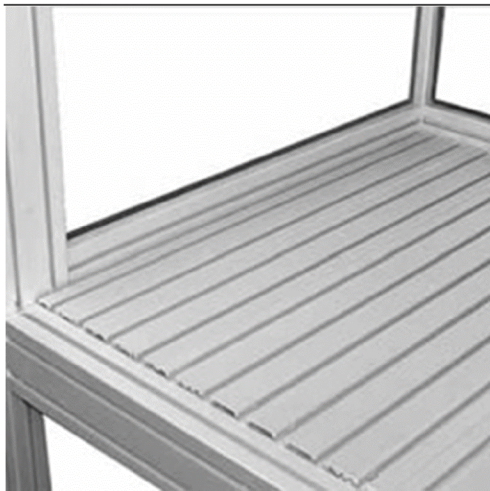


TECHN. DATA / ITEMS SUPPLIED

- Ix =	10.348 cm ⁴
- Iy =	1352.197 cm ⁴
- Wx =	10.167 cm ³



- wy =	100.162 cm ³
- Weight	5.612 kg/m
- Order cut to size using Part # 25.1096	
- Full length	6 m
- Packing unit	18 m



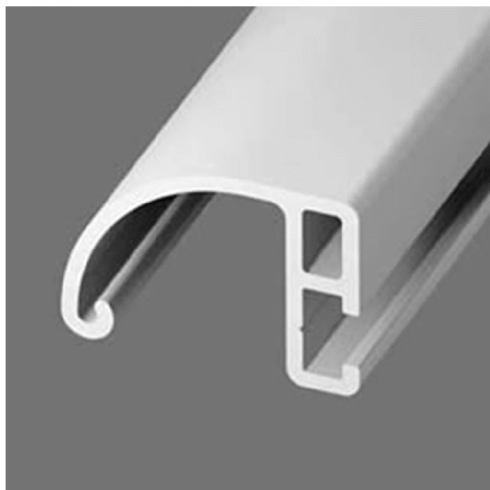
ASSEMBLY

- MiniTec power-lock fastener
- Counter bore with screw connection
- Bolt-fastener 15 & 20
- Angles
- Tap center holes with M8x1.25 forming tap 26.1082



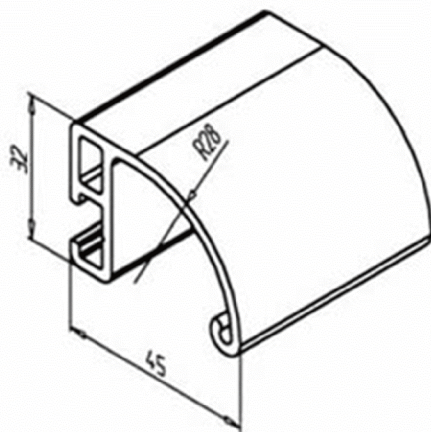
Handle Profile

Part. N° 20.1045



APPLICATIONS

- Handles of different lengths
- Attractive trim for edges
- Table edges
- Heavy duty cable cover

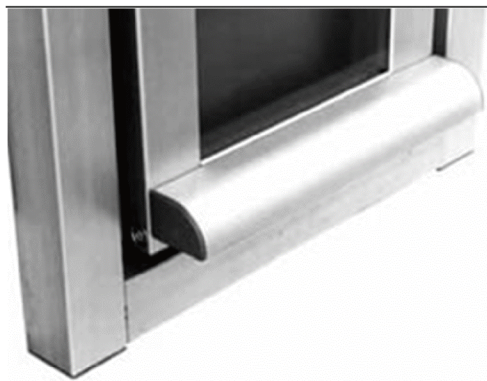


TECHN. DATA / ITEMS SUPPLIED

- lx =	3.531 cm ⁴
- ly =	7.654 cm ⁴
- wx =	1.985 cm ³



- wy =	2.856 cm ³
- Weight	.890 kg/m
- Order cut to size using Part # 25.1094	
- Full length	6 m
- Packing unit	60 m



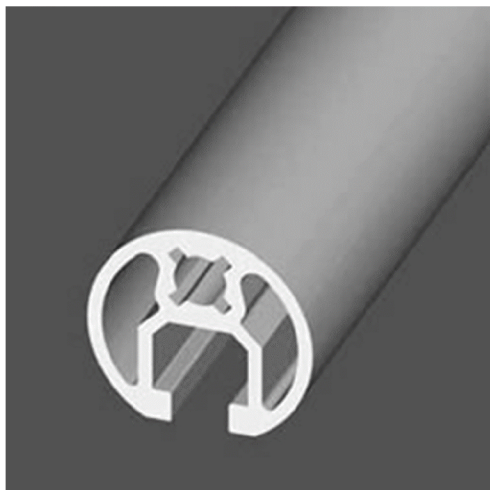
ASSEMBLY

- Screw connection
- Angle 19
- End cap left 22.1055
- End cap right 22.1054



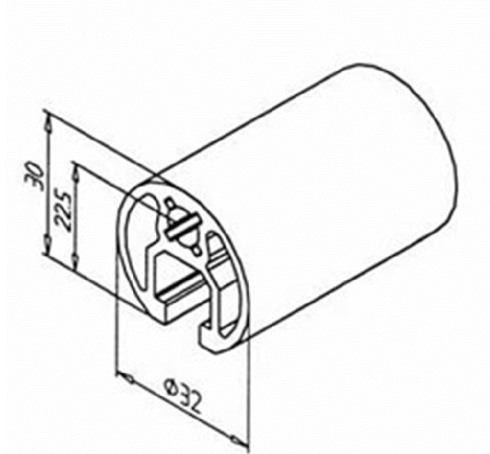
Handle Profile 32

Part. N° 20.1088



APPLICATIONS

- Handles of different lengths for doors & drawers
- Hand Rails



TECHN. DATA / ITEMS SUPPLIED

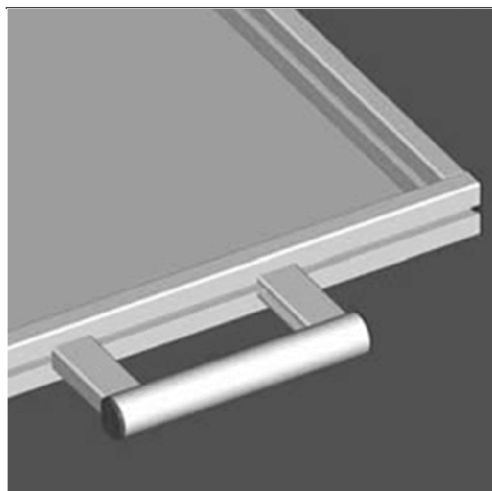
- Ix =	2.601 cm ⁴
- Iy =	2.636 cm ⁴
- wx =	1.682 cm ³
- wy =	.911 cm ³
- Weight	1.101 kg/m



- Order cut to size using Part # 25.1094

- Full length 6 m

- Packing unit 84 m



ASSEMBLY

- MiniTec power-lock fastener

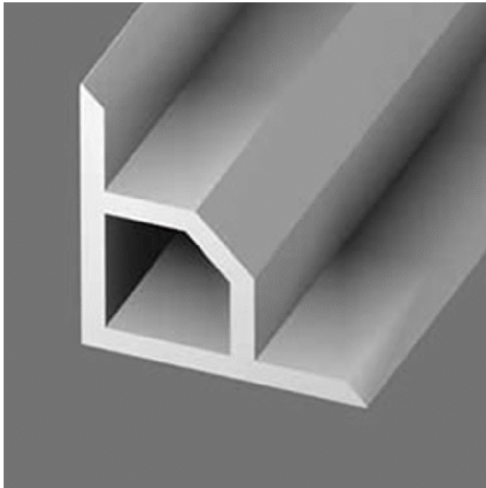
- Angle 19

- Tap center hole using M8x1.25 forming tap 26.1082



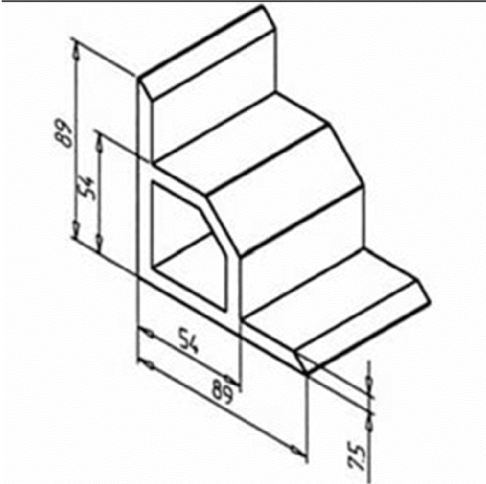
Angular Profile 89 X 89

Part. N° 20.1011



APPLICATIONS

- Custom gussets & angles
- Consoles



TECHN. DATA / ITEMS SUPPLIED

- Ix =	105.416 cm ⁴
- Iy =	105.416 cm ⁴
- wx =	17.413 cm ³
- wy =	17.413 cm ³
- Weight	4.868 kg/m



- Length	6 m
- Packing unit	72 m



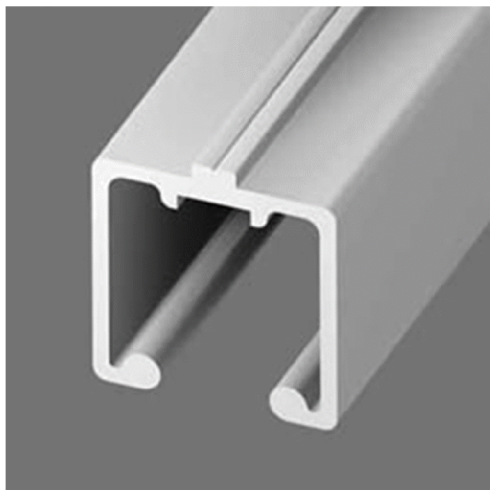
ASSEMBLY

- Mount using M8x20 Screws 21.1202
- M8 square nuts 21.1351
- Or M8 square nuts with position fixing 21.1351/2



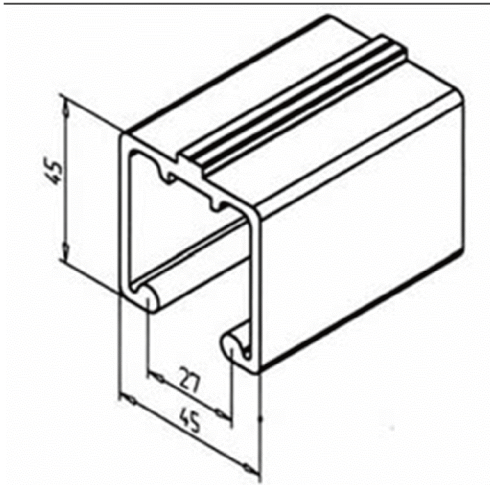
Sliding Door Profile

Part. N° 20.1038



APPLICATIONS

- Double sliding doors

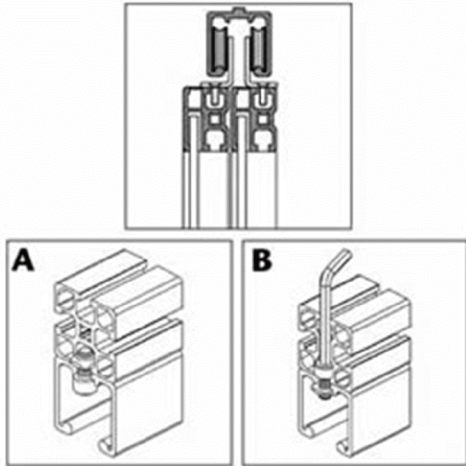


TECHN. DATA / ITEMS SUPPLIED

- Ix =	15.347 cm ⁴
- Iy =	15.597 cm ⁴
- wx =	5.912 cm ³
- wy =	6.932 cm ³
- Weight	1.474 kg/m
- Order cut to size using Part # 25.1094	



- Full length	5 m
- Packing unit	40 m



ASSEMBLY

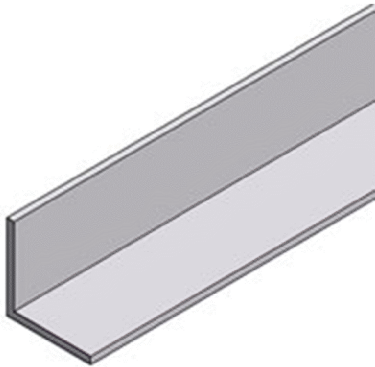
-
- Drill 8mm holes in center 250 -400mm apart depending on load
 - Attach to profile using M8 Screws & Nuts
-



EL
News

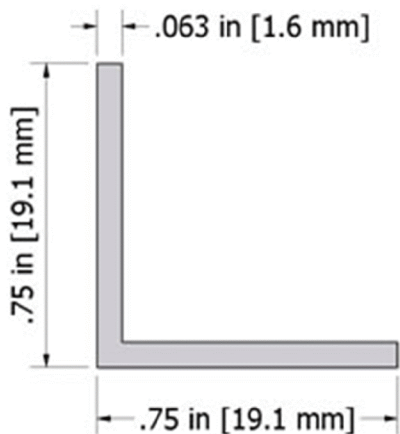
Electrolux
Macedonia
Palenzo

Aluminum Angle 3/4 x 3/4 Part. N° 20.9003



APPLICATIONS

- Lip for removable panels
- Door jambs
- Lip for lift off lid



TECHN. DATA / ITEMS SUPPLIED

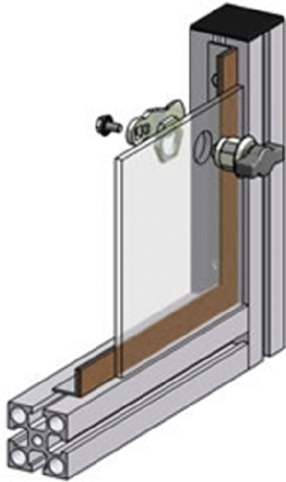
- Aluminum angle
- Satin clear anodize
- Order cut to size under part # 25.1082

Electrolux Macedonia
Bitola/Europe
+389(0)47 203 330

www.electrolux.mk www.elektroluks.mk www.elektroluks.eu
electrolux@t-home.mk elektroluks@t-home.mk



-
- Max length 12 ft
 - Weight - .11 lbs/ft
-



ASSEMBLY

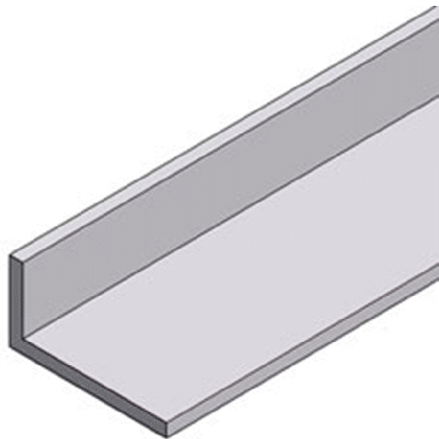
-
- Drill & countersink for M4 flathead.
 - Fasten to t-slots using M4x16 countersunk screw 21.1501 & M4 square nut 21.1310
-



Aluminum Angle

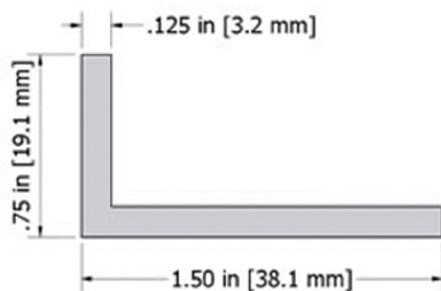
3/4 x 1-1/2

Part. N° 20.9004



APPLICATIONS

- Lip for removable panels
- Door jambs
- Custom brackets
- Lip for lift off lid



TECHN. DATA / ITEMS SUPPLIED

- Aluminum angle
- Satin clear anodize



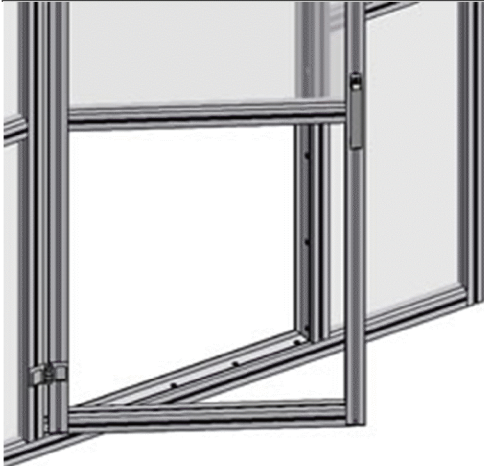
www.electrolux.mk www.elektroluks.mk www.elektroluks.eu
electrolux@t-home.mk elektroluks@t-home.mk



- Order cut to size under [part # 25.1094](#)

- Max length 12 ft

- Weight - .31 lbs/ft



ASSEMBLY

- Drill & countersink for M6 flathead.

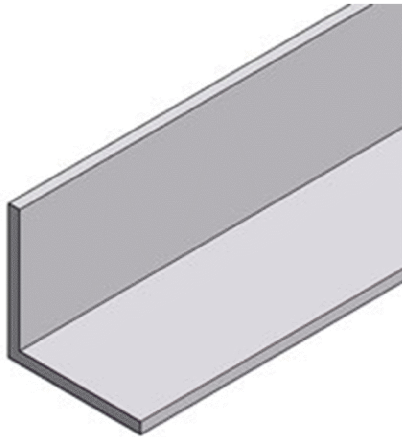
- Fasten to t-slots using [M6x16 countersunk screw 21.1506](#) & [M6 square nut 21.1330](#)



Aluminum Angle

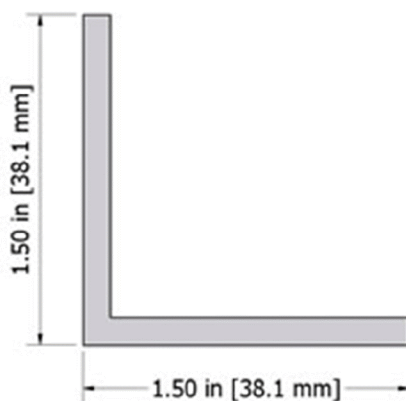
1-1/2 x 1-1/2

Part. N° 20.9005



APPLICATIONS

- Lip for removable panels
- Door jambs
- Custom brackets
- Lip for lift off lid



TECHN. DATA / ITEMS SUPPLIED

- Aluminum angle
- Satin clear anodize



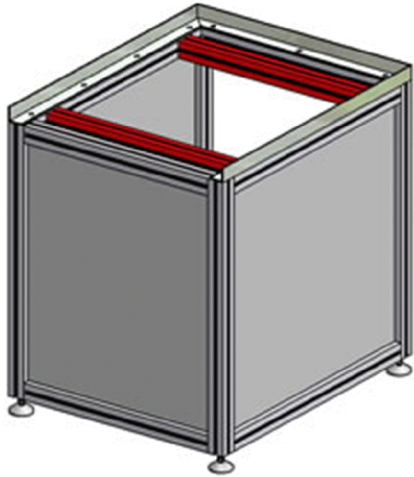
www.electrolux.mk www.elektroluks.mk www.elektroluks.eu
electrolux@t-home.mk elektroluks@t-home.mk



- Order cut to size under part # 25.1094

- Max length 12 ft

- Weight - .422 lbs/ft



ASSEMBLY

- Drill & countersink for M6 flathead.

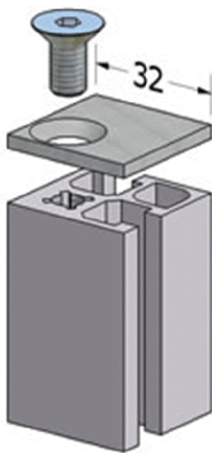
- Fasten to t-slots using M6x16 countersunk screw 21.1506 & M6 square nut 21.1330



Aluminum Bar Stock

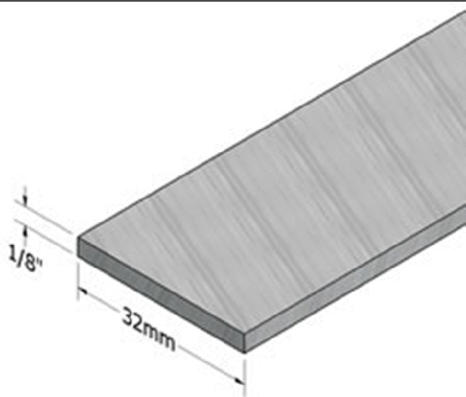
1/8" x 32mm

Part. N° 20.9100



APPLICATIONS

- Custom end caps for 32 series profiles
- Custom attachment brackets & attachment plates
- For other sizes & shapes have your plates made using 1/8" sheet, Part # 21.9523



TECHN. DATA / ITEMS SUPPLIED

- 3003 H14 Aluminum mill finish



www.electrolux.mk www.elektroluks.mk www.elektroluks.eu
electrolux@t-home.mk elektroluks@t-home.mk



- 1/8" thick

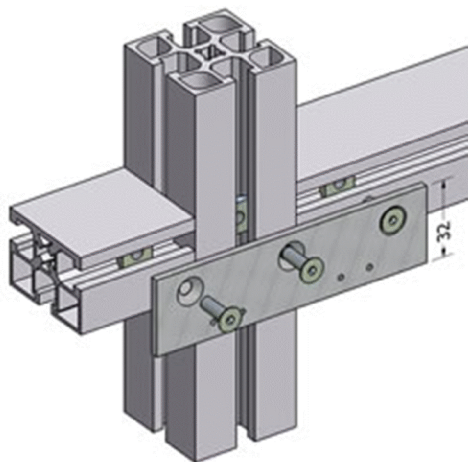
- 32mm wide

- Order cut to size using [Part # 25.1082](#)

- CNC machining services available.
E-mail prints to: sales@minitecframing.com

- Max Length - 8 Feet

- Weight - kg



ASSEMBLY

- Fasten to t-slots using [M5x16 Countersunk screws 21.1503](#) & [M5 Square Nuts With Position Fixing 21.1320/2](#)

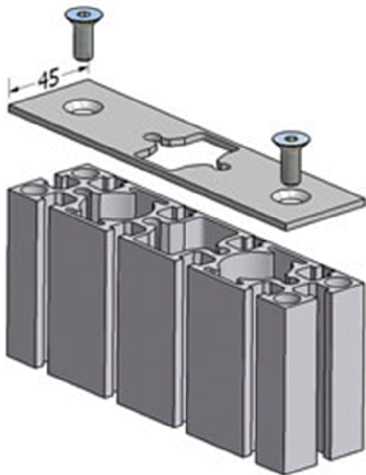
- Fasten to profile end using [M8x16 Countersunk Screw, Part # 21.1513](#) (*Note profile end will need to be tapped & chamfered for head clearance*)



Aluminum Bar Stock

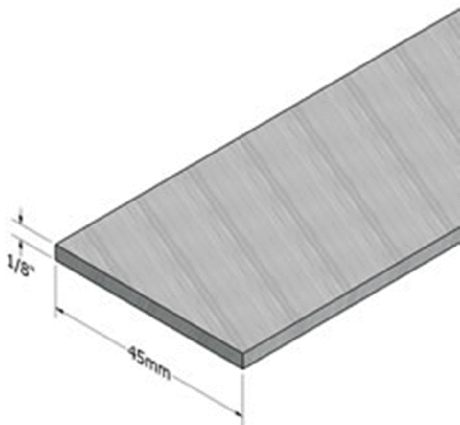
1/8" x 45mm

Part. N° 20.9101



APPLICATIONS

- Custom end caps for 45 series profiles
- Custom attachment brackets & attachment plates
- For other sizes & shapes have your plates made using 1/8" sheet, Part # 21.9523



TECHN. DATA / ITEMS SUPPLIED

- 3003 H14 Aluminum mill finish



Electrolux Macedonia
Bitola/Europe
+389(0)47 203 330

www.electrolux.mk www.elektroluks.mk www.elektroluks.eu
electrolux@t-home.mk elektroluks@t-home.mk



- 1/8" thick

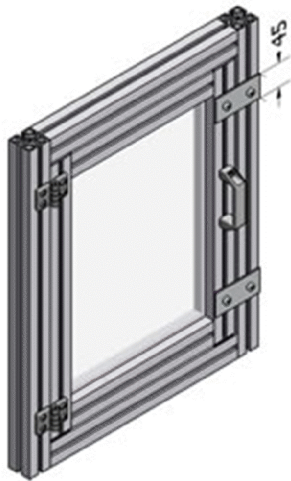
- 45mm wide

- Order cut to size using [Part # 25.1082](#)

- CNC machining services available.
E-mail prints to: sales@minitecframing.com

- Max Length - 8 Feet

- Weight - kg



ASSEMBLY

- Fasten to t-slots using [M5x16 Countersunk screws 21.1503](#) & [M5 Square Nuts With Position Fixing 21.1320/2](#)

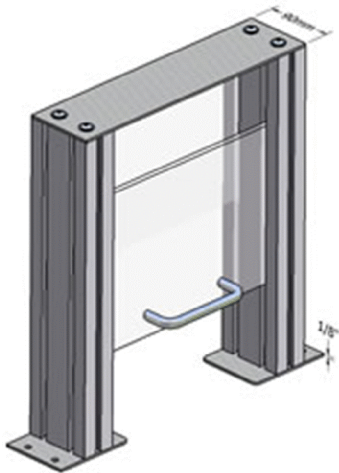
- Fasten to profile end using [M8x16 Countersunk Screw, Part # 21.1513](#) (*Note profile end will need to be tapped & chamfered for head clearance*)



Aluminum Bar Stock

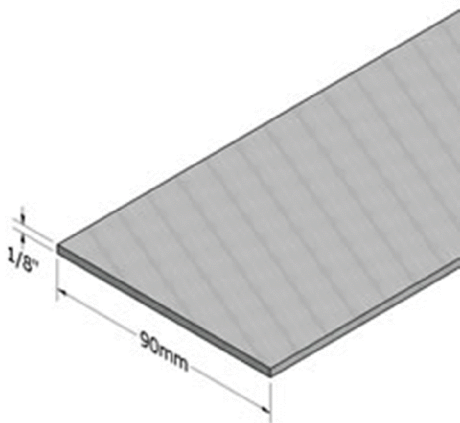
1/8" x 90mm

Part. N° 20.9102



APPLICATIONS

- Custom end caps for 90 series profiles
- Custom attachment brackets & attachment plates
- For other sizes & shapes have your plates made using 1/8" sheet, Part # 21.9523



TECHN. DATA / ITEMS SUPPLIED

- 3003 H14 Aluminum mill finish



Electrolux Macedonia
Bitola/Europe
+389(0)47 203 330

www.electrolux.mk www.elektroluks.mk www.elektroluks.eu
electrolux@t-home.mk elektroluks@t-home.mk



- 1/8" thick

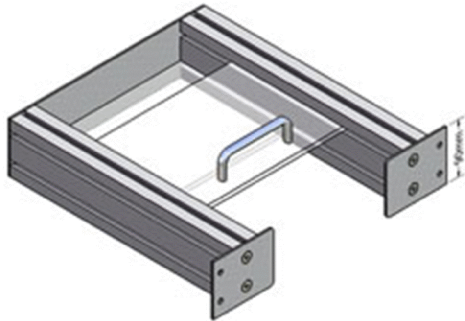
- 90mm wide

- Order cut to size using [Part # 25.1094](#)

- CNC machining services available.
E-mail prints to: sales@minitecframing.com

- Max Length - 8 Feet

- Weight - kg



ASSEMBLY

- Fasten to t-slots using [M5x16 Countersunk screws 21.1503](#) & [M5 Square Nuts With Position Fixing 21.1320/2](#)

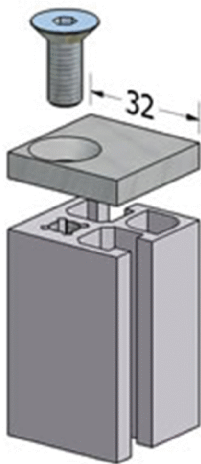
- Fasten to profile end using [M8x16 Countersunk Screw, Part # 21.1513](#) (*Note profile end will need to be tapped & chamfered for head clearance*)



Aluminum Bar Stock

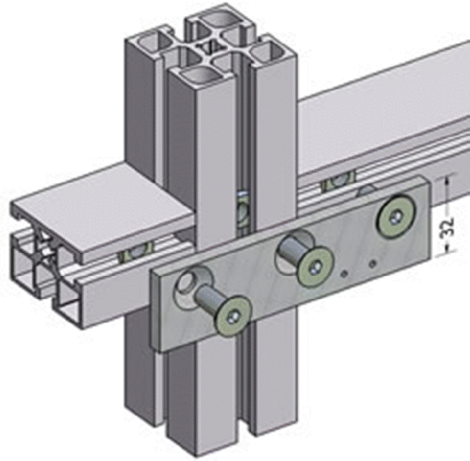
1/4" x 32mm

Part. N° 20.9110



APPLICATIONS

- Custom end caps for 32 series profiles
- Custom attachment brackets & attachment plates
- For other sizes & shapes have your plates made using 1/4" sheet, Part # 21.9525



ASSEMBLY

- Fasten to t-slots using [M8x20 Countersunk screws 21.1514](#) & [M8 Square Nuts With Position Fixing 21.1351/2](#)

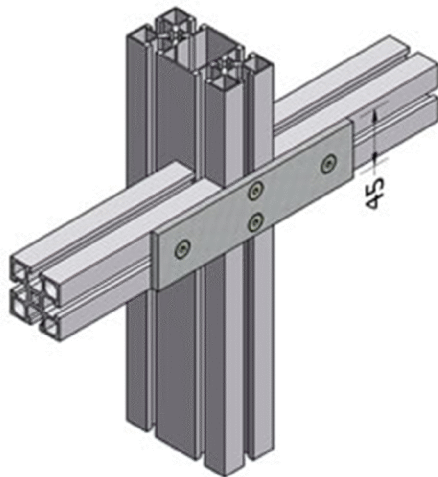
- Fasten to profile end using [M8x20 Countersunk Screw, Part # 21.1514](#) (*Note profile end needs to be tapped M8*)



Aluminum Bar Stock

1/4" x 45mm

Part. N° 20.9111



APPLICATIONS

- Custom end caps for 45 series profiles
- Custom attachment brackets & attachment plates
- For other sizes & shapes have your plates made using 1/4" sheet, Part # 21.9525



ASSEMBLY

- Fasten to t-slots using M8x20 Countersunk screws 21.1514 & M8 Square Nuts With Position Fixing 21.1351/2

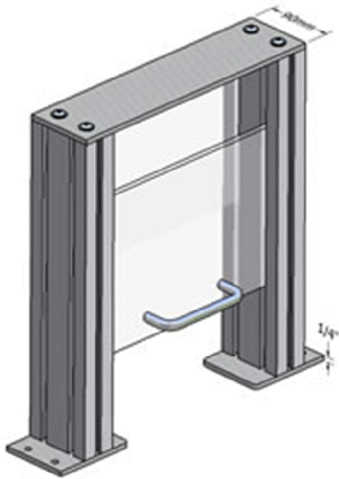
- Fasten to profile end using M8x20 Countersunk Screw, Part # 21.1514 (*Note profile end needs to be tapped M8*)



Aluminum Bar Stock

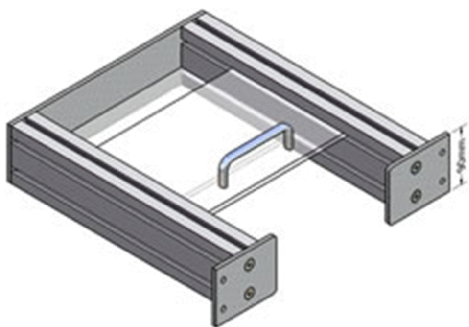
1/4" x 90mm

Part. N° 20.91112



APPLICATIONS

- Custom end caps for 90 series profiles
- Custom attachment brackets & attachment plates
- For other sizes & shapes have your plates made using 1/4" sheet, Part # 21.9525



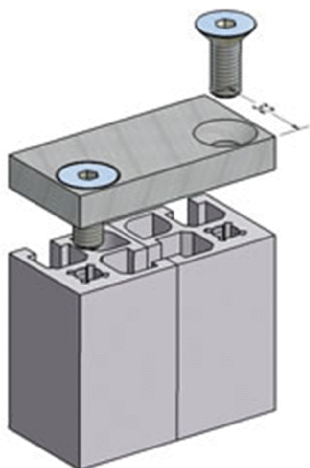
ASSEMBLY

- Fasten to t-slots using M8x20 Countersunk screws 21.1514 & M8 Square Nuts With Position Fixing 21.1351/2

- Fasten to profile end using M8x20 Countersunk Screw, Part # 21.1514 (*Note profile end needs to be tapped M8*)

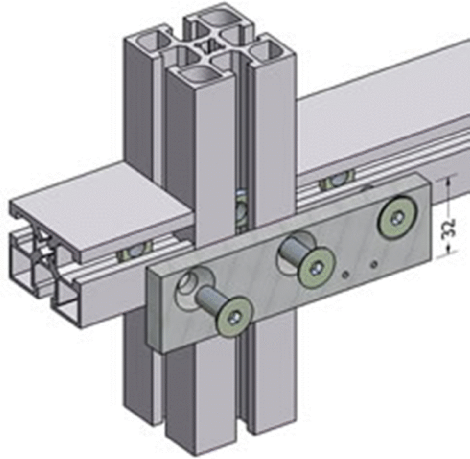


Aluminum Bar Stock 3/8" x 32mm Part. N° 20.9120



APPLICATIONS

- Custom end caps for 32 series profiles
- Custom attachment brackets & attachment plates
- For other sizes & shapes have your plates made using 3/8" sheet, Part # 21.9527



ASSEMBLY

- Fasten to t-slots using [M8x20 Countersunk screws 21.1514](#) & [M8 Square Nuts With Position Fixing 21.1351/2](#)

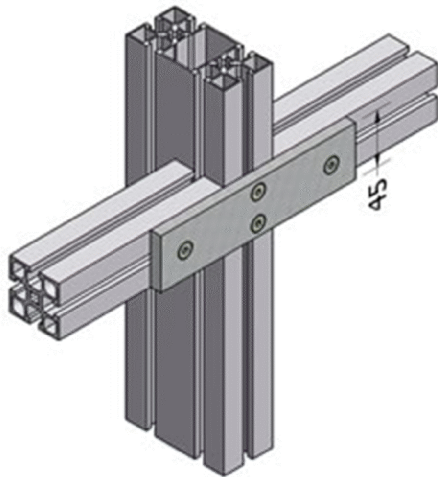
- Fasten to profile end using [M8x25 Countersunk Screw, Part # 21.1520](#) (Note profile end needs to be tapped M8)



Aluminum Bar Stock

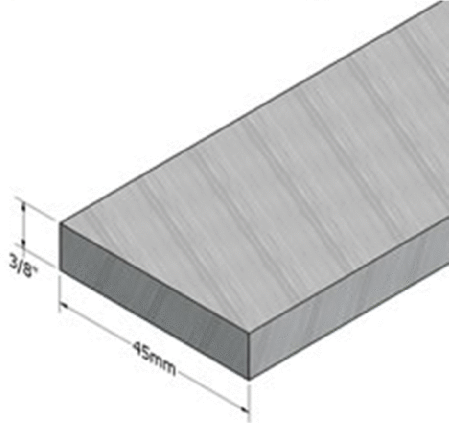
3/8" x 45mm

Part. N° 20.9121



APPLICATIONS

- Custom end plates for 45 series profiles
- Custom attachment brackets & attachment plates
- For other sizes & shapes have your plates made using 3/8" sheet, Part # 21.9527



TECHN. DATA / ITEMS SUPPLIED

- 5052 Aluminum mill finish

- 3/8" thick

- 45mm wide

- Order cut to size using Part # 25.1094

- CNC machining services available.

E-mail prints to: sales@minitecframing.com

- Max Length - 8 Feet

- Weight - kg



ASSEMBLY

- Fasten to t-slots using M8x20 Countersunk screws 21.1514 & M8 Square Nuts With Position Fixing 21.1351/2

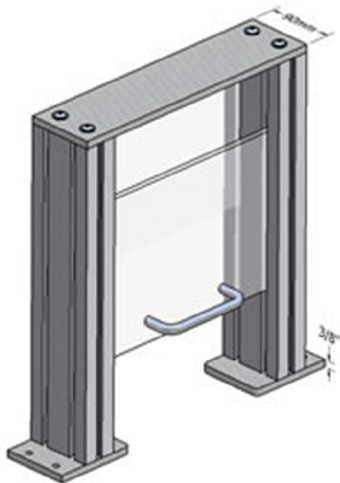
- Fasten to profile end using M8x25 Countersunk Screw, Part # 21.1520 (Note profile end needs to be tapped M8)



Aluminum Bar Stock

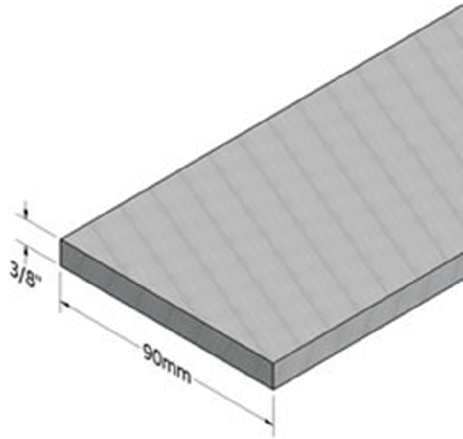
3/8" x 90mm

Part. N° 20.9122



APPLICATIONS

- Custom end plates for 90 series profiles
- Custom attachment brackets & attachment plates
- For other sizes & shapes have your plates made using 3/8" sheet, Part # 21.9527



TECHN. DATA / ITEMS SUPPLIED

- 5052 Aluminum mill finish

- 3/8" thick

- 90mm wide

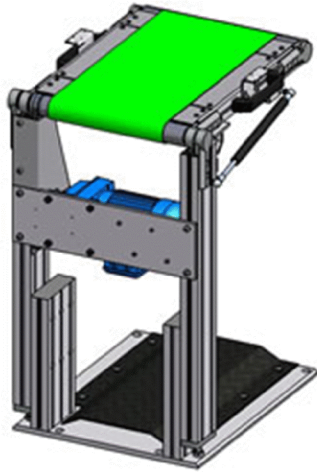
- Order cut to size using Part # 25.1094

- CNC machining services available.

E-mail prints to: sales@minitecframing.com

- Max Length - 8 Feet

- Weight - kg



ASSEMBLY

- Fasten to t-slots using M8x20 Countersunk screws 21.1514 & M8 Square Nuts With Position Fixing 21.1351/2

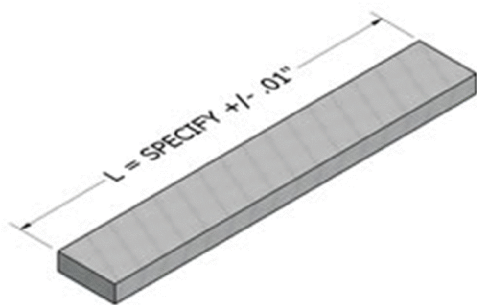
- Fasten to profile end using M8x25 Countersunk Screw, Part # 21.1520 (*Note profile end needs to be tapped M8*)



Aluminum Bar Stock

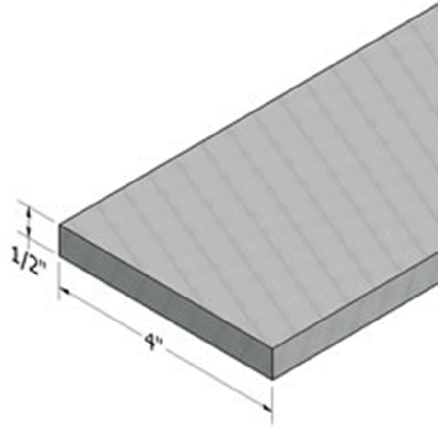
1/2" x 4"

Part. N° 20.9135



APPLICATIONS

- Custom caster, leveling & mounting plates
- Custom fastening brackets & attachment plates
- For other sizes & shapes have your plates made using 1/2" sheet, Part # 21.9528



TECHN. DATA / ITEMS SUPPLIED

- 6061 T6 aluminum, mill finish

- 1/2" thick

- 4" wide

- Order cut to size using [Part # 25.1094](#)

- CNC machining services available.

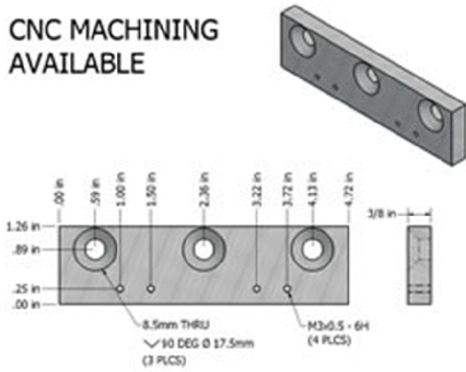
E-mail prints to: sales@minitecframing.com

- Max Length - 12 Feet

- Weight - kg



CNC MACHINING
AVAILABLE



ASSEMBLY

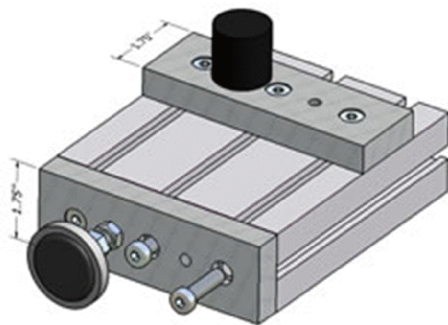
- Fasten to t-slots using using MiniTec's wide assortment of screws & T-slot nuts

- 1/2" bar stock is too large to fit in 8mm t-slots



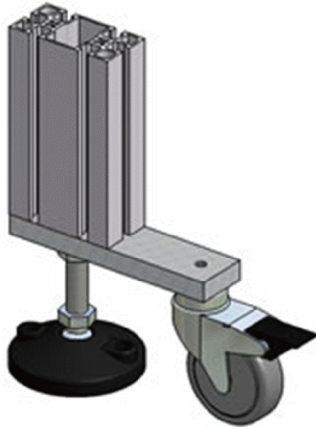
Aluminum Bar Stock 5/8 " x 1.75"

Part. N° 20.9142



APPLICATIONS

- Custom caster, leveling & mounting plates
- Custom fastening brackets & attachment plates
- For other sizes & shapes have your plates made using 1/2" sheet, Part # 21.9528



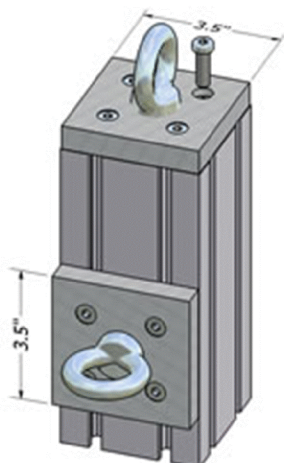
ASSEMBLY

- Fasten to t-slots using using MiniTec's wide assortment of screws & T-slot nuts



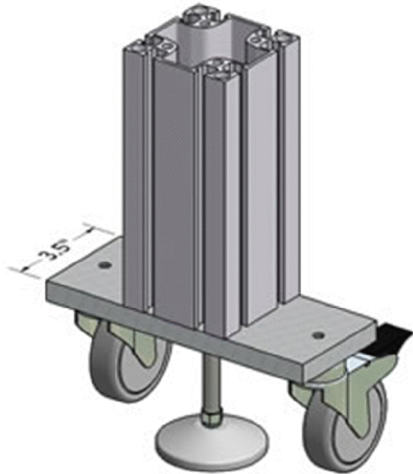
Aluminum Bar Stock 5/8 " x 3.5"

Part. N° 20.9143



APPLICATIONS

- Custom caster, leveling & mounting plates
- Custom fastening brackets & attachment plates
- For other sizes & shapes have your plates made using 1/2" sheet, Part # 21.9528



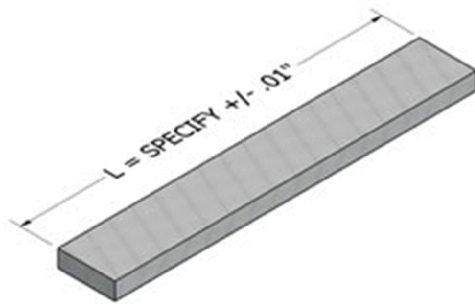
ASSEMBLY

- Fasten to t-slots using using MiniTec's wide assortment of screws & T-slot nuts



Aluminum Bar Stock 5/8 " x 6"

Part. N° 20.9145



APPLICATIONS

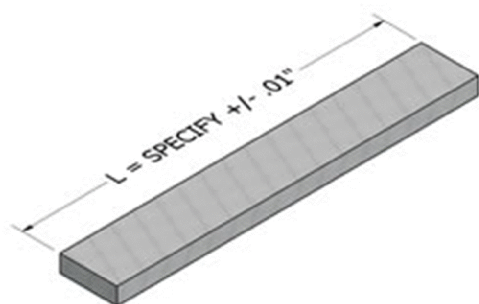
- Custom caster, leveling & mounting plates
- Custom fastening brackets & attachment plates
- For other sizes & shapes have your plates made using 1/2" sheet, Part # 21.9528



Aluminum Bar Stock

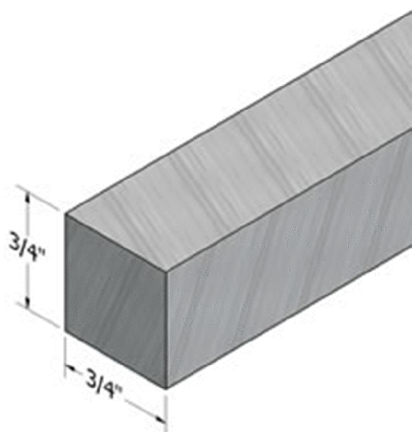
3/4 " x 3/4"

Part. N° 20.9150



APPLICATIONS

- Custom brackets for mounting small items to t-slots



TECHN. DATA / ITEMS SUPPLIED



- 6061 T6 aluminum, mill finish

- 3/4" thick

- 3/4" wide

- Order cut to size using [Part # 25.1094](#)

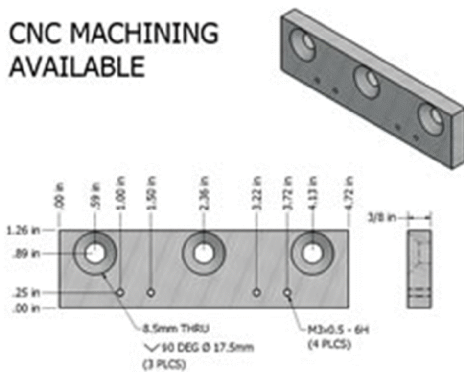
- CNC machining services available.

E-mail prints to: sales@minitecframing.com

- Max Length - 12 Feet

- Weight - kg

**CNC MACHINING
AVAILABLE**



ASSEMBLY

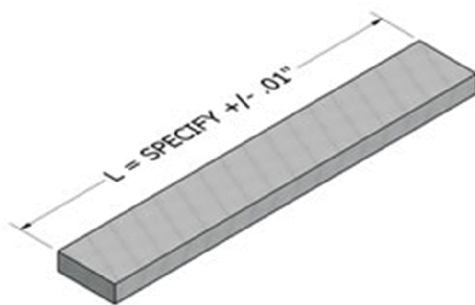
- Fasten to t-slots using using MiniTec's wide assortment of [screws](#) & [T-slot nuts](#)



Aluminum Bar Stock

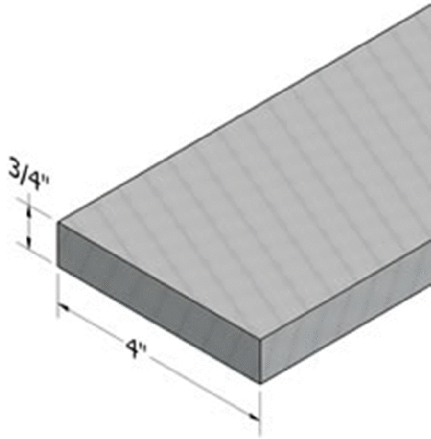
3/4 " x 4"

Part. N° 20.9153



APPLICATIONS

- Custom caster, leveling & mounting plates
- Custom fastening brackets & attachment plates
- For other sizes & shapes have your plates made using 1/2" sheet, Part # 21.9528



TECHN. DATA / ITEMS SUPPLIED

- 6061 T6 aluminum, mill finish

- 3/4" thick

- 4" wide

- Order cut to size using [Part # 25.1096](#)

- CNC machining services available.

E-mail prints to: sales@minitecframing.com

- Max Length - 12 Feet

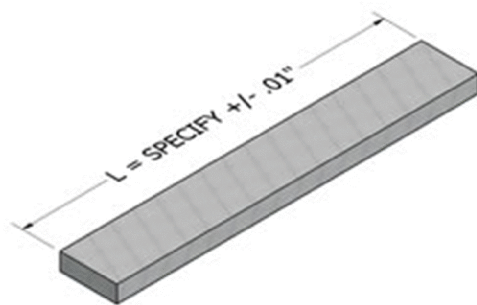
- Weight - kg



Aluminum Bar Stock

3/4 " x 6"

Part. N° 20.9155

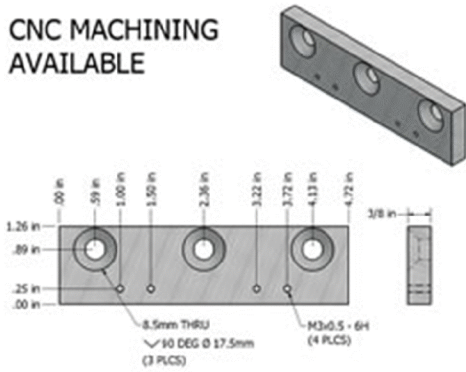


APPLICATIONS

- Custom caster, leveling & mounting plates
- Custom fastening brackets & attachment plates
- For other sizes & shapes have your plates made using 1/2" sheet, Part # 21.9528



CNC MACHINING
AVAILABLE



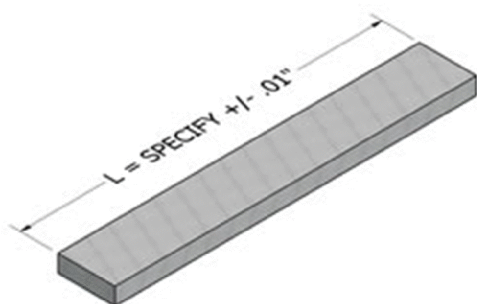
ASSEMBLY

- Fasten to t-slots using using MiniTec's wide assortment of screws & T-slot nuts



Aluminum Bar Stock 1" x 1"

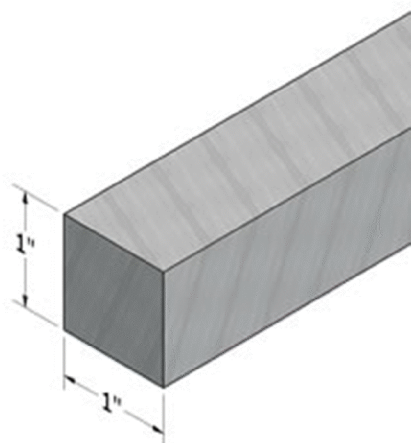
Part. N° 20.9160



APPLICATIONS

- Mounting bracket for fastening parts to MiniTec Aluminum Profiles

- Custom fastening brackets & attachment plates





TECHN. DATA / ITEMS SUPPLIED

- 6061 T6 aluminum, mill finish

- 1" thick

- 1" wide

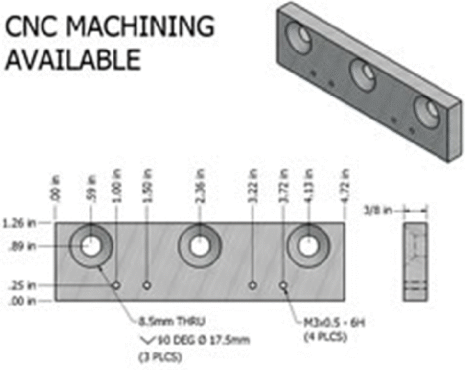
- Order cut to size using [Part # 25.1094](#)

- CNC machining services available.
E-mail prints to: sales@minitecframing.com

- Max Length - 12 Feet

- Weight - kg

CNC MACHINING AVAILABLE



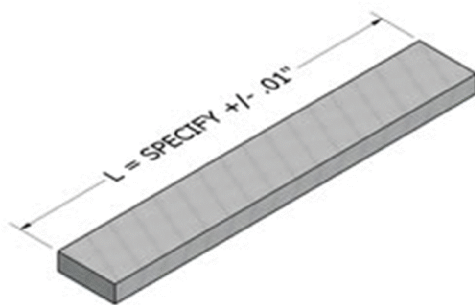
ASSEMBLY

- Fasten to t-slots using using MiniTec's wide assortment of [screws](#) & [T-slot nuts](#)



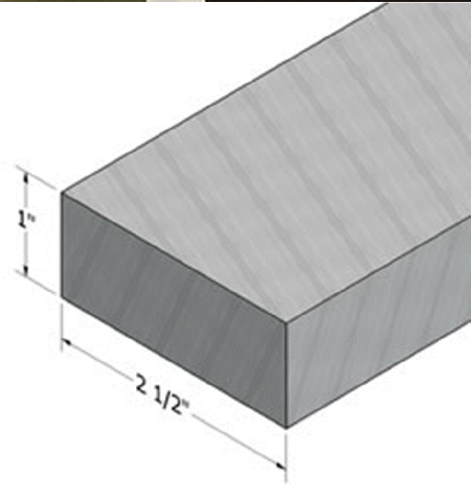
Aluminum Bar Stock 1" x 2.5"

Part. N° 20.9162



APPLICATIONS

- Mounting bracket for fastening parts to MiniTec Aluminum Profiles
- Custom fastening brackets & attachment plates
- Bearing blocks, custom pillow blocks, mounting brackets for items with large diameter threads



TECHN. DATA / ITEMS SUPPLIED

- 6061 T6 aluminum, mill finish

- 1" thick

- 2.5" wide

- Order cut to size using Part # 25.1094

- CNC machining services available.

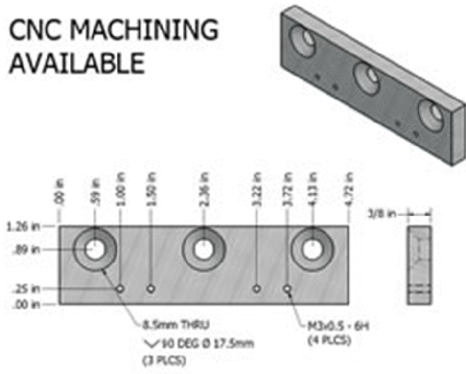
E-mail prints to: sales@minitecframing.com

- Max Length - 12 Feet

- Weight - kg



CNC MACHINING
AVAILABLE



ASSEMBLY

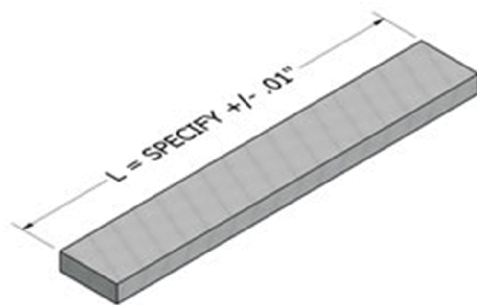
- Fasten to t-slots using using MiniTec's wide assortment of screws & T-slot nuts



Aluminum Bar Stock

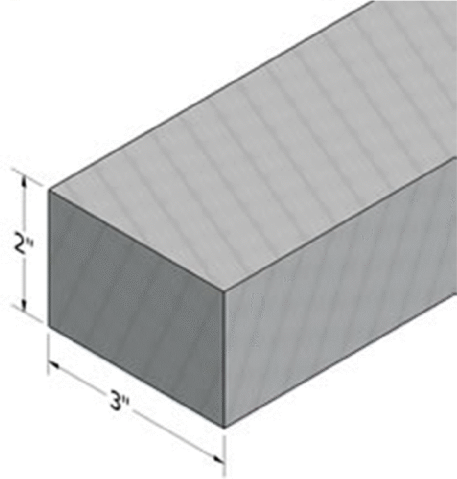
2 " x 3"

Part. N° 20.9171



APPLICATIONS

- Mounting bracket for fastening parts to MiniTec Aluminum Profiles
- Custom fastening brackets & attachment plates
- Bearing blocks, custom pillow blocks, mounting brackets for items with large diameter threads



TECHN. DATA / ITEMS SUPPLIED

- 6061 T6 aluminum, mill finish

- 2" thick

- 3" wide

- Order cut to size using Part # 25.1096

- CNC machining services available.

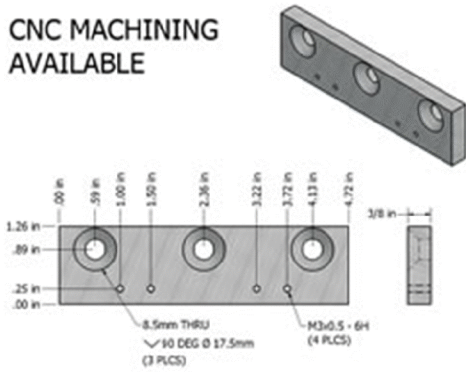
E-mail prints to: sales@minitecframing.com

- Max Length - 12 Feet

- Weight - kg



CNC MACHINING
AVAILABLE



ASSEMBLY

- Fasten to t-slots using using MiniTec's wide assortment of screws & T-slot nuts