

Fuse terminal JUK 10-DREHSI

Features

The desing feature for fuse terminal is to adopt the separating spinning arm to inlet "G" type fuse in order to make the operation easily. Its casing is sealed completely to let the terminal which is with indication lamp and which is reliable and safe give out on/off signal of fuse.



Notice:

The fuse shelf should be chosen according to its maximum dissipate heat.
Check the heat inside the fuse shelf when installment.

High environment temperature:

It will have some effect on the inserting of fuse.
The change of rated current should be considered when operate.

Illustration

Fuse terminal: for type  or  guide.
For fuse 5×20, 5×30 and 6.3×32mm
With or without indicating lamp

Fuse terminal: same as above With indicating lamp	15-24 V AC/DC
Consumed current	3.5-7.5mA
Fuse terminal: same as above With indicating lamp	110-250 V AC/DC
Consumed current	1.5-3.5 mA AC, 0.2-0.8 mA DC

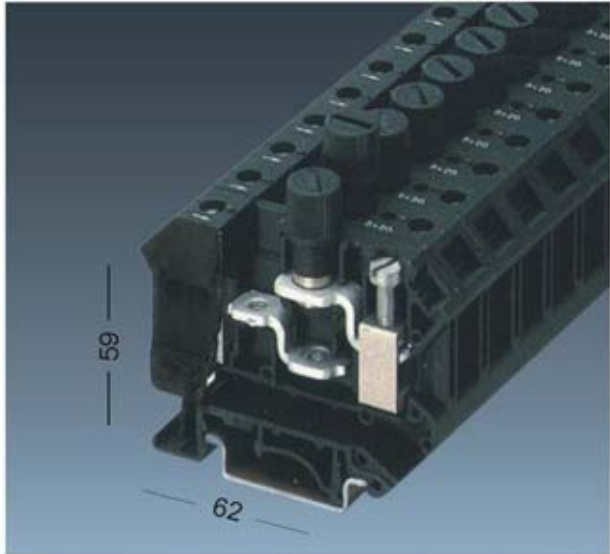


Type With or without indicating lamp Thickness of terminal 8.2

JUK 5-HESI	Core lead [mm ²]	Multi-strand lead [mm ²]	With label strip (ZB8)
Connection data	0.2-4	0.2-4	With label strip (ZB8)
*Current decided by fuse voltage decided by indicating lamp	Current 6.3A	Voltage 800V	In C ₁₀ A type

CE CQC Certificate

For fuse of 5×20, 5×25, 5×30mm



Type With or without indicating lamp Thickness of terminal 12

JUK 10-DREHSI	Core lead [mm ²]	Multi-strand lead [mm ²]	With label strip (ZB8)
IEC 947-7-1	0.5-16	0.5-16	With label strip (ZB8)
*Current decided by fuse voltage decided by indicating lamp	Current 10A	Voltage 800V	In C ₁₀ A type

CE CQC Certificate

For 5×20 (With or without indicating lamp)

(1) Center jumper bar connect in the center of terminal 10 potential, separable, 10 screws, with insulation casing



JUK10-DREHSI 5×20	
JUK10-DREHSI 5×25	
JUK10-DREHSI 6.3×32	
JUK10-DREHSILED 24 5×20	
JUK10-DREHSILED 24 6.3×32	
JUK10-DREHSILED 250 5×20	
JUK10-DREHSILED 250 6.3×32	