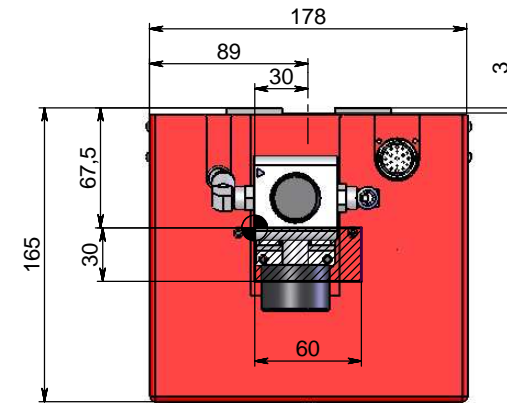
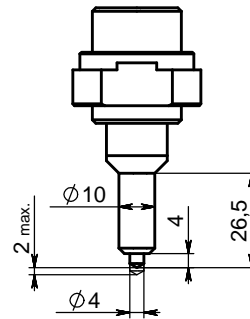
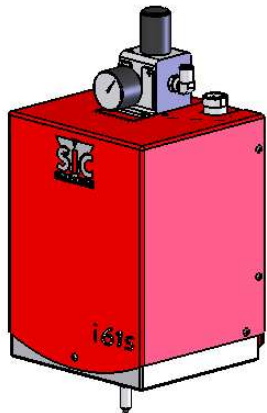
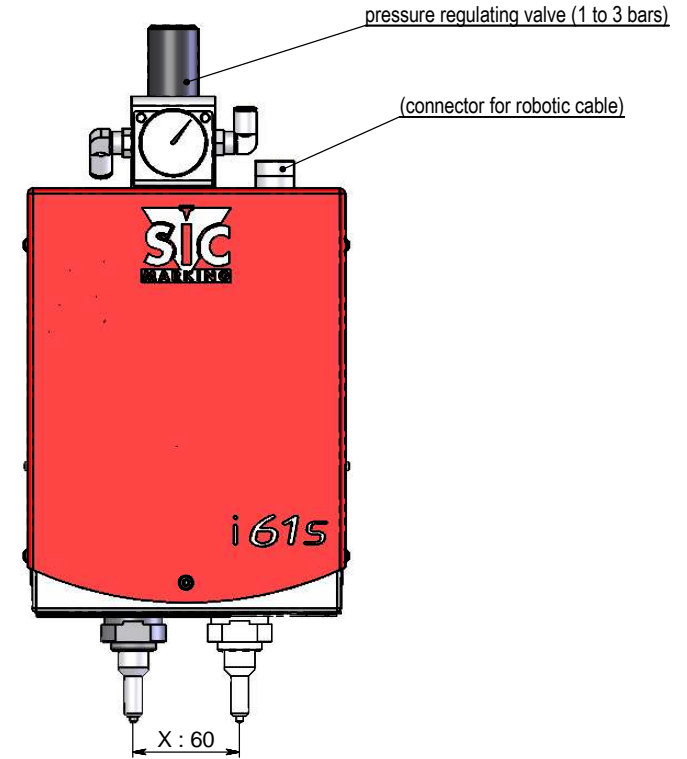
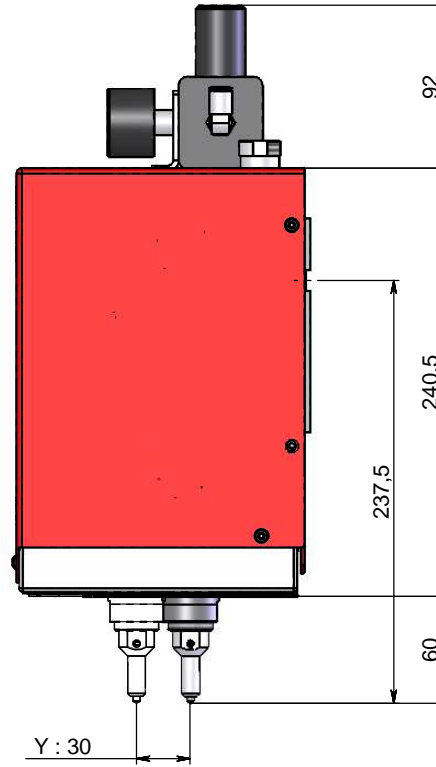
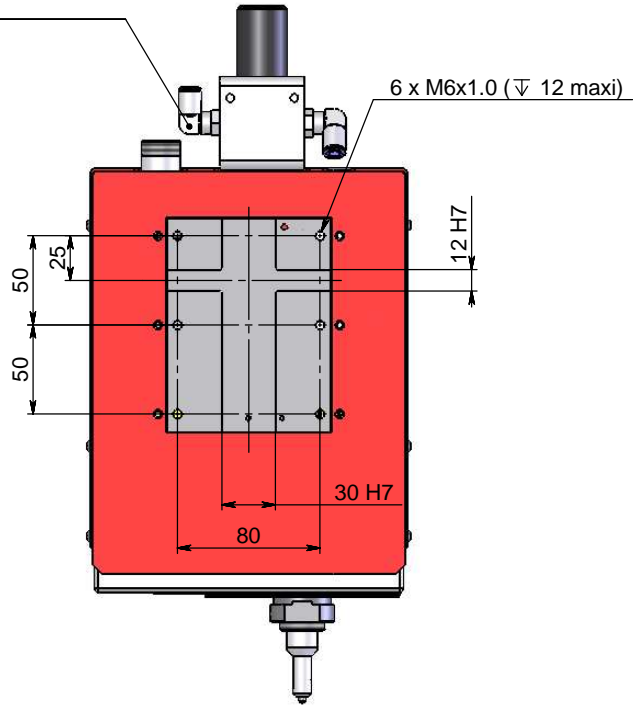


Compressed air supply (6 bars)
(connection G1/4 or pipe diam 6)



- marking window : 60 x 30 mm
- connection between head and controller : 5 or 10 m
- pneumatic scibing assembly (piston's diam 20 mm)
- positioning : grooves 30H7 and 12H7
- fixing : 6 M6 screwed holes
- stylus stroke : 2 mm maxi
- weight : 11,8 kg



Designer : C.P	Date : 12/04/2006	Scale : 1:3	
Name : OVERVIEW DRAWING			
N°: i61s (US)			