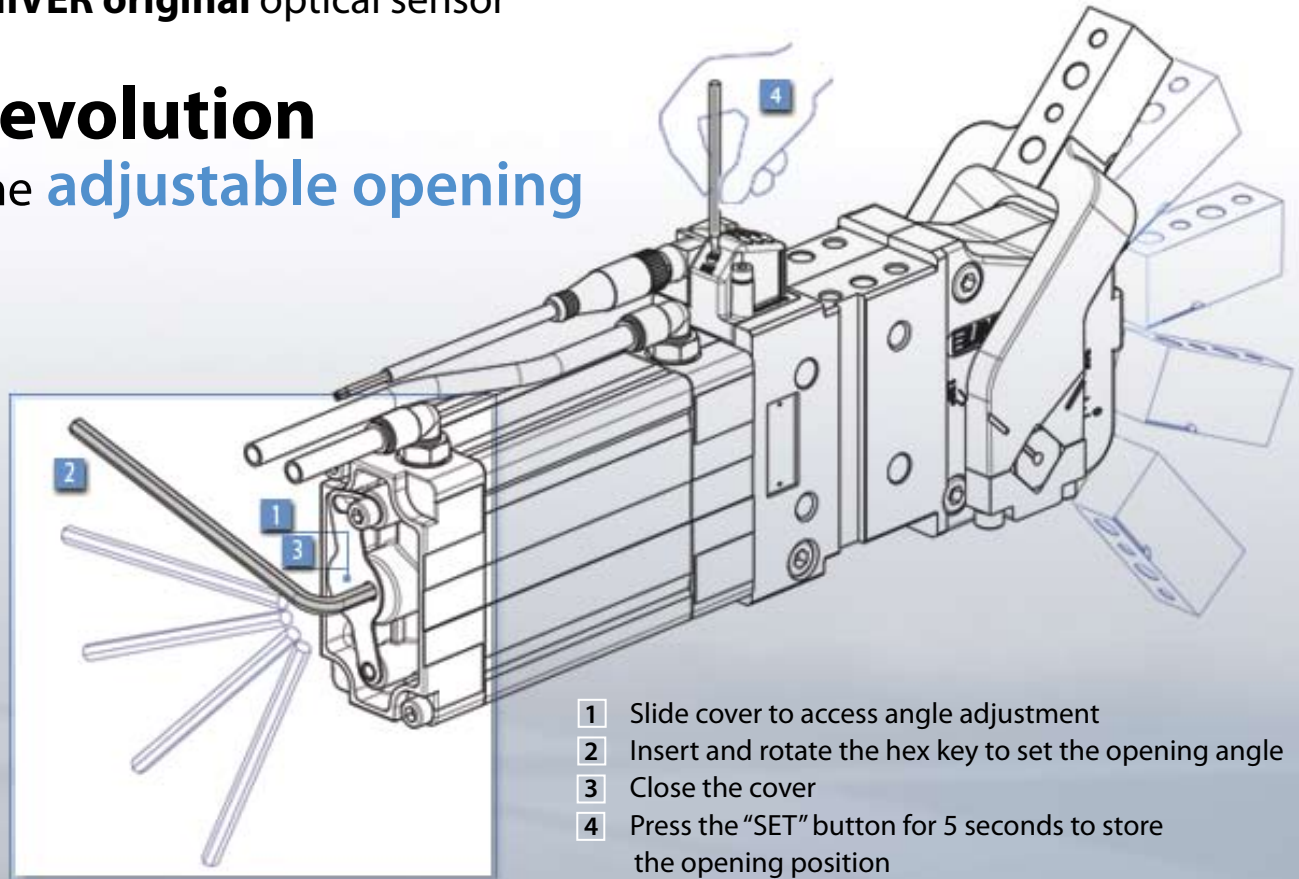


# UNIVERSAL\_Power clamps

- Fully adjustable opening angle
- UNIVER original optical sensor

The **evolution**  
of the **adjustable opening**



## COMPLETE INTERCHANGEABILITY with LAP/LNP series:

- Interchangeable **mounting**
- Interchangeable **overall dimensions**
- Interchangeable **models and options**
- Same **inner linkage mechanism**

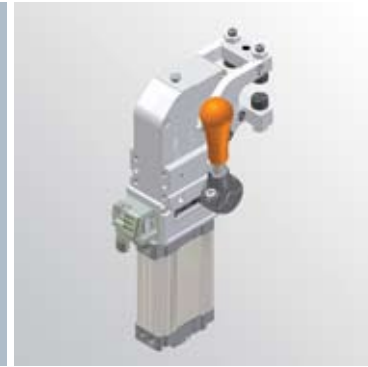
## ADVANTAGES FOR THE END CUSTOMER:

### UNIVERSAL series:

- Allows **opening angle** to be adjusted from 0° to 125° for the 40mm bore and from 0° to 135° for the 50, 63, 80mm bore
- Allows **to set the opening** angle with or without air supply
- Reduces **stock requirements: one UNIVERSAL unit** can be used to set all possible opening angles
- Can be used **as direct replacement** for LAP/LNP series
- Increases **productivity** and decreases cycle time by being able to set the clamp to the minimum required opening angle
- Guarantees the same reliability recognized by the market thanks to the use of the **already proven inner linkage mechanism** of the LAP/LNP series
- Provides **pumatic ports on both sides** of the cylinder
- Is equipped with a **UNIVER original all metal construction optical sensor**, which is IP65 and includes a swivel connector which can be orientated in 0° or 90°

# UGM40

UNIVERSAL gripper units  
for assembling



U	G	M	4	0	V	B	U
1	2	3	4	5	6		

1 Series	2 Version	3 Size
----------	-----------	--------

**UG** = UNIVERSAL gripper units  
- fully adjustable opening angle  
from 0° to 95°

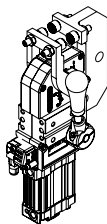
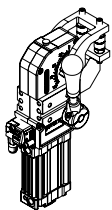
**M** = Pneumatic with manual lever

**40** =  $\varnothing$  40 mm

4 Arm mount position	5 Arm style	6 Sensing style
----------------------	-------------	-----------------

**V** = 90°

**O** = 180°



**B** = Upper and lower jaws opening;  
double tips - available only with  
vertical jaws mount style

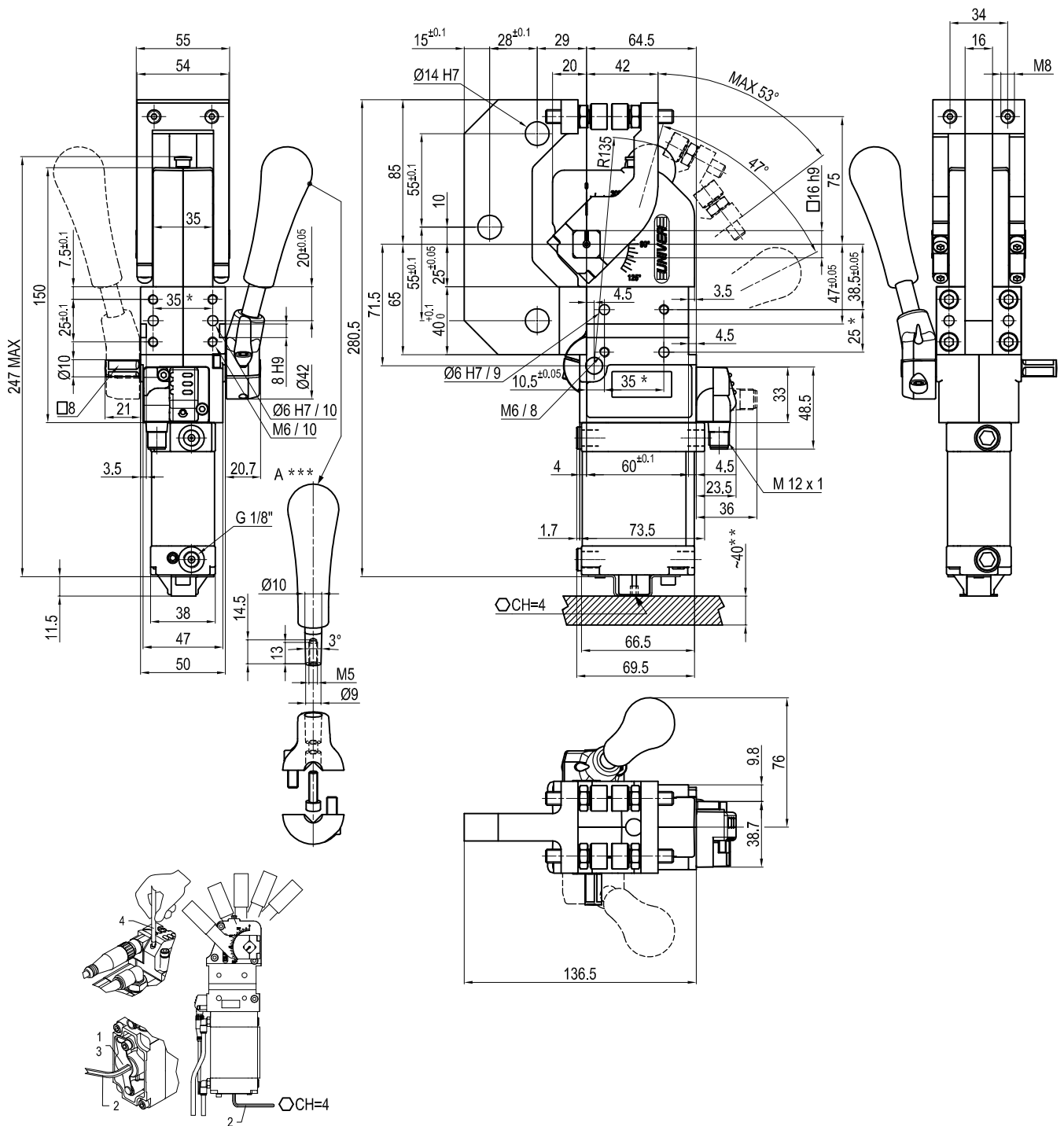
**F** = Upper and lower jaws opening;  
single tips - available only with  
vertical jaws mount style

**L** = Fixed lower, upper jaws opening;  
double tips

**N** = No sensor  
(with protection plate)

**U** = Electronic 24 Vdc sensor with M12  
swivel connector

## UNIVERSAL gripper units for assembling



Bore Ø	Holding moment	Clamping moment	Weight
40 mm	600 Nm	170 Nm	1.8 Kg

Min./max. operating pressure: **0,4 / 0,8 MPa**

Operating temperature: **5° + 45° C**

Opening angle: **adjustable from 0° to 53°**

Horizontal arm mount position

With manual lever

Electronic 24 Vdc, sensor with M12 swivel connector that can be orientated at 0° or 90°

Protection Class: **IP 65**

Pneumatic ports on both sides

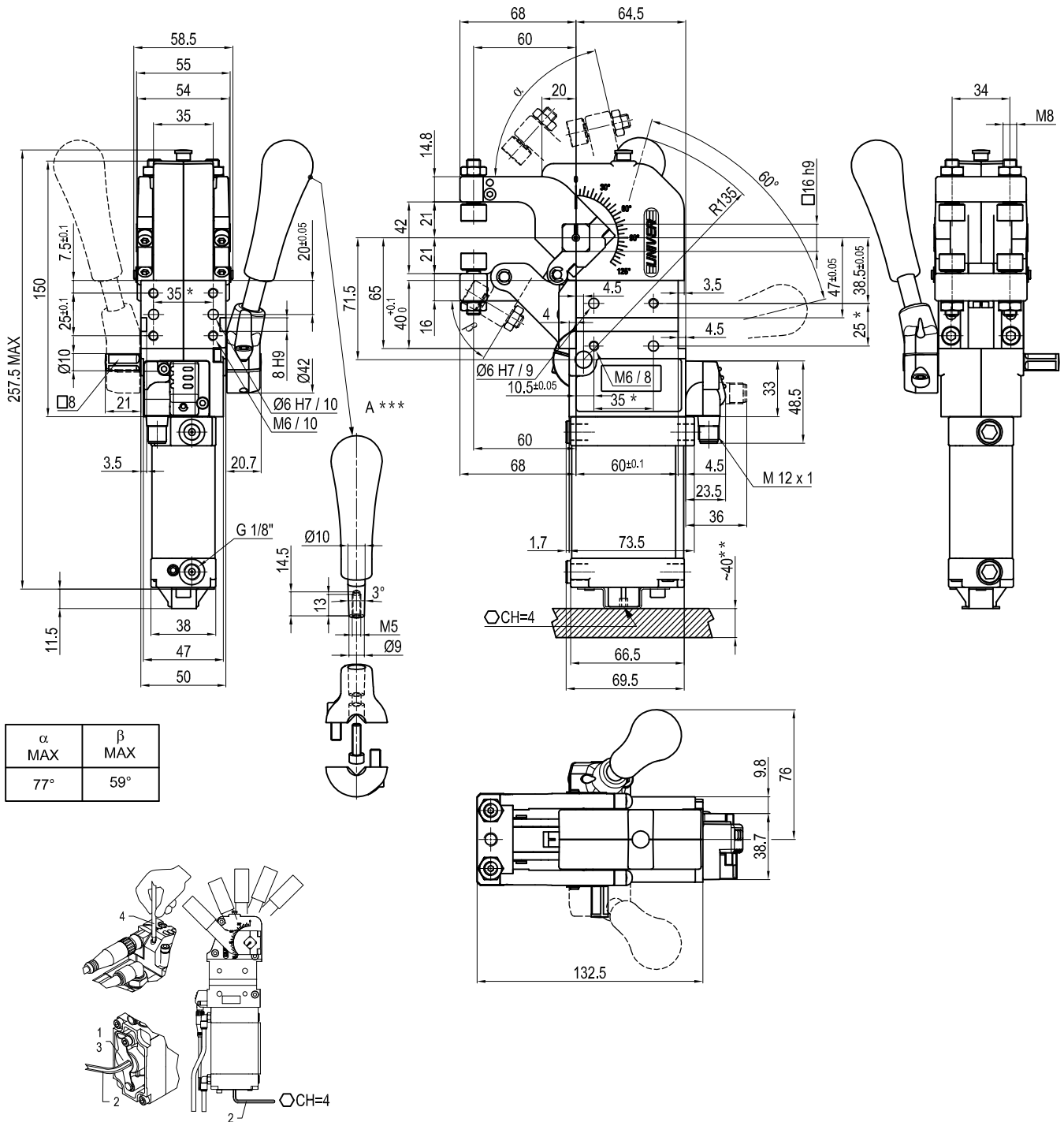
\* : TOLERANCE BETWEEN DOWELS ± 0.02, TO SCREW HOLES ± 0.1

\*\* : AREA TO ACCESS ANGLE ADJUSTMENT

\*\*\* : DIMENSIONS TO BE RESPECTED IN CASE OTHER MANUAL LEVERS ARE USED

Subject to technical modifications without notice

## UNIVERSAL gripper units for assembling



Bore Ø	Holding moment	Clamping moment	Weight
40 mm	600 Nm	170 Nm	1.8 Kg

Min./max. operating pressure: **0,4 / 0,8 MPa**

Operating temperature: **5° + 45° C**

Opening angle: **adjustable from 0° to 77°**

Vertical arm mount position

With manual lever

Electronic 24 Vdc, sensor with M12 swivel connector that can be orientated at 0° or 90°

Protection Class: **IP 65**

Pneumatic ports on both sides

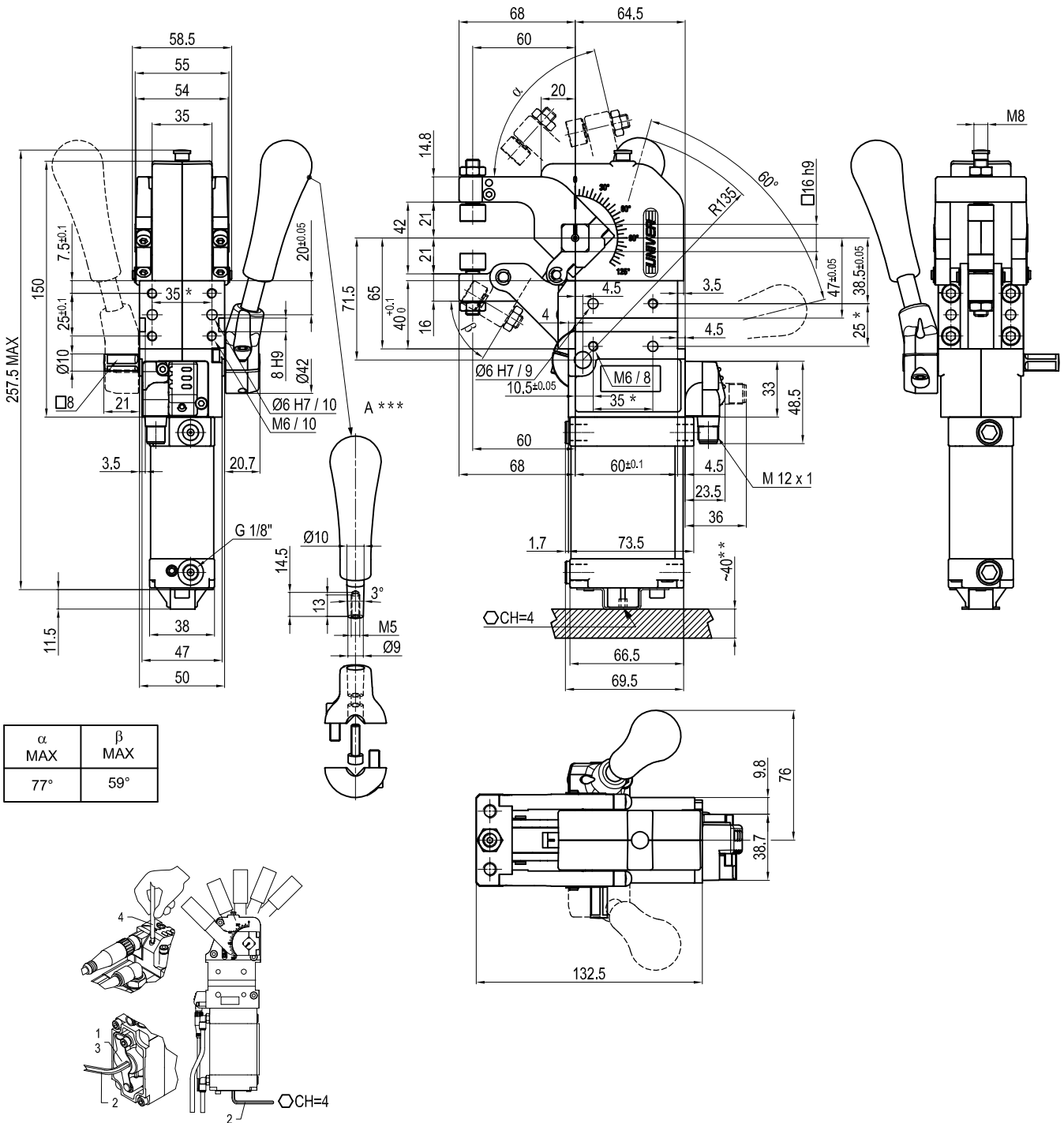
\* : TOLERANCE BETWEEN DOWELS ± 0.02, TO SCREW HOLES ± 0.1

\*\* : AREA TO ACCESS ANGLE ADJUSTMENT

\*\*\* : DIMENSIONS TO BE RESPECTED IN CASE OTHER MANUAL LEVERS ARE USED

Subject to technical modifications without notice

## UNIVERSAL gripper units for assembling



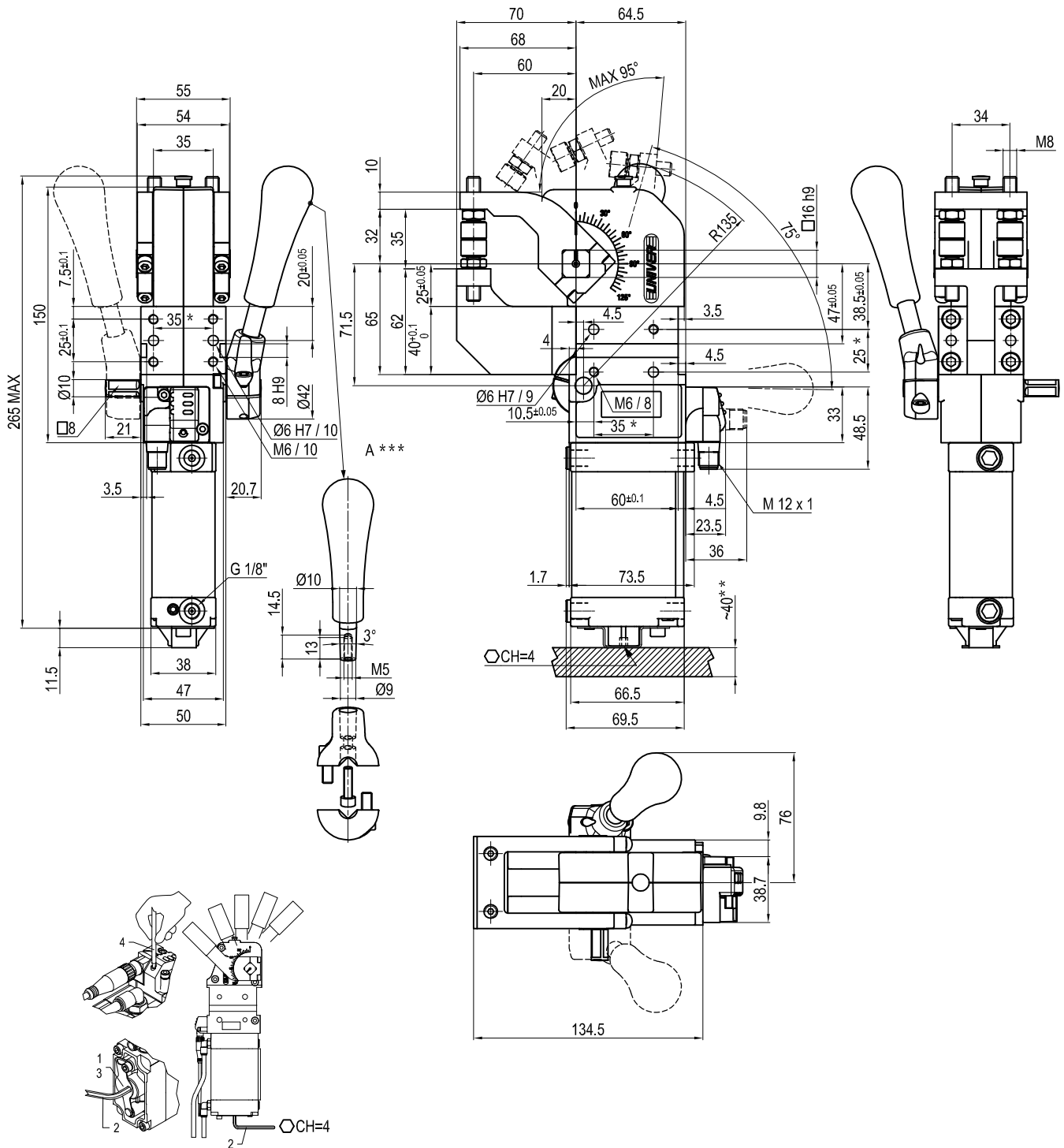
Bore Ø	Holding moment	Clamping moment	Weight
40 mm	600 Nm	170 Nm	1.8 Kg

Min./max. operating pressure: **0,4 / 0,8 MPa**  
 Operating temperature: **5° + 45° C**  
 Opening angle: **adjustable from 0° to 77°**  
 Vertical arm mount position  
 With manual lever  
 Electronic 24 Vdc, sensor with M12 swivel connector that can be orientated at 0° or 90°  
 Protection Class: **IP 65**  
 Pneumatic ports on both sides

\* : TOLERANCE BETWEEN DOWELS ± 0.02, TO SCREW HOLES ± 0.1  
 \*\* : AREA TO ACCESS ANGLE ADJUSTMENT  
 \*\*\* : DIMENSIONS TO BE RESPECTED IN CASE OTHER MANUAL LEVERS ARE USED

Subject to technical modifications without notice

## UNIVERSAL gripper units for assembling



Bore Ø	Holding moment	Clamping moment	Weight
40 mm	600 Nm	170 Nm	1.8 Kg

Min./max. operating pressure: **0,4 / 0,8 MPa**

Operating temperature: **5° + 45° C**

Opening angle: **adjustable from 0° to 95°**

Vertical arm mount position

With manual lever

Electronic 24 Vdc, sensor with M12 swivel connector that can be orientated at 0° or 90°

Protection Class: **IP 65**

Pneumatic ports on both sides

\* : TOLERANCE BETWEEN DOWELS ± 0.02, TO SCREW HOLES ± 0.1

\*\* : AREA TO ACCESS ANGLE ADJUSTMENT

\*\*\* : DIMENSIONS TO BE RESPECTED IN CASE OTHER MANUAL LEVERS ARE USED

Subject to technical modifications without notice