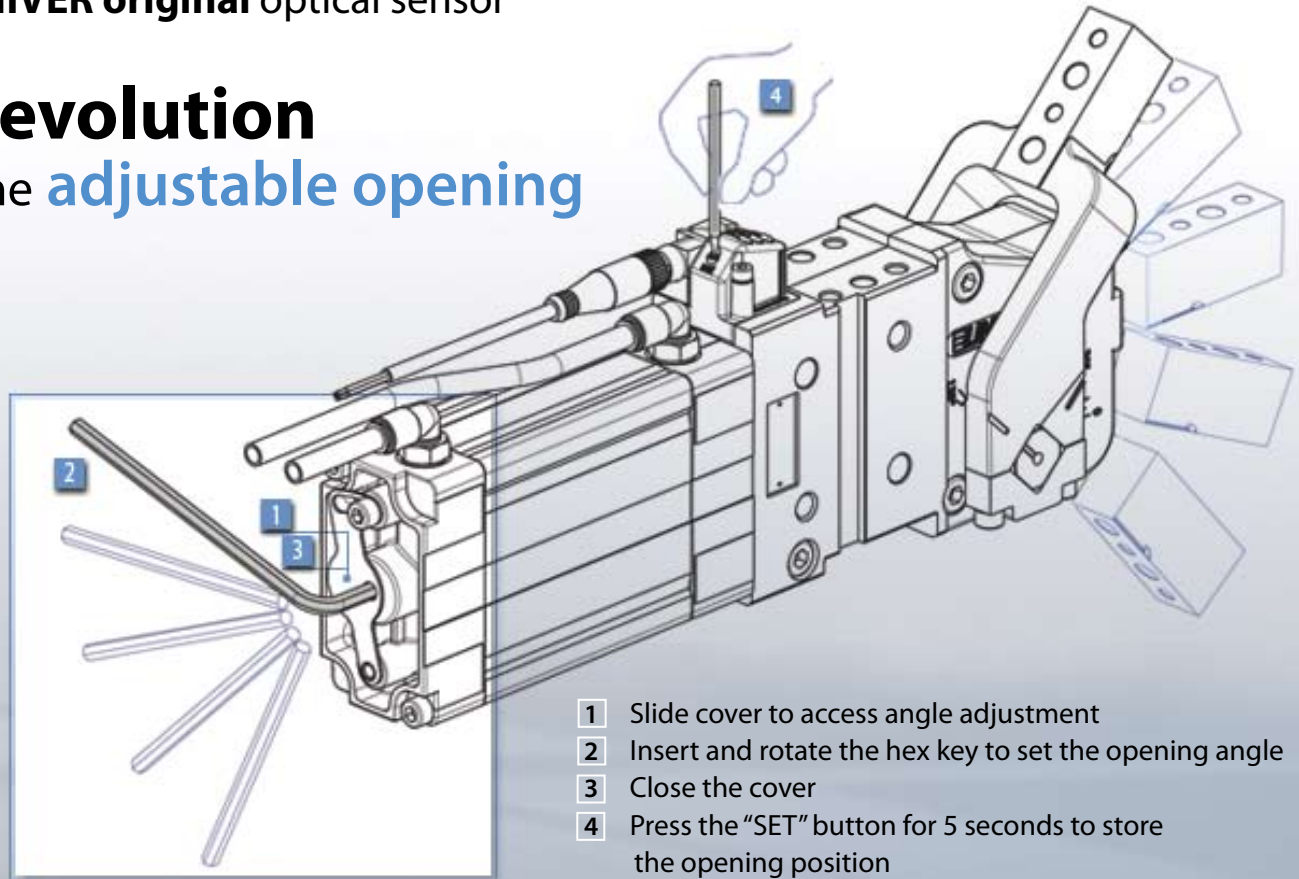


UNIVERSAL_Power clamps

- **Fully adjustable** opening angle
- **UNIVER original** optical sensor

The **evolution**
of the **adjustable opening**



COMPLETE INTERCHANGEABILITY with LAP/LNP series:

- Interchangeable **mounting**
- Interchangeable **overall dimensions**
- Interchangeable **models and options**
- Same **inner linkage mechanism**

ADVANTAGES FOR THE END CUSTOMER:

UNIVERSAL series:

- Allows **opening angle** to be adjusted from 0° to 125° for the 40mm bore and from 0° to 135° for the 50, 63, 80mm bore
- Allows **to set the opening** angle with or without air supply
- Reduces **stock requirements: one UNIVERSAL unit** can be used to set all possible opening angles
- Can be used **as direct replacement** for LAP/LNP series
- Increases **productivity** and decreases cycle time by being able to set the clamp to the minimum required opening angle
- Guarantees the same reliability recognized by the market thanks to the use of the **already proven inner linkage mechanism** of the LAP/LNP series
- Provides **pumatic ports on both sides** of the cylinder
- Is equipped with a **UNIVER original all metal construction optical sensor**, which is IP65 and includes a swivel connector which can be orientated in 0° or 90°

UGP40

UNIVERSAL gripper units
for assembling



| | | | | | | | |
|---|---|---|---|---|---|---|---|
| U | G | P | 4 | 0 | V | B | U |
| 1 | 2 | 3 | 4 | 5 | 6 | | |

| 1 Series | 2 Version | 3 Size |
|----------|-----------|--------|
|----------|-----------|--------|

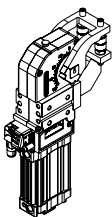
UG = UNIVERSAL gripper units
- fully adjustable opening angle
from 0° to 95°

P = Pneumatic standard

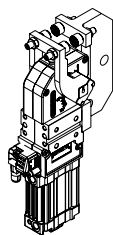
40 = \varnothing 40 mm

| 4 Arm mount position | 5 Arm style | 6 Sensing style |
|----------------------|-------------|-----------------|
|----------------------|-------------|-----------------|

V = 90°



O = 180°



B = Upper and lower jaws opening;
double tips - available only with
vertical jaws mount style

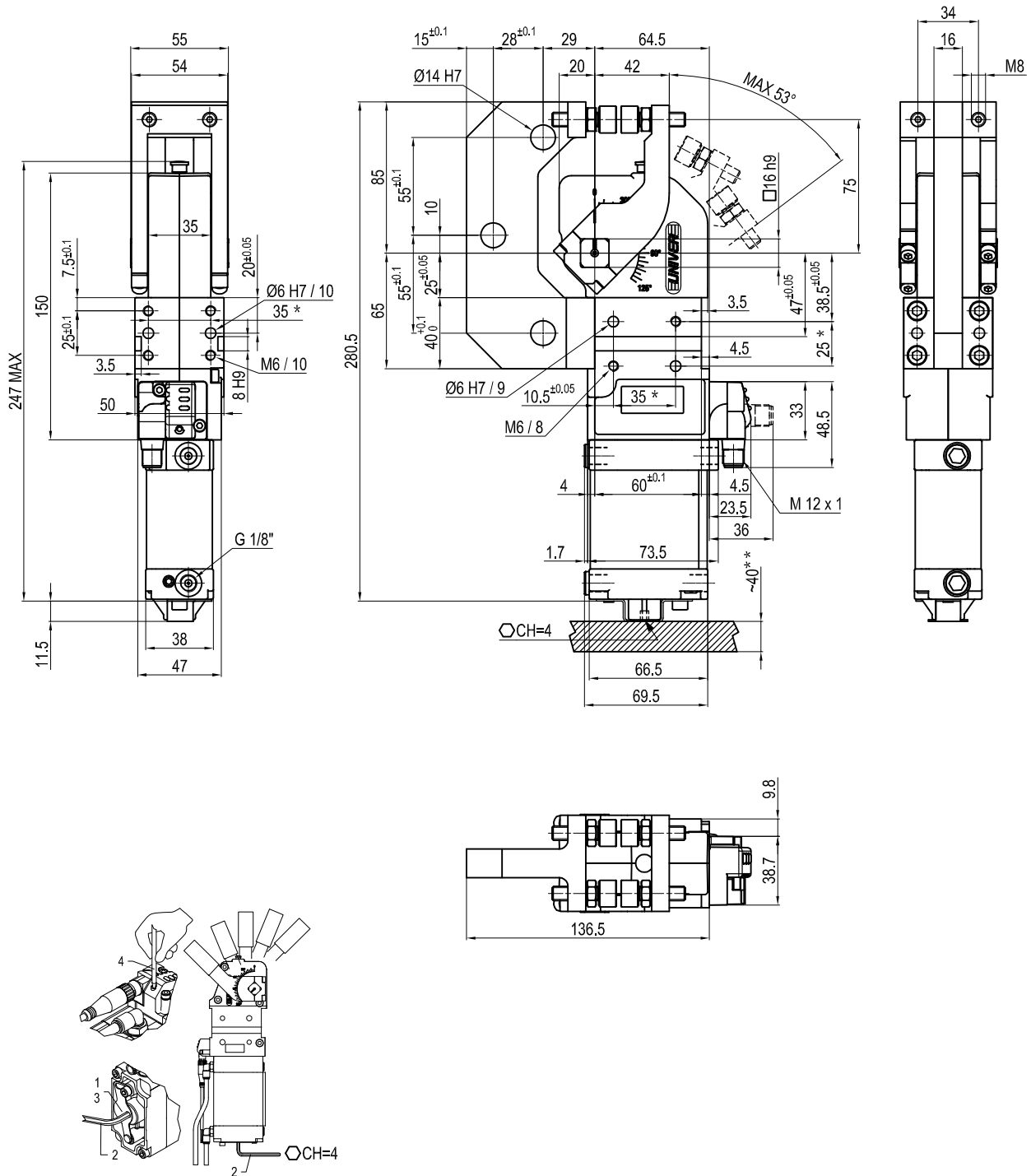
F = Upper and lower jaws opening;
single tips - available only with
vertical jaws mount style

L = Fixed lower, upper jaws opening;
double tips

N = No sensor
(with protection plate)

U = Electronic 24 Vdc sensor with M12
swivel connector

UNIVERSAL gripper units for assembling



| Bore Ø | Holding moment | Clamping moment | Weight |
|--------|----------------|-----------------|--------|
| 40 mm | 600 Nm | 170 Nm | 1.8 Kg |

Min./max. operating pressure: **0,4 / 0,8 MPa**

Operating temperature: **5° ÷ 45° C**

Opening angle: **adjustable from 0° to 53°**

Horizontal arm mount position

Electronic 24 Vdc, sensor with M12 swivel connector that can be orientated at 0° or 90°

Protection Class: **IP 65**

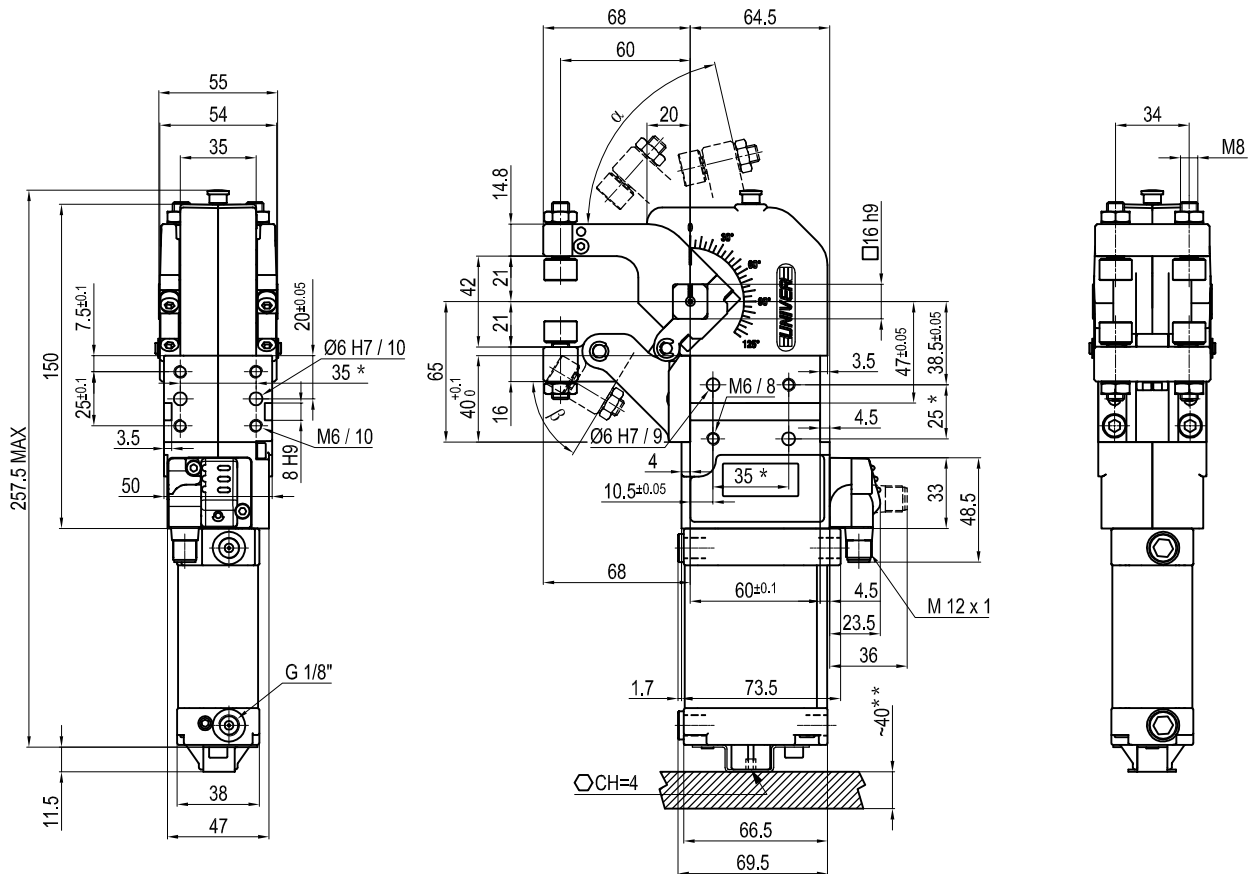
Pneumatic ports on both sides

* : TOLERANCE BETWEEN DOWELS ± 0.02, TO SCREW HOLES ± 0.1

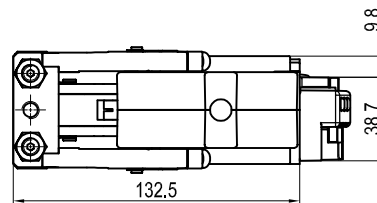
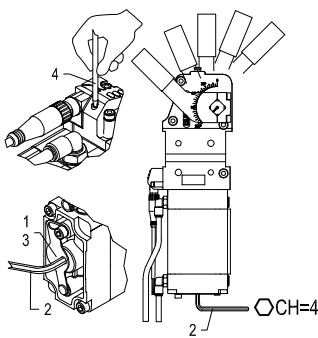
** : AREA TO ACCESS ANGLE ADJUSTMENT

Subject to technical modifications without notice

UNIVERSAL gripper units for assembling



| | |
|-----------------|----------------|
| α MAX | β MAX |
| 77° | 59° |



| Bore Ø | Holding moment | Clamping moment | Weight |
|-----------|-------------------|--------------------|--------|
| 40 mm | 600 Nm | 170 Nm | 1.8 Kg |

Min./max. operating pressure: **0,4 / 0,8 MPa**

Operating temperature: **5° ÷ 45° C**

Opening angle: **adjustable from 0° to 77°**

Vertical arm mount position

Electronic 24 Vdc, sensor with M12 swivel connector that can be orientated at 0° or 90°

Protection Class: **IP 65**

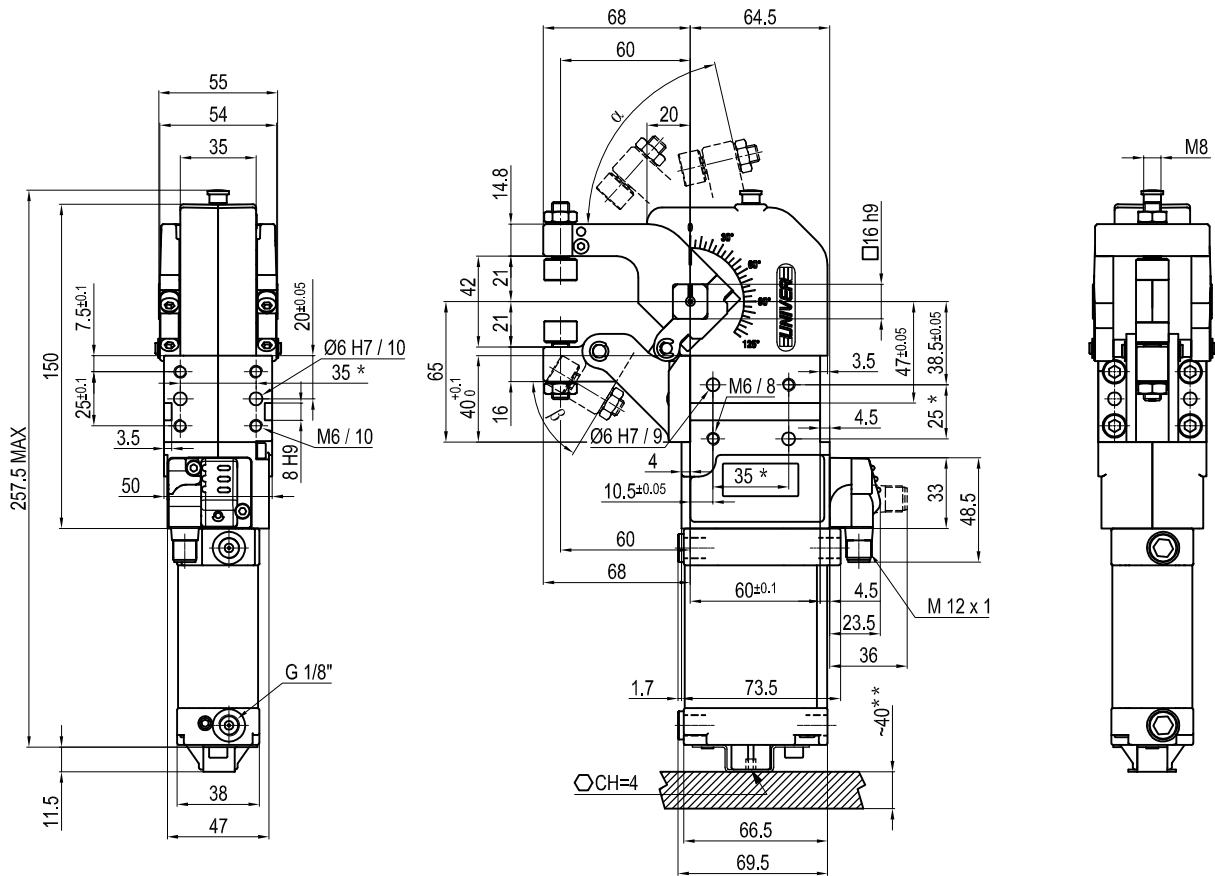
Pneumatic ports on both sides

* : TOLERANCE BETWEEN DOWELS ± 0.02, TO SCREW HOLES ± 0.1

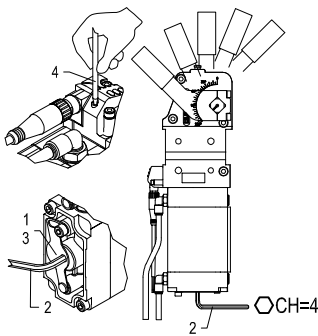
** : AREA TO ACCESS ANGLE ADJUSTMENT

Subject to technical modifications without notice

UNIVERSAL gripper units for assembling



| | |
|-----------------|----------------|
| α MAX | β MAX |
| 77° | 59° |



| Bore \varnothing | Holding moment | Clamping moment | Weight |
|--------------------|----------------|-----------------|--------|
| 40 mm | 600 Nm | 170 Nm | 1.8 Kg |

Min./max. operating pressure: **0,4 / 0,8 MPa**

Operating temperature: **5° ÷ 45° C**

Opening angle: **adjustable from 0° to 77°**

Vertical arm mount position

Electronic 24 Vdc, sensor with M12 swivel connector that can be orientated at 0° or 90°

Protection Class: **IP 65**

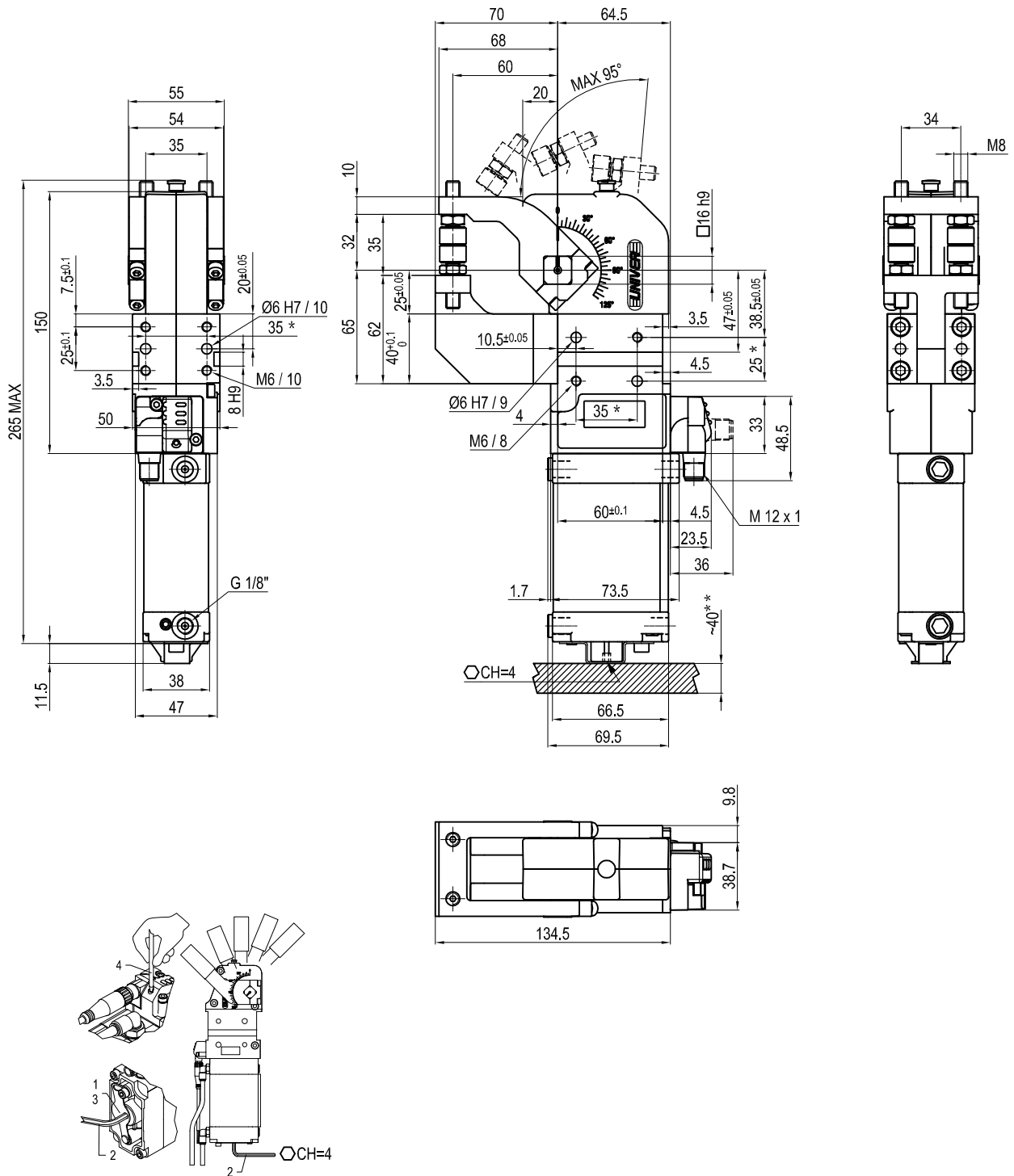
Pneumatic ports on both sides

* : TOLERANCE BETWEEN DOWELS ± 0.02 , TO SCREW HOLES ± 0.1

** : AREA TO ACCESS ANGLE ADJUSTMENT

Subject to technical modifications without notice

UNIVERSAL gripper units for assembling



| Bore Ø | Holding moment | Clamping moment | Weight |
|--------|----------------|-----------------|--------|
| 40 mm | 600 Nm | 170 Nm | 1.8 Kg |

Min./max. operating pressure: **0,4 / 0,8 MPa**

Operating temperature: **5° ÷ 45° C**

Opening angle: **adjustable from 0° to 95°**

Vertical arm mount position

Electronic 24 Vdc, sensor with M12 swivel connector that can be orientated at 0° or 90°

Protection Class: **IP 65**

Pneumatic ports on both sides

* : TOLERANCE BETWEEN DOWELS ± 0.02, TO SCREW HOLES ± 0.1

** : AREA TO ACCESS ANGLE ADJUSTMENT

Subject to technical modifications without notice