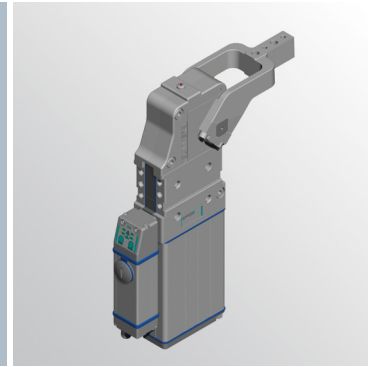


LAE350

Power clamp



| | | | | | | | | | |
|---|---|---|---|---|---|---|---|---|---|
| L | A | E | 3 | 5 | 0 | V | C | 1 | 0 |
| 1 | | | 2 | | 3 | 4 | 5 | | |

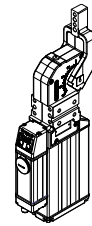
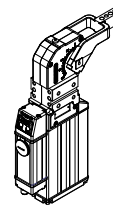
| | | | |
|-----------------|---------------|-----------------------------|--|
| 1 Series | 2 Size | 3 Arm mount position | |
|-----------------|---------------|-----------------------------|--|

LAE = Power clamp

350

V = 90°

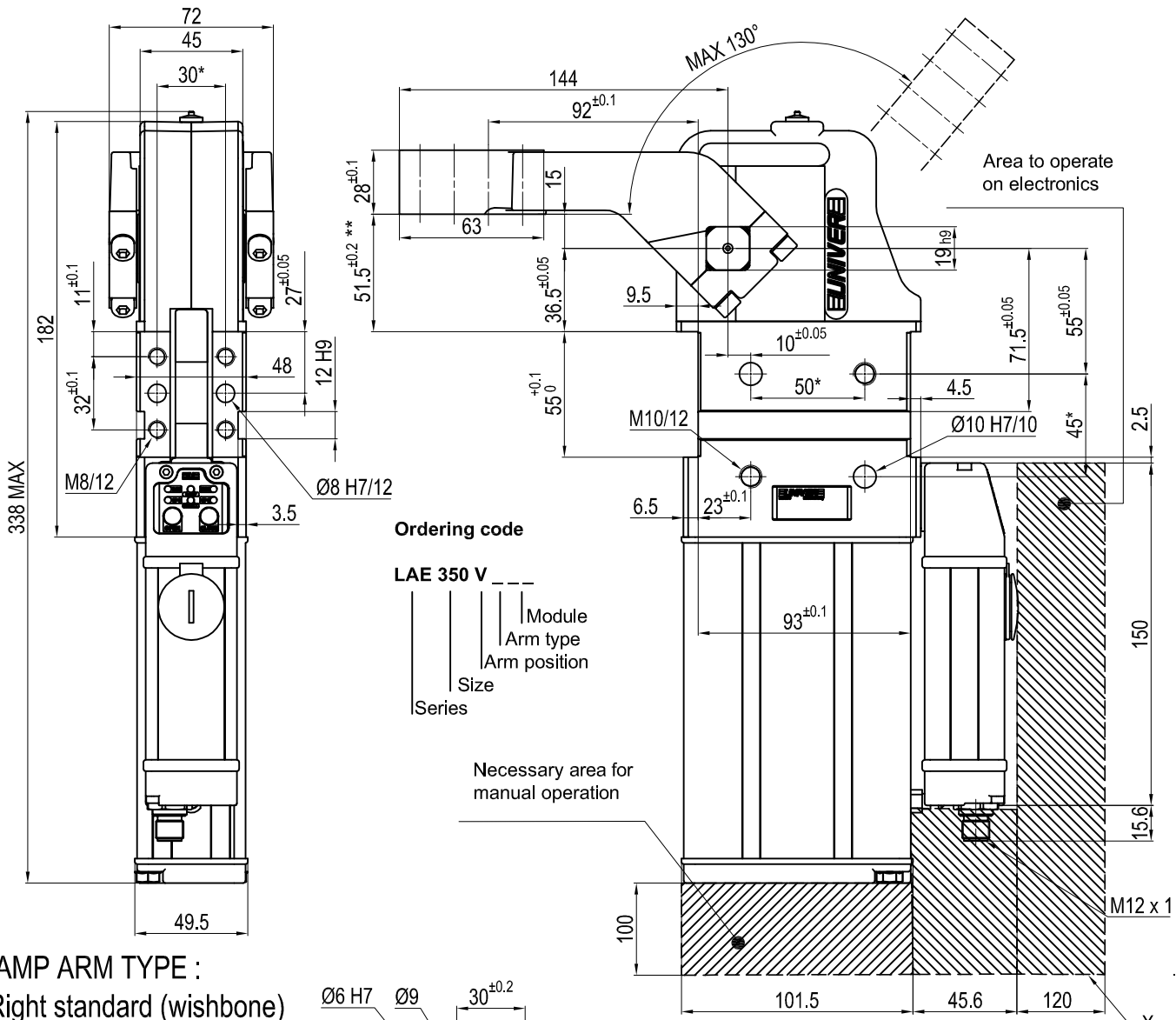
O = 180°



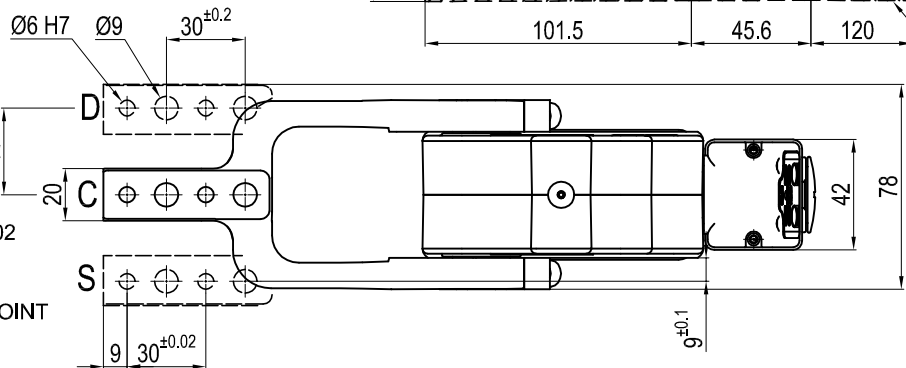
| | |
|--------------------|-------------------------|
| 4 Arm style | 5 Control module |
|--------------------|-------------------------|

C = Central - standard
 D = Right - standard
 S = Left - standard

10 = 1 connector - standard software
 20 = 2 connector - standard software



CLAMP ARM TYPE :
 D Right standard (wishbone)
 C Central standard (wishbone)
 S Left standard (wishbone)



* : TOLERANCE FOR DOWEL HOLES ± 0.02
 FOR SCREW HOLES ± 0.1

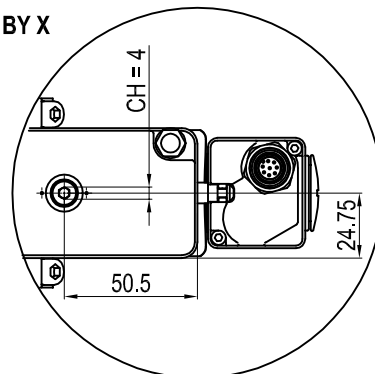
** : TOLERANCE AT 80mm FROM PIVOT POINT

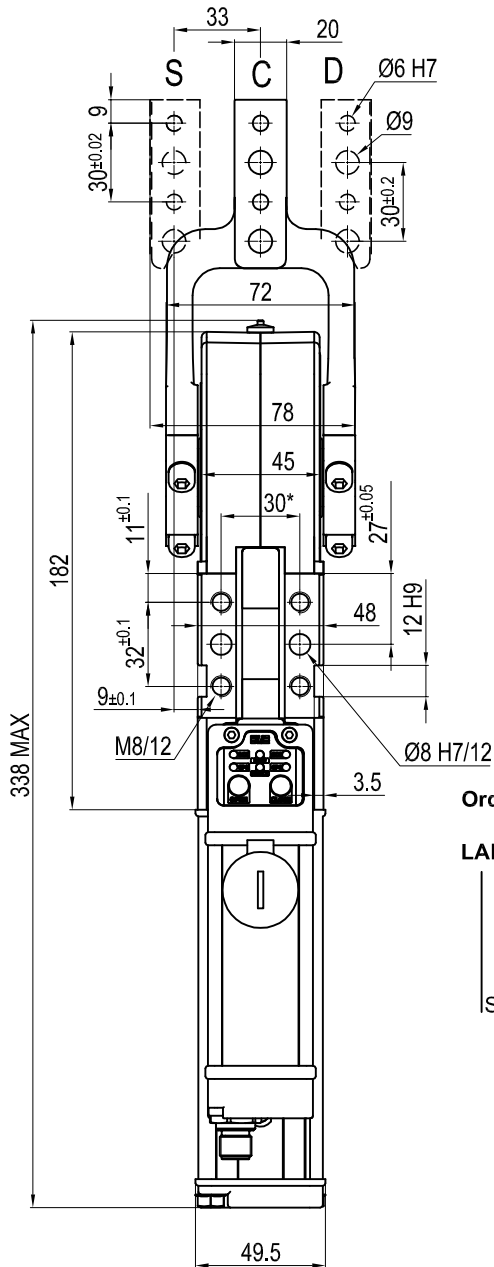
Temperature range : $5^{\circ} \div 40^{\circ}\text{C}$
 Opening angles available : $130^{\circ} - 105^{\circ} - 90^{\circ} - 75^{\circ} - 60^{\circ} - 45^{\circ} - 30^{\circ} - 15^{\circ}$
 Work position : vertical
 Class protection : **IP 65**

| Size | Clamping Torque | Sec. to clamping point | Max weight |
|------|-----------------|------------------------|------------|
| 350 | 350 Nm | 1 sec x 90° | 4,3 Kg. |

Subject to technical modifications without notice

SEEN BY X



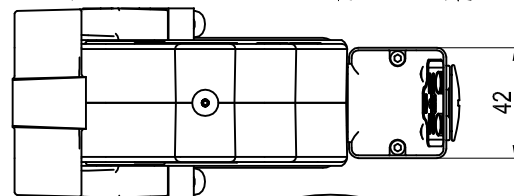
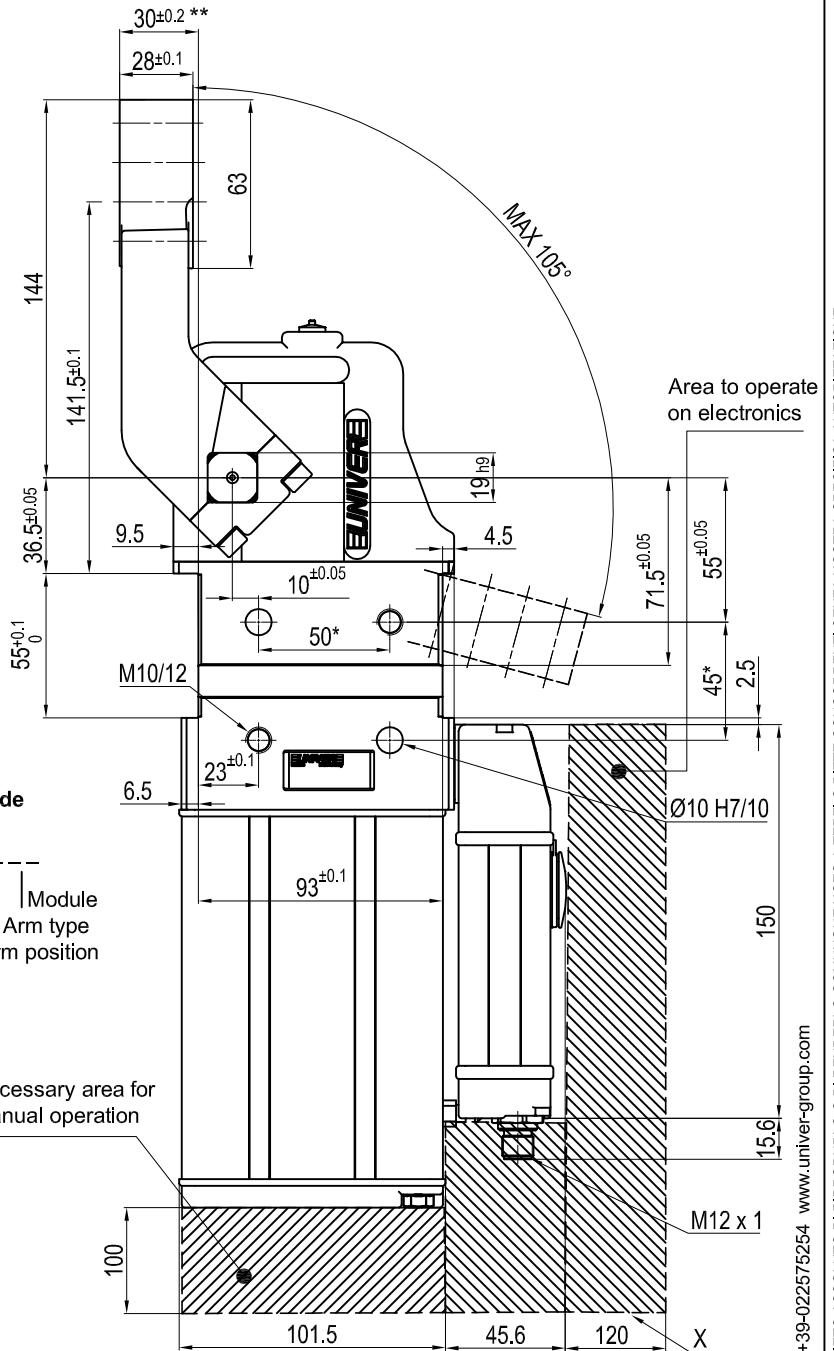


Ordering code

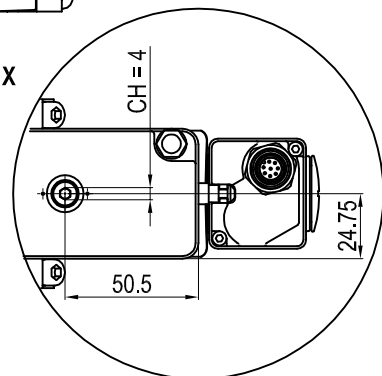
LAE 350 O _ _ _

- | Module
- | Arm type
- | Arm position
- | Size
- | Series

Necessary area for manual operation



SEEN BY X



CLAMP ARM TYPE :

D Right standard (wishbone)

C Central standard (wishbone)

S Left standard (wishbone)

* : TOLERANCE FOR DOWEL HOLES ± 0.02
FOR SCREW HOLES ± 0.1

** : TOLERANCE AT 80mm FROM PIVOT POINT

Temperature range : $5^{\circ} \div 40^{\circ}\text{C}$

Opening angles available : $105^{\circ} - 90^{\circ} - 75^{\circ} - 60^{\circ} - 45^{\circ} - 30^{\circ} - 15^{\circ}$

Work position : horizontal

Class protection : IP 65

| Size | Clamping Torque | Sec. to clamping point | Max weight |
|------|-----------------|------------------------|------------|
| 350 | 350 Nm | 1 sec x 90° | 4,3 Kg. |

Subject to technical modifications without notice