



Operation Manual

SI unit for PROFIBUS DP

PRODUCT NAME

EX260 Series

MODEL/ Series

SMC Corporation

Contents




Safety Instructions	2
How to Order	7
Summary of Product elements	8
Installation and Cabling	10
General instructions on installation	10
Connecting cables	11
LED indication and Settings	16
Troubleshooting and Maintenance	24
Specifications	28
Table of Specifications	28
Dimensions	30
Accessories	31

Safety Instructions

These safety instructions are intended to prevent hazardous situations and/or equipment damage. These instructions indicate the level of potential hazard with the labels of "Caution", "Warning" or "Danger". They are all important notes for safety and must be followed in addition to International standards (ISO/IEC), Japan Industrial Standards (JIS)^{*1)} and other safety regulations^{*2)}.

*1) ISO 4414: Pneumatic fluid power - - General rules relating to systems.
ISO 4413: Hydraulic fluid power - - General rules relating to systems.
IEC 60204-1: Safety of machinery - -Electrical equipment of machines. (Part 1: General requirements)
ISO 10218-1992: Manipulating industrial robots -Safety.
JIS B 8370: General rules for pneumatic equipment.
JIS B 8361: General rules for hydraulic equipment.
JIS B 9960-1: Safety of machinery - Electrical equipment of machines. (Part 1: General requirements)
JIS B 8433-1993: Manipulating industrial robots - Safety.
etc.

*2) Labor Safety and Sanitation Law, etc.

- | | | |
|-----------------------------------------------------------------------------------|------------------|------------------------------------------------------------------------------------------------------------------------|
|  | Caution : | CAUTION indicates a hazard with a low level of risk which, if not avoided, could result in minor or moderate injury. |
|  | Warning : | WARNING indicates a hazard with a medium level of risk which, if not avoided, could result in death or serious injury. |
|  | Danger : | DANGER indicates a hazard with a high level of risk which, if not avoided, will result in death or serious injury. |

Warning

1. The compatibility of the product is the responsibility of the person who designs the equipment or decides its specifications.

Since the product specified here is used under various operating conditions, its compatibility with specific equipment must be decided by the person who designs the equipment or decides its specifications based on necessary analysis and test results. The expected performance and safety assurance of the equipment will be the responsibility of the person who has determined its compatibility with the product. This person should also continuously review all specifications of the product referring to its latest catalog information, with a view to giving due consideration to any possibility of equipment failure when configuring the equipment.

2. Only personnel with appropriate training should operate machinery and equipment.

The product specified here may become unsafe if handled incorrectly. The assembly, operation and maintenance of machines or equipment including our products must be performed by an operator who is appropriately trained and experienced.

3. Do not service or attempt to remove product and machinery/equipment until safety is confirmed.

1. The inspection and maintenance of machinery/equipment should only be performed after measures to prevent falling or runaway of the driven objects have been confirmed.
2. When the product is to be removed, confirm that the safety measures as mentioned above are implemented and the power from any appropriate source is cut, and read and understand the specific product precautions of all relevant products carefully.
3. Before machinery/equipment is restarted, take measures to prevent unexpected operation and malfunction.

4. Contact SMC beforehand and take special consideration of safety measures if the product is to be used in any of the following conditions.

1. Conditions and environments outside of the given specifications, or use outdoors or in a place exposed to direct sunlight.
2. Installation on equipment in conjunction with atomic energy, railways, air navigation, space, shipping, vehicles, military, medical treatment, combustion and recreation, or equipment in contact with food and beverages, emergency stop circuits, clutch and brake circuits in press applications, safety equipment or other applications unsuitable for the standard specifications described in the product catalog.
3. An application which could have negative effects on people, property, or animals requiring special safety analysis.
4. Use in an interlock circuit, which requires the provision of double interlock for possible failure by using a mechanical protective function, and periodical checks to confirm proper operation.

Caution

1. The product is provided for use in manufacturing industries.

The product herein described is basically provided for peaceful use in manufacturing industries. If considering using the product in other industries, consult SMC beforehand and exchange specifications or a contract if necessary.
If anything is unclear, contact your nearest sales branch.

Limited warranty and Disclaimer/Compliance Requirements

The product used is subject to the following "Limited warranty and Disclaimer" and "Compliance Requirements".

Read and accept them before using the product.

Limited warranty and Disclaimer

1. The warranty period of the product is 1 year in service or 1.5 years after the product is delivered. ^{*3)}
Also, the product may have specified durability, running distance or replacement parts. Please consult your nearest sales branch.
2. For any failure or damage reported within the warranty period which is clearly our responsibility, a replacement product or necessary parts will be provided.
This limited warranty applies only to our product independently, and not to any other damage incurred due to the failure of the product.
3. Prior to using SMC products, please read and understand the warranty terms and disclaimers noted in the specified catalog for the particular products.

*3) Vacuum pads are excluded from this 1 year warranty.

A vacuum pad is a consumable part, so it is warranted for a year after it is delivered.

Also, even within the warranty period, the wear of a product due to the use of the vacuum pad or failure due to the deterioration of rubber material are not covered by the limited warranty.

Compliance Requirements

When the product is exported, strictly follow the laws required by the Ministry of Economy, Trade and Industry (Foreign Exchange and Foreign Trade Control Law).

Operator

- ◆ This operation manual has been written for those who have knowledge of machinery and apparatus that use pneumatic equipment and have full knowledge of assembly, operation and maintenance of such equipment.
- ◆ Please read this operation manual carefully and understand it before assembling, operating or providing maintenance to the product.

■Precautions

Warning

- Do not disassemble, modify (including changing the printed circuit board) or repair.
An injury or failure can result.
- Do not operate the product outside of the specifications.
Do not use for flammable or harmful fluids.
Fire, malfunction, or damage to the product can result.
Verify the specifications before use.
- Do not operate in an atmosphere containing flammable or explosive gases.
Fire or an explosion can result.
This product is not designed to be explosion proof.
- If using the product in an interlocking circuit:
 - Provide a double interlocking system, for example a mechanical system.
 - Check the product regularly for proper operation.Otherwise malfunction can result, causing an accident.
- The following instructions must be followed during maintenance:
 - Turn off the power supply.
 - Stop the air supply, exhaust the residual pressure and verify that the air is released before performing maintenance.Otherwise an injury can result.

Caution



- After maintenance is complete, perform appropriate functional inspections.
Stop operation if the equipment does not function properly.
Safety cannot be assured in the case of unexpected malfunction.
- Provide grounding to assure the safety and noise resistance of the Serial System.
Individual grounding should be provided close to the product with a short cable.

■NOTE

○Follow the instructions given below when designing, selecting and handling the product.

- The instructions on design and selection (installation, wiring, environment, adjustment, operation, maintenance, etc.) described below must also be followed.

Product specifications

- The direct current power supply to combine should be UL1310 Class2 power supply when conformity to UL is necessary.
- The SI unit is a  approved product only if they have a  mark on the body.
- Use the specified voltage.
Otherwise failure or malfunction can result.
- Reserve a space for maintenance.
Allow sufficient space for maintenance when designing the system.
- Do not remove any nameplates or labels.
This can lead to incorrect maintenance, or misreading of the operation manual, which could cause damage or malfunction to the product.
It may also result in non-conformity to safety standards.

Product handling

Installation

- Do not drop, hit or apply excessive shock to the fieldbus system.
Otherwise damage to the product can result, causing malfunction.
- Tighten to the specified tightening torque.
If the tightening torque is exceeded the mounting screws may be broken.
IP67 protection cannot be guaranteed if the screws are not tightened to the specified torque.
- Never mount a product in a location that will be used as a foothold.
The product may be damaged if excessive force is applied by stepping or climbing onto it.

Wiring

- Avoid repeatedly bending or stretching the cables, or placing heavy load on them.
Repetitive bending stress or tensile stress can cause breakage of the cable.
- Wire correctly.
Incorrect wiring can break the product.
- Do not perform wiring while the power is on.
Otherwise damage to the fieldbus system and/or I/O device can result, causing malfunction.
- Do not route wires and cables together with power or high voltage cables.
Otherwise the fieldbus system and/or I/O device can malfunction due to interference of noise and surge voltage from power and high voltage cables to the signal line.
Route the wires (piping) of the fieldbus system and/or I/O device separately from power or high voltage cables.
- Confirm proper insulation of wiring.
Poor insulation (interference from another circuit, poor insulation between terminals, etc.) can lead to excess voltage or current being applied to the product, causing damage.
- Take appropriate measures against noise, such as using a noise filter, when the fieldbus system is incorporated into equipment.
Otherwise noise can cause malfunction.

Environment

- Select the proper type of protection according to the environment of operation.
IP67 protection is achieved when the following conditions are met.
(1) The units are connected properly with fieldbus cable with M12 connector and power cable with M12 (M8) connector.
(2) Suitable mounting of each unit and manifold valve.
If using in an environment that is exposed to water splashes, please take measures such as using a cover.
If the product is to be used in an environment containing oils or chemicals such as coolant or cleaning solvent, even for a short time, it may be adversely affected (damage, malfunction etc.).
- Do not use the product in an environment where corrosive gases or fluids could be splashed.
Otherwise damage to the product and malfunction can result.
- Do not use in an area where surges are generated.
If there is equipment which generates a large amount of surge (solenoid type lifter, high frequency induction furnace, motor, etc.) close to the fieldbus system, this may cause deterioration or breakage of the internal circuit of the fieldbus system. Avoid sources of surge generation and crossed lines.
- When a surge-generating load such as a relay or solenoid is driven directly, use an fieldbus system with a built-in surge absorbing element.
Direct drive of a load generating surge voltage can damage the fieldbus system.
- The product is CE marked, but not immune to lightning strikes. Take measures against lightning strikes in the system.
- Prevent foreign matter such as remnant of wires from entering the fieldbus system to avoid failure and malfunction.
- Mount the product in a place that is not exposed to vibration or impact.
Otherwise failure or malfunction can result.
- Do not use the product in an environment that is exposed to temperature cycle.
Heat cycles other than ordinary changes in temperature can adversely affect the inside of the product.
- Do not expose the product to direct sunlight.
If using in a location directly exposed to sunlight, shade the product from the sunlight.
Otherwise failure or malfunction can result.
- Keep within the specified ambient temperature range.
Otherwise malfunction can result.
- Do not operate close to a heat source, or in a location exposed to radiant heat.
Otherwise malfunction can result.

Adjustment and Operation

- Set the switches by using a sharp-pointed screwdriver etc.
It may damage set switches.
- Perform settings suitable for the operating conditions.
Incorrect setting can cause operation failure.
For details of each setting, refer to page 17 to 18 of this manual.
- Please refer to the PLC manufacturer's manual etc. for details of programming and addresses.
For the PLC protocol and programming refer to the relevant manufacturer's documentation.

Maintenance

- Turn off the power supply, stop the supplied air, exhaust the residual pressure and verify the release of air before performing maintenance.
There is a risk of unexpected malfunction.
- Perform regular maintenance and inspections.
There is a risk of unexpected malfunction.
- After maintenance is complete, perform appropriate functional inspections.
Stop operation if the equipment does not function properly.
Otherwise safety is not assured due to an unexpected malfunction or incorrect operation.
- Do not use solvents such as benzene, thinner etc. to clean the each unit.
They could damage the surface of the body and erase the markings on the body.
Use a soft cloth to remove stains.
For heavy stains, use a cloth soaked with diluted neutral detergent and fully squeezed, then wipe up the stains again with a dry cloth.

How to Order

EX260-SPR

1

Connector type, output specification

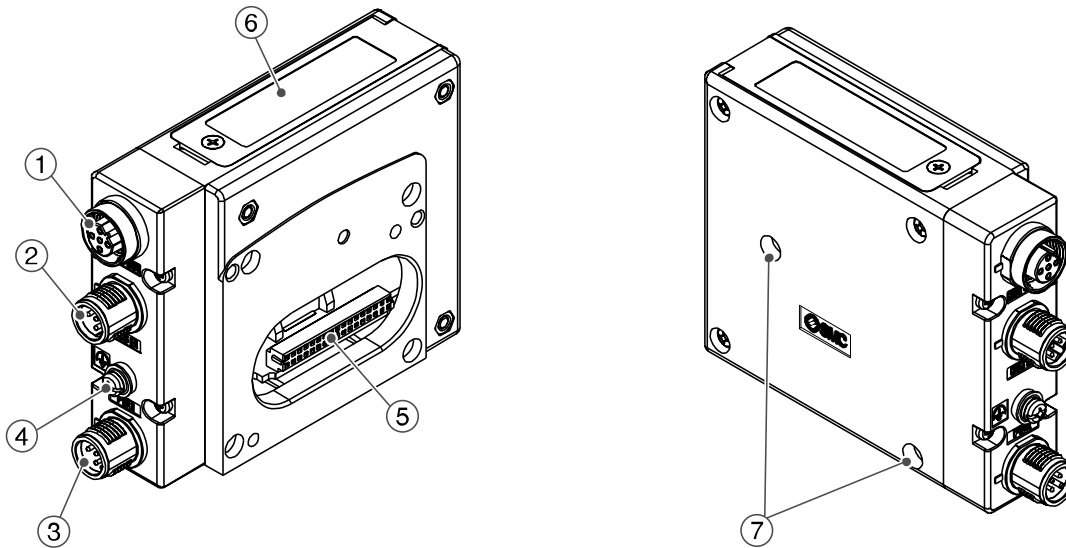
1	M12 connector, 32 outputs, PNP (negative common)
2	M12 connector, 32 outputs, NPN (positive common)
3	M12 connector, 16 outputs, PNP (negative common)
4	M12 connector, 16 outputs, NPN (positive common)
5	D-sub connector, 32 outputs, PNP (negative common)
6	D-sub connector, 32 outputs, NPN (positive common)
7	D-sub connector, 16 outputs, PNP (negative common)
8	D-sub connector, 16 outputs, NPN (positive common)

Fieldbus

PR	PROFIBUS DP
----	-------------

Summary of Product elements

< EX260-SPR1/-SPR2/-SPR3/-SPR4 >



No.	Element	Description
1	Fieldbus interface connector (BUS OUT)	PROFIBUS DP connection *1 (M12 5-pin socket, B-coded)
2	Fieldbus interface connector (BUS IN)	PROFIBUS DP connection *1 (M12 5-pin plug, B-coded)
3	Power supply connector	Power supply with load voltage for valves and operating voltage for SI unit (M12 5-pin plug, A-coded)
4	Ground terminal	Functional earth (M3 screw)
5	Output connector	Output signal interface for valve manifold
6	LED and switch	Bus status-specific and SI unit-specific LEDs *2 Switches for setting of node address and operating mode *2
7	Mounting hole	Mounting hole for connection to the valve manifold

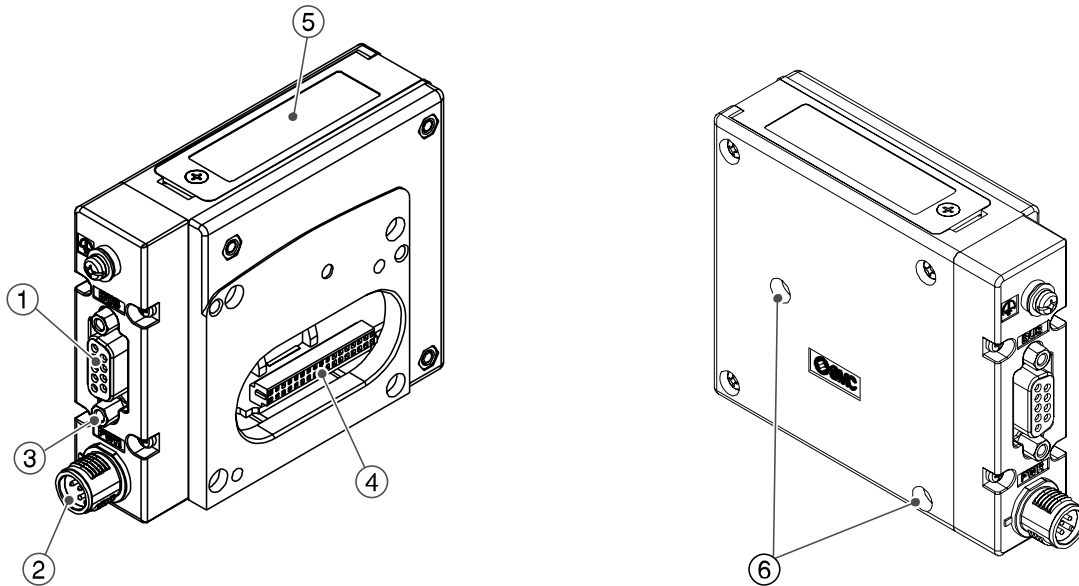
Accessories

Hexagon socket head cap screw	2pcs. M3x30 screw for connection to the valve manifold
Seal cap	1pc. seal cap for unused fieldbus interface connector (BUS OUT)

*1: Refer to page.11 for cabling.

*2: Refer to page 16-18 for the LED indication and settings.

< EX260-SPR5/-SPR6/-SPR7/-SPR8 >



No.	Element	Description
1	Fieldbus interface connector	PROFIBUS DP connection *1 (D-sub 9-pin socket)
2	Power supply connector	Power supply with load voltage for valves and operating voltage for SI unit (M12 5-pin plug, A-coded)
3	Ground terminal	Functional earth (M3 screw)
4	Output connector	Output signal interface for valve manifold
5	LED and switch	Bus status-specific and SI unit-specific LEDs *2 Switches for setting of node address and operating mode *2
6	Mounting hole	Mounting hole for connection to the valve manifold

Accessories

Hexagon socket head cap screw	2pcs. M3x30 screw for connection to the valve manifold
-------------------------------	--------------------------------------------------------

*1: Refer to page 12 for cabling.

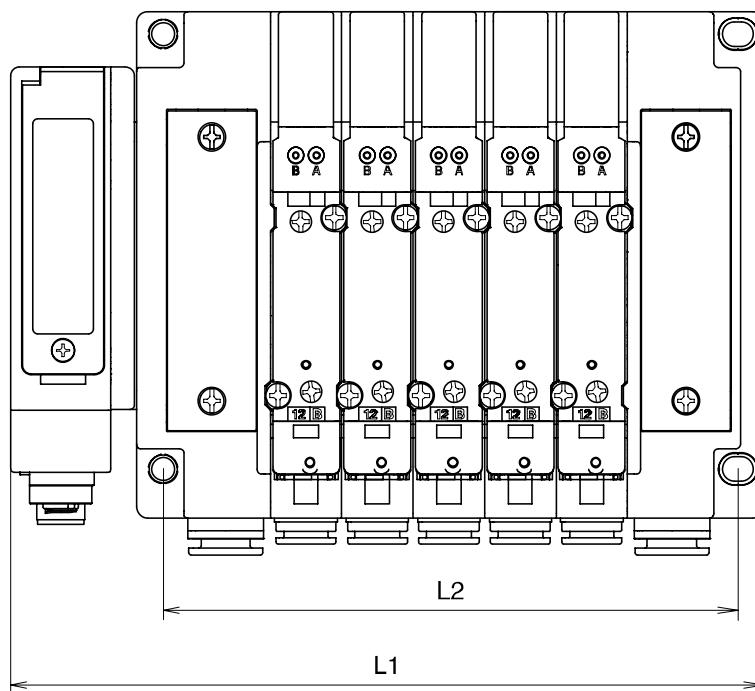
*2: Refer to page 16-18 for the LED indication and settings.

Installation and Cabling

■ General instructions on installation

Connect valve manifold to the SI unit.

● Dimensions for installation



n: number of valve stations

L \ n	1	2	3	4	5	6	7	8
L1		120.7	136.7	152.7	168.7	184.7	200.7	216.7
L2		80	96	112	128	144	160	176
L \ n	9	10	11	12	13	14	15	16
L1	232.7	248.7	264.7	280.7	296.7	312.7	328.7	344.7
L2	192	208	224	240	256	272	288	304

(mm)

The above table shows dimensions as an example for the SY5000 series valve manifold.

Connectable valve manifolds are the same as for EX250 series SI unit.

Refer to the EX250 series valve manifold section in the valve catalogue for valve manifold dimensions.

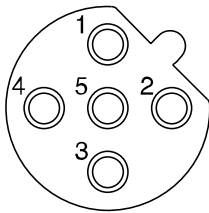
■ Connecting cables

Select the appropriate cables to mate with the connectors mounted on the SI unit.

Fieldbus interface connector layout

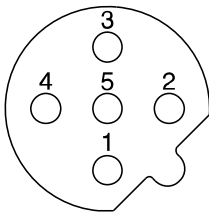
< EX260-SPR1/-SPR2/-SPR3/-SPR4 >

BUS OUT: M12 5-pin socket B-coded



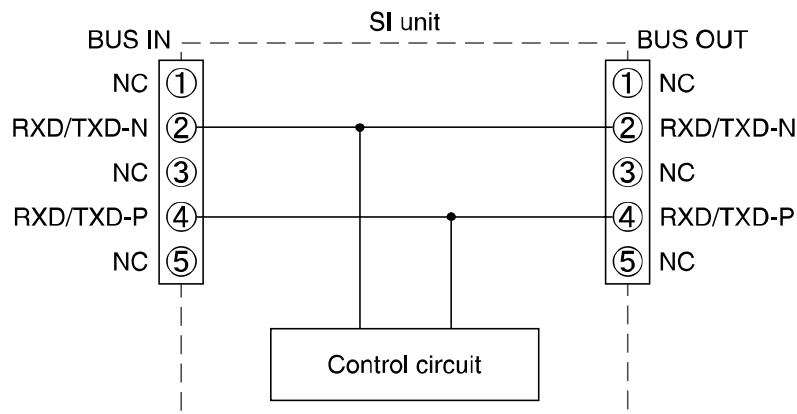
No.	Designation	Description
1	-	Unused
2	RXD/TXD-N	Receive/transmit data, negative
3	-	Unused
4	RXD/TXD-P	Receive/transmit data, positive
5	-	Unused

BUS IN: M12 5-pin plug B-coded



No.	Designation	Description
1	-	Unused
2	RXD/TXD-N	Receive/transmit data, negative
3	-	Unused
4	RXD/TXD-P	Receive/transmit data, positive
5	-	Unused

BUS IN and BUS OUT fieldbus interface connectors are connected inside the SI unit for a daisy-chaining structure as shown in the circuit below.

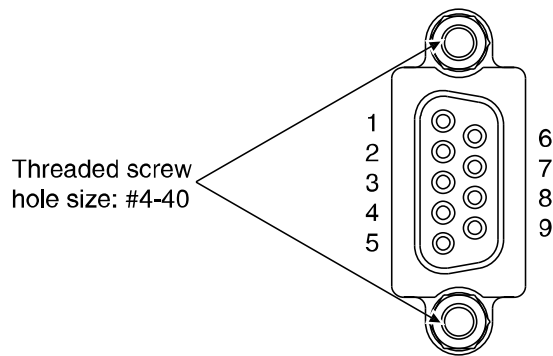


Note

Be sure to fit a seal cap on any unused connectors.
Proper use of the seal cap enables the enclosure to achieve IP67 specification.

< EX260-SPR5/-SPR6/-SPR7/-SPR8 >

BUS: D-sub 9-pin socket



No.	Designation	Description
1	-	Unused
2	-	Unused
3	RXD/TXD-P	Receive/transmit data, positive
4	-	Unused
5	DGND	Data ground (reference potential to VP)
6	VP	Power supply plus (P5V)
7	-	Unused
8	RXD/TXD-N	Receive/transmit data, negative
9	-	Unused

Use the PROFIBUS DP connector with bus cable.
 (e.g. 6ES7 972-0BA12-0XA0, manufactured by Siemens)

PROFIBUS DP bus cable

A shielded twisted pair cable for PROFIBUS DP should be used.
The maximum cable length depends on the transmission speed and the cable type used.

<PROFIBUS DP bus cable specification>

Cable: Shielded twisted pair cable (Type-A cable)

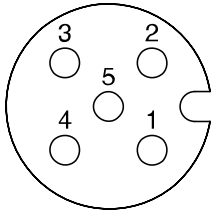
Impedance	135 to 165 Ω (3 to 20 MHz)
Capacitance between conductors	Less than 30 pF/m
Conductor resistance	110 Ω /km or less
Wire diameter	0.64 mm or more
Conductor area	0.34 mm ² or more

• Transmission speed and maximum cable length

Transmission speed [kbps]	9.6	19.2	45.45	93.75	187.5	500	1500	12000
Cable length (m)	1200				1000	400	200	100

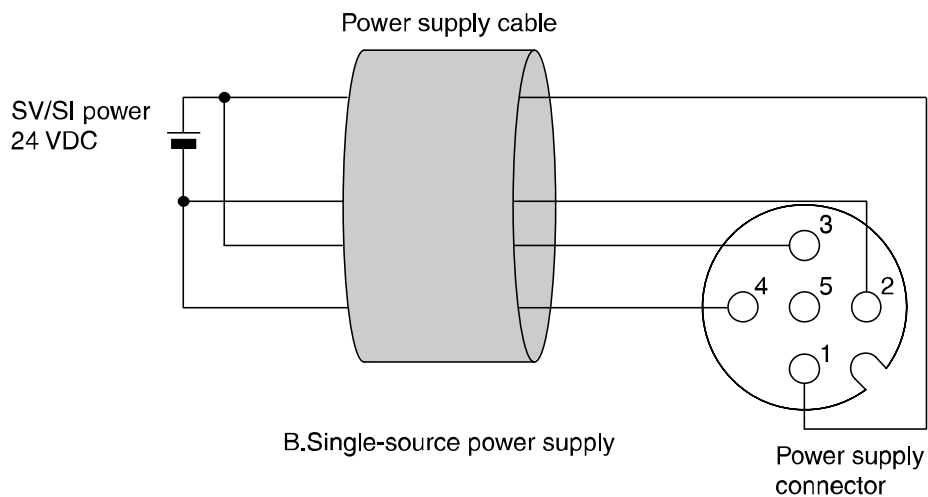
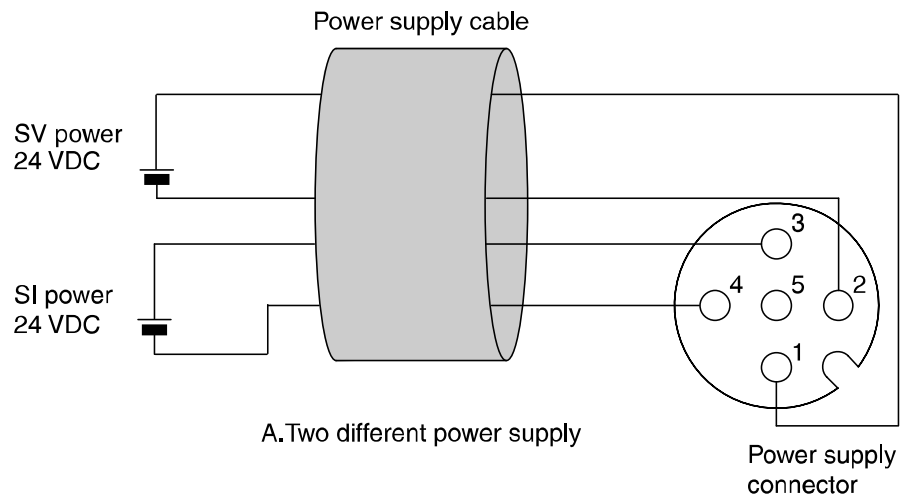
Power supply connector layout

PWR: M12 5-pin plug A-coded



No.	Designation	Description
1	SV24 V	+24 V for solenoid valve
2	SV0 V	0 V for solenoid valve
3	SI24 V	+24 V for SI unit operation
4	SI0 V	0 V for SI unit operation
5	-	Unused

Power-supply line for solenoid valve and power-supply line for SI unit operation are isolated. Be sure to supply power, respectively. Either single-source power or two different power supplies can be used.

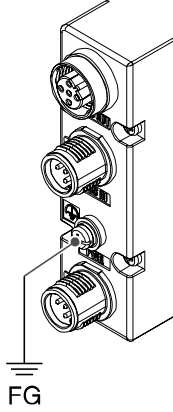


Note) Pay attention not to exceed the tolerance range of power supply voltage.

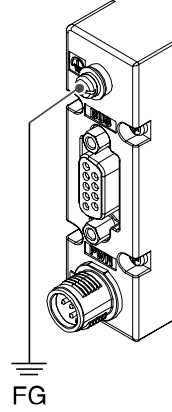
Ground terminal

Connect the ground terminal to ground.
Resistance to ground should be 100 ohms or less.

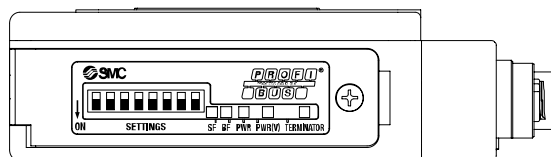
< EX260-SPR1/-SPR2/-SPR3/-SPR4 >



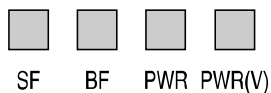
< EX260-SPR5/-SPR6/-SPR7/-SPR8 >



LED indication and Settings



■LED indication



LED	Description
SF	System fault
BF	BUS fault
PWR	Turns ON in green when SI unit operating voltage is supplied
PWR(V)	Turns ON in green when load voltage for the valve is supplied Turns OFF when load voltage for the valve is not supplied or outside tolerance range (19 V or less)

<Indication of communication status>

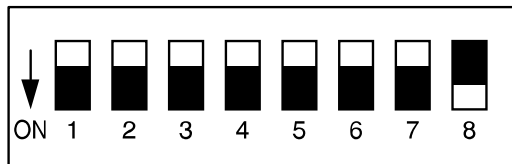
SF status	BF status	Description
<input type="checkbox"/> OFF	<input type="checkbox"/> OFF	No fault. Communication connection to the master is established
<input type="checkbox"/> OFF	<input checked="" type="checkbox"/> Red ON	SI unit can not detect a transmission rate and the connection to the DP master has failed
<input type="checkbox"/> OFF	<input checked="" type="checkbox"/> Red flashing	SI unit has detected the transmission rate, but is not addressed by the DP master
<input checked="" type="checkbox"/> Red ON	<input type="checkbox"/> OFF	SI unit-related diagnostic error is detected (load power for the valve is not supplied or outside tolerance range)
<input checked="" type="checkbox"/> Red ON	<input checked="" type="checkbox"/> Red ON	SI unit PROFIBUS DP address outside range
<input checked="" type="checkbox"/> Red ON	<input checked="" type="checkbox"/> Red flashing	The configuration data sent from the DP master to the SI unit does not agree with the SI unit configuration

■ PROFIBUS DP address setting and Fail safe setting (SETTINGS)

Set the PROFIBUS DP node address and fail safe mode, i.e. reaction of outputs to the communication error, of the SI unit using the 8-element switch.

Note

1. To set with switch, use a small blade screwdriver to flip the switches
2. Be sure to switch off the power before setting the switches.
3. Be sure to set with the switch before use.



0: OFF 1: ON

Switch No.	No. 1	No. 2	No. 3	No. 4	No. 5	No. 6	No. 7	No. 8	
ADDRESS	-	64	32	16	8	4	2	1	
	1	0	0	0	0	0	0	1	
	2	0	0	0	0	0	1	0	
	3	0	0	0	0	0	1	1	
	4	0	0	0	0	1	0	0	
	:	:	:	:	:	:	:	:	
125	1	1	1	1	1	0	1		
OUTPUT STATE	CLEAR	0							
	HOLD	1							

<PROFIBUS DP address setting (ADDRESS)>

The PROFIBUS DP address is binary coded and can be set from 1 to 125 using the 8-element switch.

* Factory default setting is Address 1.

<Fail safe setting (OUTPUT STATE)>

Set the reaction of outputs to the communication error.

CLEAR: Clear all outputs.

HOLD: Hold the last state before communication error.

* Factory default setting is CLEAR.

■ Terminator

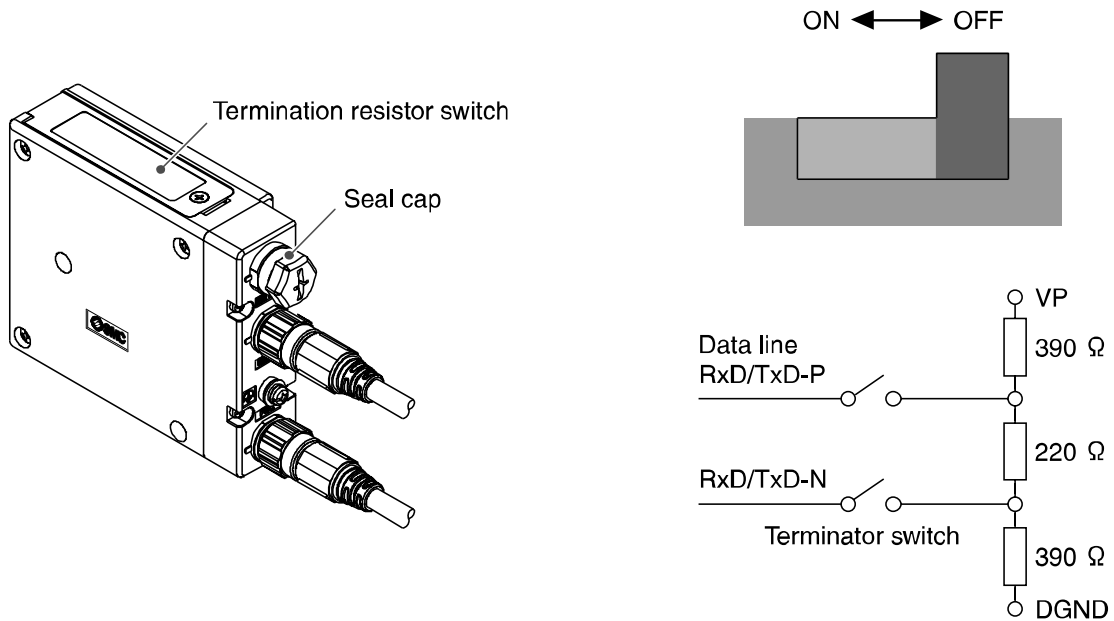
A bus termination is required at both ends of the PROFIBUS DP bus segment.

< EX260-SPR1/-SPR2/-SPR3/-SPR4 >

The bus termination switch is built-in to EX260-SPR1/-SPR2/-SPR3/-SPR4.

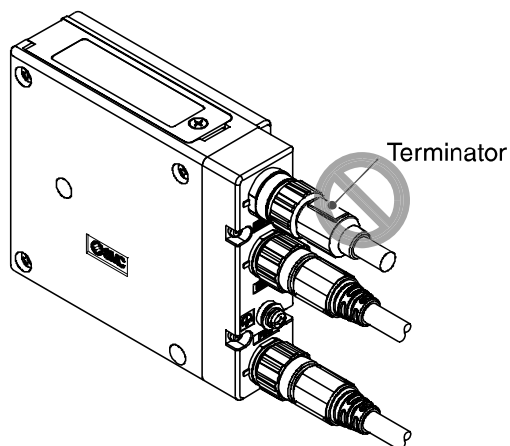
Switch it ON if the SI unit is at the end of the fieldbus segment.

*: Factory default setting is OFF.



Note

Be sure to fit a seal cap on any unused connectors.
Proper use of the seal cap enables the enclosure to achieve IP67 specification.



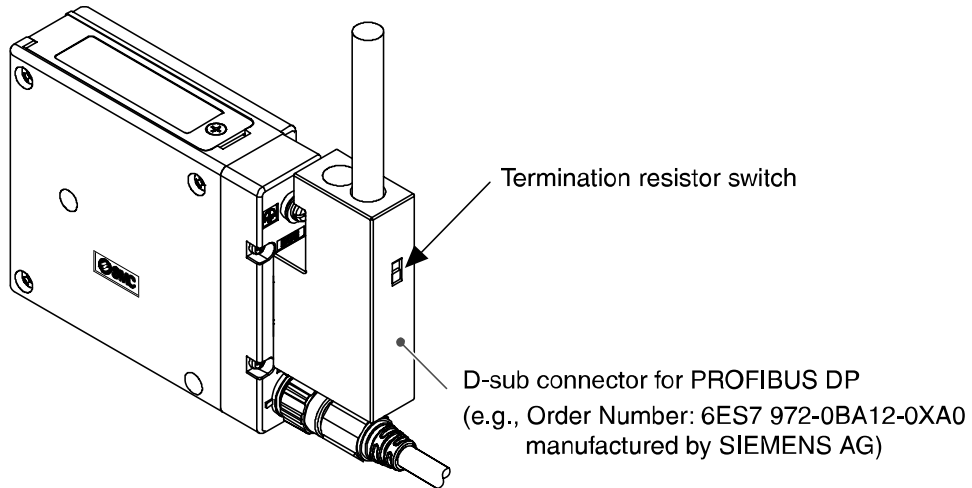
Note

An external termination resistor should not be used.
If an external termination resistor is used, the termination resistor value in the SI unit will be outside the specified range. A network communication error may occur.

< EX260-SPR5/-SPR6/-SPR7/-SPR8 >

EX260-SPR5/-SPR6/-SPR7/-SPR8 do not have a built-in termination resistor.

Termination is required on the outside of the SI unit. A termination switch built-in to the PROFIBUS DP D-sub connector may be used.



■ Configuration

In order to configure the SI unit in the PROFIBUS DP network, the appropriate device master file (GSD file) for the SI unit will be required.

The current GSD file can be found on the SMC website (URL <http://www.smcworld.com>).

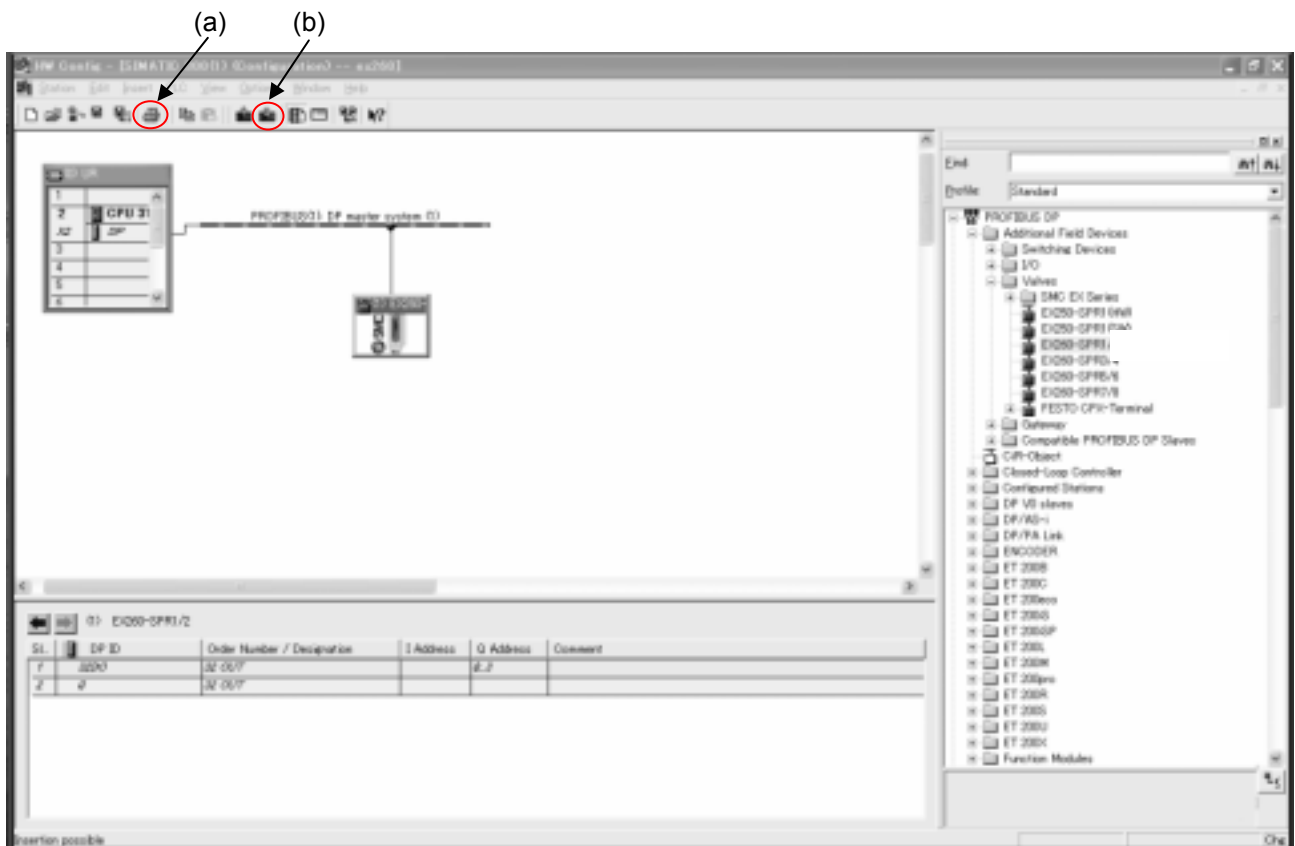
GSD file

	Part number	GSD file
1	EX260-SPR1/-SPR2	Smc_1430.gsd
2	EX260-SPR3/-SPR4	Smc_1431.gsd
3	EX260-SPR5/-SPR6	Smc_1432.gsd
4	EX260-SPR7/-SPR8	Smc_1433.gsd

The following sections describe as an example the main configuration steps with the STEP7 software.

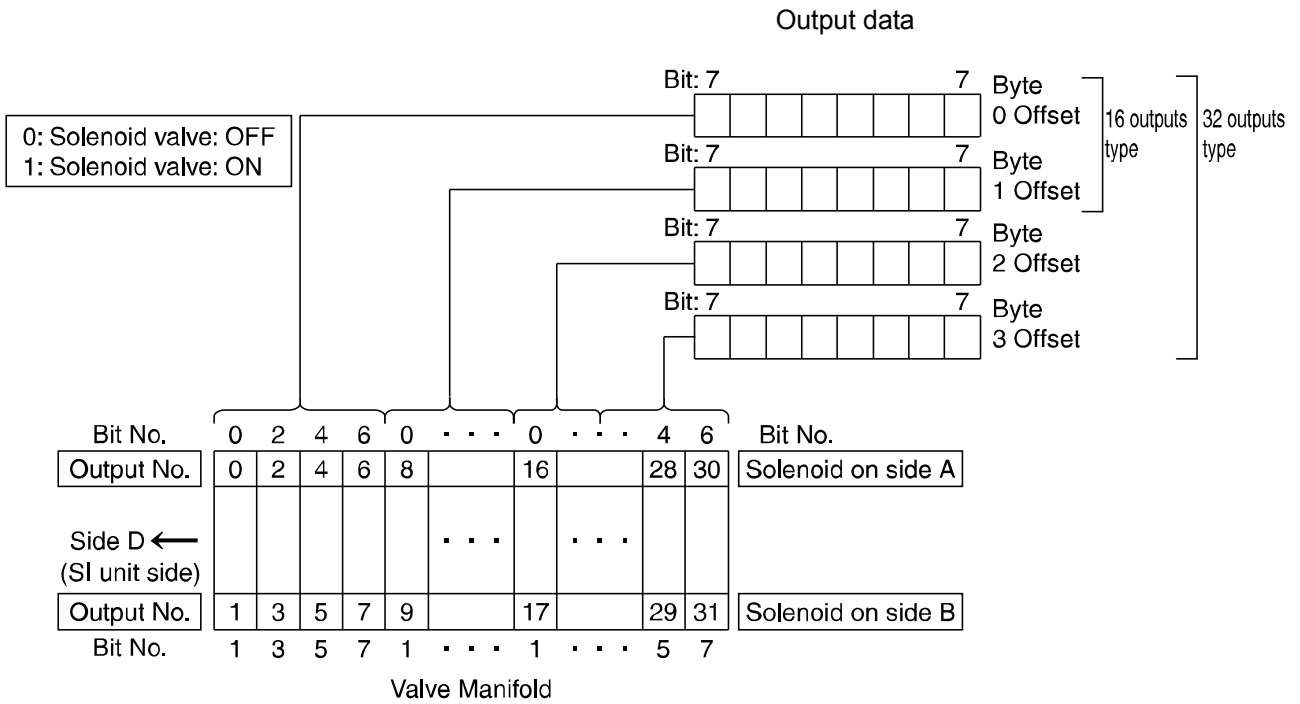
- (1) Copy the GSD file for the SI unit (Smc_143*.gsd) into the directory on your PC.
- (2) Start up STEP7, and execute "Options" – "Install GSD Files" from the HW Config tools.
- (3) Open "View" and "Catalog", then an icon "Valves" is added underneath PROFIBUS DP – Additional Field Devices. Drag and drop "EX260-SPR" under the icon "Valves", then the icon will be added into the PROFIBUS DP line.
- (4) Download the setting into the PLC.
 - Click the icon (a) "Save and Compile" and compile.
 - After compiling is completed, click the icon (b) "Download to Module" and download.

Now the configuration is complete.



STEP7 software is manufactured by Siemens AG.
STEP7 is a registered trademark for Siemens AG.

■ Output number assignment



*: The output number refers to the solenoid position on the manifold and starts at zero.

*: Standard wiring on the manifold is for double-solenoid valves and output number starts A side and B side in that order as shown in the figure a.

If you mount a single-solenoid valve on the standard wiring manifold, output number for B side valve is skipped.

*: Custom wiring for mixed mounting single-solenoid valves and double-solenoid-valves can be specified with a Wiring Specification Sheet. Example wiring is shown in the figure b.

*: Bit status "0" and "1" on a data corresponds solenoid valve status ON and OFF (0: OFF, 1: ON), and output number starts at zero from LSB (least significant bit).

fig.a

	No.	Station	No.
Double	4	3	5
Single	2	2	3 free
Double	0	1	1

fig.b

	No.	Station	No.
Double	3	3	4
Single	2	2	-
Double	0	1	1

■Diagnostic information

The EX260 SI unit can support 8 bytes of diagnostic information, 6 bytes standard diagnostic information and 2 bytes SI unit-related diagnostic information.

Diagnostic information can be requested by the DP master from the SI unit, and such system fault states can be indicated by the SF LED.

Supported SI unit-specific status is as follows:

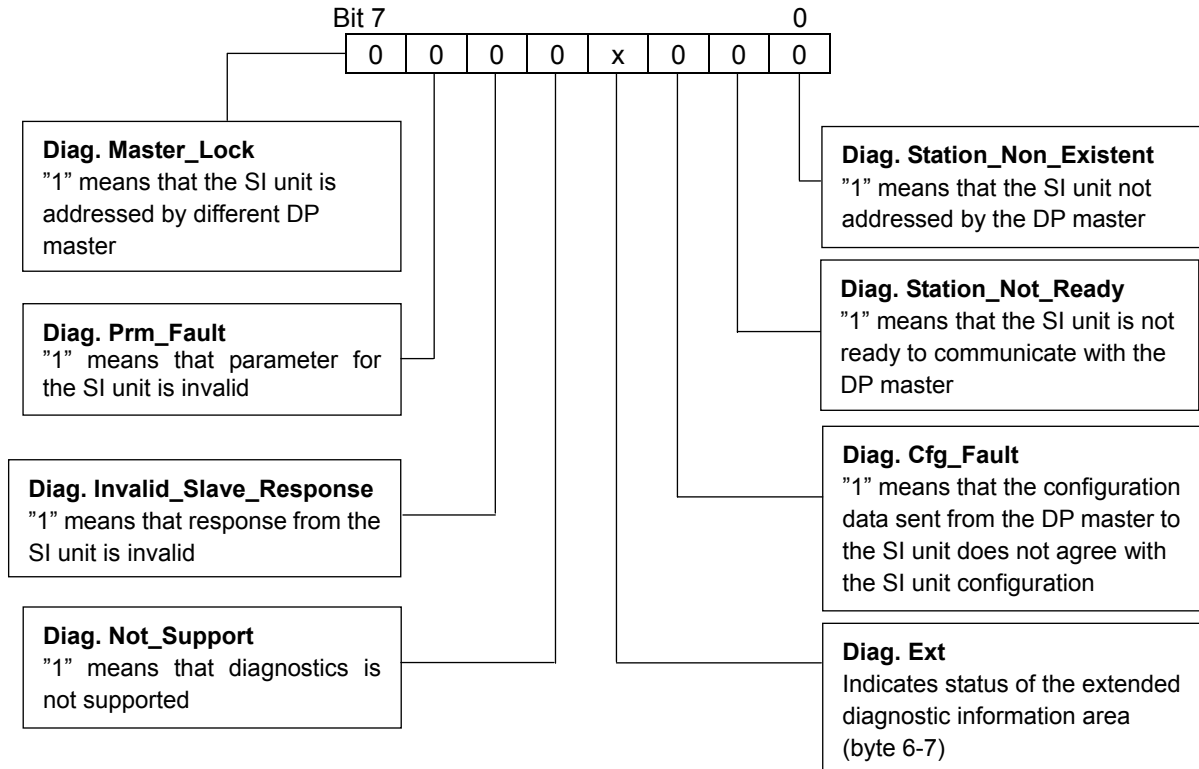
Function	Description
Solenoid valve power supply voltage monitoring	Detects when load voltage for the valve is not supplied or outside tolerance range (19 V or less)

Refer to the DP master's operation manual for details of how to monitor diagnostic information through the DP master.

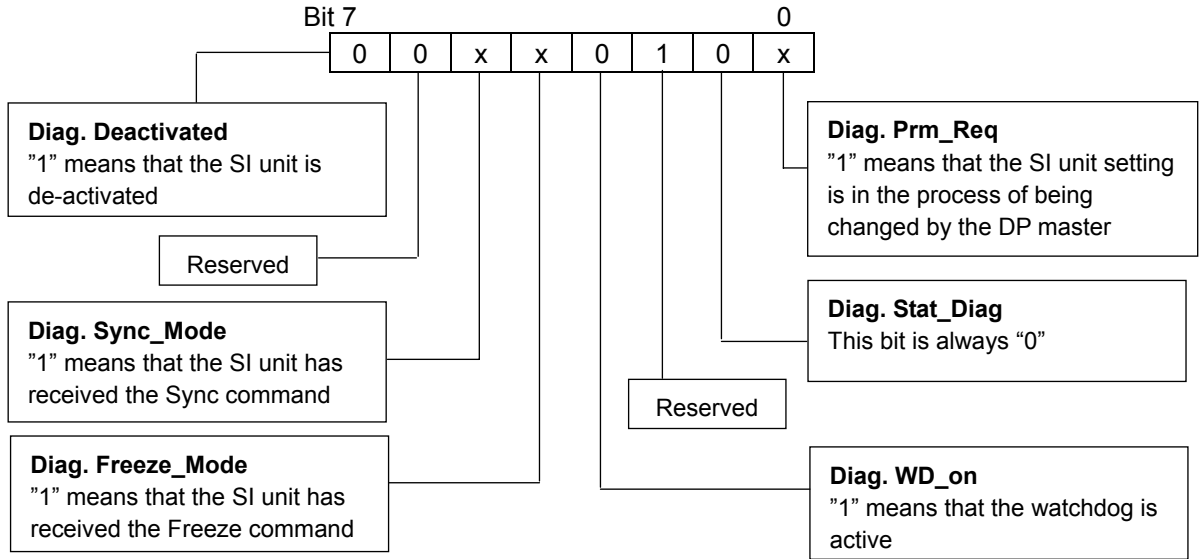
The following shows detailed diagnostic information.

(Bit status shown in the byte table is a default value. x means variable.)

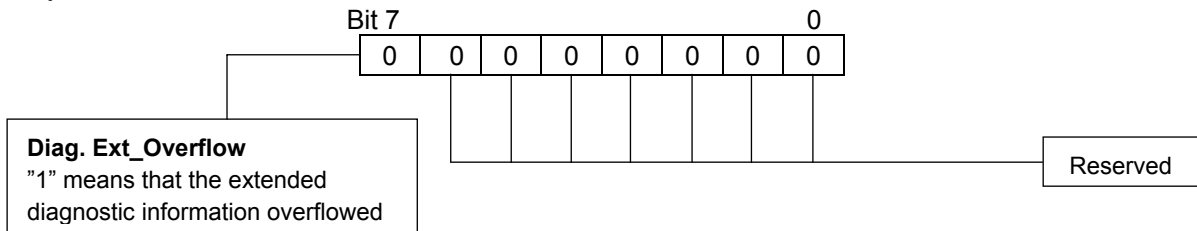
Byte0 : Station Status 1



Byte1 : Station Status 2



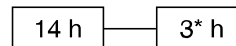
Byte2 : Station Status 3



Byte3: Diag.Master_Add
Shows the DP master address.

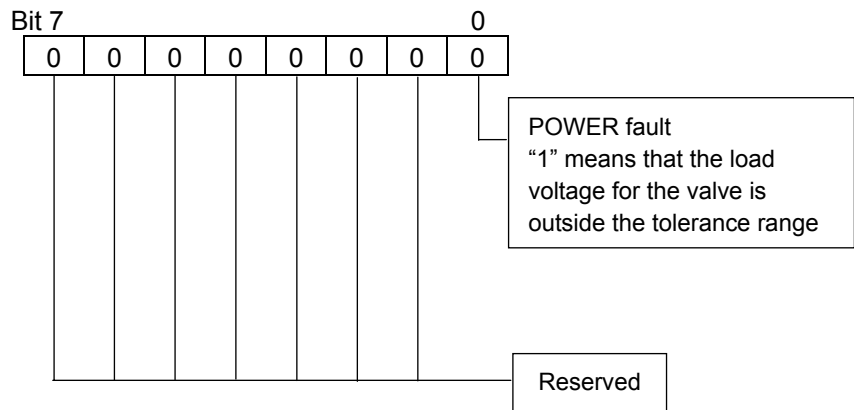


Byte4, 5: Ident_Number
Shows the SI unit address.



Byte6: Diag.Header
Shows the supported byte count of the extended diagnostic data. (two bytes fixed)

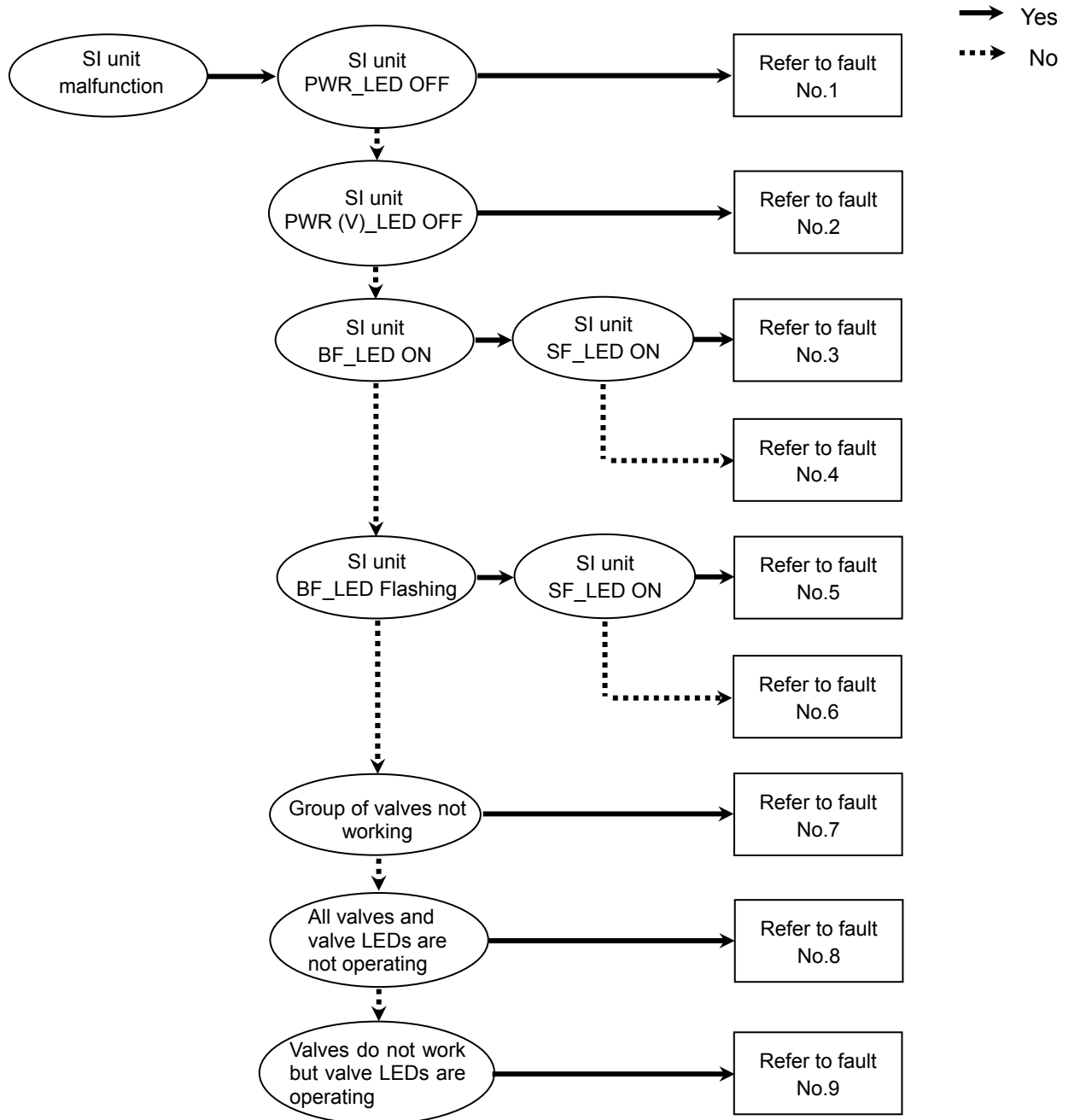
Byte7: SI unit status information



Troubleshooting and Maintenance

■ Troubleshooting chart

When any malfunction is observed, it is recommended to perform the following troubleshooting.



■ Troubleshooting table

Fault No.1

Fault	Probable cause	Recommended error handling	Recommended action
SI unit PWR_LED OFF	Defective power cable wiring for SI unit operation	Check the condition of the power cable wiring to the SI unit.	Re-tighten the power cable. (Replace the cable if it is broken)
			Correct the power cable wiring layout.
	SI unit operating voltage is not supplied	Check the condition of the supply voltage to the SI unit.	Supply 24 VDC +/-10% to the SI unit.

Fault No.2

Fault	Probable cause	Recommended error handling	Recommended action
SI unit PWR(V)_LED OFF	Defective power cable wiring for the solenoid valve	Check the condition of the power cable wiring for the valve.	Re-tighten the power cable. (Replace the cable if it is broken)
			Correct the power cable wiring layout.
	Load voltage for the valve is not supplied	Check the condition of the supply voltage for the valve.	Supply 24 VDC +10%/-5% to the valve.

Fault No.3

Fault	Probable cause	Recommended error handling	Recommended action
SI unit BF_LED ON SF_LED ON	Invalid PROFIBUS address on the SI unit	Check the PROFIBUS address setting on the SI unit.	Set the valid PROFIBUS address (1 to 125) on the SI unit.

Fault No.4

Fault	Probable cause	Recommended error handling	Recommended action
SI unit BF_LED ON SF_LED OFF	The connection to the DP master has failed.	Check the condition of the bus cable wiring, and there is no broken bus cable.	Re-tighten the bus cable. (Replace the cable if it is broken)
		Check that the bus cable length is within specification. Check that the bus termination is correctly installed at both ends of PROFIBUS DP bus segment. Check that the certified PROFIBUS cable is used.	Configure bus cables as specified by PROFIBUS DP specification.
		Check that there is no noise source or high voltage line around the bus cables.	Keep noise sources away from bus cable.

Fault No.5

Fault	Probable cause	Recommended error handling	Recommended action
SI unit BF_LED Flashing SF_LED ON	Invalid configuration data	Check if the configured setup to the SI unit by DP master match the actual setup of the SI unit.	Configure the SI unit by DP master using valid GSD file.

Fault No.6

Fault	Probable cause	Recommended error handling	Recommended action
SI unit BF_LED Flashing SF_LED OFF	Missing configuration	Check if the configured SI unit address on the DP master match the actual SI unit address.	Match the actual SI unit address with the configured SI unit address on the DP master.

Fault No.7

Fault	Probable cause	Recommended error handling	Recommended action
Group of valves not working	Too many valves	Check if solenoid count does not exceed the allowable number. This depends on the SI unit model and valve series. Allowable solenoid number by valve series: SY/SV series: 32 points VQC/S0700 series: 24 points	Keep the number of mounted solenoid valves within specification.

Fault No.8

Fault	Probable cause	Recommended error handling	Recommended action
All valves and valve LEDs are not operating	Poor connection between SI unit and valve manifold	Check if there are any loose screws making the connection between the SI unit and the valve manifold	Tighten the screws with the specified tightening torque (i.e. 0.6 Nm) and make sure there is no gap between the SI unit and the valve manifold.
	Mismatch polarity between solenoid valve and SI unit output	Check if the solenoid valve common specification matches the output polarity of the SI unit.	Match polarity between solenoid valve and SI unit output.
	Defective solenoid valve	Follow the troubleshooting for the solenoid valve.	Same as left.

Fault No.9

Fault	Probable cause	Recommended error handling	Recommended action
Valves do not work but valve LEDs are operating	Mismatch polarity between solenoid valve and SI unit output	Check if the solenoid valve common specification match the output polarity of the SI unit.	Match polarity between solenoid valve and SI unit output.

■ Maintenance

Replacement of the SI unit

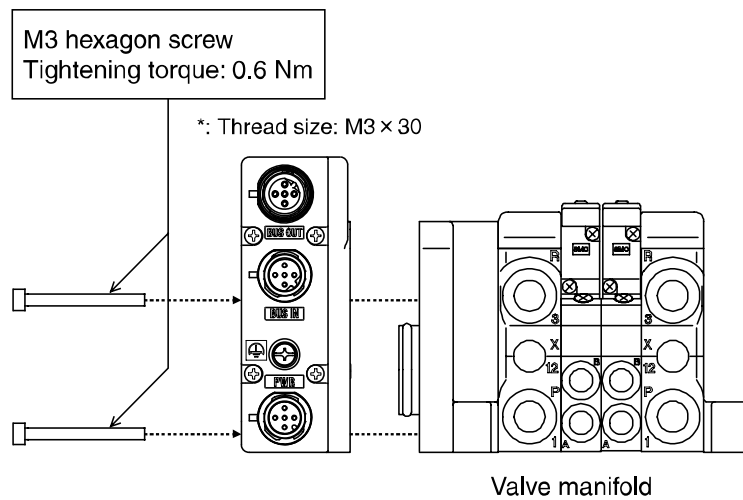
- Remove the M3 hexagon screws from the SI unit and release the SI unit from the valve manifold.
- Replace the SI unit.
- Tighten the screws with the specified tightening torque. (0.6 Nm)

Precautions for maintenance

- (1) Be sure to switch off the power.
- (2) Check there is no foreign matter inside the SI unit.
- (3) Check there is no damage and no foreign matter on the gasket.
- (4) Be sure to tighten the screws with the specified torque

If the SI unit is not assembled properly, inside PCBs may be damaged or liquid and/or dust may enter into the unit.

Assembly and disassembly of the SI unit



Specifications

■ Table of Specifications

General specifications

Item	Specifications
Ambient temperature	-10 to +50 °C
Ambient humidity	35 to 85%RH (No condensate)
Ambient temperature for storage	-20 to +60 °C
Vibration resistance	10 to 57 Hz 0.3 mm (Constant amplitude) 57 to 150 Hz 50 m/s ² (Constant acceleration)
Impact resistance	Peak value 150 m/s ² applied for 11 ms three times each in X, Y and Z directions.
Withstand voltage	500 VAC applied for 1 minute
Insulation resistance	500 VDC, 10 MΩ or more
Operating atmosphere	No corrosive gas
Pollution degree	Pollution degree 2
Weight	200g or less

Electrical specifications

Item		Specifications	
Current consumption in power supply voltage range	Current consumption of control power supply	21.6 to 26.4 VDC 0.1 A max.	
	Solenoid valve power supply	22.8 to 26.4 VDC 2.0 A or less, according to the solenoid valve station specification	
Solenoid valve connecting specification	Output type	EX260-SPR1/-SPR3/-SPR5 /-SPR7	PNP (negative common)
		EX260-SPR2/-SPR4/-SPR6 /-SPR8	NPN (positive common)
	Connected load	Solenoid valve with light and surge voltage suppressor of 24 VDC and 1.5 W or less (manufactured by SMC)	
	Insulation type	Photo coupler insulation type	
	Residual voltage	0.4 VDC or less	

Network communication specifications

Item		Specifications
Protocol		PROFIBUS DP (EN50170, EN50254)
Transmission speed		9.6, 19.2, 45.45, 93.75, 187.5, 500, 1500, 3000, 6000, 12000 (kbps)
Device type		DP slave
Number of outputs	EX260-SPR1/-SPR2/-SPR5/-SPR6	32 outputs
	EX260-SPR3/-SPR4/-SPR7/-SPR8	16 outputs
Configuration file	EX260-SPR1/-SPR2	Smc_1430.gsd
	EX260-SPR3/-SPR4	Smc_1431.gsd
	EX260-SPR5/-SPR6	Smc_1432.gsd
	EX260-SPR7/-SPR8	Smc_1433.gsd

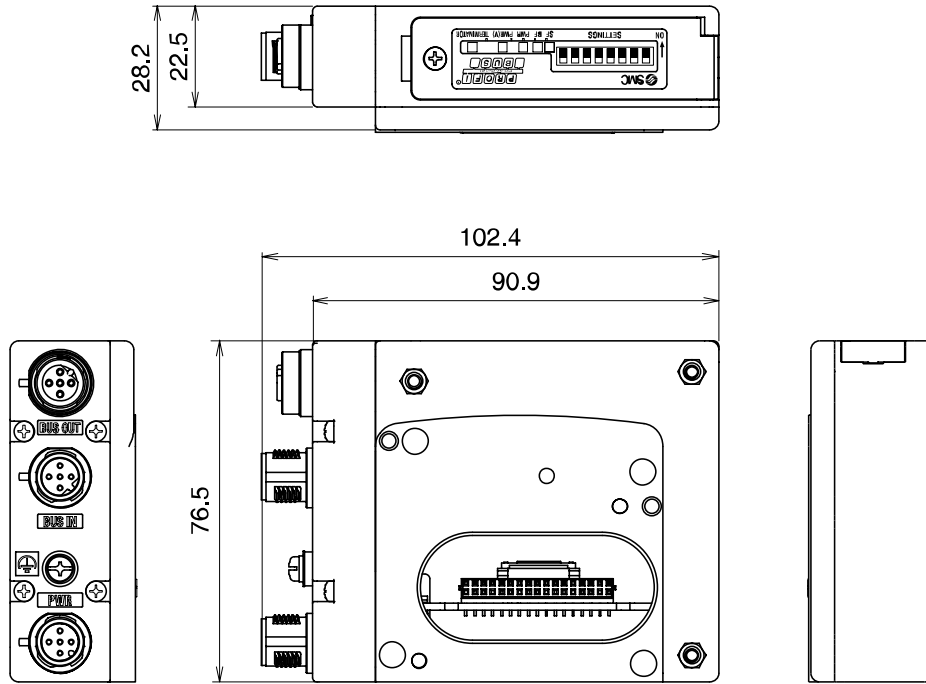
Connectable valve series

Valve series	
SY series	SY3000 , SY5000
VQC series	VQC1000 , VQC2000 , VQC4000
SV series	SV1000, SV2000, SV3000 (10 type tie-rod base)
S0700 series	S0700

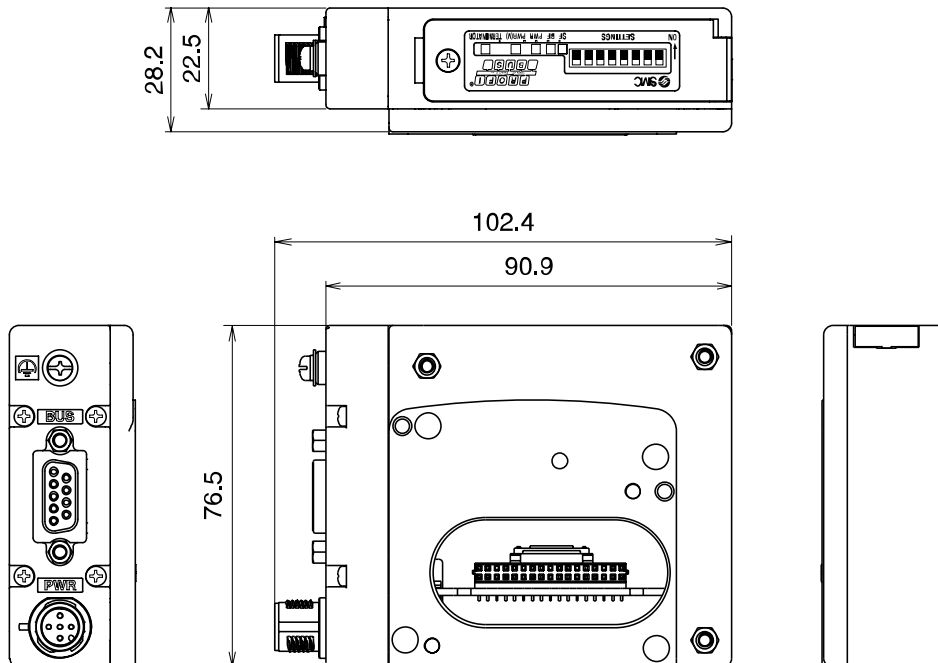
* The valve manifolds that can be connected are the same as those connectable to EX250 series.

Dimensions

•EX260-SPR1/-SPR2/-SPR3/-SPR4



•EX260-SPR5/-SPR6/-SPR7/-SPR8



Accessories

Connector cable

• Compatible connectors for EX260-SPR1/-SPR2/-SPR3/-SPR4

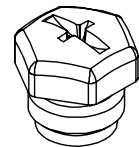
	SI unit connector	Compatible connector			
		Description	Part number	Specifications	Manufacturer
1	Fieldbus interface connector (BUS OUT)	Communication cable for PROFIBUS DP	PCA-1557691	Connector: M12 straight Cable: 5m	SMC
		Fieldwireable connector for PROFIBUS DP	PCA-1557701	Connector: M12 straight	
2	Fieldbus interface connector (BUS IN)	Communication cable for PROFIBUS DP	PCA-1557688	Connector: M12 straight Cable: 5m	
		Fieldwireable connector for PROFIBUS DP	PCA-1557714	Connector: M12 straight	
3	Power connector	Cable with power supply connector	EX500-AP010-S	Connector: M12 straight Cable: 1m	
			EX500-AP050-S	Connector: M12 straight Cable: 5m	
			EX500-AP010-A	Connector: M12 angle Cable: 1m	
			EX500-AP050-A	Connector: M12 angle Cable: 5m	

• Compatible connectors for EX260-SPR5/-SPR6/-SPR7/-SPR8

	SI unit connector	Compatible connector			
		Description	Part number	Specifications	Manufacturer
1	Fieldbus interface connector (BUS)	D-sub connector	6ES7 972-0BA12-0XA0	RS485 BUS connector	SIEMENS
2	Power connector	Cable with power connector	EX500-AP010-S	Connector: M12 straight Cable: 1m	SMC
			EX500-AP050-S	Connector: M12 straight Cable: 5m	
			EX500-AP010-A	Connector: M12 angle Cable: 1m	
			EX500-AP050-A	Connector: M12 angle Cable: 5m	

Seal cap (10 pcs.)

The seal cap can be used to protect the opening M12 size connector socket, i.e. M12 "BUS OUT" connector on the EX260-SPR1/-SPR2/-SPR3/-SPR4. When M12 "BUS OUT" connector is not used, the seal cap can keep the SI unit under IP67 rated protection.
(One seal cap will be attached to the SI unit EX260-SPR1/-SPR2/-SPR3/-SPR4 when shipped from factory.)



Description	Part No.	Specification
Seal cap	EX9-AWTS	For M12 connector socket: 10pcs.

Revision history
Revision A: Revise some wording

SMC Corporation

Akihabara UDX 15F,
4-14-1, Sotokanda, Chiyoda-ku, Tokyo 101-0021, JAPAN
Phone: +81 3-5207-8249 Fax: +81 3-5298-5362
URL <http://www.smcworld.com>

Note: Specifications are subject to change without prior notice and any obligation on the part of the manufacturer.
© 2010 SMC Corporation All Rights Reserved

