

60 Hz



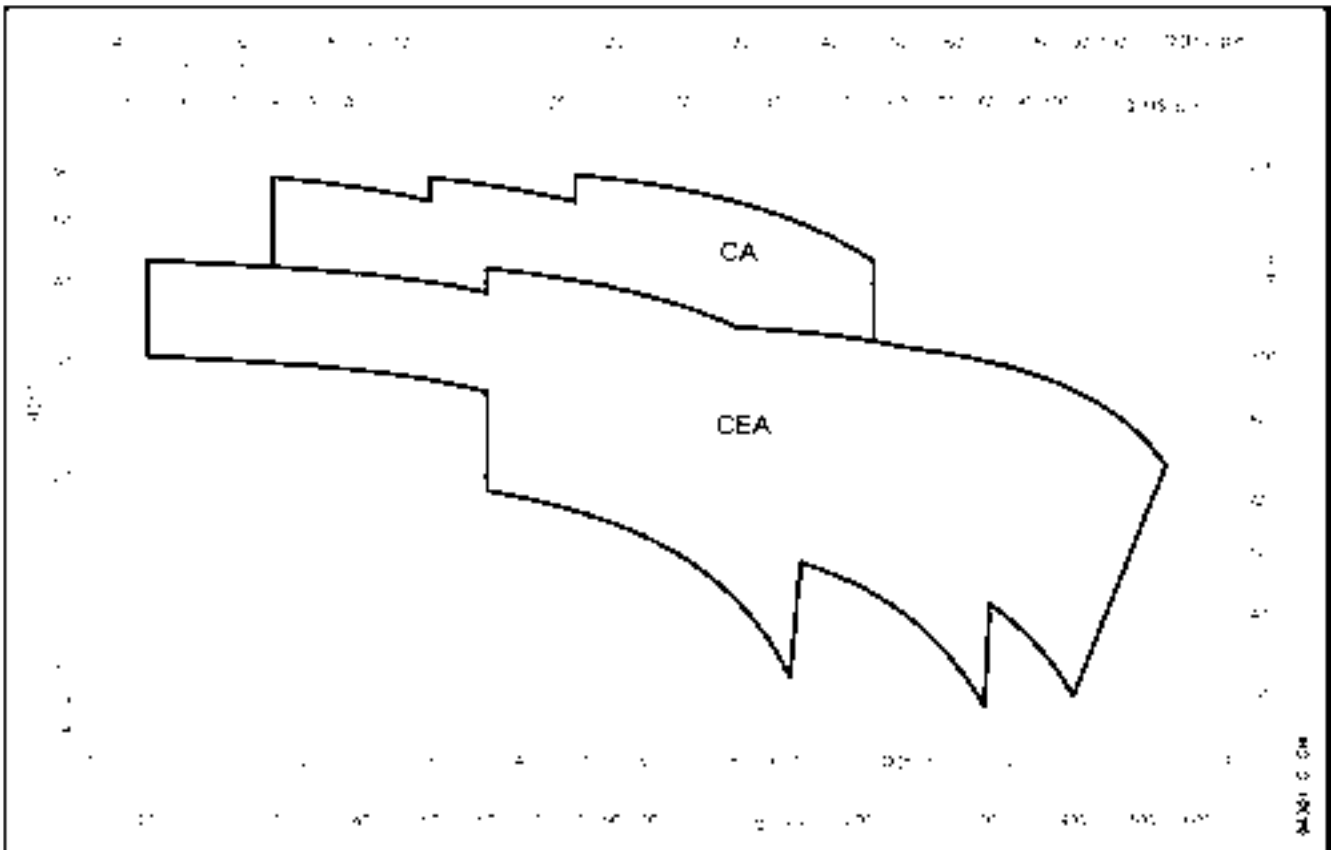
CEA-CA Series CEA(N)-CA(N) made of AISI 316

SINGLE AND TWIN-IMPELLER CENTRIFUGAL ELECTRIC PUMPS
EQUIPPED WITH IE2/IE3 MOTORS COMPLYING WITH REGULATION (EC) n. 640/2009

Cod. 191013651 Rev.C Ed.10/2012

 **LOWARA**
a xylem brand

**CEA-CA - CEA(N)-CA(N) SERIES
HYDRAULIC PERFORMANCE RANGE AT 60 Hz**



CONTENTS

CEA-CEA(N) Series Specifications	5
List of Models and Table of Materials CEA-CEA(N) Series	7
Mechanical Seal CEA-CEA(N) Series	8
Hydraulic Performance Table and Electrical Data CEA-CEA(N) Series	9
Hydraulic Performance Range CEA-CEA(N) Series at 60 Hz	12
Dimensions and Weights CEA-CEA(N) Series	17
CA-CA(N) Series Specifications	19
List of Models and Table of Materials CA-CA(N) Series	21
Mechanical Seal CA-CA(N) Series	22
Hydraulic Performance Table and Electrical Data CA-CA(N) Series	23
Hydraulic Performance Range CA-CA(N) Series at 60 Hz	26
Dimensions and Weights CA-CA(N) Series	30
Technical Appendix	31

Single-Impeller Centrifugal Electric Pumps

CEA-CEA(N) 60 Hz Series



MARKET SECTORS

CIVIL, AGRICULTURAL, INDUSTRIAL.

APPLICATIONS

Version made of AISI 304

- Handling of chemically and mechanically non-aggressive water and liquids (*).
- Water supply.
- Irrigation.
- Water circulation (cold, hot, refrigerated).

* For moderately aggressive liquids, a version with FPM elastomers is available (CEA./..V). For very aggressive liquids, please contact our sales network.

On request "N" Version made of AISI 316 (for aggressive liquids)

- Reverse osmosis (where demineralized water is used).
- Industrial washing.
- Thermal waters.
- Chlorine dispensing in swimming pools.
- Jewellery industry.
- Wine production.

up to 1,5 kW. For higher powers, the overload protection must be provided and installed by the user in the control panel.

Three-phase version:

220-230/380-400 V, 60 Hz, 2 poles, the overload protection must be provided and installed by the user in the control panel.

- Condensate drain plug in the standard version.

CONSTRUCTION CHARACTERISTICS

- Close-coupled, single-impeller centrifugal pump featuring axial suction and radial discharge.
- Compact construction, with pump coupled directly to motor; special motor shaft extension supported by ball bearings.
- Rotating assembly has back pull-out design, no need to disconnect the pump body from the pipe line.
- Threaded suction and discharge ports (Rp ISO 7).
- High performance closed **impeller** made of AISI 304 stainless steel.
- **Mechanical seal** with ceramic/carbon rings, NBR elastomers, other parts are made of AISI 304 stainless steel. Mounting dimensions according to EN 12756 (ex DIN 24960) and ISO 3069.
- **NBR O-rings**
- Mounting pedestal.

OPTIONAL FEATURES

- Different voltages and frequencies.
- Different materials for the mechanical seal and O-rings.

SPECIFICATIONS PUMP

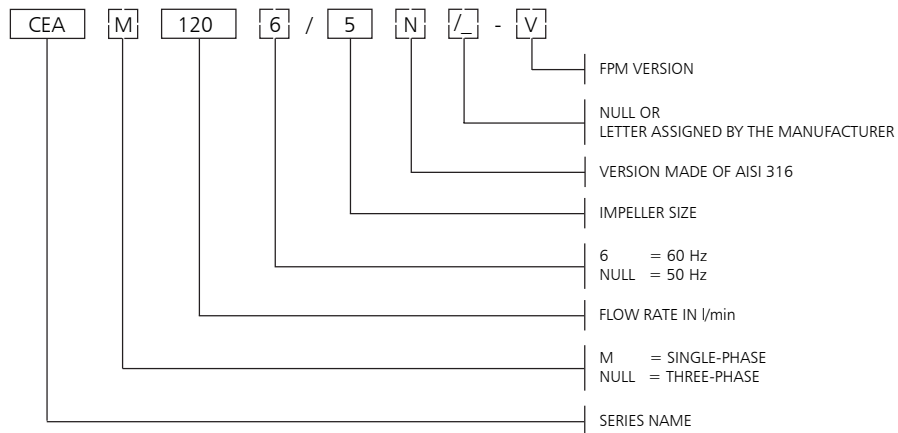
- **Delivery:** up to 540 l/min (32 m³/h).
- **Head:** up to 46 m.
- **Temperature** of pumped liquid: -10°C to 85°C standard version. -10°C to +110°C (N and V versions).
- **Maximum** operating pressure: 8 bar (PN 8).
- Counterclockwise rotation facing the pump from the suction port.

MOTOR

- Asynchronous, squirrel cage rotor, closed construction, external ventilation.
- **Protection class:** IP55.
- **Insulation:** Class 155 (F).
- Performances to EN 60034-1 specification.
- **Standard voltage:**
Single-phase versions: 220-230 V, 60 Hz, 2 poles, with automatic reset overload protection

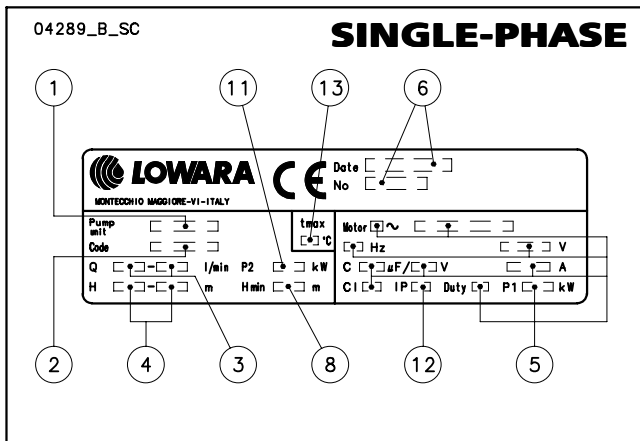
□ **Standard supplied IE2/IE3 motors are compliant with Regulation (EC) no. 640/2009.**

CEA-CEA(N) SERIES IDENTIFICATION CODE



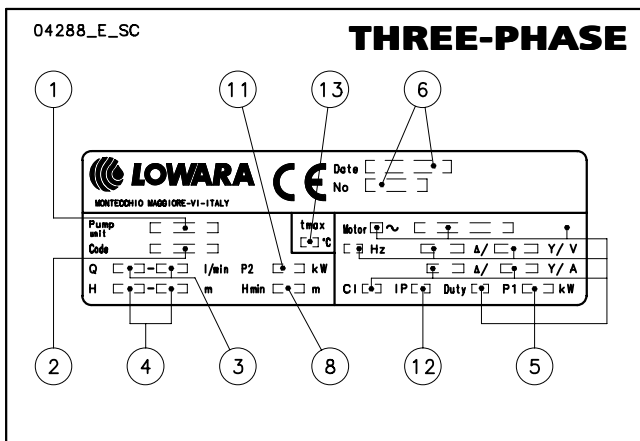
EXAMPLE : CEAM 1206/5-V
 CEA series electric pump, single-phase, flow rate 120 l/min
 60 Hz, Impeller size 5, FPM version.

RATING PLATE



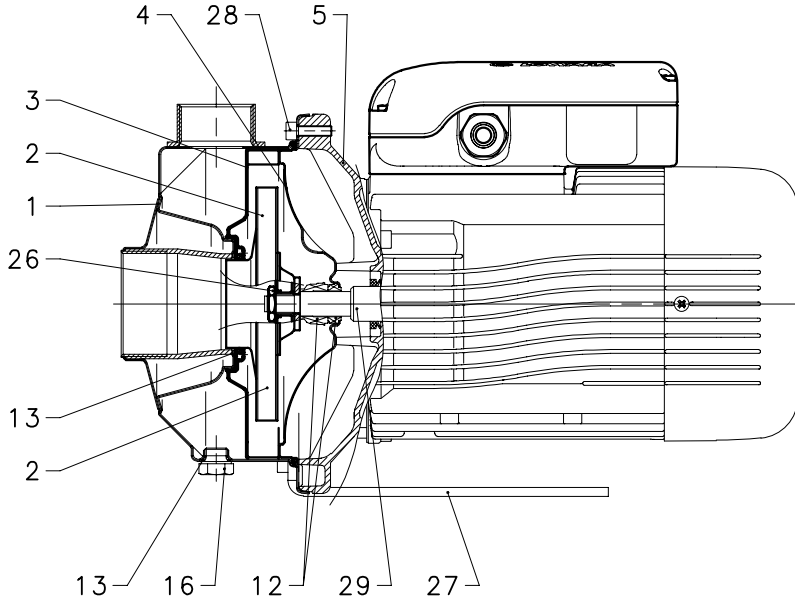
LEGEND

- 1 - Electric pump type
- 2 - Code
- 3 - Delivery range
- 4 - Head range
- 5 - Electrical data
- 6 - Serial number (date + sequential number)
- 8 - Minimum head
- 11 - Rated power
- 12 - Electric pump protection class
- 13 - Maximum temperature of pumped liquid



CEA - CEA(N) SERIES LIST OF MODELS AND TABLE OF MATERIALS

04304_C_DS



VERSIONS
CEA706/3
CEA706/4
CEA706/5
CEA1206/1
CEA1206/2
CEA1206/3
CEA1206/4
CEA1206/5
CEA2106/0
CEA2106/1
CEA2106/2
CEA2106/3
CEA2106/4
CEA3706/0
CEA3706/0A
CEA3706/1
CEA3706/2
CEA3706/3

cea-ceaN-2p60-en_b_mo

CEA SERIES TABLE OF MATERIALS

REF. N.	PART	MATERIAL	REFERENCE STANDARDS	
			EUROPE	USA
1	Pump body	Stainless steel	EN 10088-1-X5CrNi18-10 (1.4301)	AISI 304
2	Impeller	Stainless steel	EN 10088-1-X5CrNi18-10 (1.4301)	AISI 304
3	Diffuser	Stainless steel	EN 10088-1-X5CrNi18-10 (1.4301)	AISI 304
4	Seal housing	Stainless steel	EN 10088-1-X5CrNi18-10 (1.4301)	AISI 304
5	Adapter	Aluminium	EN 1706-AC-AISI11Cu2 (Fe) (AC46100)	-
12	Mechanical seal	Ceramic / Carbon / NBR (standard version)		
13	Elastomers	NBR (standard version)		
16	Fill/drain plugs	Stainless steel	EN 10088-1-X5CrNiMo17-12-2 (1.4401)	AISI 316
26	Impeller lock nut	Stainless steel	EN 10088-1-X5CrNiMo17-12-2 (1.4401)	AISI 316
27	Mounting pedestal	Painted steel		
28	Pump body fastening nuts and bolts	Zinc-plated steel		
29	Shaft extension	Stainless steel	EN 10088-1-X5CrNiMo17-12-2 (1.4401)	AISI 316

CEA(N) SERIES TABLE OF MATERIALS (ON REQUEST)

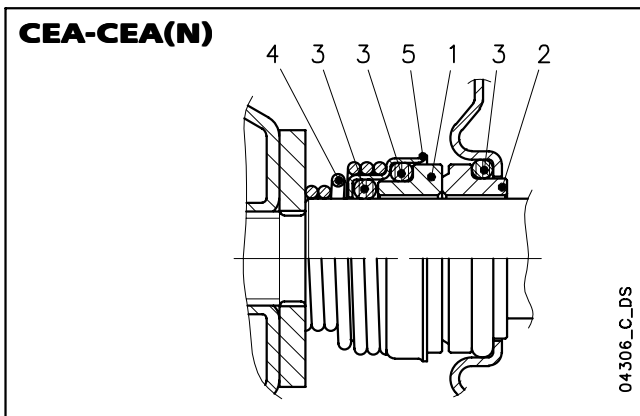
cea-cea-en_b_tm

REF. N.	PART	MATERIAL	REFERENCE STANDARDS	
			EUROPE	USA
1	Pump body	Stainless steel	EN 10088-1-X2CrNiMo17-12-2 (1.4404)	AISI 316L
2	Impeller	Stainless steel	EN 10088-1-X2CrNiMo17-12-2 (1.4404)	AISI 316L
3	Diffuser	Stainless steel	EN 10088-1-X2CrNiMo17-12-2 (1.4404)	AISI 316L
4	Seal housing	Stainless steel	EN 10088-1-X2CrNiMo17-12-2 (1.4404)	AISI 316L
5	Adapter	Aluminium	EN 1706-AC-AISI11Cu2 (Fe) (AC46100)	-
12	Mechanical seal	Ceramic / Carbon /EPDM		
13	Elastomers	EPDM		
16	Fill/drain plugs	Stainless steel	EN 10088-1-X5CrNiMo17-12-2 (1.4401)	AISI 316
26	Impeller lock nut	Stainless steel	EN 10088-1-X5CrNiMo17-12-2 (1.4401)	AISI 316
27	Mounting pedestal	Painted steel		
28	Pump body fastening nuts and bolts	Zinc-plated		
29	Shaft extension	Stainless steel	EN 10088-1-X5CrNiMo17-12-2 (1.4401)	AISI 316

cea-ceaN-en_a_tm

CEA-CEA(N) MECHANICAL SEAL, ACCORDING TO EN 12756

Mechanical seal with mounting dimensions according to EN12756 (ex DIN 24960) and ISO 3069.



CEA-CEA(N) LIST OF MATERIALS

POSITION 1 - 2	POSITION 3	POSITION 4 - 5
B : Resin impregnated carbon	P : NBR	F : AISI 304
C : Special resin impregnated carbon	E : EPDM	G : AISI 316
Q₁ : Silicon carbide	V : FPM	
U₃ : Tungsten carbide		
V : Ceramic		

cea-ca_ten-mec-en_b_tm

CEA MECHANICAL SEALS

TYPE	POSITION					TEMPERATURE (°C)
	1 ROTATING ASSEMBLY	2 FIXED ASSEMBLY	3 ELASTOMERS	4 SPRINGS	5 OTHER COMPONENTS	
STANDARD MECHANICAL SEAL						
VBPGF	V	B	P	G	F	-10 +85
OTHER TYPES OF MECHANICAL SEAL						
VBEGG	V	B	E	G	G	-10 +110
VCEGG	V	C	E	G	G	-10 +110
Q ₁ Q ₁ EGG	Q ₁	Q ₁	E	G	G	-10 +110
U ₃ CEGG	U ₃	C	E	G	G	-10 +110
U ₃ U ₃ EGG	U ₃	U ₃	E	G	G	-10 +110
VBVGG	V	B	V	G	G	-10 +110
VCVGG	V	C	V	G	G	-10 +110
Q ₁ Q ₁ VGG	Q ₁	Q ₁	V	G	G	-10 +110
U ₃ CVGG	U ₃	C	V	G	G	-10 +110
U ₃ U ₃ VGG	U ₃	U ₃	V	G	G	-10 +110

cea_tipi-ten-mec_b_tc

CEA(N) MECHANICAL SEALS

TYPE	POSITION					TEMPERATURE (°C)
	1 ROTATING ASSEMBLY	2 FIXED ASSEMBLY	3 ELASTOMERS	4 SPRINGS	5 OTHER COMPONENTS	
STANDARD MECHANICAL SEAL						
VBEGG	V	B	E	G	G	-10 +110
OTHER TYPES OF MECHANICAL SEAL						
VCEGG	V	C	E	G	G	-10 +110
Q ₁ Q ₁ EGG	Q ₁	Q ₁	E	G	G	-10 +110
VCVGG	V	C	V	G	G	-10 +110
Q ₁ Q ₁ VGG	Q ₁	Q ₁	V	G	G	-10 +110

cean-can_tipi-ten-mec-en_b_tc

CEA-CEA(N) SERIES HYDRAULIC PERFORMANCE TABLE AT 60 Hz, 2 POLES

PUMP TYPE	RATED POWER		Q = DELIVERY																	
			l/min	20	30	40	60	80	120	140	160	180	240	300	320	380	420	460	500	540
	kW	HP	m ³ /h	0	1,2	1,8	2,4	3,6	4,8	7,2	8,4	9,6	10,8	14,4	18	19,2	22,8	25,2	28	30
H = TOTAL HEAD METRES COLUMN OF WATER																				
CEA(M) 706/3	0,75	1	32,3	30,7	30,0	29,2	27,0	23,5												
CEA(M) 706/4	0,9	1,2	39,2	37,5	36,6	35,7	33,4	29,9												
CEA(M) 706/5	1,1	1,5	45,2	43,3	42,4	41,4	38,6	34,4												
CEA(M) 1206/1	0,55	0,75	22,1				19,1	17,7	14,4	12,2	9,8									
CEA(M) 1206/2	0,75	1	27,8				24,1	22,6	19,1	16,9	14,3									
CEA(M) 1206/3	0,9	1,2	32,8				29,1	27,7	24,1	22,0	19,6									
CEA(M) 1206/4	1,5	2	40,5				36,3	34,6	30,6	28,2	25,4									
CEA(M) 1206/5	1,85	2,5	46,6				42,2	40,4	36,0	33,4	30,6	27,4								
CEA(M) 2106/0	0,75	1	17,0						15,9	15,5	14,9	14,3	11,9	8,8						
CEA(M) 2106/1	1,1	1,5	21,1						20,4	20,0	19,5	19,0	16,9	14,0						
CEA(M) 2106/2	1,5	2	25,3						24,5	24,1	23,7	23,2	21,3	18,7						
CEA(M) 2106/3	1,85	2,5	30,0						29,4	29,1	28,8	28,3	26,7	24,3	23,3					
CEA(M) 2106/4	2,2	3	34,8						34,3	34,0	33,6	33,2	31,5	28,9	27,9					
CEA(M) 3706/0	1,1	1,5	16,9								15,9	15,6	14,4	12,8	12,2	10,0				
CEA(M) 3706/0A	1,5	2	19,8								19,4	19,2	18,4	17,2	16,7	14,6	12,9			
CEA(M) 3706/1	1,85	2,5	23,5								22,9	22,6	21,7	20,3	19,8	17,8	16,3	14,5		
CEA 3706/2	3	4	29,6								29,0	28,8	27,9	26,6	26,1	24,2	22,7	21,0	19,0	
CEA 3706/3	3	4	35,0								33,0	32,7	31,6	30,2	29,7	27,9	26,5	24,9	23,0	20,9

cea-2p60-en_c_th

CEA-CEA(N) SERIES ELECTRICAL DATA AT 60 Hz, 2 POLES

PUMP TYPE	MOTOR TYPE	INPUT POWER*	INPUT CURRENT*	CAPACIT.	PUMP TYPE	MOTOR TYPE	INPUT POWER*	INPUT CURRENT*	INPUT CURRENT*
SINGLE PHASE		kW	A	μF / 450 V	THREE PHASE		kW	A	A
CEAM706/3	SM71BG/1076	0,96	4,39	20	CEA706/3	SM80BG/307PE	0,84	2,89	1,67
CEAM706/4	SM71BG/1096	1.30	5,91	25	CEA706/4	SM80BG/311PE	1,17	3,98	2,30
CEAM706/5	SM80BG/1116	1,54	7,13	30	CEA706/5	SM80BG/311PE	1,46	4,61	2,66
CEAM1206/1	SM71BG/1056	0,84	3,87	16	CEA1206/1	SM71BG/305	0,74	2,36	1,36
CEAM1206/2	SM71BG/1076	1,05	4,79	20	CEA1206/2	SM80BG/307PE	0,94	3,11	1,79
CEAM1206/3	SM71BG/1096	1,39	6,31	25	CEA1206/3	SM80BG/311PE	1,27	4,19	2,42
CEAM1206/4	SM80BG/1156	1,85	8,71	40	CEA1206/4	SM80BG/315PE	1,71	5,51	3,18
CEAM1206/5	PLM90BG/1226	2,24	10,6	60	CEA1206/5	PLM90BG/322	2,23	7,37	4,26
CEAM2106/0	SM71BG/1076	1,06	4,85	20	CEA2106/0	SM80BG/307PE	0,95	3,13	1,81
CEAM2106/1	SM80BG/1116	1,50	6,98	30	CEA2106/1	SM80BG/311PE	1,40	4,47	2,58
CEAM2106/2	SM80BG/1156	1,90	8,87	40	CEA2106/2	SM80BG/315PE	1,74	5,58	3,22
CEAM2106/3	PLM90BG/1226	2,28	10,7	60	CEA2106/3	PLM90BG/322	2,27	7,46	4,31
CEAM2106/4	PLM90BG/1226	2,91	13,5	60	CEA2106/4	PLM90BG/322	2,95	9,11	5,26
CEAM3706/0	SM80BG/1116	1,54	7,15	30	CEA3706/0	SM80BG/311PE	1,45	4,59	2,65
CEAM3706/0A	SM80BG/1156	1,97	9,19	40	CEA3706/0A	SM80BG/315PE	1,84	5,83	3,36
CEAM3706/1	PLM90BG/1226	2,41	11,3	60	CEA3706/1	PLM90BG/322	2,42	7,79	4,50
					CEA3706/2	PLM90BG/330	3,21	10,1	5,85
					CEA3706/3	PLM90BG/330	3,92	11,9	6,89

* Maximum value in specified range

cea-2p60-en_e_te

MOTORS FOR CEA-CEA(N) SERIES

Standard supplied IE2/IE3 three-phase surface motors $\geq 0,75$ kW are compliant with Regulation (EC) no. 640/2009 and IEC 60034-30.

Electrical performances according to EN 60034-1.

Insulation class 155 (F). IP55 protection. Condensate drain plugs on standard version.

Cooling by fan according to EN 60034-6.

Cable gland metric size according to EN 50262. Standard voltage:

- **Single-phase** version: 220-230 V 60 Hz (incorporated automatic-reset overload protection).
- **Three-phase** version : 220 V Δ , 380 V Y, 60 Hz (overload protection to be provided by the user).

SINGLE-PHASE MOTORS AT 60 Hz, 2 POLES

P _N kW	MOTOR TYPE	IEC SIZE	Construction Design	INPUT CURRENT I _n (A)	CAPACITOR		DATA FOR 220 V 50 Hz VOLTAGE						
					μF	V	min ⁻¹	I _s / I _n	η %	cosφ	T _n Nm	T _s /T _n	T _m /T _n
0,55	SM71BG/1056	71	SPECIAL	3,68-3,62	16	450	3400	4,28	70,2	0,97	1,54	0,66	2,11
0,75	SM71BG/1076	71		4,98-4,88	20	450	3380	3,90	69,8	0,98	2,12	0,64	1,91
0,9	SM71BG/1096	71		6,04-5,96	25	450	3370	3,80	72,9	0,98	2,69	0,58	1,86
1,1	SM80BG/1116	80		6,94-6,89	30	450	3435	4,54	74,2	0,97	3,06	0,62	2,03
1,5	SM80BG/1156	80		9,28-9,35	40	450	3455	4,91	76,3	0,96	4,14	0,49	2,19
1,85	PLM90BG/1226	90		12,3-11,7	60	450	3455	4,99	83,4	0,98	6,08	0,54	2,06
2,2	PLM90BG/1226	90		12,3-11,7	60	450	3455	4,99	83,4	0,98	6,08	0,54	2,06

cea-motm-2p60-en_a_te

THREE-PHASE MOTORS AT 60 Hz, 2 POLES

P _N kW	Efficiency η _N %												IE	Year of construction		
	Δ 220 V Y 380 V			Δ 230 V Y 400 V			Δ 380 V Y 660 V			Δ 400 V Y 690 V						
	4/4	3/4	2/4	4/4	3/4	2/4	4/4	3/4	2/4	4/4	3/4	2/4				
0,55	-	-	-	-	-	-	-	-	-	-	-	-	-	-	3	By June 2011
0,75	83,4	82,4	79,0	83,4	82,4	79,0	83,4	82,4	79,0	83,4	82,4	79,0				
0,9	85,6	85,0	82,1	85,6	85,0	82,1	85,6	85,0	82,1	85,6	85,0	82,1				
1,1	85,6	85,0	82,1	85,6	85,0	82,1	85,6	85,0	82,1	85,6	85,0	82,1				
1,5	87,2	87,0	84,6	87,2	87,0	84,6	87,2	87,0	84,6	87,2	87,0	84,6				
1,85	85,5	85,5	84,5	85,5	85,5	84,5	85,5	85,5	84,5	85,5	85,5	84,5				
2,2	85,5	85,5	84,5	85,5	85,5	84,5	85,5	85,5	84,5	85,5	85,5	84,5				
3	87,8	88,0	86,0	87,8	88,0	86,0	87,8	88,0	86,0	87,8	88,0	86,0				

P _N kW	Manufacturer		IEC SIZE	Construction Design	N. of Poles	f _N Hz	Data for 380 V / 60 Hz				
	Lowara srl Unipersonale Reg. No. 03471820260 Montecchio Maggiore Vicenza - Italia						cosφ	I _s / I _n	T _N Nm	T _s /T _N	T _m /T _n
	Model										
0,55	SM71BG /305		71	SPECIAL	2	60	0,84	5,83	1,55	3,09	2,77
0,75	SM80BG /307 PE		80				0,79	8,25	2,05	3,80	4,02
0,9	SM80BG /311 PE		80				0,80	9,11	3,01	4,15	4,29
1,1	SM80BG /311 PE		80				0,80	9,11	3,01	4,15	4,29
1,5	SM80BG /315 PE		80				0,82	9,79	4,10	4,36	4,37
1,85	PLM90BG /322		90				0,83	9,59	6,00	3,80	4,02
2,2	PLM90BG /322		90				0,83	9,59	6,00	3,80	4,02
3	PLM90BG /330		90				0,84	9,12	8,22	3,52	3,65

P _N kW	Voltage U _N V								n _N min ⁻¹	Operating conditions **		
	Δ		Y		Δ		Y			Altitudine s.l.m. m	T. amb min/max °C	ATEX
	220 V	230 V	380 V	400 V	380 V	400 V	660 V	690 V				
	I _N (A)											
0,55	2,37	2,30	1,37	1,33	-	-	-	-	3380 ÷ 3415	See note. 1000	-15 / 40	No
0,75	3,03	3,01	1,75	1,74	1,75	1,74	1,01	1,00	3490 ÷ 3500			
0,9	4,24	4,24	2,45	2,45	2,44	2,43	1,41	1,40	3490 ÷ 3505			
1,1	4,24	4,24	2,45	2,45	2,44	2,43	1,41	1,40	3490 ÷ 3505			
1,5	5,58	5,53	3,22	3,19	3,23	3,22	1,86	1,86	3485 ÷ 3505			
1,85	8,14	8,12	4,70	4,69	4,69	4,68	2,71	2,70	3495 ÷ 3505			
2,2	8,14	8,12	4,70	4,69	4,69	4,68	2,71	2,70	3495 ÷ 3505			
3	10,7	10,5	6,19	6,06	6,20	6,11	3,58	3,53	3480 ÷ 3495			

Note: Observe the regulations and codes locally in force regarding sorted waste disposal.

cea-ie2-mott-2p60-en_b_te

** Operating conditions to be referred to motor only. About electric pump, refer to limits in user's manual.

AVAILABLE VOLTAGES MOTORS FOR CEA-CEA(N) SERIES

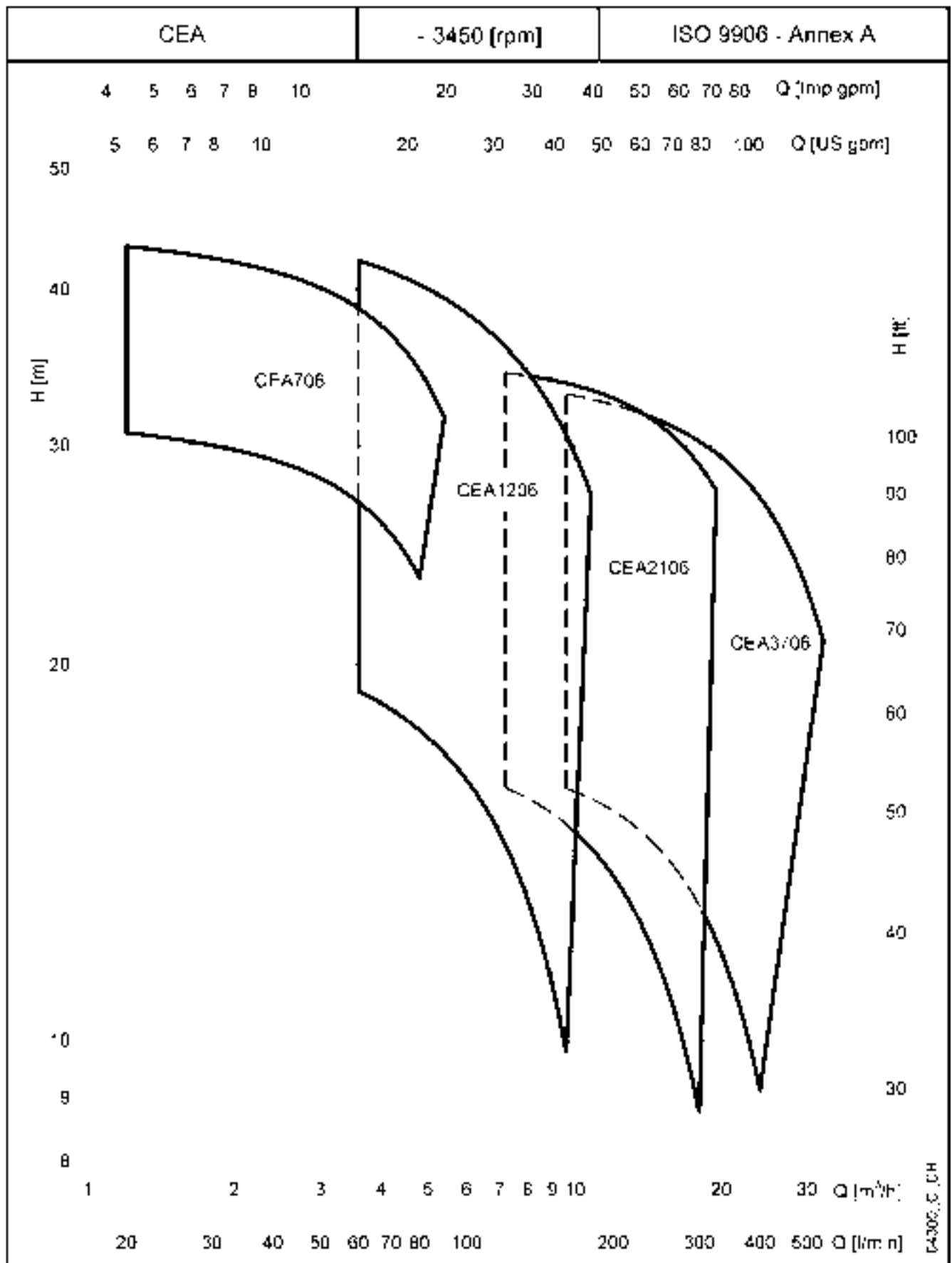
P _N kW	IEC SIZE	SINGLE-PHASE							
		50 Hz				60 Hz			
		1 x 220-240	1 x 100	1 x 110-120	1 x 220-230	1 x 100	1 x 110-115	1 x 120-127	1 x 200-210
0,4	63	s	o	o	s	-	o	-	-
0,55	71	s	o	o	s	o	o	o	o
0,75	71	s	o	o	s	o	o	o	o
0,95	71	s	o	o	s	o	o	o	o
1,1	80	s	-	o	s	-	o	-	o
1,5	80	s	-	-	s	-	o	-	o
2,2	90	s	-	-	s	-	-	-	-

s = Standard voltage o = Optional voltage

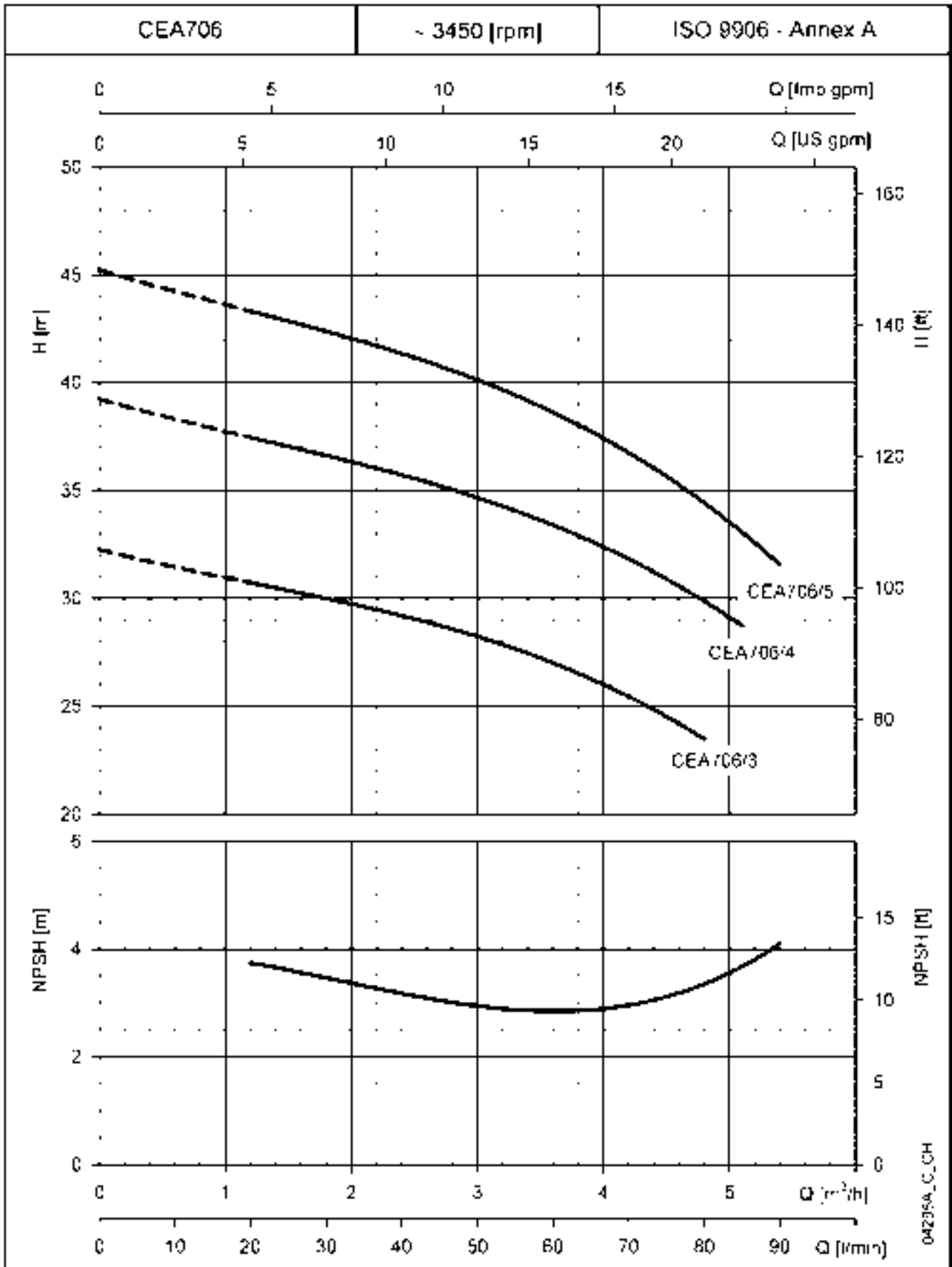
P _N kW	THREE-PHASE - 2 POLES																	
	50 Hz						60 Hz						50/60 Hz					
	3 x 220-230-240/380-400-415	3 x 380-400-415/660-690	3 x 200-208/346-360	3 x 255-265/440-460	3 x 290-300/500-525	3 x 440-460/-	3 x 500-525/-	3 x 220-230/380-400	3 x 255-265-277/440-460-480	3 x 380-400/660-690	3 x 440-460-480/-	3 x 110-115/190-200	3 x 200-208/346-360	3 x 330-346/575-600	3 x 575/-	3 x 230/400 50 Hz	3 x 265/460 60 Hz	3 x 400/690 50 Hz
0,4	s	o	o	o	o	o	s	o	o	o	o	o	o	o	o	o	o	o
0,55	s	o	o	o	o	o	s	o	o	o	o	o	o	o	o	o	o	o
0,75	s	o	o	o	o	o	s	o	o	o	o	o	o	o	o	o	o	o
0,95	s	o	o	o	o	o	s	o	o	o	o	o	o	o	o	o	o	o
1,1	s	o	o	o	o	o	s	o	o	o	o	o	o	o	o	o	o	o
1,5	s	o	o	o	o	o	s	o	o	o	o	o	o	o	o	o	o	o
2,2	s	o	o	o	o	o	s	o	o	o	o	o	o	o	o	o	o	o
3	s	o	o	o	o	o	s	o	o	o	o	o	o	o	o	o	o	o

- = Not available

cea-volt-low-a-en_a_te

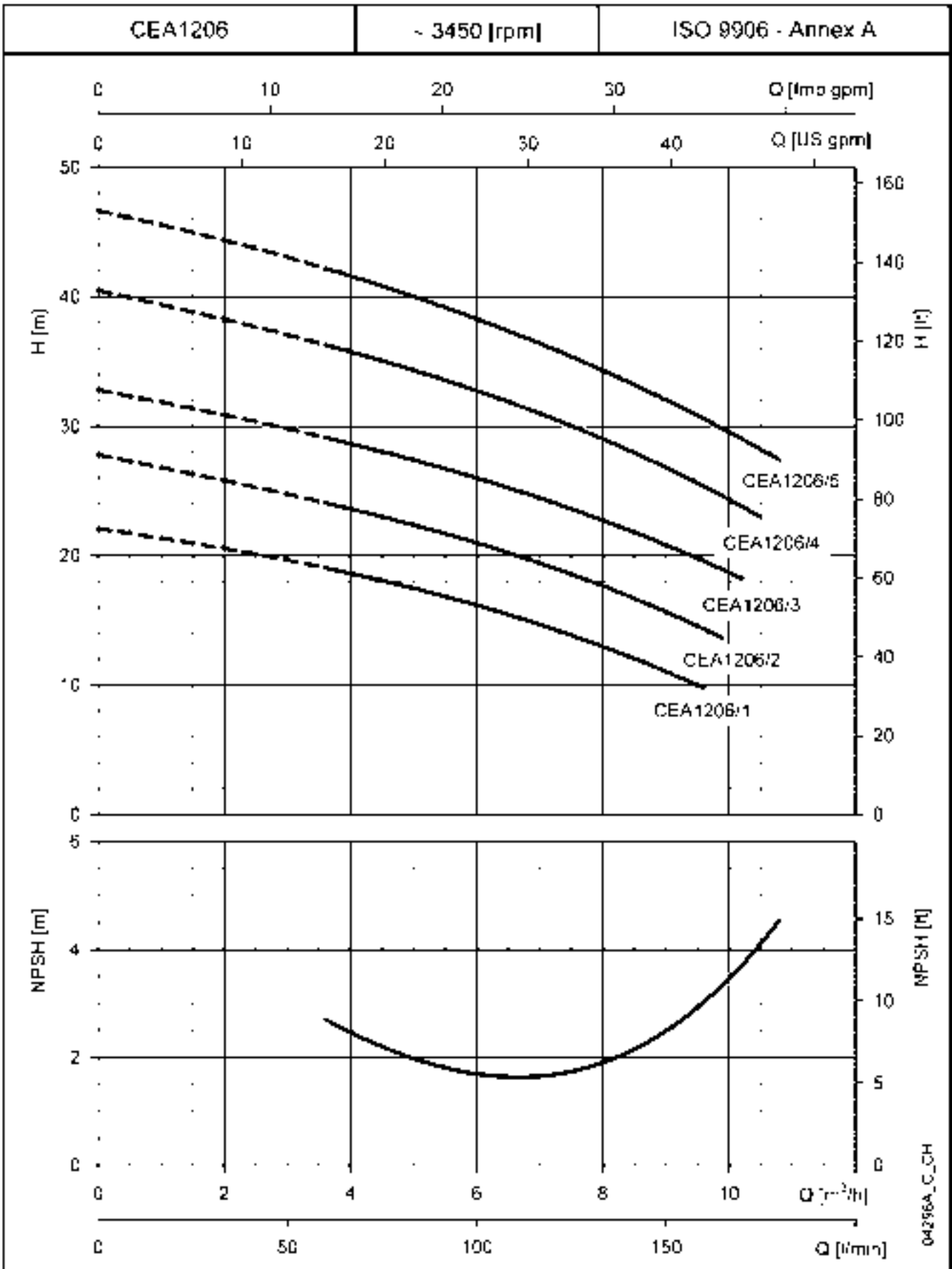
**CEA-CEA(N) SERIES
HYDRAULIC PERFORMANCE RANGE AT 60 Hz, 2 POLES**


**CEA706 SERIES
OPERATING CHARACTERISTICS AT 60 Hz, 2 POLES**



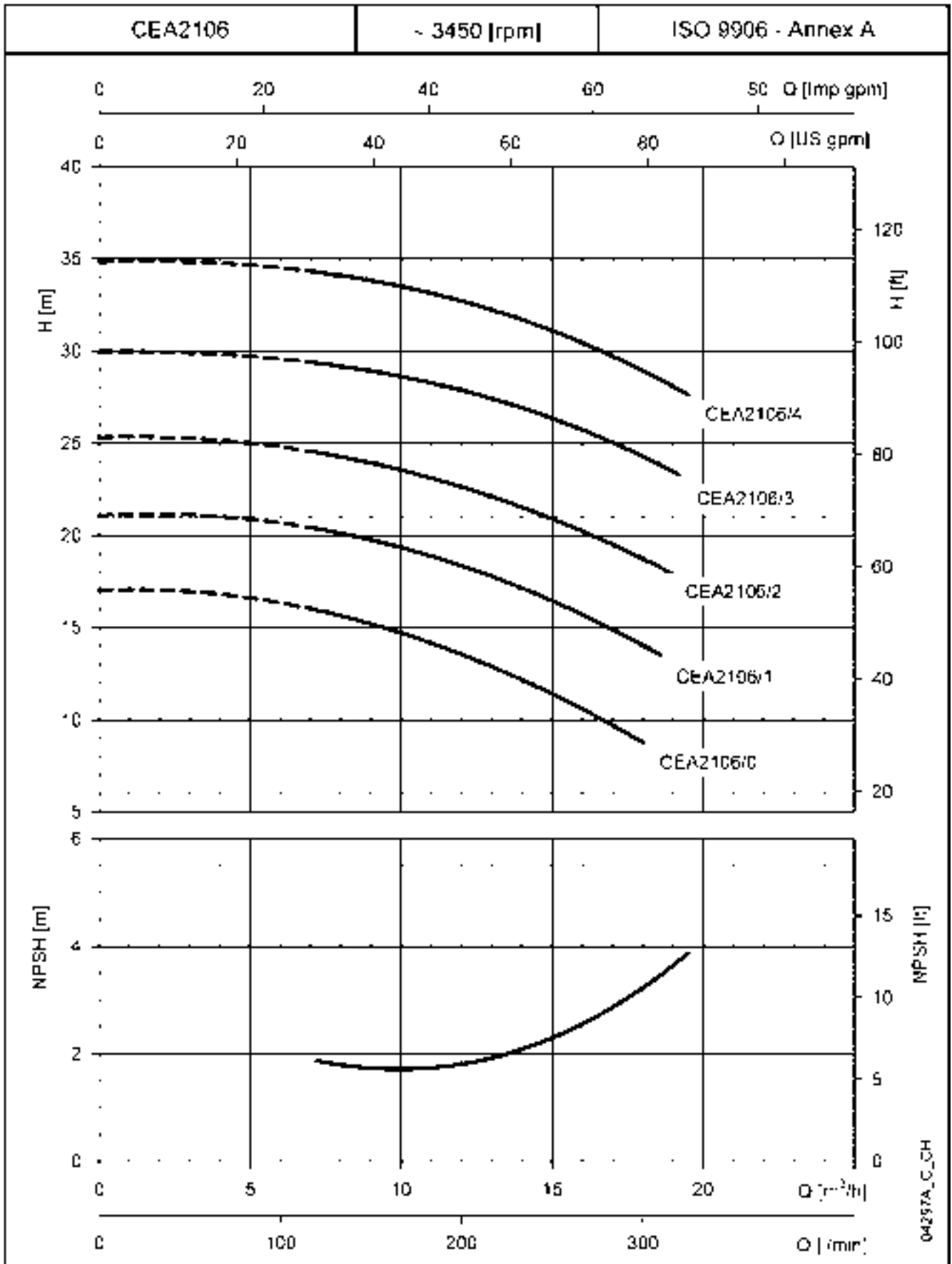
These performances are valid for liquids with density $\rho = 1.0 \text{ Kg/dm}^3$ and kinematic viscosity $\nu = 1 \text{ mm}^2/\text{sec}$.

**CEA1206 SERIES
OPERATING CHARACTERISTICS AT 60 Hz, 2 POLES**



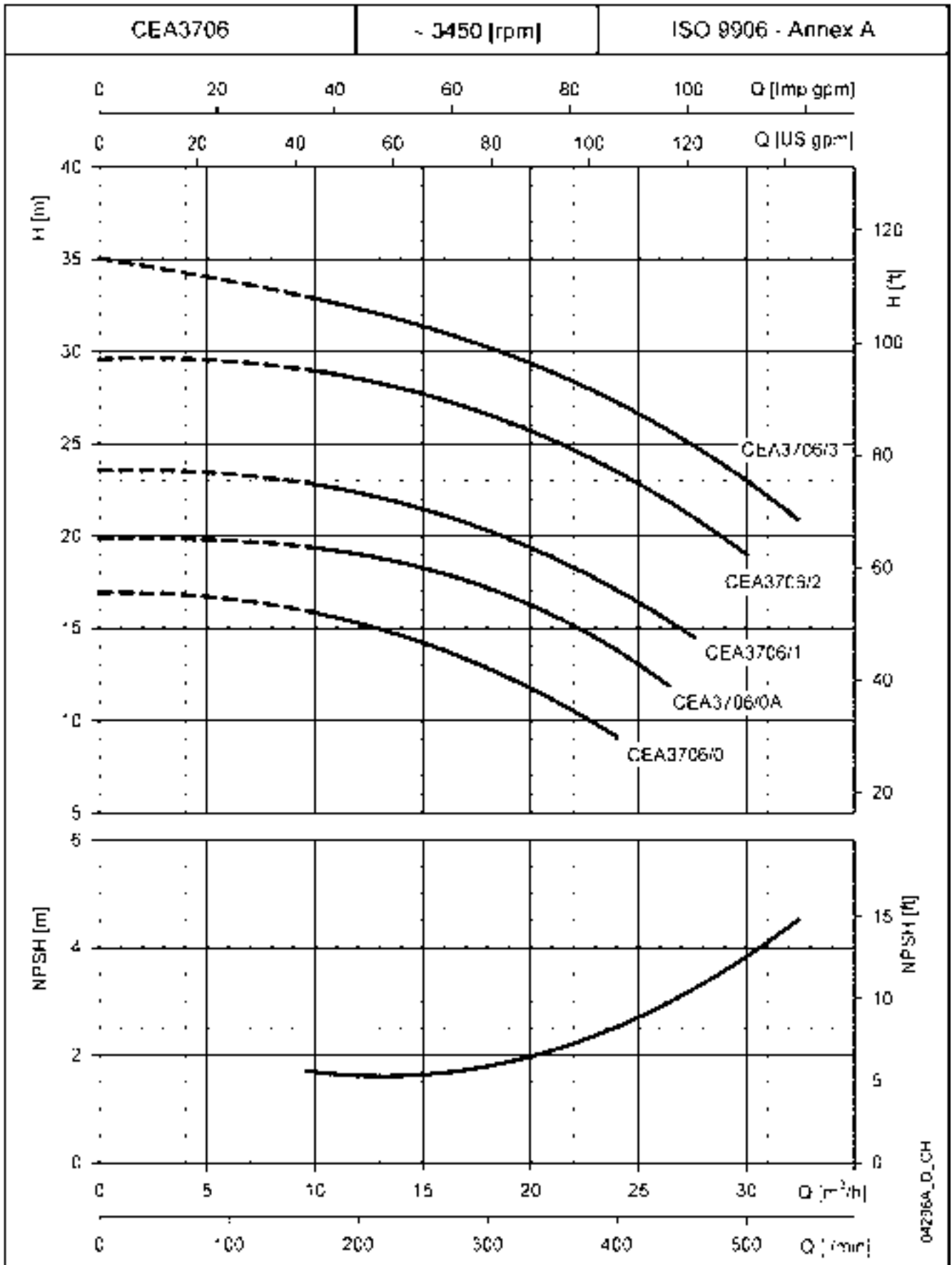
These performances are valid for liquids with density $\rho = 1.0 \text{ Kg/dm}^3$ and kinematic viscosity $\nu = 1 \text{ mm}^2/\text{sec}$.

**CEA2106 SERIES
OPERATING CHARACTERISTICS AT 60 Hz, 2 POLES**



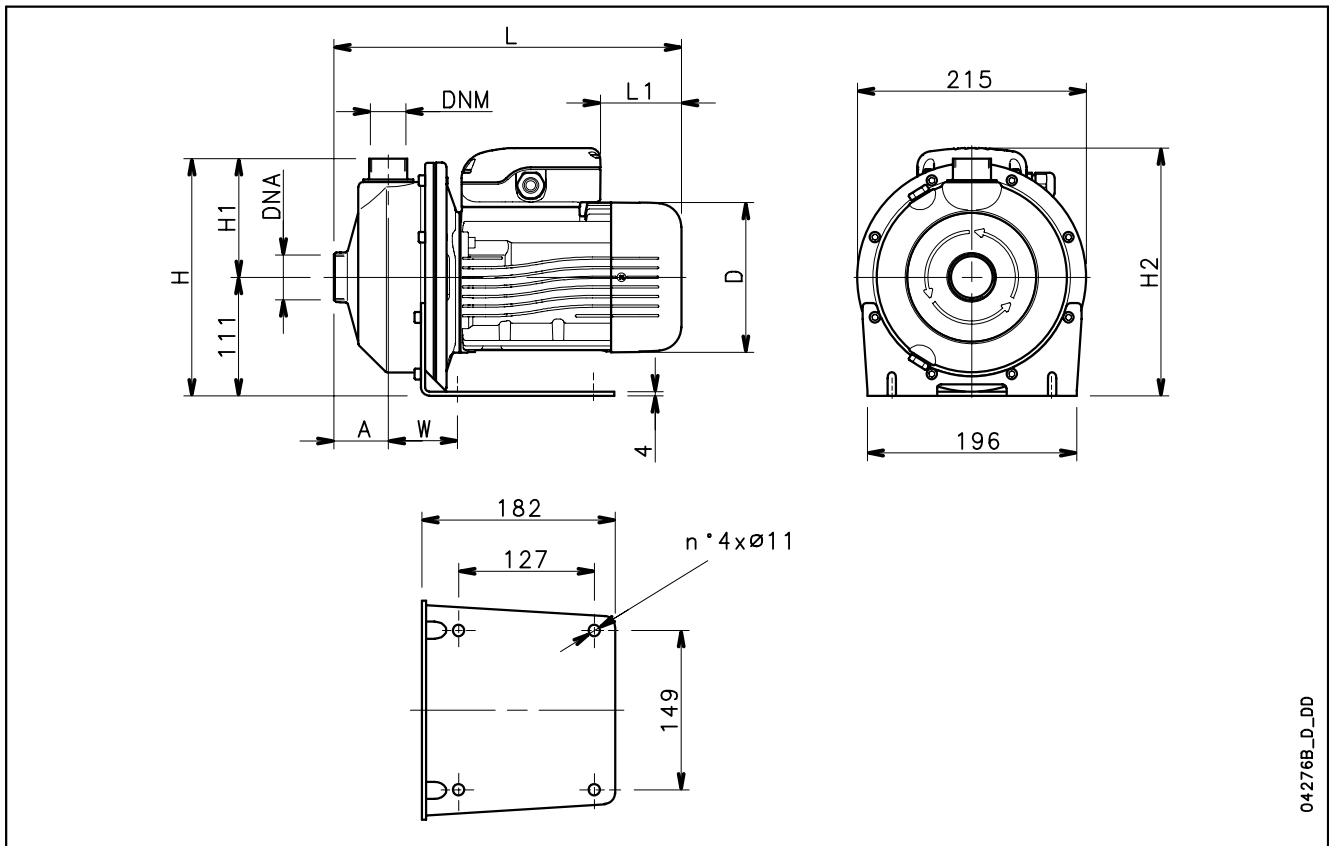
These performances are valid for liquids with density $\rho = 1.0 \text{ Kg/dm}^3$ and kinematic viscosity $\nu = 1 \text{ mm}^2/\text{sec}$.

**CEA3706 SERIES
OPERATING CHARACTERISTICS AT 60 Hz, 2 POLES**



These performances are valid for liquids with density $\rho = 1.0 \text{ Kg/dm}^3$ and kinematic viscosity $\nu = 1 \text{ mm}^2/\text{sec}$.

CEA-CEA(N) SERIES DIMENSIONS AND WEIGHTS AT 60 Hz, 2 POLES



04276B_D_DD

PUMP TYPE	DIMENSIONS (mm)								DNA	DNM	WEIGHT kg
	A	D	H	H1	H2	L	L1	W			
CEAM 706/3/A	51	140	222	111	232	325	76	65	Rp 1¼	Rp 1	12,8
CEAM 706/4/A	51	140	222	111	241	325	31	65	Rp 1¼	Rp 1	13
CEAM 706/5/A	51	156	222	111	248	371	69	65	Rp 1¼	Rp 1	14,5
CEAM 1206/1/A	51	140	222	111	232	325	76	65	Rp 1¼	Rp 1	11,7
CEAM 1206/2/A	51	140	222	111	232	325	76	65	Rp 1¼	Rp 1	11,7
CEAM 1206/3/A	51	140	222	111	241	325	31	65	Rp 1¼	Rp 1	11,7
CEAM 1206/4/A	51	156	222	111	248	371	69	65	Rp 1¼	Rp 1	16,7
CEAM 1206/5/P	51	174	222	111	262	416	84	65	Rp 1¼	Rp 1	24,4
CEAM 2106/0/A	54	140	224	113	232	339	76	76	Rp 1½	Rp 1¼	12,8
CEAM 2106/1/A	54	156	224	113	248	385	69	76	Rp 1½	Rp 1¼	16,8
CEAM 2106/2/A	54	156	224	113	248	385	69	76	Rp 1½	Rp 1¼	17
CEAM 2106/3/P	54	174	224	113	262	429	84	76	Rp 1½	Rp 1¼	24,6
CEAM 2106/4/P	54	174	224	113	262	429	84	76	Rp 1½	Rp 1¼	25
CEAM 3706/0/A	54	156	224	113	248	385	69	76	Rp 2	Rp 1¼	15
CEAM 3706/0A/A	54	156	224	113	248	385	69	76	Rp 2	Rp 1¼	21
CEAM 3706/1/P	54	174	224	113	262	429	84	76	Rp 2	Rp 1¼	26
CEA 706/3/D	51	155	222	111	240	371	114	65	Rp 1¼	Rp 1	13
CEA 706/4/D	51	155	222	111	240	371	114	65	Rp 1¼	Rp 1	14,6
CEA 706/5/D	51	155	222	111	240	371	114	65	Rp 1¼	Rp 1	16,3
CEA 1206/1/A	51	140	222	111	232	325	76	65	Rp 1¼	Rp 1	11,5
CEA 1206/2/D	51	155	222	111	240	371	114	65	Rp 1¼	Rp 1	14,2
CEA 1206/3/D	51	155	222	111	240	371	114	65	Rp 1¼	Rp 1	15
CEA 1206/4/D	51	155	222	111	240	371	114	65	Rp 1¼	Rp 1	16,2
CEA 1206/5/C	51	174	222	111	245	416	172	65	Rp 1¼	Rp 1	20,3
CEA 2106/0/D	54	155	224	113	240	385	114	76	Rp 1½	Rp 1¼	14
CEA 2106/1/D	54	155	224	113	240	385	114	76	Rp 1½	Rp 1¼	16
CEA 2106/2/D	54	155	224	113	240	385	114	76	Rp 1½	Rp 1¼	17,7
CEA 2106/3/C	54	174	224	113	245	429	172	76	Rp 1½	Rp 1¼	21,8
CEA 2106/4/C	54	174	224	113	245	429	172	76	Rp 1½	Rp 1¼	22,2
CEA 3706/0/D	54	155	224	113	240	385	114	76	Rp 2	Rp 1¼	16
CEA 3706/0A/D	54	155	224	113	240	385	114	76	Rp 2	Rp 1¼	17,7
CEA 3706/1/C	54	174	224	113	245	429	172	76	Rp 2	Rp 1¼	22,2
CEA 3706/2/P	54	174	224	113	245	429	172	76	Rp 2	Rp 1¼	23
CEA 3706/3/P	54	174	224	113	245	429	172	76	Rp 2	Rp 1¼	24

cea-2p60-en_f_td

Twin-Impeller Centrifugal Electric Pumps

CA-CA(N) 60 Hz Series

MARKET SECTORS

CIVIL, AGRICULTURAL, INDUSTRIAL.

APPLICATIONS

- Handling of chemically and mechanically non-aggressive water and liquids (*).
- Water supply.
- Irrigation.
- Water circulation (cold, hot, refrigerated).

* For moderately aggressive liquids, a version with FPM elastomers is available (CA../..V). For very aggressive liquids, please contact our sales network.

On request "N" Version made of AISI 316 (for aggressive liquids)

- Reverse osmosis (where demineralized water is used).
- Industrial washing.
- Thermal waters.
- Chlorine dispensing in swimming pools.
- Jewellery industry.
- Wine production.

up to 1,5 kW. For higher powers, the overload protection must be provided and installed by the user in the control panel.

Three-phase version:

220-230/380-400 V, 60 Hz, 2 poles, the overload protection must be provided and installed by the user in the control panel.

- Condensate drain plug in the standard version.

CONSTRUCTION CHARACTERISTICS

- Close-coupled, single-impeller centrifugal pump featuring axial suction and radial discharge.
- Compact construction, with pump coupled directly to motor; special motor shaft extension supported by ball bearings.
- Rotating assembly has back pull-out design, no need to disconnect the pump body from the pipe line.
- Threaded suction and discharge ports (Rp ISO 7).
- High performance closed **impeller** made of AISI 304 stainless steel.
- **Mechanical seal** with ceramic/carbon rings, NBR elastomers, other parts are made of AISI 304 stainless steel. Mounting dimensions according to EN 12756 (ex DIN 24960) and ISO 3069.
- **NBR O-rings**
- Mounting pedestal.

OPTIONAL FEATURES

- Different voltages and frequencies.
- Different materials for the mechanical seal and O-rings.



SPECIFICATIONS PUMP

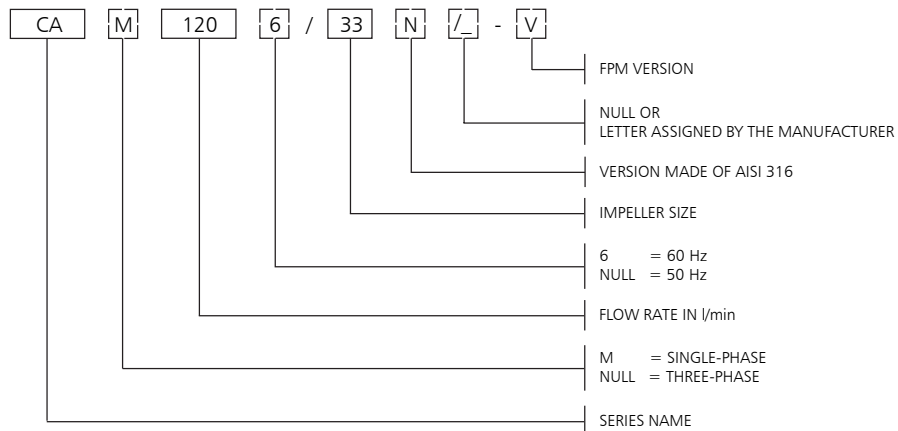
- **Delivery:** up to 210 l/min (12,5 m³/h).
- **Head:** up to 64 m.
- **Temperature** of pumped liquid: -10°C to 85°C standard version. -10°C to +110°C (N and V versions).
- **Maximum** operating pressure: 8 bar (PN 8).
- Counterclockwise rotation facing the pump from the suction port.

MOTOR

- Asynchronous, squirrel cage rotor, closed construction, external ventilation.
- **Protection class:** IP55.
- **Insulation:** class 155 (F).
- Performances to EN 60034-1 specification.
- **Standard voltage:**
Single-phase versions: 220-230 V, 60 Hz, 2 poles, with automatic reset overload protection

□ **Standard supplied IE2/IE3 motors are compliant with Regulation (EC) no. 640/2009.**

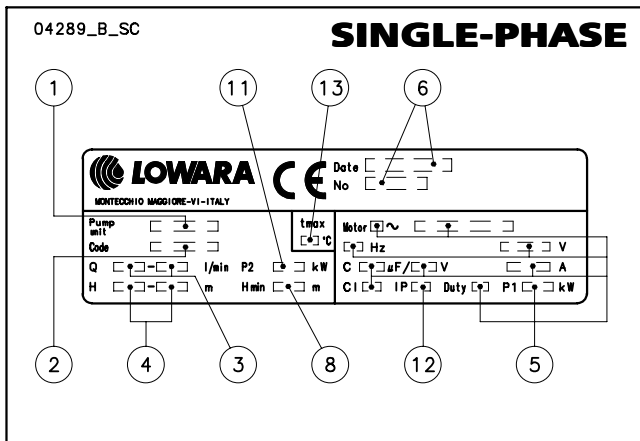
CA-CA(N) SERIES IDENTIFICATION CODE



EXAMPLE : CAM 1206/33-V

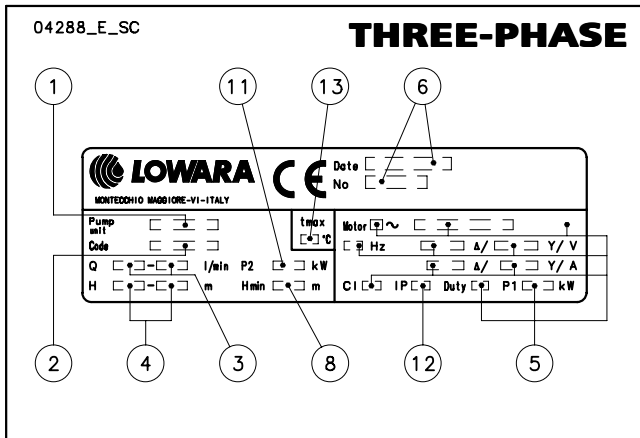
CA series electric pump, single-phase, flow rate 120 l/min
60 Hz, Impeller size 33, FPM version.

RATING PLATE

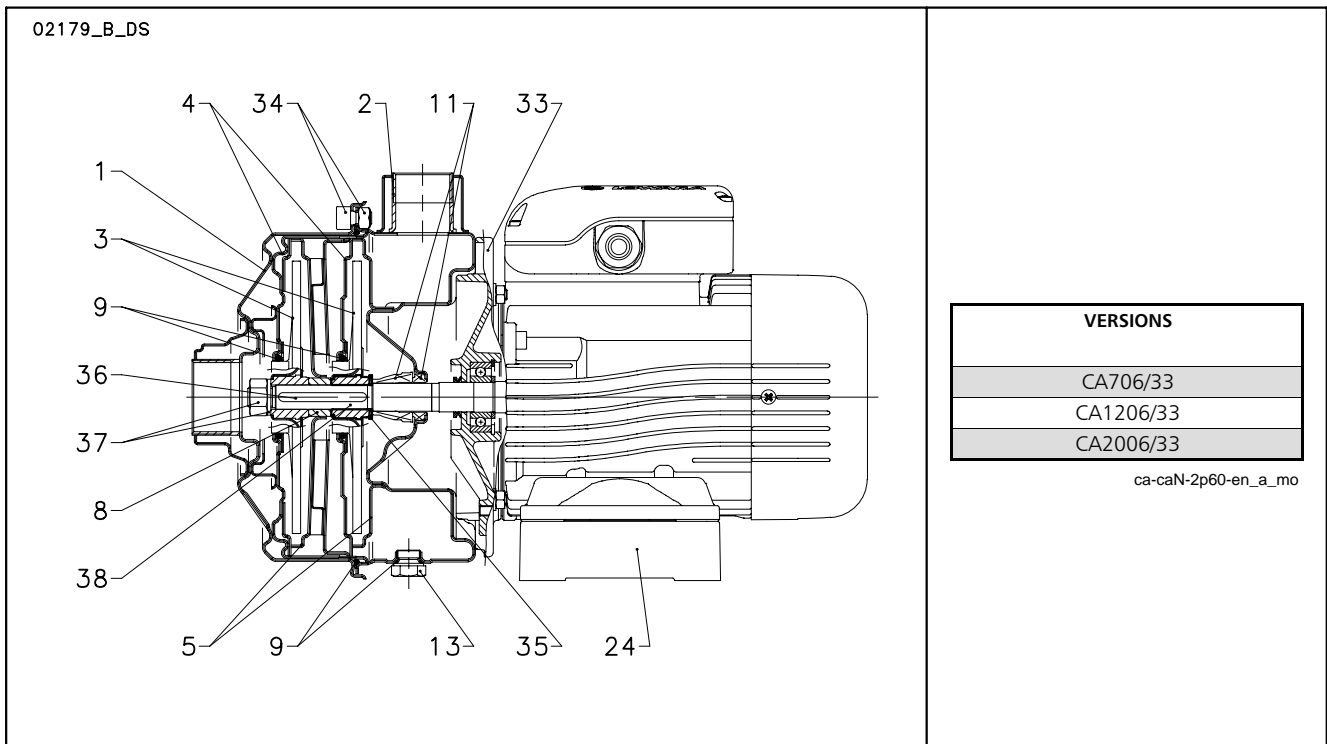


LEGEND

- 1 - Electric pump type
- 2 - Code
- 3 - Delivery range
- 4 - Head range
- 5 - Electrical data
- 6 - Serial number (date + sequential number)
- 8 - Minimum head
- 11 - Rated power
- 12 - Electric pump protection class
- 13 - Maximum temperature of pumped liquid



CA - CA(N) SERIES LIST OF MODELS AND TABLE OF MATERIALS



CA SERIES TABLE OF MATERIALS

REF. N.	PART	MATERIAL	REFERENCE STANDARDS	
			EUROPE	USA
1	Suction flange	Stainless steel	EN 10088-1-X5CrNi18-10 (1.4301)	AISI 304
2	Pump body	Stainless steel	EN 10088-1-X5CrNi18-10 (1.4301)	AISI 304
3	Impeller	Stainless steel	EN 10088-1-X5CrNi18-10 (1.4301)	AISI 304
4	Diffuser cover	Stainless steel	EN 10088-1-X5CrNi18-10 (1.4301)	AISI 304
5	Diffuser	Stainless steel	EN 10088-1-X5CrNi18-10 (1.4301)	AISI 304
8	Impeller spacer	Stainless steel	EN 10088-1-X5CrNi18-10 (1.4301)	AISI 304
9	Elastomers	NBR (standard version)		
11	Mechanical seal	Ceramic / Carbon / NBR (standard version)		
13	Fill/drain plugs	Stainless steel	EN 10088-1-X5CrNiMo17-12-2 (1.4401)	AISI 316
24	Mounting pedestal	Aluminium	EN 1706-AC-AISI11Cu2 (Fe) (AC46100)	-
33	Adapter	Aluminium	EN 1706-AC-AISI11Cu2 (Fe) (AC46100)	-
34	Pump body fastening nuts and bolts	Zinc-plated steel		
35	Impeller shoulder washer	Stainless steel	EN 10088-1-X5CrNi18-10 (1.4301)	AISI 304
36	Key	Stainless steel	EN 10088-1-X5CrNiMo17-12-2 (1.4401)	AISI 316
37	Impeller lock nut and washer	Stainless steel	EN 10088-1-X5CrNi18-10 (1.4301)	AISI 304
38	Shaft extension	Stainless steel	EN 10088-1-X5CrNiMo17-12-2 (1.4401)	AISI 316

CA(N) SERIES TABLE OF MATERIALS (ON REQUEST)

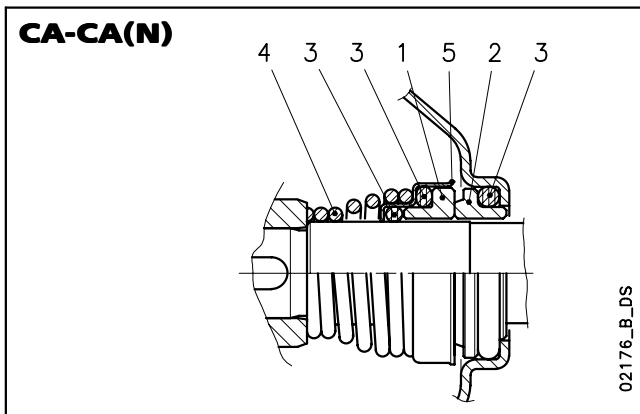
ca-ca-en_b_tm

REF. N.	PART	MATERIAL	REFERENCE STANDARDS	
			EUROPE	USA
1	Suction flange	Stainless steel	EN 10088-1-X2CrNiMo17-12-2 (1.4404)	AISI 316L
2	Pump body	Stainless steel	EN 10088-1-X2CrNiMo17-12-2 (1.4404)	AISI 316L
3	Impeller	Stainless steel	EN 10088-1-X2CrNiMo17-12-2 (1.4404)	AISI 316L
4	Diffuser cover	Stainless steel	EN 10088-1-X2CrNiMo17-12-2 (1.4404)	AISI 316L
5	Diffuser	Stainless steel	EN 10088-1-X2CrNiMo17-12-2 (1.4404)	AISI 316L
8	Impeller spacer	Stainless steel	EN 10088-1-X5CrNiMo17-12-2 (1.4401)	AISI 316
9	Elastomers	EPDM (standard version)		
11	Mechanical seal	Ceramic / Carbon / EPDM (standard version)		
13	Fill/drain plugs	Stainless steel	EN 10088-1-X5CrNiMo17-12-2 (1.4401)	AISI 316
24	Mounting pedestal	Aluminium	EN 1706-AC-AISI11Cu2 (Fe) (AC46100)	-
33	Adapter	Aluminium	EN 1706-AC-AISI11Cu2 (Fe) (AC46100)	-
34	Pump body fastening nuts and bolts	Zinc-plated steel		
35	Impeller shoulder washer	Stainless steel	EN 10088-1-X2CrNiMo17-12-2 (1.4404)	AISI 316L
36	Key	Stainless steel	EN 10088-1-X5CrNiMo17-12-2 (1.4401)	AISI 316
37	Impeller lock nut and washer	Stainless steel	EN 10088-1-X5CrNiMo17-12-2 (1.4401)	AISI 316
38	Shaft extension	Stainless steel	EN 10088-1-X5CrNiMo17-12-2 (1.4401)	AISI 316

ca-caN-en_a_tm

CA-CA(N) MECHANICAL SEAL, ACCORDING TO EN 12756

Mechanical seal with mounting dimensions according to EN12756 (ex DIN 24960) and ISO 3069.



CA-CA(N) LIST OF MATERIALS

POSITION 1 - 2	POSITION 3	POSITION 4 - 5
B : Resin impregnated carbon	P : NBR	F : AISI 304
C : Special resin impregnated carbon	E : EPDM	G : AISI 316
Q ₁ : Silicon carbide	V : FPM	
U ₃ : Tungsten carbide		
V : Ceramic		

cea-ca_ten-mec-en_b_tm

CA MECHANICAL SEALS

TYPE	POSITION					TEMPERATURE (°C)
	1 ROTATING ASSEMBLY	2 FIXED ASSEMBLY	3 ELASTOMERS	4 SPRINGS	5 OTHER COMPONENTS	
STANDARD MECHANICAL SEAL						
VBPGF	V	B	P	G	F	-10 +85
OTHER TYPES OF MECHANICAL SEAL						
VBEGF	V	B	E	G	F	-10 +110
VCEGG	V	C	E	G	G	-10 +110
Q ₁ Q ₁ EGF	Q ₁	Q ₁	E	G	F	-10 +110
U ₃ BEGF	U ₃	B	E	G	F	-10 +110
U ₃ CEGF	U ₃	C	E	G	F	-10 +110
U ₃ U ₃ EGF	U ₃	U ₃	E	G	F	-10 +110
VBVGF	V	B	V	G	F	-10 +110
VCVGF	V	C	V	G	F	-10 +110
Q ₁ Q ₁ VGF	Q ₁	Q ₁	V	G	F	-10 +110
U ₃ CVGF	U ₃	C	V	G	F	-10 +110
U ₃ U ₃ VGF	U ₃	U ₃	V	G	F	-10 +110

ca_tipi-ten-mec-en_b_tc

CA(N) MECHANICAL SEALS

TYPE	POSITION					TEMPERATURE (°C)
	1 ROTATING ASSEMBLY	2 FIXED ASSEMBLY	3 ELASTOMERS	4 SPRINGS	5 OTHER COMPONENTS	
STANDARD MECHANICAL SEAL						
VBEGG	V	B	E	G	G	-10 +110
OTHER TYPES OF MECHANICAL SEAL						
VCEGG	V	C	E	G	G	-10 +110
Q ₁ Q ₁ EGG	Q ₁	Q ₁	E	G	G	-10 +110
VCVGG	V	C	V	G	G	-10 +110
Q ₁ Q ₁ VGG	Q ₁	Q ₁	V	G	G	-10 +110

cean-can_tipi-ten-mec-en_b_tc

CA-CA(N) SERIES HYDRAULIC PERFORMANCE TABLE AT 60 Hz, 2 POLES

PUMP TYPE	RATED POWER		Q = DELIVERY												
			l/min	0	30	40	50	60	70	80	90	120	150	180	210
			m ³ /h	0	1,8	2,4	3	3,6	4,2	4,8	5,4	7,2	9	10,8	12,6
		H = TOTAL HEAD METRES COLUMN OF WATER													
	kW	HP													
CA(M) 706/33	1,5	2	62,6	58,5	56,3	53,7	50,6	46,9	42,8	38,1					
CA(M) 1206/33	2,2	3	64,2			58,5	56,9	55,3	53,5	51,7	45,5	38,7			
CA 2006/33	3	4	63,9						60,4	59,8	57,5	54,7	51,3	47,4	

ca-2p60-en_d_th

CA-CA(N) SERIES ELECTRICAL DATA AT 60 Hz, 2 POLES

PUMP TYPE	MOTOR TYPE	INPUT POWER*	INPUT CURRENT* 220-230 V	CAPACITOR μF / 450 V	PUMP TYPE	MOTOR TYPE	INPUT POWER*	INPUT CURRENT* 220-230 V	INPUT CURRENT* 380-400 V
CAM706/33	SM80CA/1156	2,01	9,32	40	CA706/33	SM80CA/315PE	1,81	5,73	3,31
CAM1206/33	PLM90CA/1226	2,59	12,1	60	CA1206/33	PLM90CA/322	2,61	8,23	4,75
					CA2006/33	PLM90CA/330	3,35	10,5	6,07

* Maximum value in specified range

ca-2p60-en_f_te

MOTORS FOR CA-CA(N) SERIES

Standard supplied IE2/IE3 three-phase surface motors $\geq 0,75$ kW are compliant with Regulation (EC) no. 640/2009 and IEC 60034-30.

Electrical performances according to EN 60034-1.

Insulation class 155 (F). IP55 protection. Condensate drain plugs on standard version.

Cooling by fan according to EN 60034-6.

Cable gland metric size according to EN 50262. Standard voltage:

- **Single-phase** version: 220-230 V 60 Hz (incorporated automatic-reset overload protection).
- **Three-phase** version : 220 V Δ , 380 V Y, 60 Hz (overload protection to be provided by the user).

SINGLE-PHASE MOTORS AT 60 Hz, 2 POLES

P _N kW	MOTOR TYPE	IEC SIZE	Construction Design	INPUT CURRENT I _n (A) 220-230 V	CAPACITOR		DATA FOR 220 V 50 Hz VOLTAGE						
					μ F	V	min ⁻¹	I _s / I _n	η %	cos ϕ	T _n Nm	T _s /T _n	T _m /T _n
1,5	SM80CA/1156	80	SPECIAL	9,28-9,35	40	450	3455	4,91	76,3	0,96	4,14	0,49	2,19
2,2	PLM90CA/1226	90		12,3-11,7	70	450	3455	4,99	83,4	0,98	6,08	0,54	2,06

ca-motm-2p60-en_a_te

THREE-PHASE MOTORS AT 60 Hz, 2 POLES

P _N kW	Efficiency η_N %												IE	Year of construction
	Δ 220 V Y 380 V			Δ 230 V Y 400 V			Δ 380 V Y 660 V			Δ 400 V Y 690 V				
	4/4	3/4	2/4	4/4	3/4	2/4	4/4	3/4	2/4	4/4	3/4	2/4		
1,5	87,2	87,0	84,6	87,2	87,0	84,6	87,2	87,0	84,6	87,2	87,0	84,6	3	By June 2011
2,2	85,5	85,5	84,5	85,5	85,5	84,5	85,5	85,5	84,5	85,5	85,5	84,5	2	
3	87,8	88,0	86,0	87,8	88,0	86,0	87,8	88,0	86,0	87,8	88,0	86,0		

P _N kW	Manufacturer		IEC SIZE	Construction Design	N. of Poles	f _N Hz	Data for 380 V / 60 Hz				
	Lowara srl Unipersonale Reg. No. 03471820260 Montecchio Maggiore (Vicenza) Italia						cos ϕ	I _s / I _N	T _N Nm	T _s /T _N	T _m /T _N
	Model										
1,5	SM80CA /315PE		80	SPECIAL	2	60	0,82	9,79	4,10	4,36	4,37
2,2	PLM90CA /322		90				0,83	9,59	6,00	3,80	4,02
3	PLM90CA /330		90				0,84	9,12	8,22	3,52	3,65

P _N kW	Voltage U _N V								η_N min ⁻¹	See note.	Operating conditions **		
	Δ		Y		Δ		Y				Altitudine s.l.m. m	T. amb min/max °C	ATEX
	220 V	230 V	380 V	400 V	380 V	400 V	660 V	690 V					
	I _N (A)												
1,5	5,58	5,53	3,22	3,19	3,23	3,22	1,86	1,86	3485 ÷ 3505	1000 VI	-15 / 40	No	
2,2	8,14	8,12	4,70	4,69	4,69	4,68	2,71	2,70					
3	10,7	10,5	6,19	6,06	6,20	6,11	3,58	3,53					

Note: Observe the regulations and codes locally in force regarding sorted waste disposal.

ca-ie2-mott-2p60-en_c_te

** Operating conditions to be referred to motor only. About electric pump, refer to limits in user's manual.

AVAILABLE VOLTAGES MOTORS FOR CA-CA(N) SERIES

P _N kW	IEC SIZE	SINGLE-PHASE							
		50 Hz				60 Hz			
		1 x 220-240	1 x 100	1 x 110-120	1 x 220-230	1 x 100	1 x 110-115	1 x 120-127	1 x 200-210
0,75	71	s	o	o	s	o	o	o	o
0,95	71	s	o	o	s	o	o	o	o
1,1	80	s	-	o	s	-	o	-	o
1,5	80	s	-	-	s	-	o	-	o
2,2	90	s	-	-	s	-	-	-	-

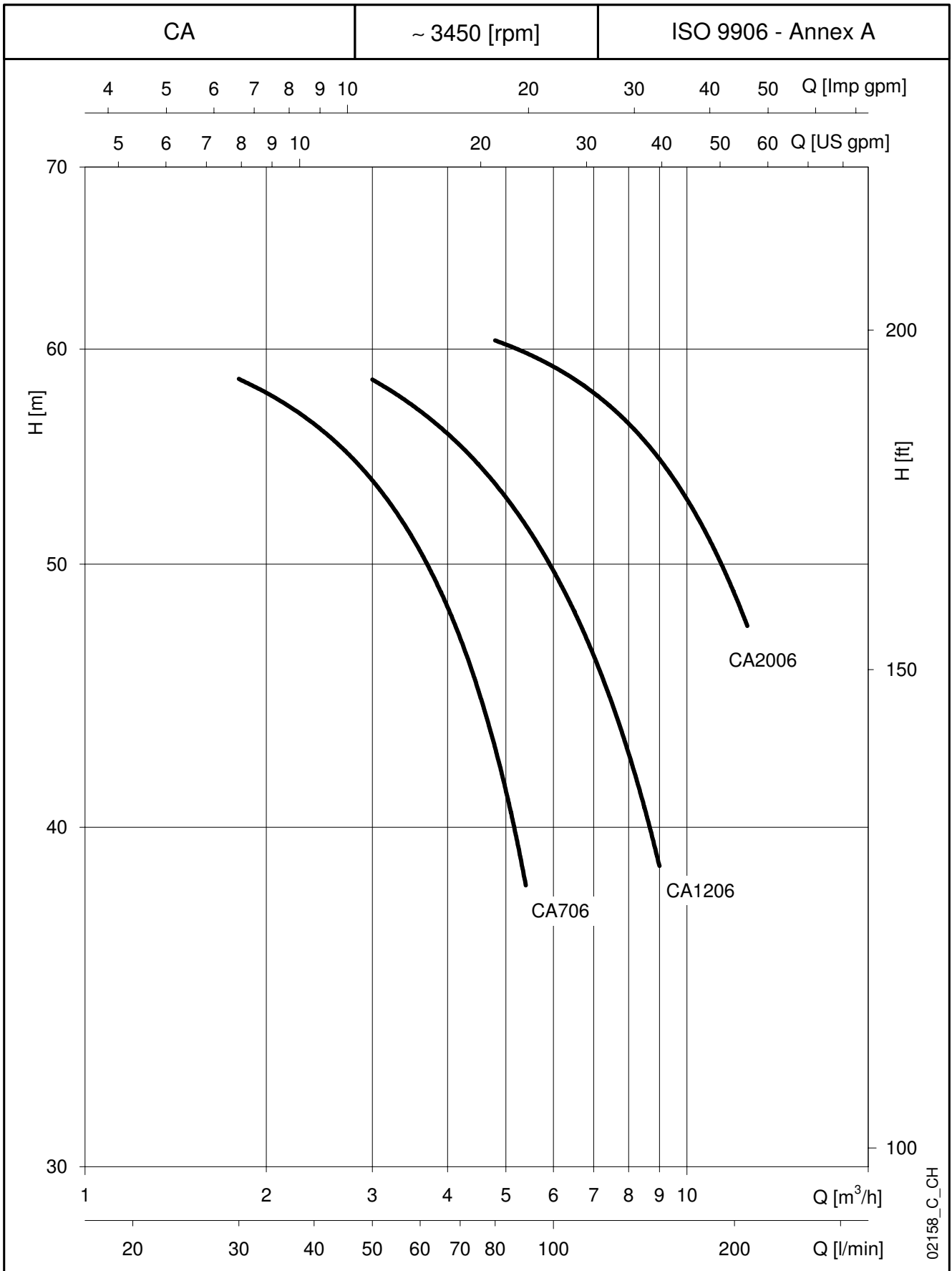
s = Standard voltage o = Optional voltage

P _N kW	THREE-PHASE - 2 POLES																		
	50 Hz						60 Hz						50/60 Hz						
	3 x 220-230-240/380-400-415	3 x 380-400-415/660-690	3 x 200-208/346-360	3 x 255-265/440-460	3 x 290-300/500-525	3 x 440-460/-	3 x 500-525/-	3 x 220-230/380-400	3 x 255-265-277/440-460-480	3 x 380-400/660-690	3 x 440-460-480/-	3 x 110-115/190-200	3 x 200-208/346-360	3 x 330-346/575-600	3 x 575/-	3 x 230/400 50 Hz	3 x 265/460 60 Hz	3 x 400/690 50 Hz	3 x 460/- 60 Hz
0,75	s	o	o	o	o	o	s	o	o	o	o	o	o	o	o	o	o	o	o
0,95	s	o	o	o	o	o	s	o	o	o	o	o	o	o	o	o	o	o	o
1,1	s	o	o	o	o	o	s	o	o	o	o	o	o	o	o	o	o	o	o
1,5	s	o	o	o	o	o	s	o	o	o	o	o	o	o	o	o	o	o	o
2,2	s	o	o	o	o	o	s	o	o	o	o	o	o	o	o	o	o	o	o
3	s	o	o	o	o	o	s	o	o	o	o	o	o	o	o	o	o	o	o

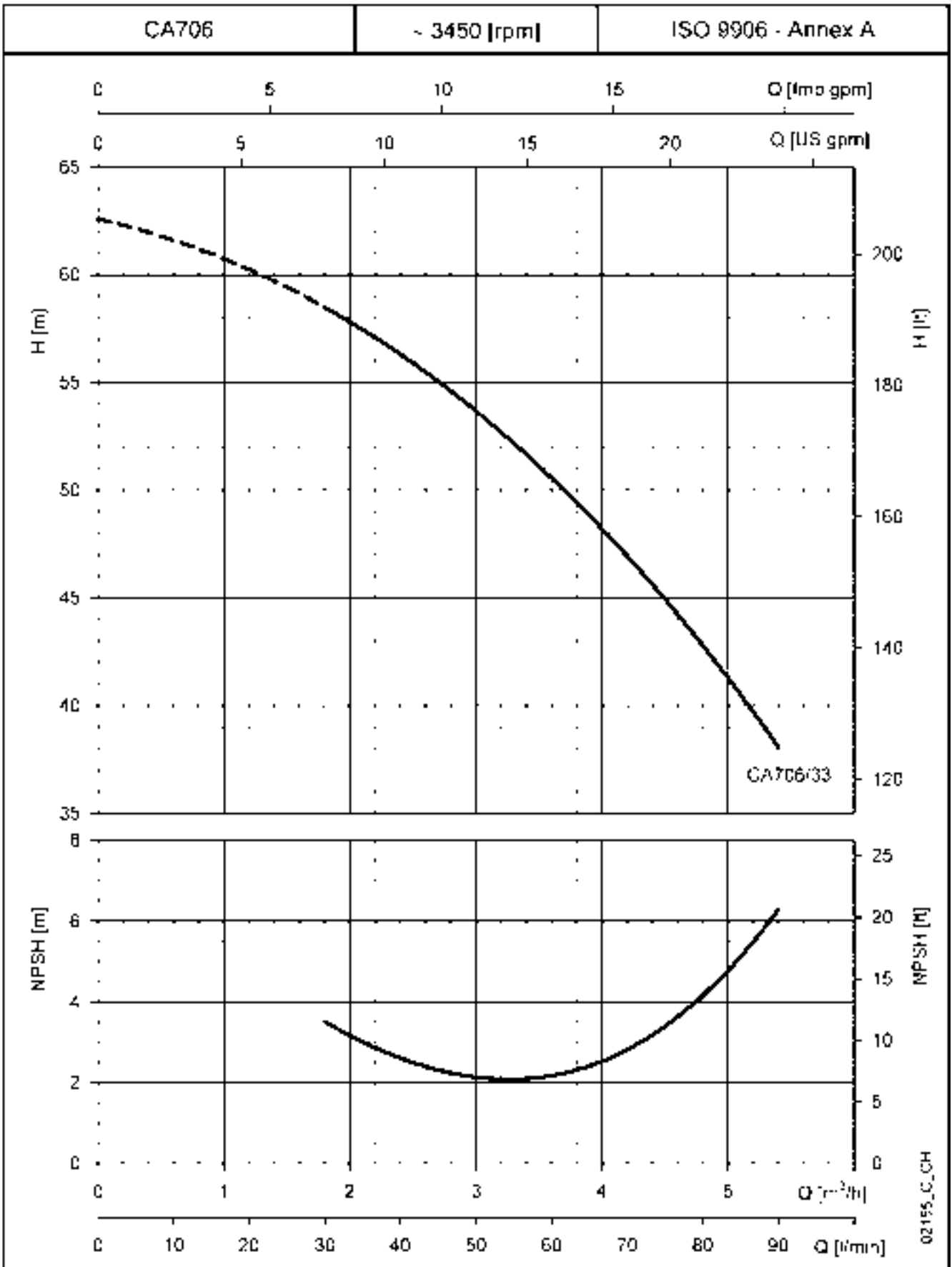
- = Not available

ca-volt-low-a-en_a_te

**CA-CA(N) SERIES
HYDRAULIC PERFORMANCE RANGE AT 60 Hz, 2 POLES**

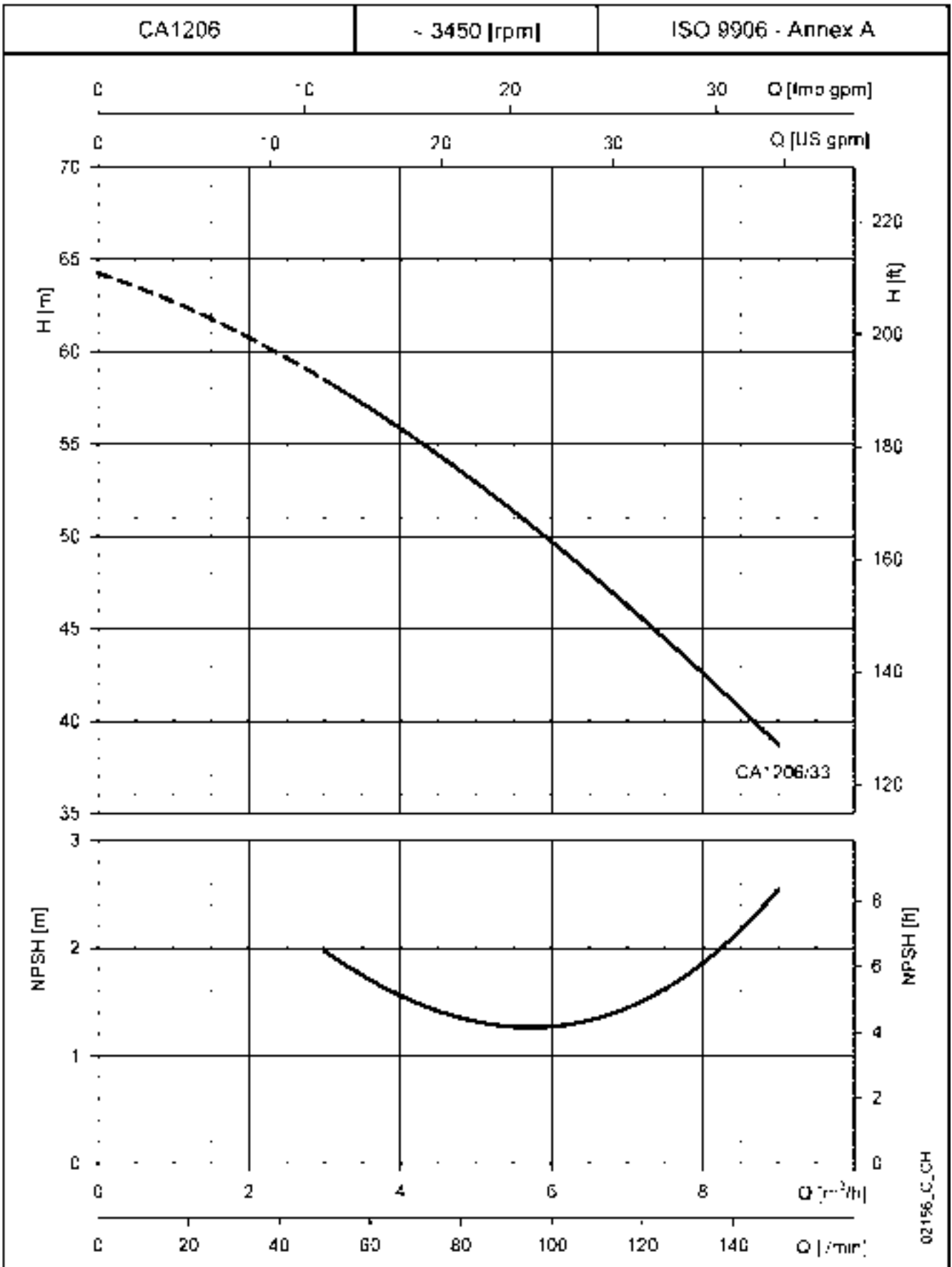


**CA706 SERIES
OPERATING CHARACTERISTICS AT 60 Hz, 2 POLES**



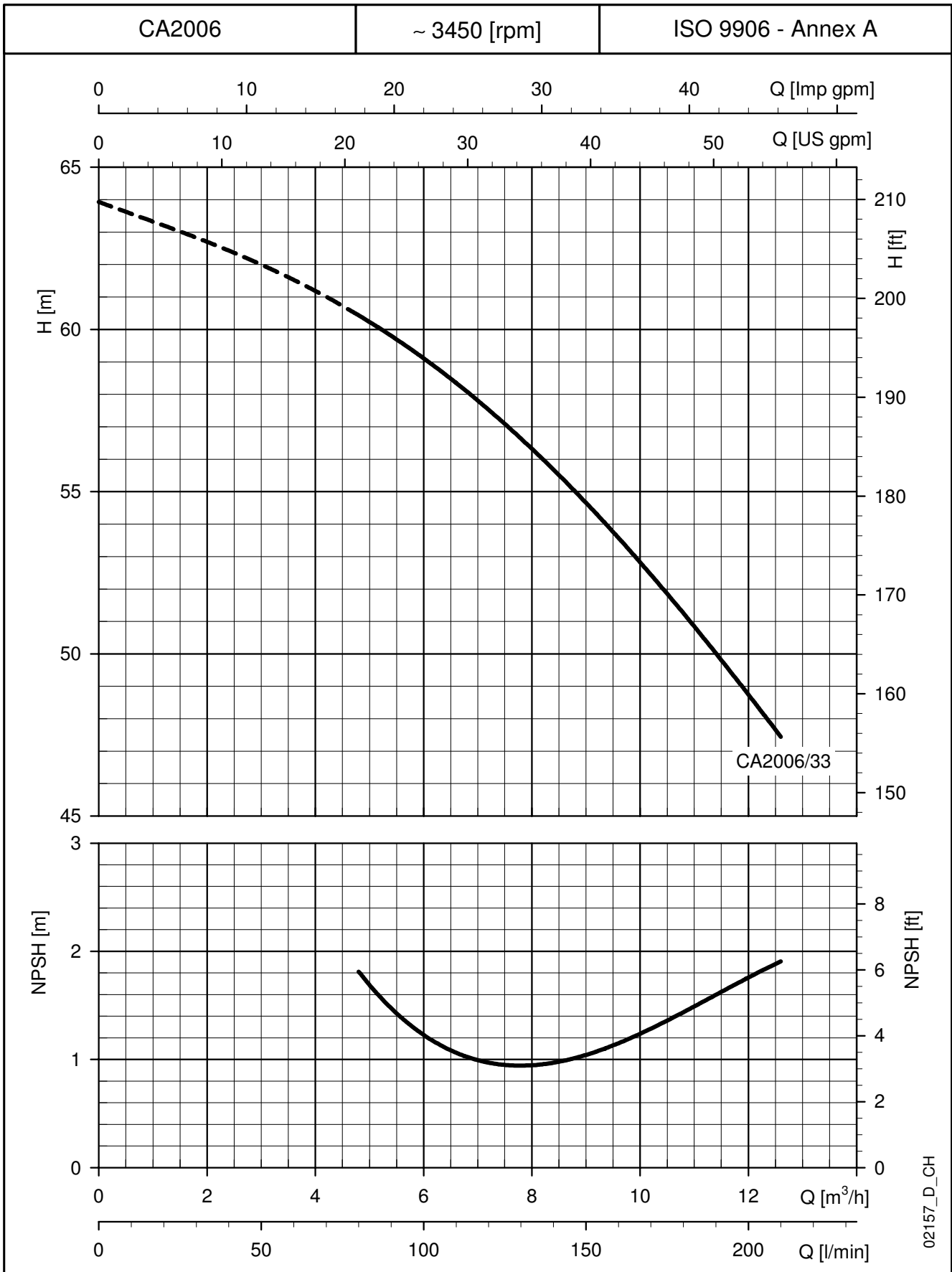
These performances are valid for liquids with density $\rho = 1.0 \text{ Kg/dm}^3$ and kinematic viscosity $\nu = 1 \text{ mm}^2/\text{sec}$.

**CA1206 SERIES
OPERATING CHARACTERISTICS AT 60 Hz, 2 POLES**



These performances are valid for liquids with density $\rho = 1.0 \text{ Kg/dm}^3$ and kinematic viscosity $\nu = 1 \text{ mm}^2/\text{sec}$.

**CA2006 SERIES
OPERATING CHARACTERISTICS AT 60 Hz, 2 POLES**



These performances are valid for liquids with density $\rho = 1.0 \text{ Kg/dm}^3$ and kinematic viscosity $\nu = 1 \text{ mm}^2/\text{sec}$.

TECHNICAL APPENDIX

TYPICAL APPLICATIONS CEA AND CA SERIES ELECTRIC PUMPS

Water Purification:

Filtration
De-ionized water
Water treatment
Commercial and residential pools

Plastic Industry:

Temperature Regulators
Extrusion machines
Manufacture of polymers

Agricultural Residential Applications:

Irrigation
Greenhouses
Humidifiers
Water supply

Heating, Ventilating & Air

Conditioning:

Air scrubbers
Water re-circulation
Cooling towers
Cooling systems
Temperature control
Chillers
Induction heating
Heat exchangers
Water heating
Booster packages

General Industry:

Spray booths
Light chemical transfer
Booster systems

Medical:

Laser cooling
Massage
Medical chillers
Sanitary equipment

Waste Management:

Waste treatment
Pollution control

Machine Tool:

Degreasing
Parts washing
Chemical treatment
Heat treatment

Graphics:

Film washing
Cooling processes

Marine Sector:

Water on board ships

Computers:

Circuit board washing
Unit cooling

Laundry:

Commercial washers

Food and Drink:

Food processing
Bottle washing
Citrus processing
Dishwashing
Brewing
Sanitary ware

CEA - CA SERIES

standard configuration: carbon/ceramic mechanical seal, NBR O-rings
 Compatibility chart for most commonly used liquids, for other compatible liquids refer to our web page www.lowara.com

LIQUIDO LIQUID	FORMULA	CONCENTRAZIONE CONCENTRATION	TEMPERATURA TEMPERATURE	DENSITA' DENSITY	meccanica sigillanti mechanical seal materials		TAVOLA MECCANICA MECHANICAL SEAL			
					meccanica sigillanti mechanical seal	EPDM	number A	number P	number N	
Acido Acetico Acetic acid	CH ₃ COOH	88	-5 +70	1,05			3	3		
configuration code										
Acido Citrico Citric acid	C ₆ H ₈ O ₇	5	-5 +70	1,54	carbon - ceramic		2		2	2
configuration code					JMA					
Acido Fosforico Phosphoric acid	H ₃ PO ₄	22	-5 +20	1,33	Carbon di tung. - Carb. di sil. JPS		3	2		1
configuration code										
Acqua Water	H ₂ O	100	-5 +85		carbon - ceramic standard product			1	1	1
configuration code										
Acqua Demineralizzata Water demineralized		100	-5 +85		carbon - ceramic standard product					
configuration code					JMA					
Acqua di mare (4) Sea water (4)		1	-5 +25		carbon - ceramic standard product					
configuration code										
Acqua di mare (6) Sea water (6)		1	-5 +25		not recommended					
configuration code										
Alcool Butilico Butyl alcohol	CH ₃ (CH ₂) ₇ OH	100	-5 +80	0,81	carbon - ceramic standard product			1	2	1
configuration code										
Alcool Etilico Ethyl alcohol (Ethanol)		100	-5 +40	0,81	carbon - ceramic standard product					
configuration code										
Alcool Metilico Methyl alcohol	CH ₃ OH	100	-5 +40	0,79	carbon - ceramic standard product			2	1	3
configuration code										
Diclorometano Chloroform	CHCl ₃	1	-5 +30	1,48	Carbon di tung. - Carb. di sil. JMA		3	2	3	
configuration code										
Freon 112	CCl ₂ F ₂	100	-5	1,57			2	2	3	

WATER REQUIREMENTS IN CIVIL USERS

Determination of the water requirement depends on the type of users and contemporaneity factor. The calculation may be subject to regulations, standards or customs that may vary from country to country. The calculation method shown below is an example based on practical experience, designed to provide a reference value and not a substitute for detailed analytical calculation.

Water requirements in condominiums

The **consumption table** shows the maximum values for each delivery point, depending on the plumbing amenities.

MAXIMUM CONSUMPTION FOR EACH DELIVERY POINT

TYPE	CONSUMPTION (l/min)
Sink	9
Dishwasher	10
Washing machine	12
Shower	12
Bathtub	15
Washbasin	6
Bidet	6
Flush tank WC	6
Controlled flushing system WC	90

G-at-cm_a_th

The **sum of the water consumption values** of each delivery point determines the maximum theoretical requirement, which must be reduced according to the **contemporaneity coefficient**, because in actual fact the delivery points are never used all together.

$f = \frac{1}{\sqrt{(0,857 \times Nr \times Na)}}$	Coefficient for apartments with one bathroom and flush tank WC
$f = \frac{1}{\sqrt{(0,857 \times Nr \times Na)}}$	Coefficient for apartments with one bathroom and controlled flushing system WC
$f = \frac{1,03}{\sqrt{(0,545 \times Nr \times Na)}}$	Coefficient for apartments with two bathrooms and flush tank WC
$f = \frac{0,8}{\sqrt{(0,727 \times Nr \times Na)}}$	Coefficient for apartments with two bathrooms and controlled flushing system WC
f= coefficient; Nr= number of delivery points; Na= number of apartments	

The **table of water requirements in civil users** shows the maximum contemporaneity flow-rate values based on the **number of apartments** and the type of WC for apartments with one bathroom and two bathrooms. As regards apartments with one bathroom, 7 drawing points have been taken into consideration, while 11 points have been considered for apartments with two bathrooms. If the number of drawing points or apartments is different, use the formulas to **calculate** the requirement.

TABLE OF WATER REQUIREMENTS IN CIVIL USERS

NUMBER OF APARTMENTS	WITH FLUSH TANK WC		WITH CONTROLLED FLUSHING SYSTEM WC	
	1	2	1	2
FLOW RATE (l/min)				
1	32	40	60	79
2	45	56	85	111
3	55	68	105	136
4	63	79	121	157
5	71	88	135	176
6	78	97	148	193
7	84	105	160	208
8	90	112	171	223
9	95	119	181	236
10	100	125	191	249
11	105	131	200	261
12	110	137	209	273
13	114	143	218	284
14	119	148	226	295
15	123	153	234	305
16	127	158	242	315
17	131	163	249	325
18	134	168	256	334
19	138	172	263	343
20	142	177	270	352
21	145	181	277	361
22	149	185	283	369
23	152	190	290	378
24	155	194	296	386
25	158	198	302	394
26	162	202	308	401
27	165	205	314	409
28	168	209	320	417
29	171	213	325	424
30	174	217	331	431
35	187	234	357	466
40	200	250	382	498
45	213	265	405	528
50	224	280	427	557
55	235	293	448	584
60	245	306	468	610
65	255	319	487	635
70	265	331	506	659
75	274	342	523	682
80	283	354	540	704
85	292	364	557	726
90	301	375	573	747
95	309	385	589	767
100	317	395	604	787
120	347	433	662	863
140	375	468	715	932
160	401	500	764	996
180	425	530	811	1056
200	448	559	854	1114

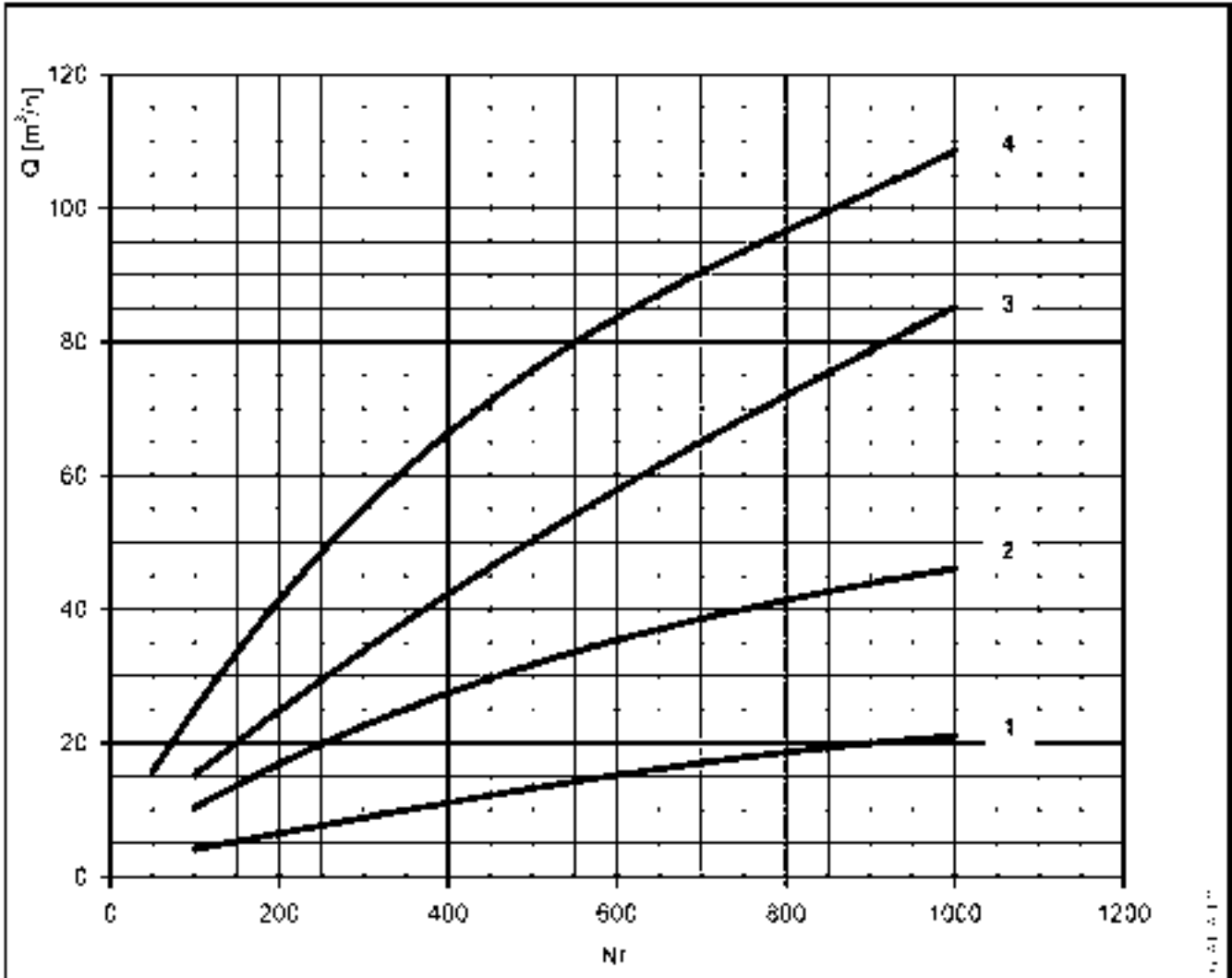
For seaside resorts, a flow rate increased by at least 20% must be considered.

G-at-fi_a_th

WATER REQUIREMENTS FOR COMMUNITY BUILDINGS

The requirements of buildings intended for specific uses, such as **offices, residential units, hotels, department stores, nursing homes** and so on, are different from those of condominiums, and both their global daily water consumption and the maximum contemporaneity flow rate are usually greater. The **diagram of water requirements for community buildings** shows the maximum contemporaneity flow rate of some types of communities, for guidance.

These requirements must be determined case by case with the utmost accuracy, using analytical calculation methods, according to particular needs and local provisions.



For seaside resorts, the flow rate must be increased by at least 20%.

- 1 = Offices (N. of people)
- 2 = Department stores (N. of people)
- 3 = Nursing homes (N. of beds)
- 4 = Hotels, residences (N. of beds)

NPSH

The minimum operating values that can be reached at the pump suction end are limited by the onset of cavitation.

Cavitation is the formation of vapour-filled cavities within liquids where the pressure is locally reduced to a critical value, or where the local pressure is equal to, or just below the vapour pressure of the liquid.

The vapour-filled cavities flow with the current and when they reach a higher pressure area the vapour contained in the cavities condenses. The cavities collide, generating pressure waves that are transmitted to the walls. These, being subjected to stress cycles, gradually become deformed and yield due to fatigue. This phenomenon, characterized by a metallic noise produced by the hammering on the pipe walls, is called incipient cavitation.

The damage caused by cavitation may be magnified by electrochemical corrosion and a local rise in temperature due to the plastic deformation of the walls. The materials that offer the highest resistance to heat and corrosion are alloy steels, especially austenitic steel. The conditions that trigger cavitation may be assessed by calculating the total net suction head, referred to in technical literature with the acronym NPSH (Net Positive Suction Head).

The NPSH represents the total energy (expressed in m.) of the liquid measured at suction under conditions of incipient cavitation, excluding the vapour pressure (expressed in m.) that the liquid has at the pump inlet.

To find the static height h_z at which to install the machine under safe conditions, the following formula must be verified:

$$h_p + h_z \geq (\text{NPSH}_r + 0.5) + h_f + h_{pv} \quad \textcircled{1}$$

where:

h_p is the absolute pressure applied to the free liquid surface in the suction tank, expressed in m. of liquid; h_p is the quotient between the barometric pressure and the specific weight of the liquid.

h_z is the suction lift between the pump axis and the free liquid surface in the suction tank, expressed in m.; h_z is negative when the liquid level is lower than the pump axis.

h_f is the flow resistance in the suction line and its accessories, such as: fittings, foot valve, gate valve, elbows, etc.

h_{pv} is the vapour pressure of the liquid at the operating temperature, expressed in m. of liquid. h_{pv} is the quotient between the Pv vapour pressure and the liquid's specific weight.

0,5 is the safety factor.

The maximum possible suction head for installation depends on the value of the atmospheric pressure (i.e. the elevation above sea level at which the pump is installed) and the temperature of the liquid.

To help the user, with reference to water temperature (4° C) and to the elevation above sea level, the following tables show the drop in hydraulic pressure head in relation to the elevation above sea level, and the suction loss in relation to temperature.

Water temperature (°C)	20	40	60	80	90	110	120
Suction loss (m)	0,2	0,7	2,0	5,0	7,4	15,4	21,5

Elevation above sea level (m)	500	1000	1500	2000	2500	3000
Suction loss (m)	0,55	1,1	1,65	2,2	2,75	3,3

Friction loss is shown in the tables at pages 40-41 of this catalogue. To reduce it to a minimum, especially in cases of high suction head (over 4-5 m.) or within the operating limits with high flow rates, we recommend using a suction line having a larger diameter than that of the pump's suction port. It is always a good idea to position the pump as close as possible to the liquid to be pumped.

Make the following calculation:

Liquid: water at ~15°C $\gamma = 1 \text{ kg/dm}^3$

Flow rate required: 30 m³/h

Head for required delivery: 43 m.

Suction lift: 3,5 m.

The selection is an FHE 40-200/75 pump whose NPSH required value is, at 30 m³/h, di 2,5 m.

For water at 15 °C

$$h_p = P_a / \gamma = 10,33\text{m}, h_{pv} = P_v / \gamma = 0,174\text{m} (0,01701 \text{ bar})$$

The H_f flow resistance in the suction line with foot valves is ~ 1,2 m.

By substituting the parameters in formula $\textcircled{1}$ with the numeric values above, we have:

$$10,33 + (-3,5) \geq (2,5 + 0,5) + 1,2 + 0,17$$

from which we have: 6,8 > 4,4

The relation is therefore verified.

TECHNICAL APPENDIX VAPOUR PRESSURE PS VAPOUR PRESSURE AND ρ DENSITY OF WATER TABLE

t °C	T K	ps bar	ρ kg/dm ³	t °C	T K	ps bar	ρ kg/dm ³	t °C	T K	ps bar	ρ kg/dm ³
0	273,15	0,00611	0,9998	55	328,15	0,15741	0,9857	120	393,15	1,9854	0,9429
1	274,15	0,00657	0,9999	56	329,15	0,16511	0,9852	122	395,15	2,1145	0,9412
2	275,15	0,00706	0,9999	57	330,15	0,17313	0,9846	124	397,15	2,2504	0,9396
3	276,15	0,00758	0,9999	58	331,15	0,18147	0,9842	126	399,15	2,3933	0,9379
4	277,15	0,00813	1,0000	59	332,15	0,19016	0,9837	128	401,15	2,5435	0,9362
5	278,15	0,00872	1,0000	60	333,15	0,1992	0,9832	130	403,15	2,7013	0,9346
6	279,15	0,00935	1,0000	61	334,15	0,2086	0,9826	132	405,15	2,867	0,9328
7	280,15	0,01001	0,9999	62	335,15	0,2184	0,9821	134	407,15	3,041	0,9311
8	281,15	0,01072	0,9999	63	336,15	0,2286	0,9816	136	409,15	3,223	0,9294
9	282,15	0,01147	0,9998	64	337,15	0,2391	0,9811	138	411,15	3,414	0,9276
10	283,15	0,01227	0,9997	65	338,15	0,2501	0,9805	140	413,15	3,614	0,9258
11	284,15	0,01312	0,9997	66	339,15	0,2615	0,9799	145	418,15	4,155	0,9214
12	285,15	0,01401	0,9996	67	340,15	0,2733	0,9793	155	428,15	5,433	0,9121
13	286,15	0,01497	0,9994	68	341,15	0,2856	0,9788	160	433,15	6,181	0,9073
14	287,15	0,01597	0,9993	69	342,15	0,2984	0,9782	165	438,15	7,008	0,9024
15	288,15	0,01704	0,9992	70	343,15	0,3116	0,9777	170	443,15	7,920	0,8973
16	289,15	0,01817	0,9990	71	344,15	0,3253	0,9770	175	448,15	8,924	0,8921
17	290,15	0,01936	0,9988	72	345,15	0,3396	0,9765	180	453,15	10,027	0,8869
18	291,15	0,02062	0,9987	73	346,15	0,3543	0,9760	185	458,15	11,233	0,8815
19	292,15	0,02196	0,9985	74	347,15	0,3696	0,9753	190	463,15	12,551	0,8760
20	293,15	0,02337	0,9983	75	348,15	0,3855	0,9748	195	468,15	13,987	0,8704
21	294,15	0,24850	0,9981	76	349,15	0,4019	0,9741	200	473,15	15,550	0,8647
22	295,15	0,02642	0,9978	77	350,15	0,4189	0,9735	205	478,15	17,243	0,8588
23	296,15	0,02808	0,9976	78	351,15	0,4365	0,9729	210	483,15	19,077	0,8528
24	297,15	0,02982	0,9974	79	352,15	0,4547	0,9723	215	488,15	21,060	0,8467
25	298,15	0,03166	0,9971	80	353,15	0,4736	0,9716	220	493,15	23,198	0,8403
26	299,15	0,03360	0,9968	81	354,15	0,4931	0,9710	225	498,15	25,501	0,8339
27	300,15	0,03564	0,9966	82	355,15	0,5133	0,9704	230	503,15	27,976	0,8273
28	301,15	0,03778	0,9963	83	356,15	0,5342	0,9697	235	508,15	30,632	0,8205
29	302,15	0,04004	0,9960	84	357,15	0,5557	0,9691	240	513,15	33,478	0,8136
30	303,15	0,04241	0,9957	85	358,15	0,5780	0,9684	245	518,15	36,523	0,8065
31	304,15	0,04491	0,9954	86	359,15	0,6011	0,9678	250	523,15	39,776	0,7992
32	305,15	0,04753	0,9951	87	360,15	0,6249	0,9671	255	528,15	43,246	0,7916
33	306,15	0,05029	0,9947	88	361,15	0,6495	0,9665	260	533,15	46,943	0,7839
34	307,15	0,05318	0,9944	89	362,15	0,6749	0,9658	265	538,15	50,877	0,7759
35	308,15	0,05622	0,9940	90	363,15	0,7011	0,9652	270	543,15	55,058	0,7678
36	309,15	0,05940	0,9937	91	364,15	0,7281	0,9644	275	548,15	59,496	0,7593
37	310,15	0,06274	0,9933	92	365,15	0,7561	0,9638	280	553,15	64,202	0,7505
38	311,15	0,06624	0,9930	93	366,15	0,7849	0,9630	285	558,15	69,186	0,7415
39	312,15	0,06991	0,9927	94	367,15	0,8146	0,9624	290	563,15	74,461	0,7321
40	313,15	0,07375	0,9923	95	368,15	0,8453	0,9616	295	568,15	80,037	0,7223
41	314,15	0,07777	0,9919	96	369,15	0,8769	0,9610	300	573,15	85,927	0,7122
42	315,15	0,08198	0,9915	97	370,15	0,9094	0,9602	305	578,15	92,144	0,7017
43	316,15	0,09639	0,9911	98	371,15	0,9430	0,9596	310	583,15	98,70	0,6906
44	317,15	0,09100	0,9907	99	372,15	0,9776	0,9586	315	588,15	105,61	0,6791
45	318,15	0,09582	0,9902	100	373,15	1,0133	0,9581	320	593,15	112,89	0,6669
46	319,15	0,10086	0,9898	102	375,15	1,0878	0,9567	325	598,15	120,56	0,6541
47	320,15	0,10612	0,9894	104	377,15	1,1668	0,9552	330	603,15	128,63	0,6404
48	321,15	0,11162	0,9889	106	379,15	1,2504	0,9537	340	613,15	146,05	0,6102
49	322,15	0,11736	0,9884	108	381,15	1,3390	0,9522	350	623,15	165,35	0,5743
50	323,15	0,12335	0,9880	110	383,15	1,4327	0,9507	360	633,15	186,75	0,5275
51	324,15	0,12961	0,9876	112	385,15	1,5316	0,9491	370	643,15	210,54	0,4518
52	325,15	0,13613	0,9871	114	387,15	1,6362	0,9476	374,15	647,30	221,20	0,3154
53	326,15	0,14293	0,9862	116	389,15	1,7465	0,9460				
54	327,15	0,15002	0,9862	118	391,15	1,8628	0,9445				

G-at_nps_h_a_sc

TABLE OF FLOW RESISTANCE IN 100 m OF STRAIGHT CAST IRON PIPELINE (HAZEN-WILLIAMS FORMULA C=100)

FLOW RATE m ³ /h l/min		NOMINAL DIAMETER in mm and INCHES																	
		15 1/2"	20 3/4"	25 1"	32 1 1/4"	40 1 1/2"	50 2	65 2 1/2"	80 3"	100 4"	125 5"	150 6"	175 7"	200 8"	250 10"	300 12"	350 14"	400 16"	
0,6	10	v 0,94	0,53	0,34	0,21	0,13													
		hr 16	3,94	1,33	0,40	0,13													
0,9	15	v 1,42	0,80	0,51	0,31	0,20													
		hr 33,9	8,35	2,82	0,85	0,29													
1,2	20	v 1,89	1,06	0,68	0,41	0,27	0,17												
		hr 57,7	14,21	4,79	1,44	0,49	0,16												
1,5	25	v 2,36	1,33	0,85	0,52	0,33	0,21												
		hr 87,2	21,5	7,24	2,18	0,73	0,25												
1,8	30	v 2,83	1,59	1,02	0,62	0,40	0,25												
		hr 122	30,1	10,1	3,05	1,03	0,35												
2,1	35	v 3,30	1,86	1,19	0,73	0,46	0,30												
		hr 162	40,0	13,5	4,06	1,37	0,46												
2,4	40	v 2,12	1,36	0,83	0,53	0,34	0,20												
		hr 51,2	17,3	5,19	1,75	0,59	0,16												
3	50	v 2,65	1,70	1,04	0,66	0,42	0,25												
		hr 77,4	26,1	7,85	2,65	0,89	0,25												
3,6	60	v 3,18	2,04	1,24	0,80	0,51	0,30												
		hr 108	36,6	11,0	3,71	1,25	0,35												
4,2	70	v 3,72	2,38	1,45	0,93	0,59	0,35												
		hr 144	48,7	14,6	4,93	1,66	0,46												
4,8	80	v 4,25	2,72	1,66	1,06	0,68	0,40												
		hr 185	62,3	18,7	6,32	2,13	0,59												
5,4	90	v 3,06	1,87	1,19	0,76	0,45	0,30												
		hr 77,5	23,3	7,85	2,65	0,74	0,27												
6	100	v 3,40	2,07	1,33	0,85	0,50	0,33												
		hr 94,1	28,3	9,54	3,22	0,90	0,33												
7,5	125	v 4,25	2,59	1,66	1,06	0,63	0,41												
		hr 142	42,8	14,4	4,86	1,36	0,49												
9	150	v 3,11	1,99	1,27	0,75	0,50	0,32												
		hr 59,9	20,2	6,82	1,90	0,69	0,23												
10,5	175	v 3,63	2,32	1,49	0,88	0,58	0,37												
		hr 79,7	26,9	9,07	2,53	0,92	0,31												
12	200	v 4,15	2,65	1,70	1,01	0,66	0,42												
		hr 102	34,4	11,6	3,23	1,18	0,40												
15	250	v 5,18	3,32	2,12	1,26	0,83	0,53	0,34											
		hr 154	52,0	17,5	4,89	1,78	0,20	0,20											
18	300	v 3,98	2,55	1,51	1,00	0,64	0,41												
		hr 72,8	24,6	6,85	2,49	0,84	0,28												
24	400	v 5,31	3,40	2,01	1,33	0,85	0,54	0,38											
		hr 124	41,8	11,66	4,24	1,43	0,48	0,20											
30	500	v 6,63	4,25	2,51	1,66	1,06	0,68	0,47											
		hr 187	63,2	17,6	6,41	2,16	0,73	0,30											
36	600	v 5,10	3,02	1,99	1,27	0,82	0,57	0,42											
		hr 88,6	24,7	8,98	3,03	1,02	0,42	0,20											
42	700	v 5,94	3,52	2,32	1,49	0,95	0,66	0,49											
		hr 118	32,8	11,9	4,03	1,36	0,56	0,26											
48	800	v 6,79	4,02	2,65	1,70	1,09	0,75	0,55											
		hr 151	42,0	15,3	5,16	1,74	0,72	0,34											
54	900	v 7,64	4,52	2,99	1,91	1,22	0,85	0,62											
		hr 188	52,3	19,0	6,41	2,16	0,89	0,42											
60	1000	v 5,03	3,32	2,12	1,36	0,94	0,69	0,53											
		hr 63,5	23,1	7,79	2,63	1,08	0,51	0,27											
75	1250	v 6,28	4,15	2,65	1,70	1,18	0,87	0,66											
		hr 96,0	34,9	11,8	3,97	1,63	0,77	0,40											
90	1500	v 7,54	4,98	3,18	2,04	1,42	1,04	0,80											
		hr 134	48,9	16,5	5,57	2,29	1,08	0,56											
105	1750	v 8,79	5,81	3,72	2,38	1,65	1,21	0,93											
		hr 179	65,1	21,9	7,40	3,05	1,44	0,75											
120	2000	v 6,63	4,25	2,72	1,89	1,39	1,06	0,68											
		hr 83,3	28,1	9,48	3,90	1,84	0,96	0,32											
150	2500	v 8,29	5,31	3,40	2,36	1,73	1,33	0,85											
		hr 126	42,5	14,3	5,89	2,78	1,45	0,49											
180	3000	v 6,37	4,08	2,83	2,08	1,59	1,02	0,71											
		hr 59,5	20,1	8,26	3,90	2,03	0,69	0,28											
210	3500	v 7,43	4,76	3,30	2,43	1,86	1,19	0,83											
		hr 79,1	26,7	11,0	5,18	2,71	0,91	0,38											
240	4000	v 8,49	5,44	3,77	2,72	2,12	1,36	0,94											
		hr 101	34,2	14,1	6,64	3,46	1,17	0,48											
300	5000	v 6,79	4,72	3,47	2,65	1,70	1,18	0,87											
		hr 51,6	21,2	10,0	5,23	1,77	0,73	0,34											
360	6000	v 8,15	5,66	4,16	3,18	2,04	1,42	1,02											
		hr 72,3	29,8	14,1	7,33	2,47	1,02	0,48											
420	7000	v 6,61	4,85	3,72	2,38	1,65	1,21	0,93											
		hr 39,6	18,7	9,75	3,29	1,35	0,82	0,34											
480	8000	v 7,55	5,55	4,25	2,72	1,89	1,39	1,06											
		hr 50,7	23,9	12,49	4,21	1,73	0,82	0,34											
540	9000	v 8,49	6,24	4,78	3,06	2,12	1,56	1,19											
		hr 63,0	29,8	15,5	5,24	2,16	1,02	0,53											
600	10000	v 6,93	5,31	3,40	2,36	1,73	1,33	0,85											
		hr 36,2	18,9	6,36	2,62	1,24	0,65	0,26											

The hr values must be multiplied by:
 0.71 for galvanized or painted steel pipes
 0.54 for stainless steel or copper pipes
 0.47 for PVC or PE pipes

hr = flow resistance for 100m of straight pipeline (m)
 V = water speed (m/s)

G-at-pct_a_th

FLOW RESISTANCE

TABLE OF FLOW RESISTANCE IN BENDS, VALVES AND GATES

The flow resistance is calculated using the equivalent pipeline length method according to the table below:

ACCESSORY TYPE	DN											
	25	32	40	50	65	80	100	125	150	200	250	300
	Equivalent pipeline length (m)											
45° bend	0,2	0,2	0,4	0,4	0,6	0,6	0,9	1,1	1,5	1,9	2,4	2,8
90° bend	0,4	0,6	0,9	1,1	1,3	1,5	2,1	2,6	3,0	3,9	4,7	5,8
90° smooth bend	0,4	0,4	0,4	0,6	0,9	1,1	1,3	1,7	1,9	2,8	3,4	3,9
Union tee or cross	1,1	1,3	1,7	2,1	2,6	3,2	4,3	5,3	6,4	7,5	10,7	12,8
Gate	-	-	-	0,2	0,2	0,2	0,4	0,4	0,6	0,9	1,1	1,3
Non return valve	1,1	1,5	1,9	2,4	3,0	3,4	4,7	5,9	7,4	9,6	11,8	13,9

G-a-pcv_a_th

The table is valid for the Hazen Williams coefficient $C = 100$ (cast iron pipework). For steel pipework, multiply the values by 1.41. For stainless steel, copper and coated cast iron pipework, multiply the values by 1.85.

When the **equivalent pipeline length** has been determined, the flow resistance is obtained from the table of flow resistance.

The values given are guideline values which are bound to vary slightly according to the model, especially for gate valves and non-return valves, for which it is a good idea to check the values supplied by the manufacturers.

VOLUMETRIC CAPACITY

Litres per minute l/min	Cubic metres per hour m ³ /h	Cubic feet per hour ft ³ /h	Cubic feet per minute ft ³ /min	Imp. gal. per minute Imp. gal./min	US gal. per minute Us gal./min
1,000	0,0600	2,1189	0,0353	0,2200	0,2642
16,6667	1,000	35,3147	0,5886	3,6662	4,4029
0,4719	0,0283	1,000	0,0167	0,1038	0,1247
28,3168	1,6990	60,0000	1,000	6,2288	7,4805
4,5461	0,2728	9,6326	0,1605	1,000	1,2009
3,7854	0,2271	8,0208	0,1337	0,8327	1,000

PRESSURE AND HEAD

Newton per square metre N/m ²	kilo Pascal kPa	bar bar	Pound force per square inch psi	metre of water m H ₂ O	millimetre of mercury mm Hg
1,000	0,0010	1 x 10 ⁻⁵	1.45 x 10 ⁻⁴	1.02 x 10 ⁻⁴	0,0075
1000,0000	1,000	0,0100	0,1450	0,1020	7,5006
1 x 10 ⁵	100,0000	1,000	14,5038	10,1972	750,0638
6894,7570	6,8948	0,0689	1,000	0,7031	51,7151
9806,6500	9,8067	0,0981	1,4223	1,000	73,5561
133,3220	0,1333	0,0013	0,0193	0,0136	1,000

LENGTH

millimetre mm	centimetre cm	metre m	inch in	foot ft	yard yd
1,000	0,1000	0,0010	0,0394	0,0033	0,0011
10,0000	1,000	0,0100	0,3937	0,0328	0,0109
1000,0000	100,0000	1,000	39,3701	3,2808	1,0936
25,4000	2,5400	0,0254	1,000	0,0833	0,0278
304,8000	30,4800	0,3048	12,0000	1,000	0,3333
914,4000	91,4400	0,9144	36,0000	3,0000	1,000

VOLUME

cubic metre m ³	litre litro	millilitre ml	imp. Gallon imp. gal.	US gallon US gal.	cubic foot ft ³
1,000	1000,0000	1 x 10 ⁶	219,9694	264,1720	35,3147
0,0010	1,000	1000,0000	0,2200	0,2642	0,0353
1 x 10 ⁻⁶	0,0010	1,000	2.2 x 10 ⁻⁴	2.642 x 10 ⁻⁴	3.53 x 10 ⁻⁵
0,0045	4,5461	4546,0870	1,000	1,2009	0,1605
0,0038	3,7854	3785,4120	0,8327	1,000	0,1337
0,0283	28,3168	28316,8466	6,2288	7,4805	1,000

G-at_pp-en_a_sc

FURTHER PRODUCT SELECTION AND DOCUMENTATION

Xylect



Xylect is pump solution selection software with an extensive online database of product information across the entire Lowara, and Vogel range of pumps and related products, with multiple search options and helpful project management facilities. The system holds up-to-date product information on thousands of products and accessories.

The possibility to search by applications and the detailed information output given makes it easy to make the optimal selection without having detailed knowledge about the Lowara and Vogel products.

The search can be made by:

- Application
- Product type
- Duty point

Xylect gives a detailed output:

- List with search results
- Performance curves (flow, head, power, efficiency, NPSH)
- Motor data
- Dimensional drawings
- Options
- Data sheet printouts
- Document downloads incl dxf files



The search by application guides users not familiar with the product range to the right choice.

FURTHER PRODUCT SELECTION AND DOCUMENTATION

Xylect



The detailed output makes it easy to select the optimal pump from the given alternatives.

The best way to work with Xylect is to create a personal account. This makes it possible to:

- Set own standard units
- Create and save projects
- Share projects with other Xylect users

Every user have a My Xylect space, where all projects are saved.

For more information about Xylect please contact our sales network or visit www.xylect.com.



Dimensional drawings appear on the screen and can be downloaded in dxf format.

Xylem |'zīləm|

- 1) The tissue in plants that brings water upward from the roots;
- 2) a leading global water technology company.

We're 12,000 people unified in a common purpose: creating innovative solutions to meet our world's water needs. Developing new technologies that will improve the way water is used, conserved, and re-used in the future is central to our work. We move, treat, analyze, and return water to the environment, and we help people use water efficiently, in their homes, buildings, factories and farms. In more than 150 countries, we have strong, long-standing relationships with customers who know us for our powerful combination of leading product brands and applications expertise, backed by a legacy of innovation.

For more information on how Xylem can help you, go to xylem.com.



Headquarters

LOWARA S.r.l. Unipersonale
Via Vittorio Lombardi 14
36075 Montecchio Maggiore - Vicenza - Italy
Tel. (+39) 0444 707111 - Fax (+39) 0444 492166
e-mail: lowara.mkt@xylem.com
web: www.lowara.com - www.completewatersystems.com

LOWARA reserves the right to make modification without prior notice.
LOWARA is a trademark of Xylem Inc. or one of its subsidiaries.