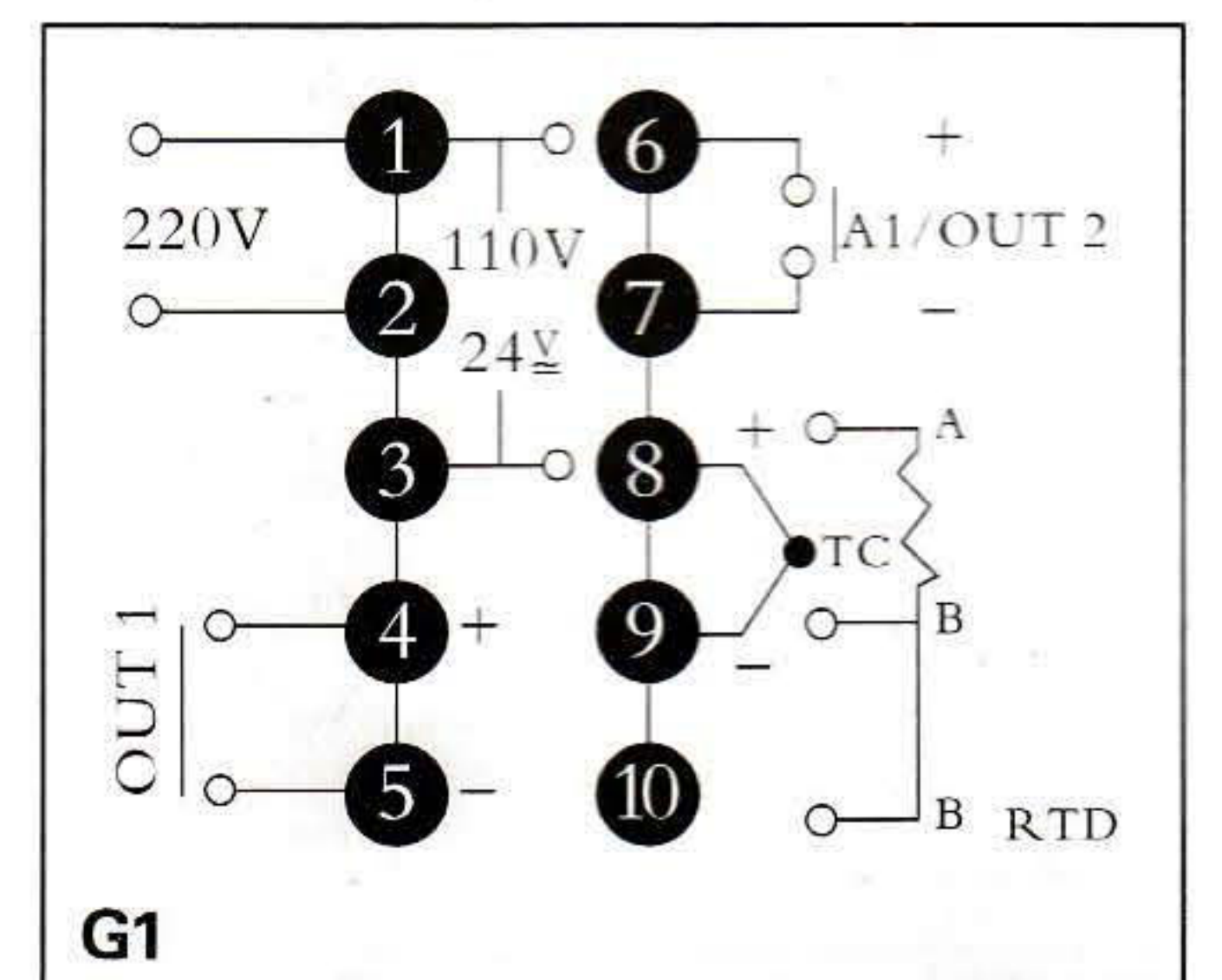
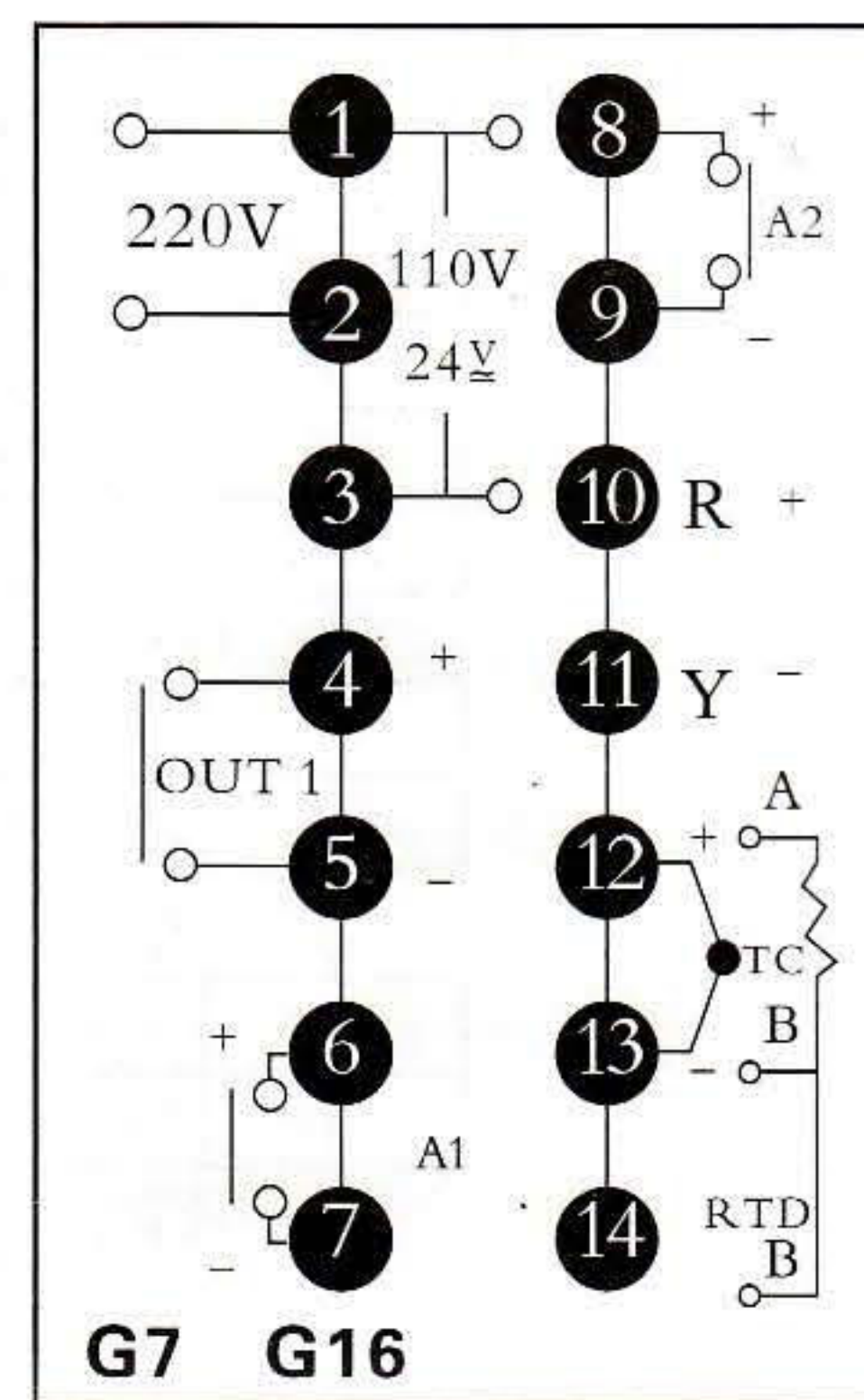
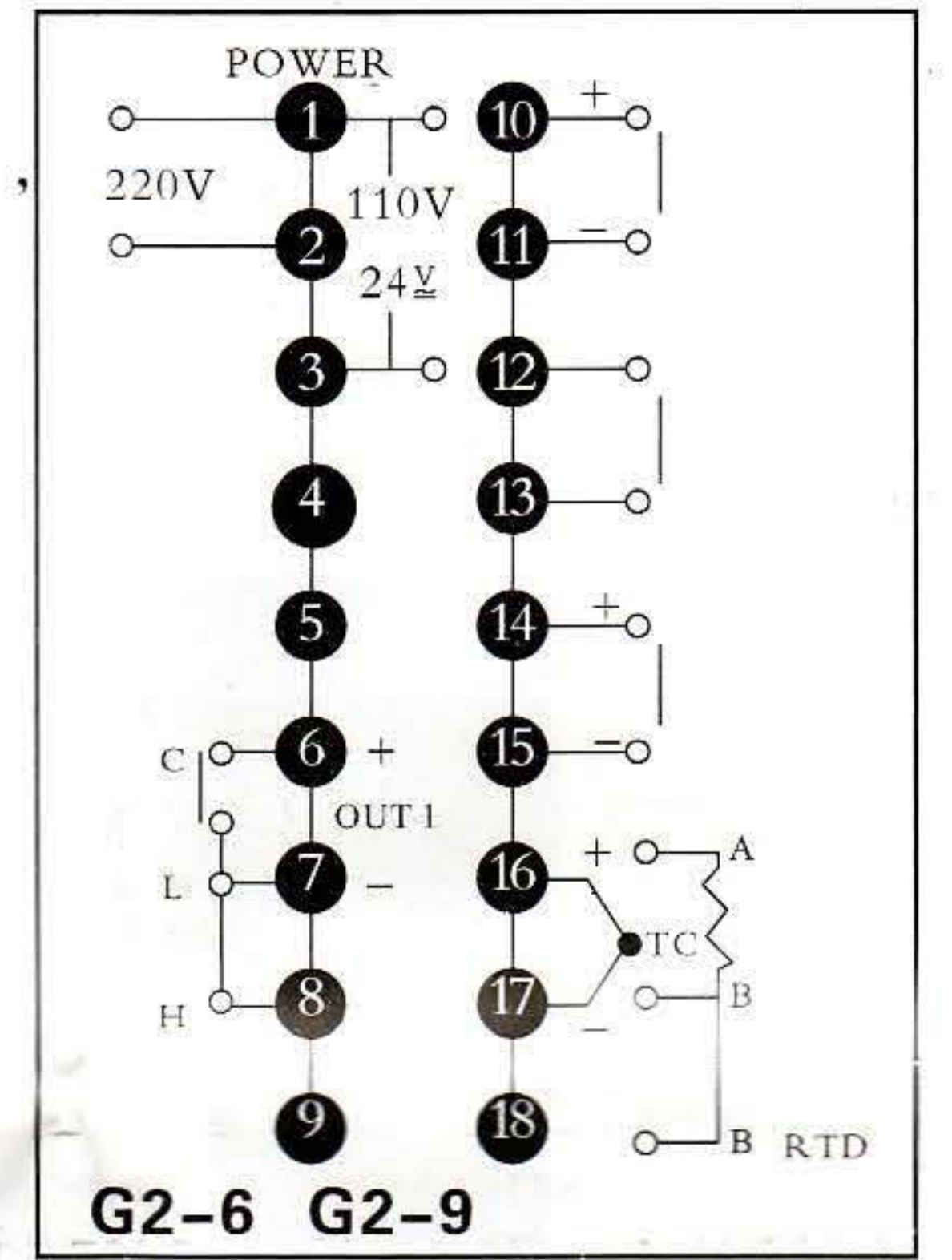
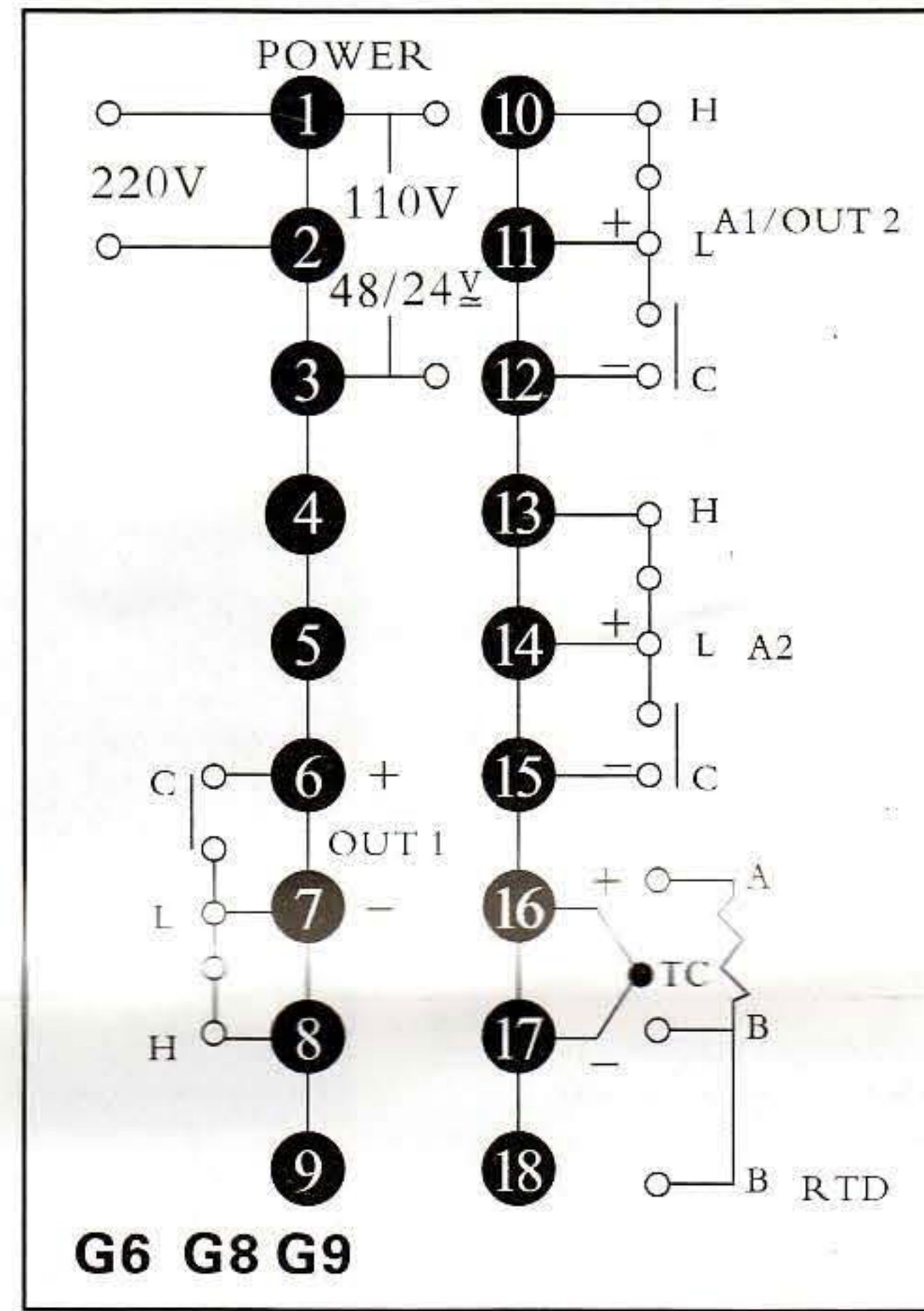


# Електролукс Electrolux

Model:

2500, 2501, 2502, 2503: wire contact

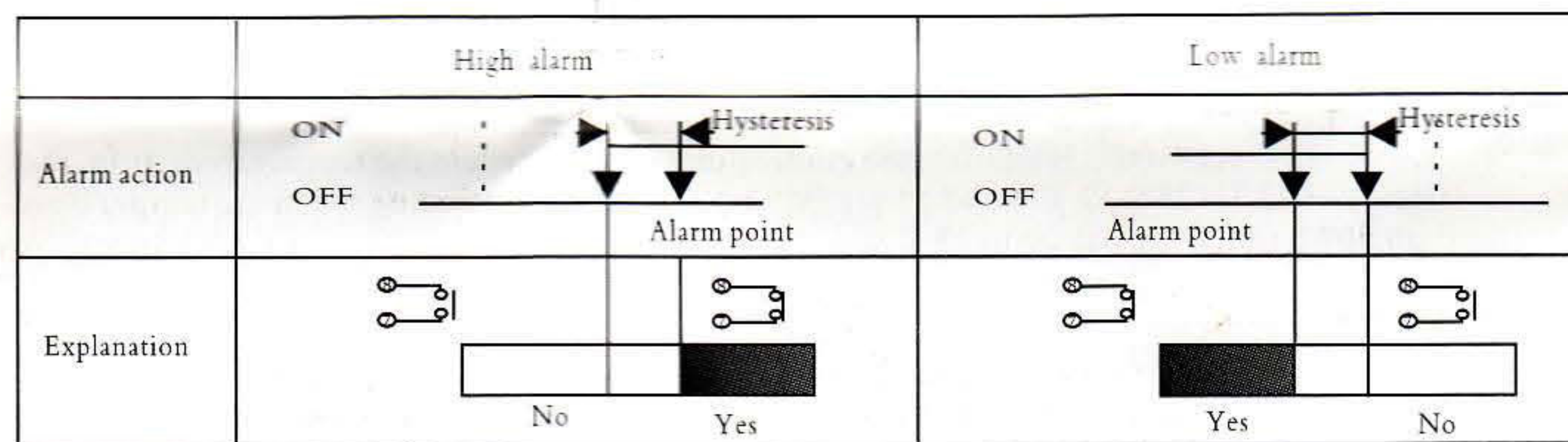
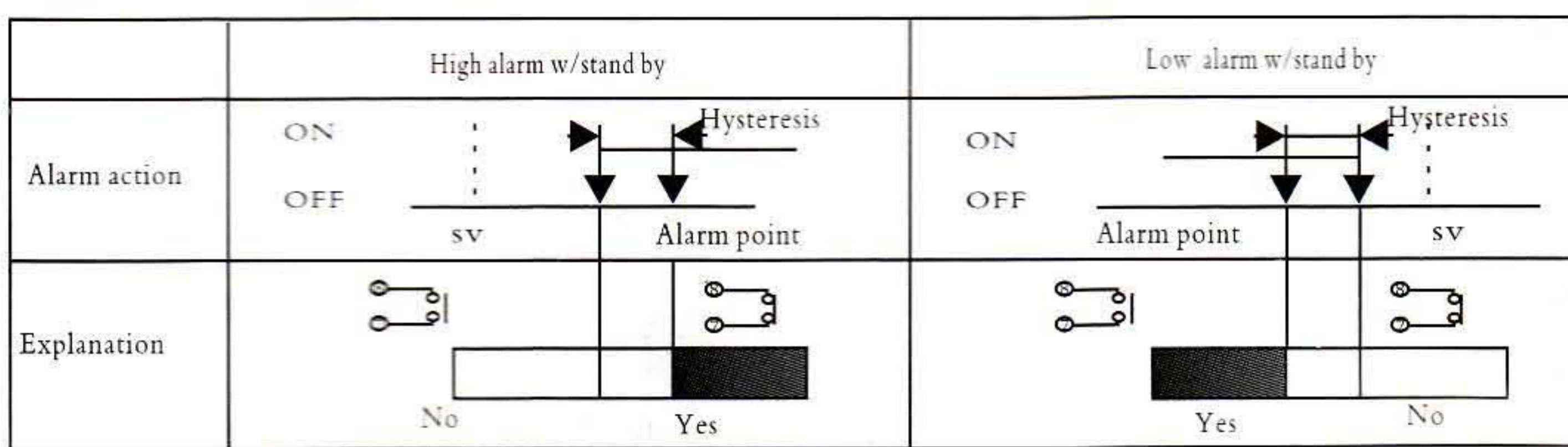
G	<input type="checkbox"/>	<input type="checkbox"/>	<input type="checkbox"/>	/	<input type="checkbox"/>	<input type="checkbox"/>	<input type="checkbox"/>	<input type="checkbox"/>	Explanation
Size	9								96mm *96mm *58mm
	8								48mm *96mm *58mm
	7								72mm *72mm *69mm
	6								96mm *48mm *58mm
	1								48mm *48mm *67mm
16								160mm *80mm *69mm	
Series	2000								2 rows of 4 figures
Output	0								No output
	R								Relay
	S								SSR
	G1								Controllable silicon trigger
Input	E								PT100, JPT100, K, E, J, S, T, B
Alarm 1	0								No Alarm
	A1								Alarm 1
Cooling output (option)	0								No cooling output
	DR								Relay for cooling output
	DS								SSR for cooling output
Alarm 2 (option)	0								No Alarm
	A2								Alarm 2
Power supply	0								220V 50Hz, Range: 185~380V AC
	B1								110V 50Hz, Range: 85~264V AC
	B2								48V AC/DC, Range: 44-52V AC/DC
	B3								24V AC/DC, Range: 20-28V AC/DC



## Tabulation:

Tabulation 1

Non	Noñ-alarm	ñl d	High Low range alarm
rH	High alarm w/stand by	cold	Cold output (A12 no)
rL	Low alarm w/stand by	rñE	Time alarm
AH	High alarm		
AL	Low alarm		
HL	High Low alarm		

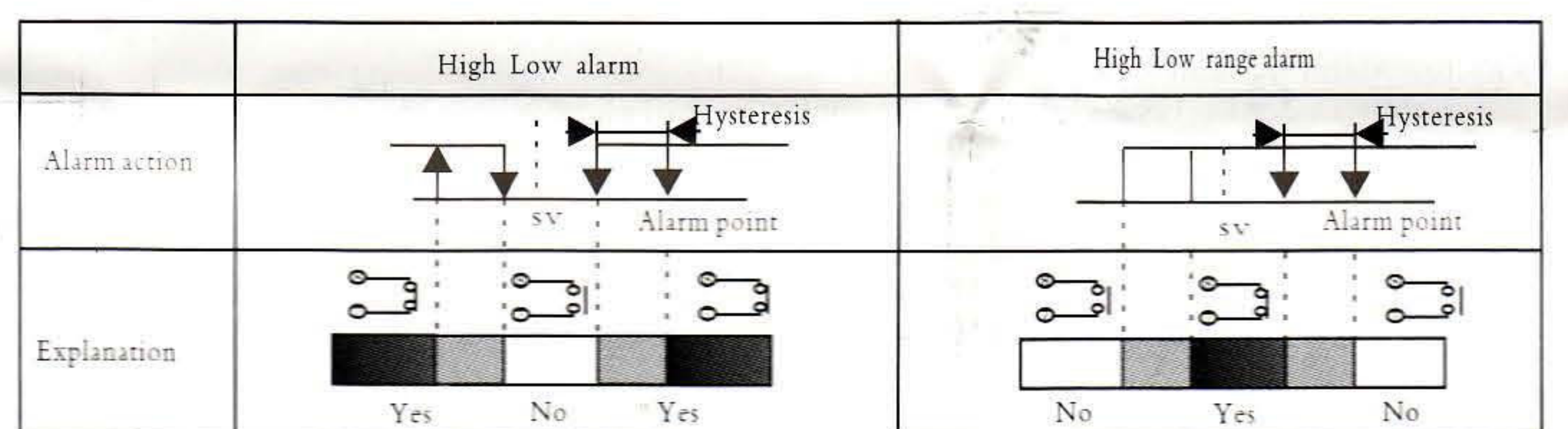


Tabulation 2

4r	SSR, 12V, ≤40mA
rLy	RLY250V.3A
4C	SSC

Tabulation 3

Pf	Pt100
JPf	Jpt100
E	Thermocouple K
E	Thermocouple E
S	Thermocouple S
r	Thermocouple R
b	Thermocouple B
J	Thermocouple J



Info centar:  
Bitola: Stara Carsija  
070/307 608  
www.electrolux.mk

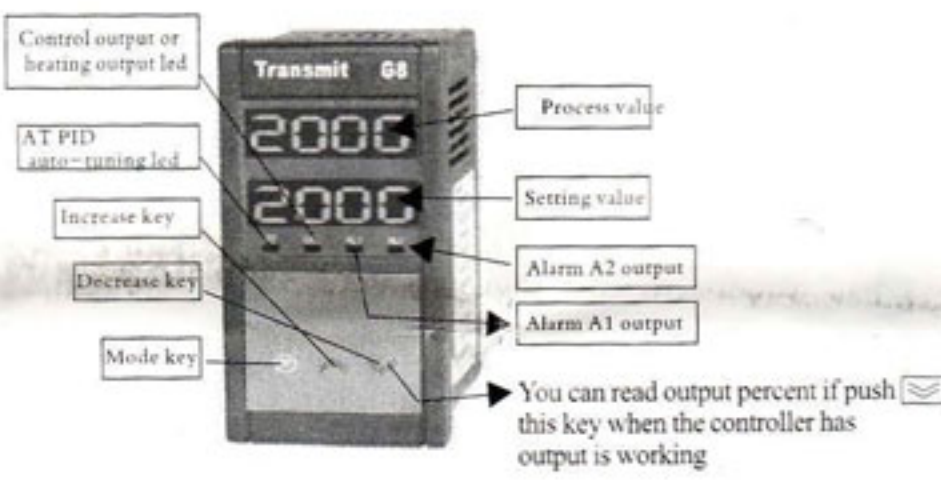


Info centar:  
Skopje: G.T.C. Bunjakovec  
070/307 969  
www.elektroluks.mk

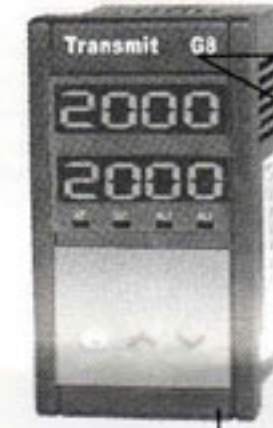
# Transmit-G 2000 Series Operating manual

Електролуке  
**Electrolux**

## Panel:

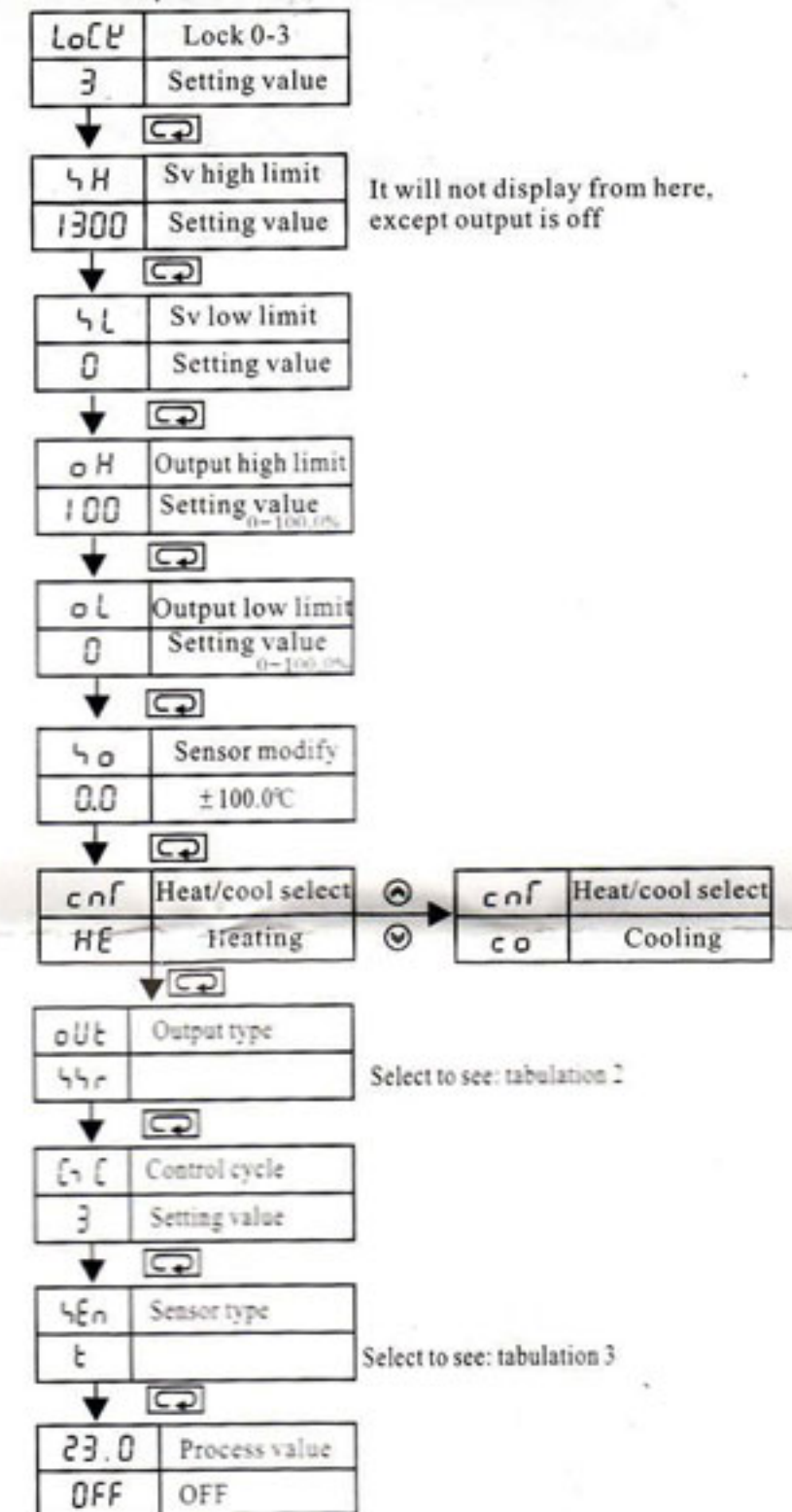
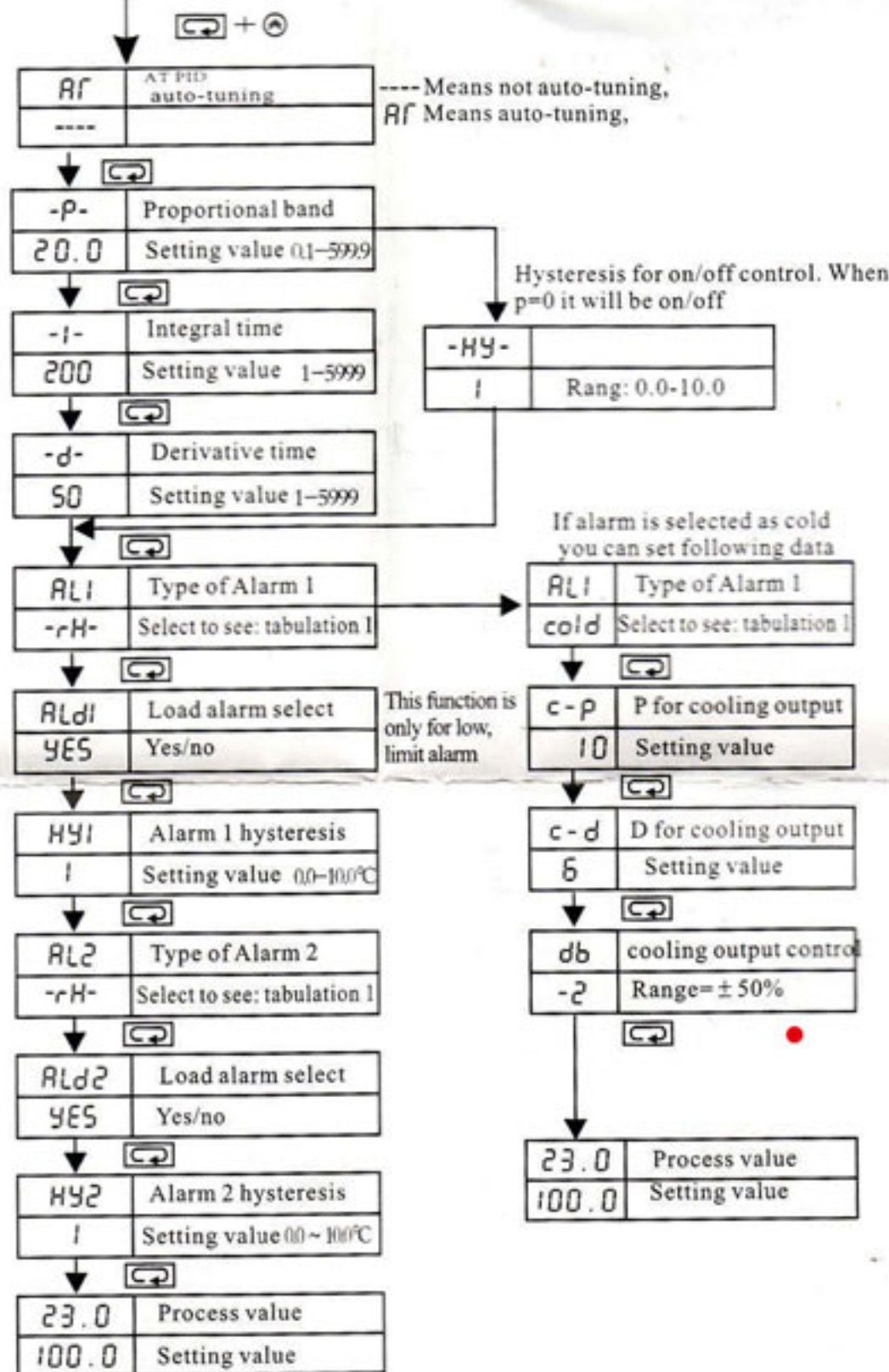
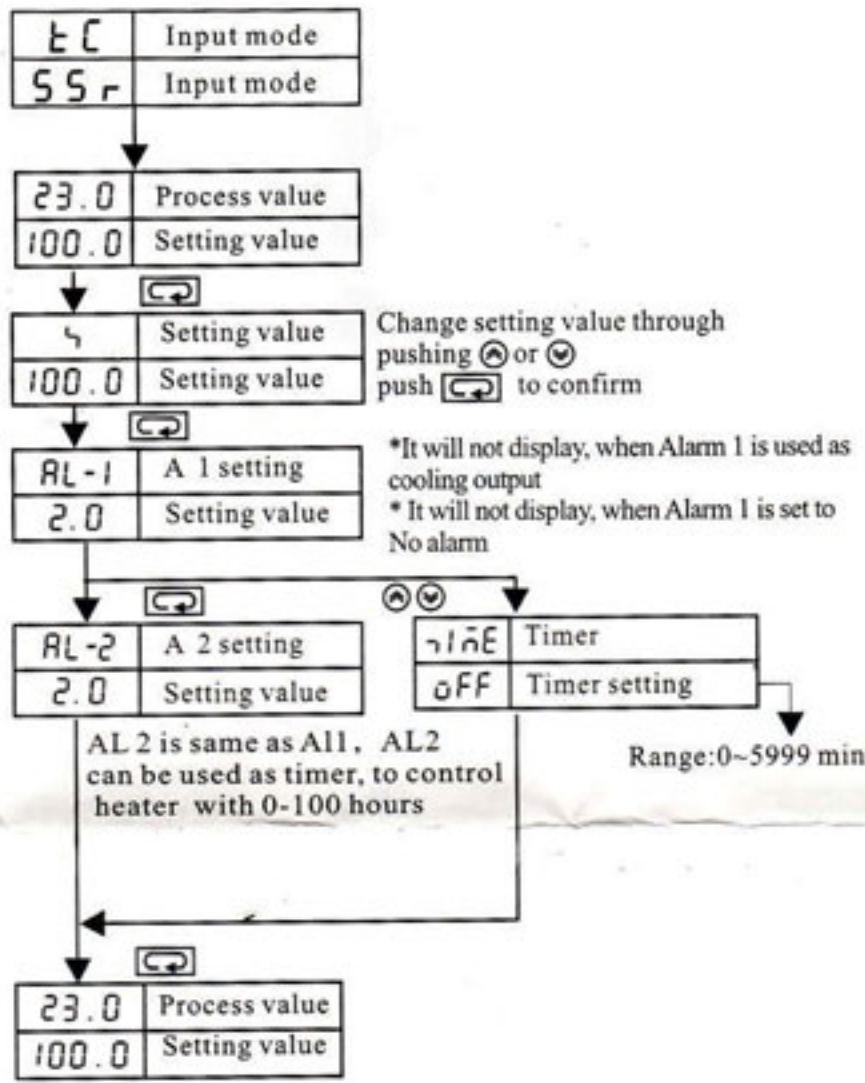


**How to go to OFF?**  
Push **[ON/OFF]** for about 4 seconds, you will see **23.0** → **100.0** → **OFF**  
Stop pushing.



**How to go back to 23.0 / 100.0 ?**  
Push **[ON/OFF]** again when **OFF** until you see **23.0** on Stop pushing.

## Operating manual:



## Alarm specification:

- rH** High alarm w/stand by  
Eg: S=25°C, AL(-1)=2°C HY1=1°C, the controller will alarm when the temperature goes up to 27°C (25°C+2°C) and stop alarming when the temperature goes down to 26°C (25°C+2°C-1°C).
- rL** low alarm w/stand by  
Eg: S=25°C, AL(-1)=2°C HY1=1°C, the controller will alarm when the temperature goes down to 23°C (25°C-2°C+1°C) and stop alarming when the temperature goes up to 24°C (25°C-2°C+1°C).
- RH** High alarm  
Eg: S=25°C, AL-1=2°C HY1=1°C, the controller will alarm when the temperature goes up to 27°C and stop alarming when the temperature goes down to 26°C (27°C -1°C).
- RL** Low alarm  
Eg: S=25°C, AL-1=2°C HY1=1°C, the controller will alarm when the temperature goes down to 23°C and stop alarming when the temperature goes up to 24°C (27°C -1°C).


- HL** high-Low alarm  
Eg: S=25°C, AL-1=2°C HY1=1°C, the controller will alarm when the temperature is 23°C or lower than 23°C, or when the temperature is 27°C or higher than 27°C and stop alarming when the temperature goes up to 24°C or goes to 26°C.
- oLd** High-Low range alarm  
Eg: S=25°C, AL-1=2°C HY1=1°C, the controller will alarm when the temperature is in the range of 23°C (25°C -2°C) and 27°C (25°C +2°C) and stop alarming when the temperature goes down to 22°C or goes up to 28°C.
- 1/10E** Timer  
Eg: If there is a heating system need timing without peoples monitoring, this function recommended. Setting range 1-5999 mins. AL2 will alarm when the time up.

Info centar:  
Bitola: Stara Carsija  
070/307 608  
www.electrolux.mk



Info centar:  
Skopje: G.T.C. Bunjakovec  
070/307 969  
www.elektroluks.mk



 Transmit G8

INT OUT AL1 AL2



