

External electrical condensate drain PWEA

FESTO



Fully automatic draining of condensate from the bowls of filters and filter regulating valves or from pneumatic systems – via the new external condensate drain. Efficient detection, fully automatic design, reliable operation.

Can be ordered with MS6, MS9 und MS12 service units or as separate component.

Maximum operational reliability

Reliable in use: A wear-free capacitive sensor detects all condensate – even pure oil. Thanks to its large cross-section, condensate is removed even in the case of coarse contamination. The intelligent system provides permanent monitoring and immediately signals any malfunction to a PLC or handheld device.

Minimal energy costs thanks to intelligent draining regulation.

No unnecessary loss of compressed air during evacuation since the system is sealed promptly via the intelligent PWEA control system.

Easy to install and maintain

Once installed, safe maintenance is ensured by means of simple isolation from the system.



No matter whether heavy contaminationor pure oil:

always reliable and economical.

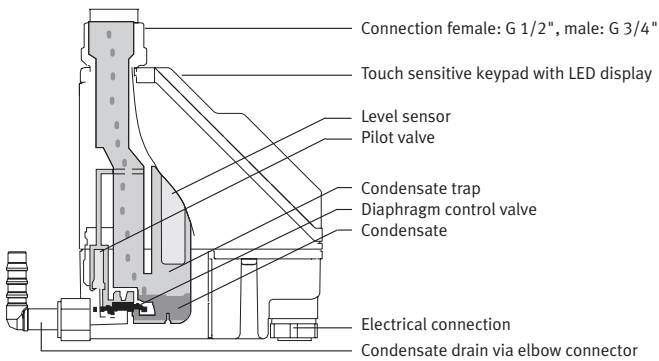
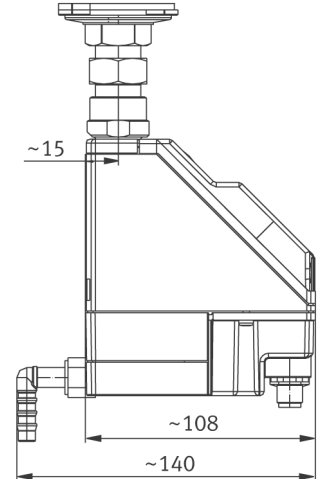
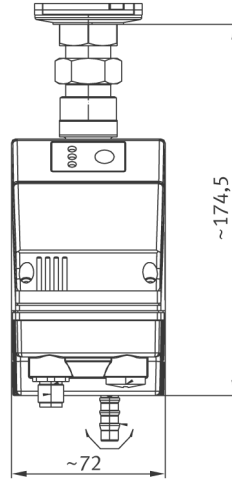
340.1. PSI →

Product Short Information

External electrical condensate drain PWEA

Technical data

Type	PWEA
Materials	Condensate container: Aluminium Housing: Polymer; Seals: NBR
Pressure range [bar]	0.8 - 16
Temperature resistance [°C]	1 ... 60
Connection to condensate drain	G1/4
Tubing nipple Ø	8 mm
Elbow connector	
Protection class	IP65



Functional description:

Condensate reaches the attached condensate drain valve via the coupling hole in the base of the filter bowl, where it is collected in a container. A capacitive sensor detects if the maximum filling level is reached; the condensate escapes to atmosphere through the drain line via the opening diaphragm control valve. After a preset switching time, the diaphragm control valve closes again. A residual amount of condensate remains in the container to prevent any compressed air from escaping into the drain line.



Type*	Description	Code in MS modular system
PWEA-AP-3D	Condensate drain/24 VDC/M12 plug	:E1
PWEA-AC-6A	Condensate drain/110 VAC/Clamped conn.	:E2
PWEA-AC-7A	Condensate drain/230 VAC/Clamped conn.	:E3
PWEA-AC-3D	Condensate drain/24 VDC/Clamped conn.	:E4

*Available as individual component or as MS modular system component for size MS6

Festo AG & Co. KG

Ruiter Strasse 82
73734 Esslingen
www.festo.com
Tel. +49 711 347-0
Fax +49 711 347-2144
service_international@festo.com