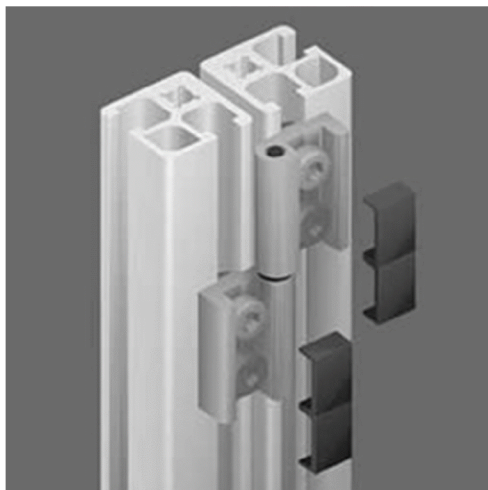




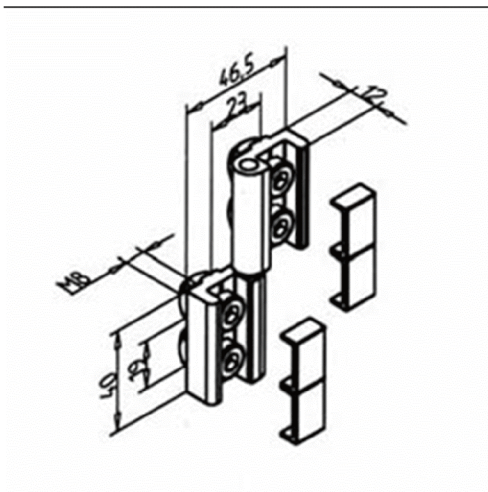
Hinge 19

Part. N° 21.1100



APPLICATIONS

- Hinged doors made from 19 & 32 series profiles
- Mounting panels together at various angles



TECHN. DATA / ITEMS SUPPLIED



- 2 Aluminum hinge blocks, clear anodized

- 4 M8x18 socket head cap screws

- 4 M8 square nuts

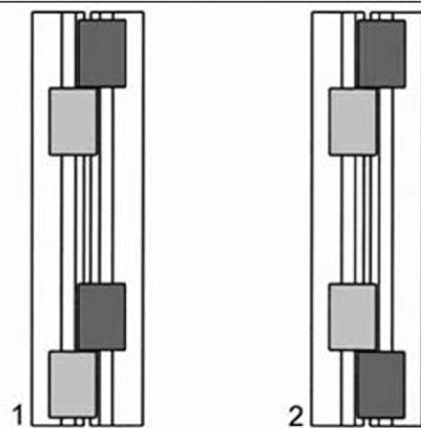
- 1 Hinge pin

- 4 Rectangular screw caps gray

- 2 Pin end caps gray

- Weight - .111kg

- Load max. - 400N



ASSEMBLY

- Alignment tab on back of hinge ensures alignment of door & frame

- If mounting hinge to something without a t-slot use 21.1100/2 which doesn't have alignment tabs

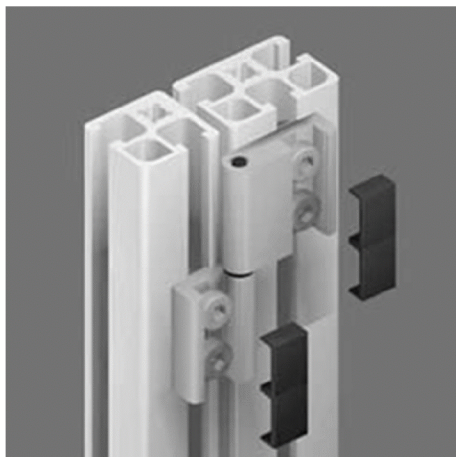
- Orientation 1: lift removable

- Orientation 2: non lift removable



Hinge 32

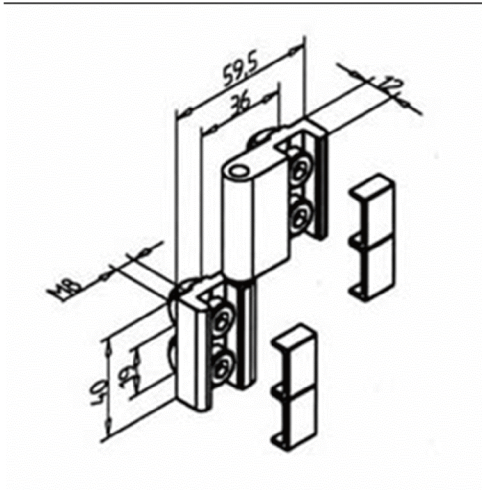
Part. N° 21.1095



APPLICATIONS

- Hinged doors combining a 45 series profile with a 19 or 32 series profile

- Mounting panels together at various angles



TECHN. DATA / ITEMS SUPPLIED



- 2 Aluminum hinge blocks, clear anodized

- 4 M8x18 socket head cap screws

- 4 M8 square nuts

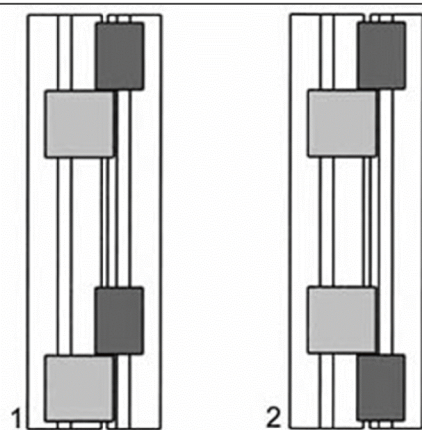
- 1 Hinge pin

- 4 Rectangular screw caps gray

- 2 Pin end caps gray

- Weight - .128 kg

- Load max. - 400N



ASSEMBLY

- Alignment tab on back of hinge ensures alignment of door & frame

- If mounting hinge to something without a t-slot use 21.1195/2 which doesn't have alignment tabs

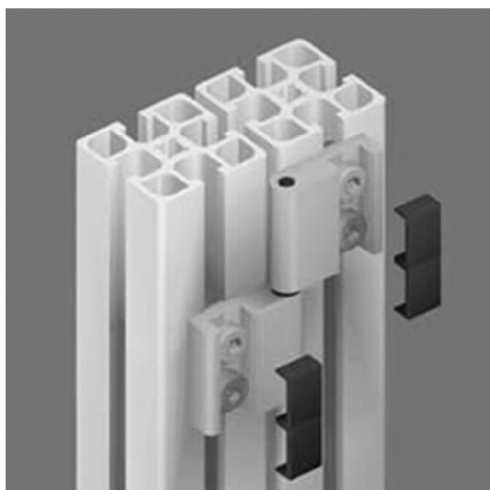
- Orientation 1: lift removable

- Orientation 2: non lift removable



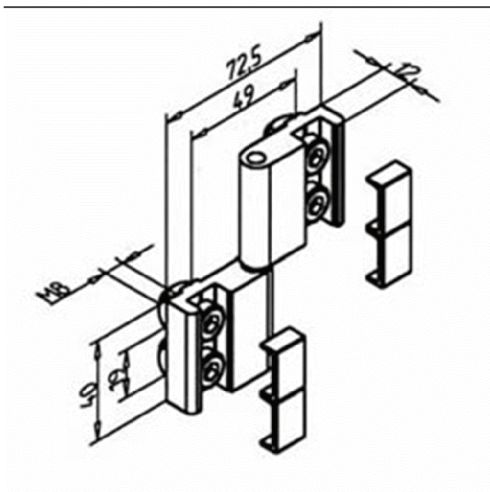
Hinge 45

Part. N° 21.1096



APPLICATIONS

- Hinged doors for 45 series profiles
- Mounting wall sections together at various angles



TECHN. DATA / ITEMS SUPPLIED



- 2 Aluminum hinge blocks, clear anodized

- 4 M8x18 socket head cap screws

- 4 M8 square nuts

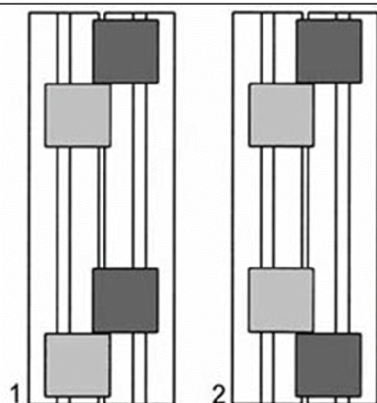
- 1 Hinge pin

- 4 Rectangular screw caps gray

- 2 Pin end caps gray

- Weight - .145kg

- Load max. - 400N



ASSEMBLY

- Alignment tab on back of hinge ensures alignment of door & frame

- If mounting hinge to something without a t-slot use 21.1196/2 which doesn't have alignment tabs

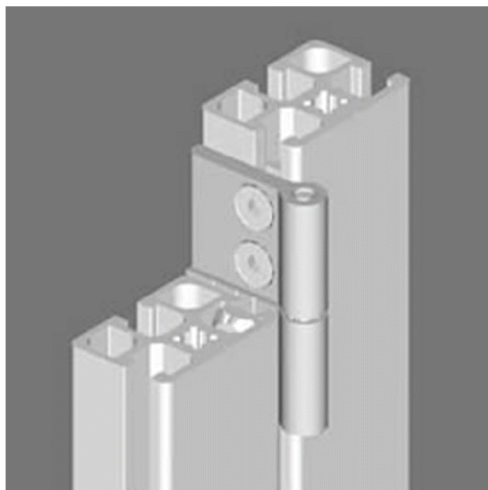
- Orientation 1: lift removable

- Orientation 2: non lift removable



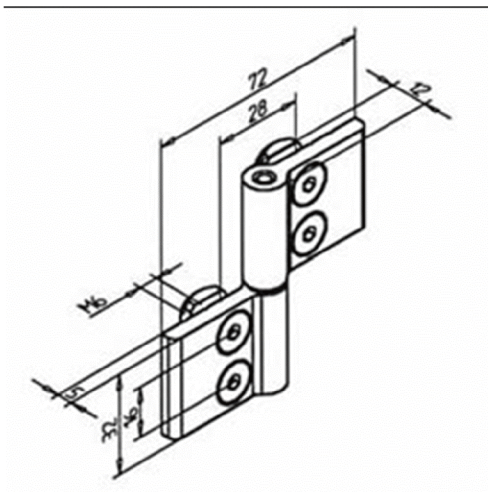
Hinge L 19/19

Part. N° 21.1373



APPLICATIONS

- Hinged doors made from 19 & 32 series profiles
- Mounting panels together at various angles



TECHN. DATA / ITEMS SUPPLIED



- 2 Hinge blocks, anodized aluminum

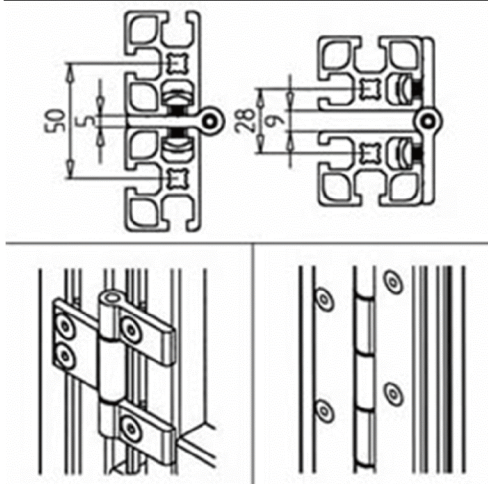
- 4 M6x16 Countersunk screws

- 4 M6 square nuts with position fixing

- 1 Hinge pin steel

- Weight - .089 kg

- Load max - 400N



ASSEMBLY

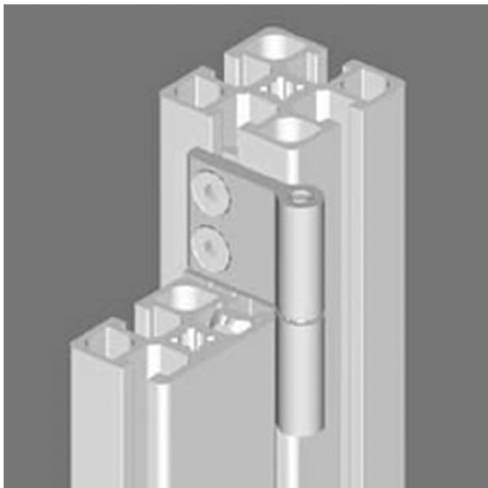
- Mount hinges in the same orientation for lift removable doors

- Mount in reverse directions for non lift removable doors



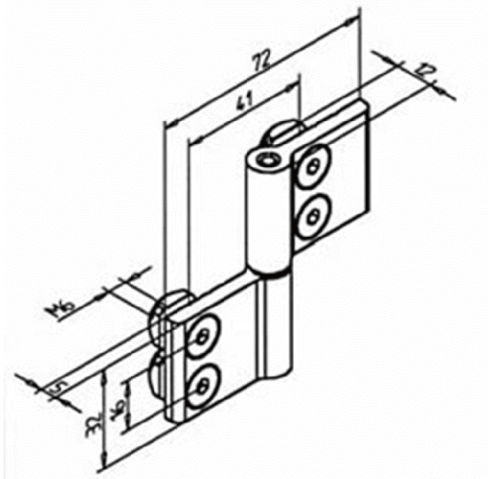
Hinge L 19/45

Part. N° 21.1375



APPLICATIONS

- Hinged doors made from 19 & 32 series profiles with 45 series frame
- Mounting panels together at various angles



TECHN. DATA / ITEMS SUPPLIED



- 2 Hinge leaves, anodized aluminum

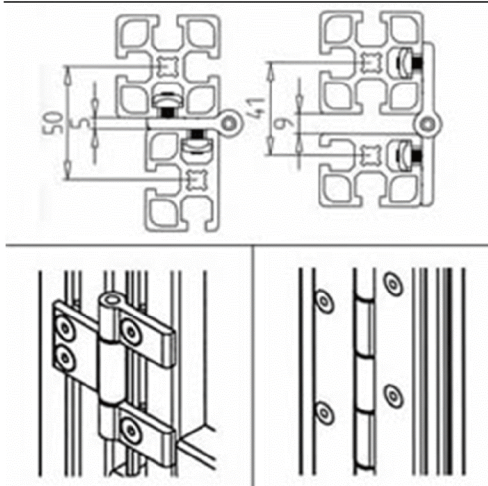
- 4 M6x16 Countersunk screws

- 4 M6 square nuts with position fixing

- 1 Hinge pin, steel

- Weight - .089 kg

- Load max - 400N



ASSEMBLY

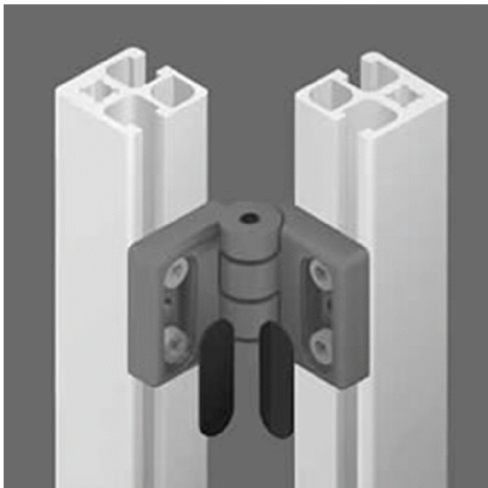
- Mount hinges in the same orientation for lift removable doors

- Mount in reverse directions for non lift removable doors



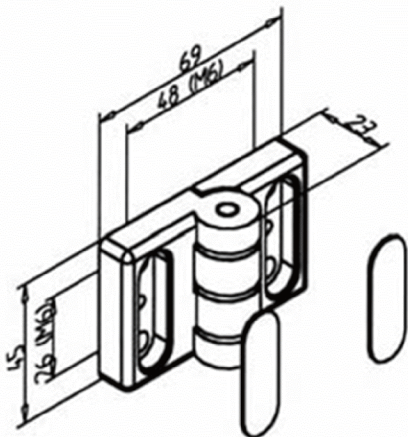
Hing 19 S

Part. N° 21.1044



APPLICATIONS

- Door & lids from from 19 & 32 series profiles
- Connection of machine guard & enclosure walls at various angles



TECHN. DATA / ITEMS SUPPLIED



- Cast aluminum hinge, powdercoated gray

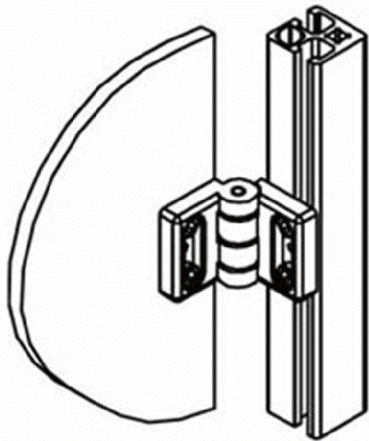
- Fully assembled

- 2 screw cover caps, gray plastic

- Without fastening hardware

- Weight - .100 kg

- Load max. - 600 N



ASSEMBLY

- Fasten with below hardware

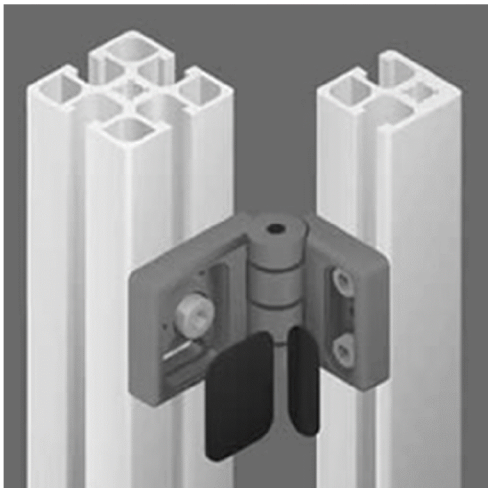
- Qty 4 M6x20 SHCS 21.1240

- Qty 4 M6 square nuts with position fixing 21.1330/2



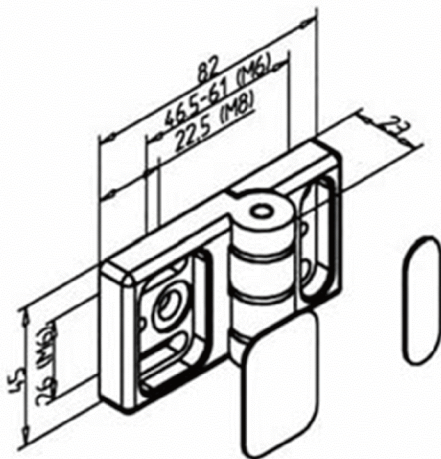
Hinge 32 S

Part. N° 21.1055



APPLICATIONS

- Door & lids from from 19 & 32 series profiles with 45 series frame
- Connection of machine guard & enclosure walls at various angles



TECHN. DATA / ITEMS SUPPLIED



- Cast aluminum hinge, powdercoated gray

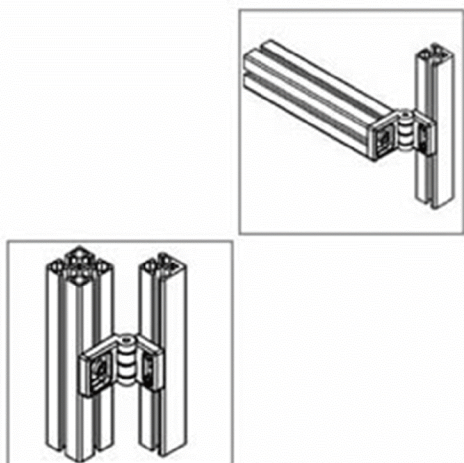
- Fully assembled

- 2 screw cover caps, gray plastic

- Without fastening hardware

- Weight - .105 kg

- Load max. - 600 N



ASSEMBLY

- Fasten with below hardware

- Qty 4 M6x20 SHCS 21.1240

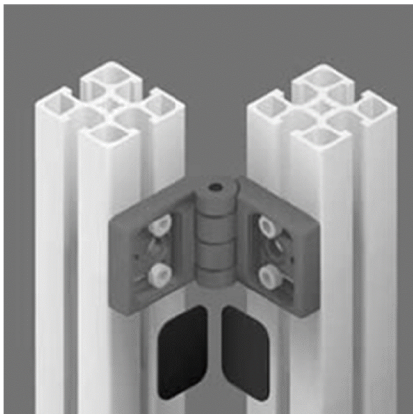
- Qty 4 M6 square nuts with position fixing 21.1330/2

- Also accepts M8 hardware on 45mm hinge block side



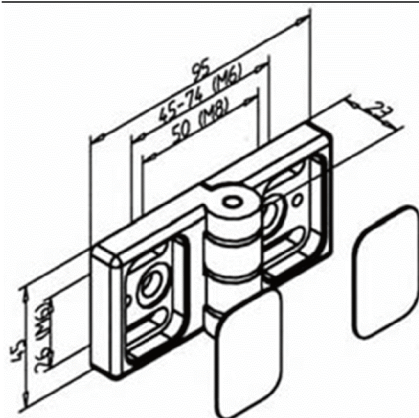
Hinge 45 S

Part. N° 21.1098/1



APPLICATIONS

- Door & lids from 45 series profiles
- Connection of machine guard & enclosure walls at various angles
- M6 slots allow for greater flexibility over door gap & orientation



TECHN. DATA / ITEMS SUPPLIED

- Cast aluminum hinge, powder coated gray



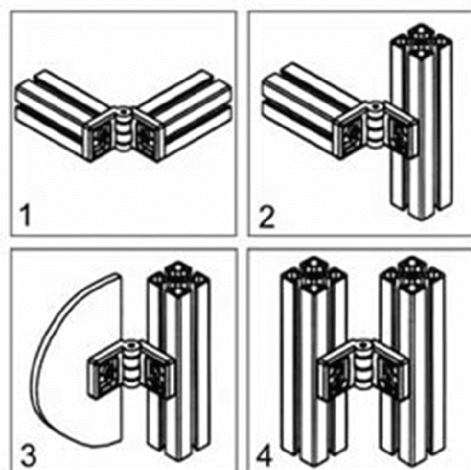
- Fully assembled

- 2 screw cover caps, gray plastic

- Hardware Sold Separately

- Weight - .100 kg

- Load max. - 600 N



ASSEMBLY

- 1) Fasten to profile ends using

Qty 2 [M8x30 SHCS 21.1206](#)

- 2) Fasten to one end & one t-slot using

Qty 1 [M8x30 SHCS 21.1206](#)

Qty 1 [M8 Square Nut With Position Fixing 21.1351/2](#)

Qty 2 [M6x16 SHCS 21.1238](#)

Qty 2 [M6 Square Nut With Position Fixing 21.1330/2](#)

4) Fasten to t-slots using

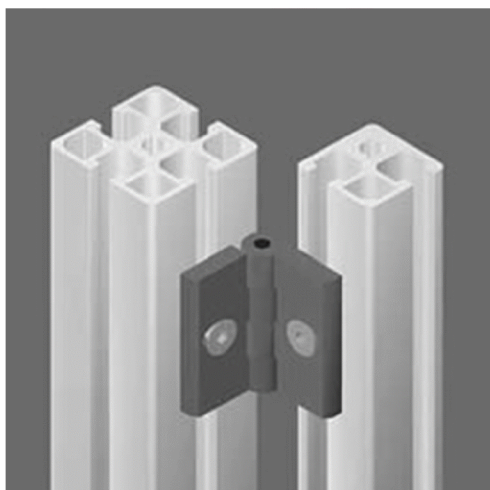
Qty 4 [M6x16 SHCS 21.1238](#)

Qty 4 [M6 Square Nuts With Position Fixing 21.1330/2](#)



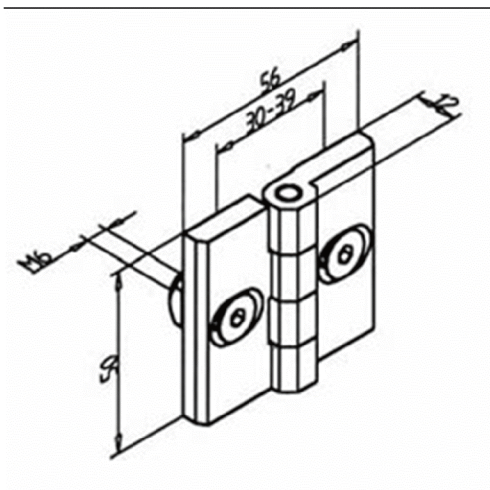
Hinge 32 GD

Part. N° 21.1131



APPLICATIONS

- For 19 & 32 series door frames with 45 series posts



TECHN. DATA / ITEMS SUPPLIED

- Steel Hinge, Powercoated black



- 2 M6x16 counterunk screws

- 2 M6 square nuts

- Weight - .132 kg

- Load max. - 400 N

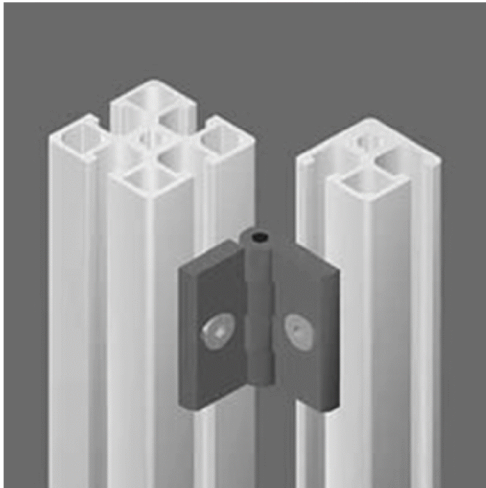
ASSEMBLY

- Allows for 9mm adjustment for distance between t-slots



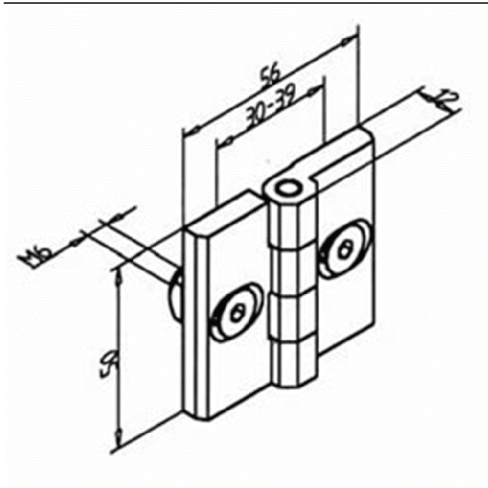
Hinge 45 GD

Part. N° 21.1130



APPLICATIONS

- For 45 series profiles



TECHN. DATA / ITEMS SUPPLIED

- Steel Hinge, Powercoated black



- 2 M6x16 counterunk screws

- 2 M6 square nuts

- Weight - .167 kg

- Load max. - 400 N

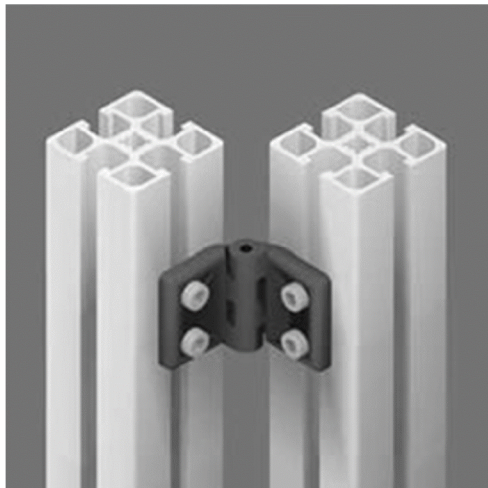
ASSEMBLY

- Allows for 18mm adjustment for distance between t-slots



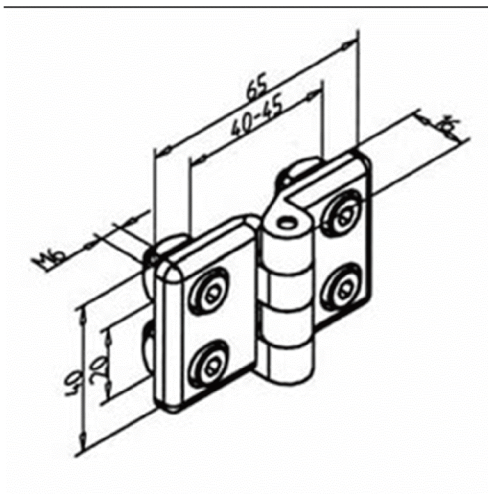
Hinge 45 M6

Part. N° 21.1175



APPLICATIONS

- Light doors & lids
- Doors/windows that are not framed in profiles



TECHN. DATA / ITEMS SUPPLIED



- Hinge, ABS plastic, gray

- 4 M6x16 socket head caps screws

- 4 M6 square nuts

- Weight - .061 kg

- Load max. - 160 N



ASSEMBLY

- M6 slots allow for 5mm adjustment



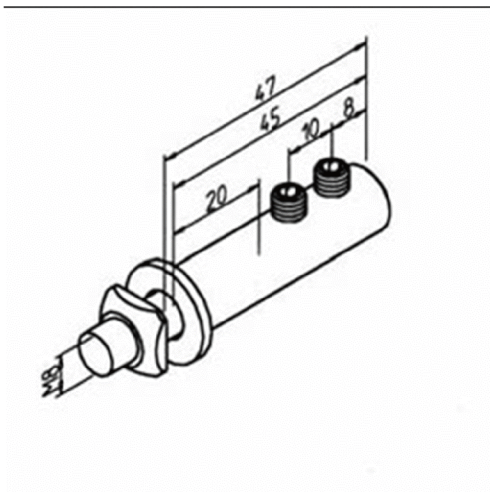
Internal Hinge AL

Part. N° 21.1142



APPLICATIONS

- Swinging doors & lids
- Particularly useful where visible hinge is not desired



TECHN. DATA / ITEMS SUPPLIED



- Aluminum barrel, anodized

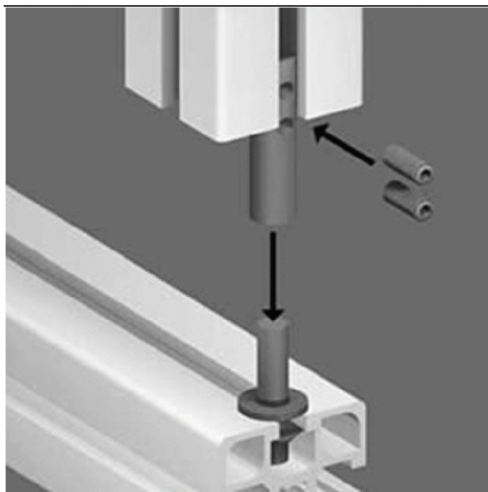
- 2 M5x16 set screws

- 1 snap bolt 40, steel (includes M8 nut)

- 1 M8 plastic washer

- Weight - .02 kg

- Load max. - 250 N



ASSEMBLY

- insert nut & fasten snap bolt with screw driver

- Slide plastic washer over snap bolt.

- Slide aluminum barrel into t-slot of door and secure M5 set screws

- See additional mounting details for [internal hinge](#)



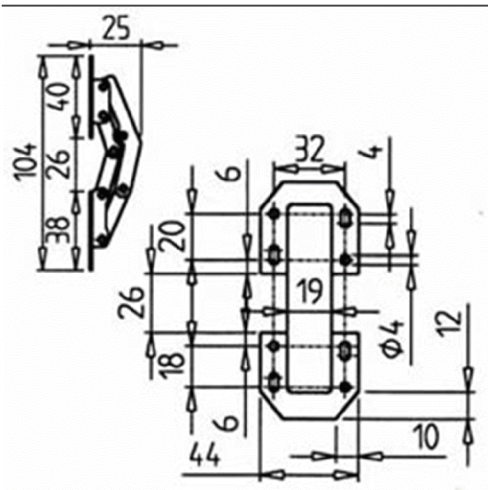
Swing Out Hinge

Part. N° 21.1187



APPLICATIONS

- Light doors with concealed hinge
- Light tight doors or where gap between door and frame is not desirable



TECHN. DATA / ITEMS SUPPLIED

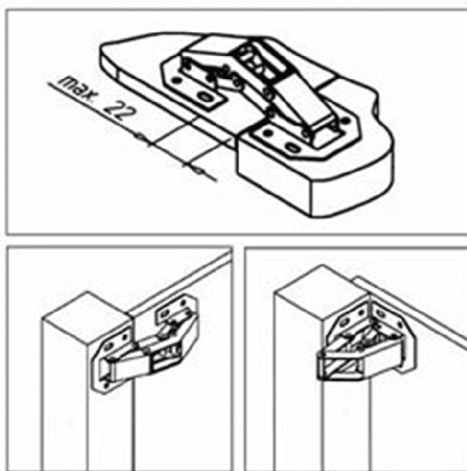


- 1 Hinge, zinc plated steel

- Without fastening hardware

- Weight - .082 kg

- Load max. - 50 N



ASSEMBLY

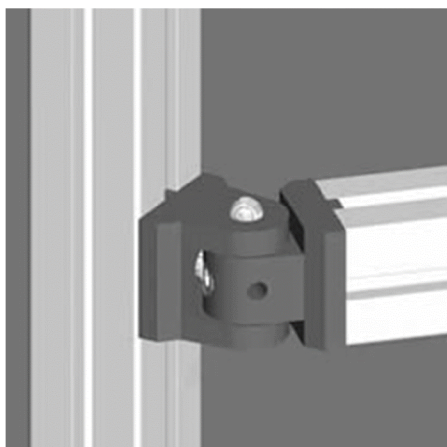
- Holes are $\varnothing 3.5\text{mm}$

- Slots are $\varnothing 4.1\text{mm}$



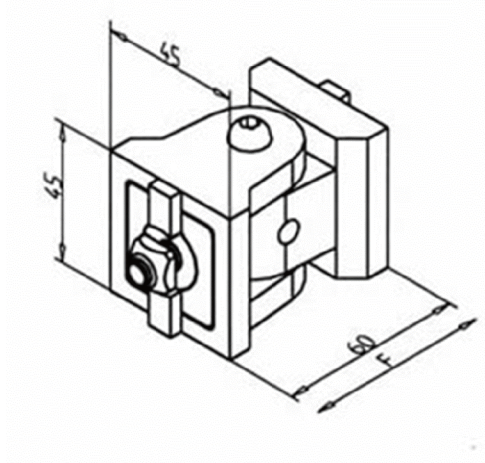
Link

Part. N° 21.2030



APPLICATIONS

- Connections of profiles at angles
- Angled struts & bracing
- Not to be used as a hinge



TECHN. DATA / ITEMS SUPPLIED



- Cast aluminum, powder coated gray

- 2 anti rotation devices

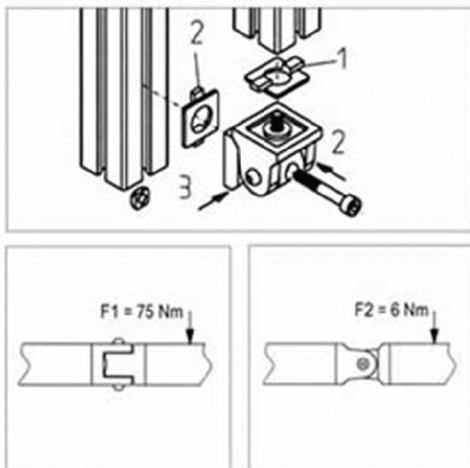
- 1 M8x50 socket head cap screw

- 1 M8x20 socket head cap screw

- 2 M8 square nuts

- Weight - .25 kg

- Load max. - 5000 N



ASSEMBLY

- Mount to t-slot or end hole of profile

- Remove M8x50 screw from male portion of hinge & tighten M8x20 screw to respective profile

- Re-insert M8x50 screw & fasten to second profile

- Alternatively each section can be installed separately then re-assembled with button head screws



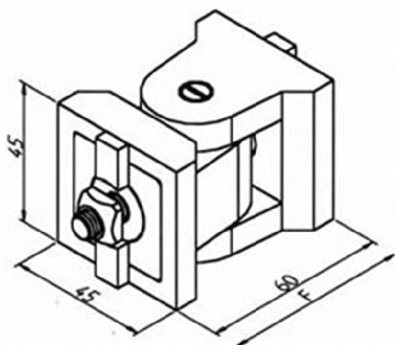
Angle Bracket

Part. N° 21.2020



APPLICATIONS

- Heavy duty doors
- Swivel arms. Use two on the end of a 45x90 for increased rigidity
- Not lockable



TECHN. DATA / ITEMS SUPPLIED

- Cast aluminum, powder coated gray



- 2 anti rotation devices

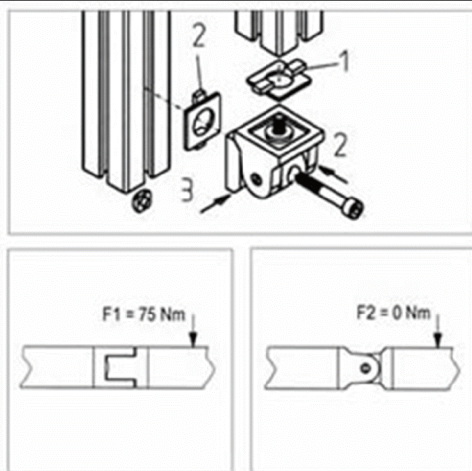
- 1 M8x50 socket head cap screw

- 1 M8x20 socket head cap screw

- 2 M8 square nuts

- Weight - .24 kg

- Load max. - 1500 N



ASSEMBLY

- Mount to t-slot or end hole of profile

- Remove M8x50 screw from male portion of hinge & tighten M8x20 screw thru bore in male hinge half

- Re-insert M8x50 screw & fasten to second profile

- Alternatively each section can be installed separately then re-assembled with side set screws



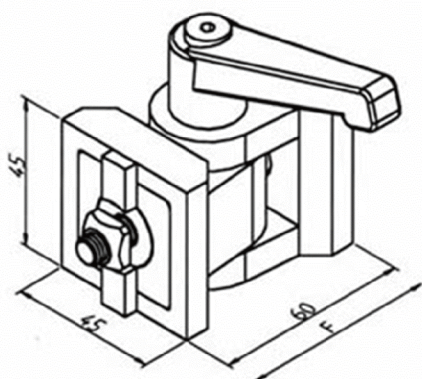
Angle Bracket Fixable

Part. N° 21.2010



APPLICATIONS

- Heavy duty doors
- For vertical pivoting applications use Angle Bracket R
- Rotates to any angle in 180 degree range



TECHN. DATA / ITEMS SUPPLIED

- Cast aluminum, powder coated gray



- 2 anti rotation devices

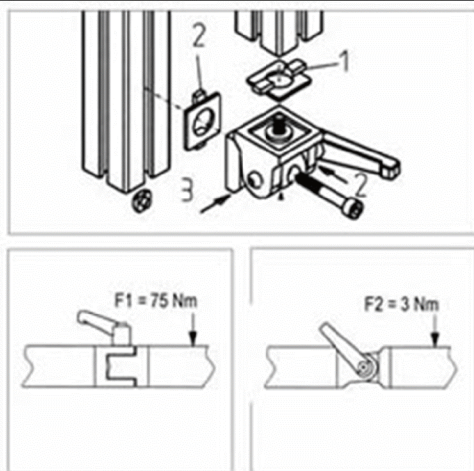
- 1 M8x50 socket head cap screw

- 1 M8x20 socket head cap screw

- 2 M8 square nuts

- Weight - .28 kg

- Load max. - 1500 N



ASSEMBLY

- Mount to t-slot or end hole of profile

- Remove M8x50 screw from male portion of hinge & tighten M8x20 screw thru bore in male hinge half

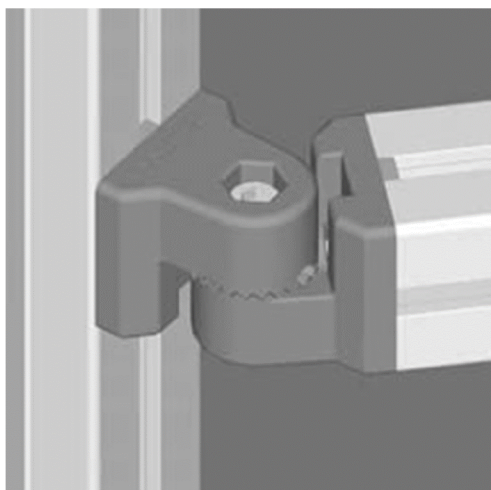
- Re-insert M8x50 screw & fasten to second profile

- Alternatively each section can be installed separately then re-assembled



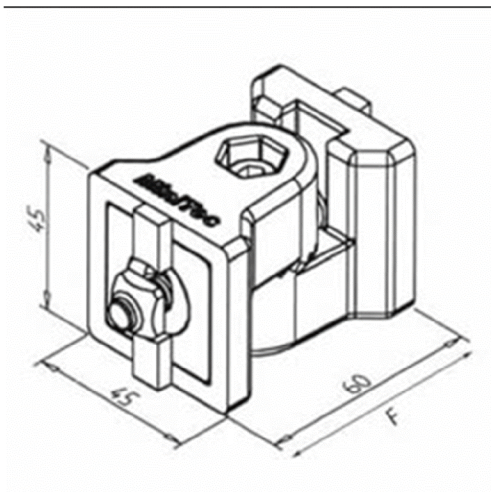
Angle Bracket R

Part. N° 21.2041



APPLICATIONS

- Rotate through 180° in 15° Increments
- Serrated teeth lock bracket securely in position



TECHN. DATA / ITEMS SUPPLIED



- Aluminum cast, powder coated gray

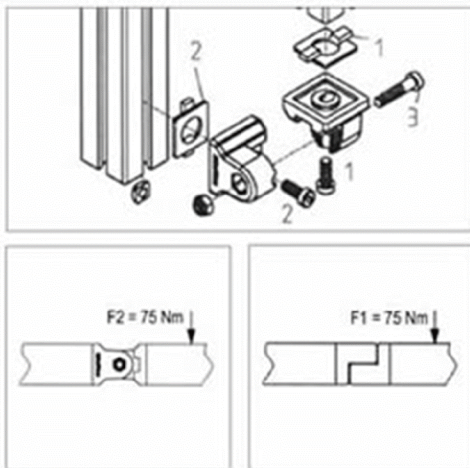
- 2 anti rotation elements

- 2 M8x20 socket head cap screws

- 2 M8 square nuts

- Weight - .263 kg

- Load max. - 5000 N



ASSEMBLY

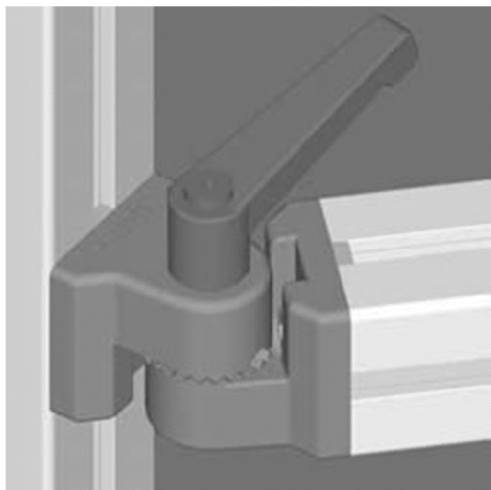
- Disassemble hinge and fasten each hinge half separately

- Reconnect hinge halves with supplied screw & hex nut at desired angle



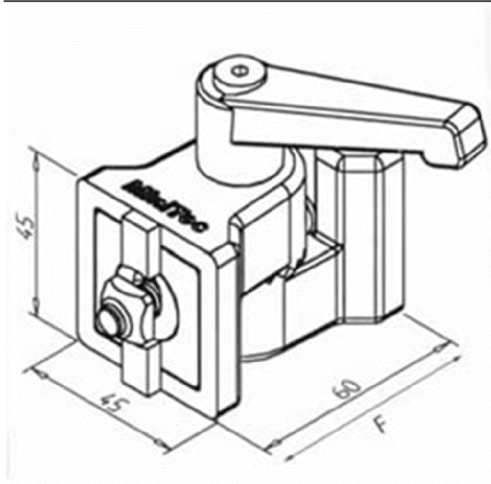
Angle Bracket R Fixable

Part. N° 21.2040



APPLICATIONS

- Rotate through 180° in 15° Increments
- Serrated teeth lock bracket securely in position



TECHN. DATA / ITEMS SUPPLIED



- Aluminum cast, powder coated gray

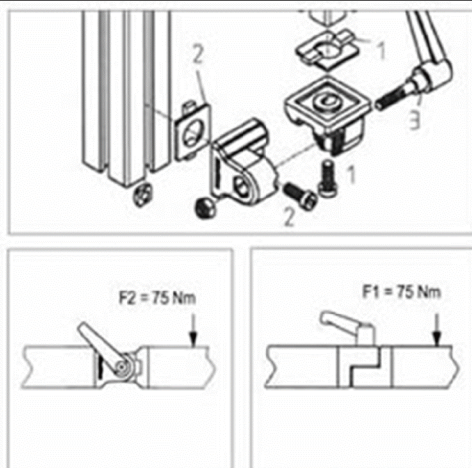
- 2 anti rotation elements

- 2 M8x20 socket head cap screws

- 2 M8 square nuts

- Weight - ..332 kg

- Load max. - 5000 N



ASSEMBLY

- Disassemble hinge and fasten each hinge half separately

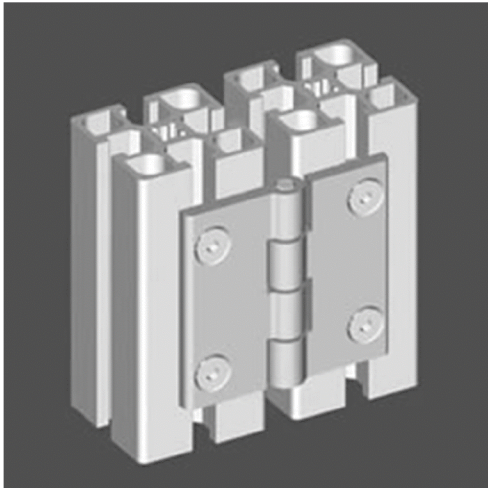
- Reconnect hinge halves with supplied locking handle & hex nut at desired angle

- Handle will ratchet so 360° rotation is not required



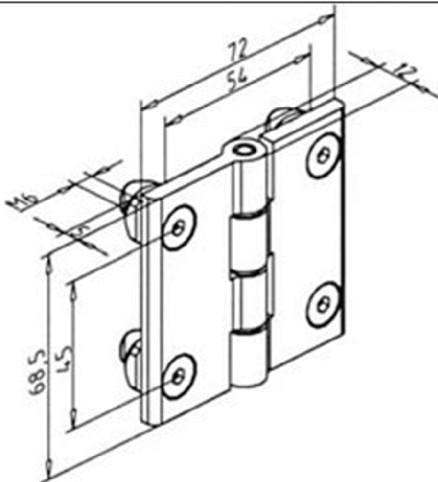
Door Hinge Small

Part. N° 21.0973



APPLICATIONS

- Machine guards & enclosures with large doors
- Hinge designed to mount on front of door & frame.
- Not suitable for mounting between door & frame
- Hinge opens/closes to 145°



EL

News

Electrolux
Macedonia
Palenzo

TECHN. DATA / ITEMS SUPPLIED

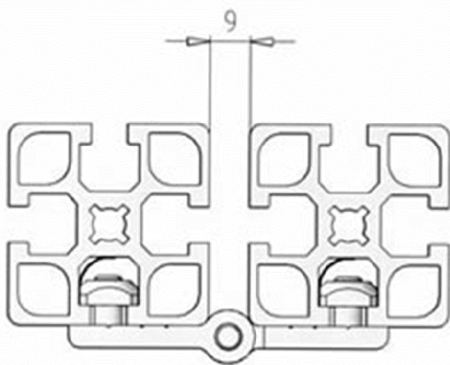
- 2 Hinge leaves, anodized aluminum

- 4 M6x16 countersunk screws

- 4 M6 square nuts with position fixing

- 1 Hinge pin, steel

- Weight .120 kg



ASSEMBLY

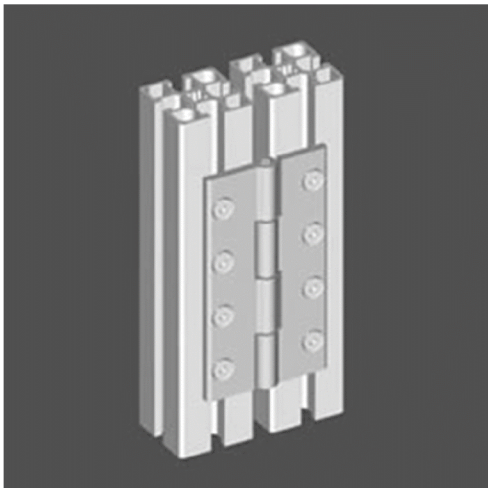
- No processing required

- Mount to t-slots using supplied M6 screws & nuts



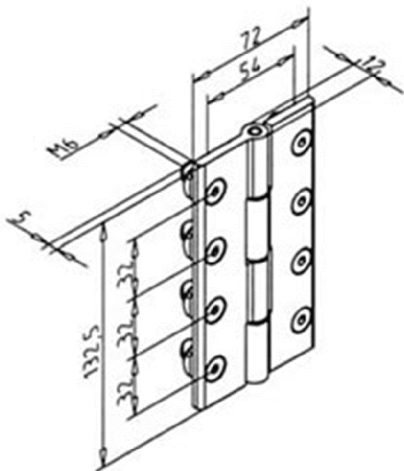
Door Hinge Large

Part. N° 21.0970



APPLICATIONS

- Machine guards & enclosures with large doors
- Hinge designed to mount on front of door & frame.
- Not suitable for mounting between door & frame
- Hinge opens/closes to 145°



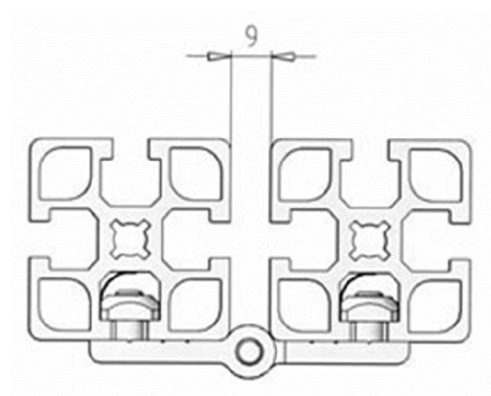
EL

News

Electrolux
Macedonia
Palenzo

TECHN. DATA / ITEMS SUPPLIED

- 2 Hinge leaves, anodized aluminum
- 8 M6x16 countersunk screws
- 8 M6 square nuts with position fixing
- 1 Hinge pin, steel
- Weight - .235 kg



ASSEMBLY

- No processing required
- Mount to t-slots using supplied M6 screws & nuts