

- Gradual starter valves with emergency drain enable:
- **gradual increase of the system downstream pressure;**
 - **system discharge and supply turn-off:**

The opening time of the 3-way 2-position valve can be regulated and does not depend on the circuit volume. Operation can be pneumatic, electric or electric with Cnomo pilot valve; for coils please specify the requested voltage.

This equipment complies with the European machine directive 89/392/CEE.

Technical characteristics

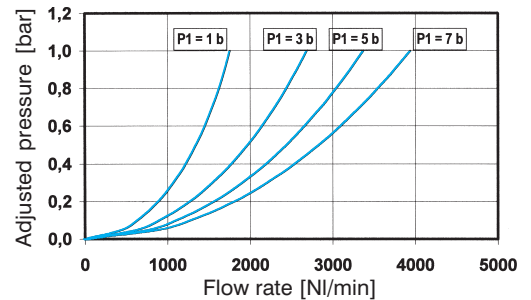
	HZ1M15G	HZ2M20G
Threaded port	G 1/2	G 3/4
Flowrate NI/min	3670	4260
Max. inlet pressure bar - MPa - psi	10 - 1 - 145	
Min. working pressure bar - MPa - psi	2 - 0,2 - 29,1	
Fluid	filtered air	
Min/max. temperature °C	5 ÷ 60	
Weight in kg	0,94	1,10
Mounting position	vertical	



Flow rate characteristics

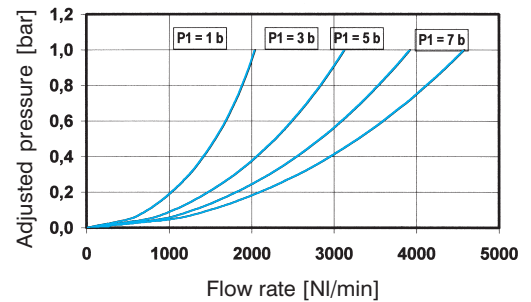
HZ1M15G Size 1

G 1/2



HZ2M20G Size 2

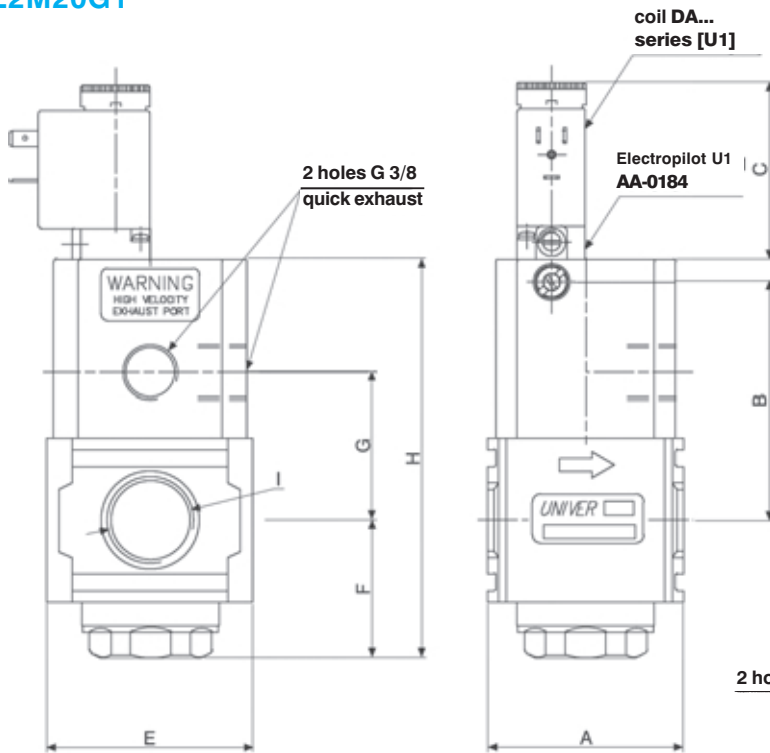
G 3/4





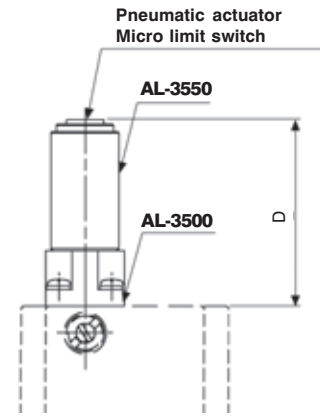
Electric control with electropilot U1

HZ1M15G1
HZ2M20G1

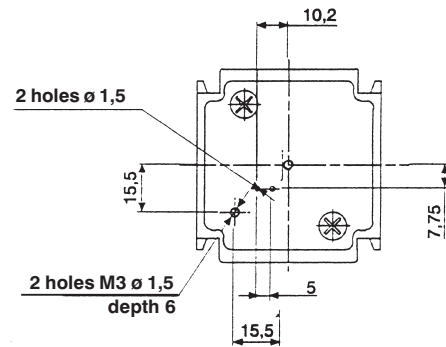


Pneumatic control and actuator

HZ1M15GP
HZ2M20GP

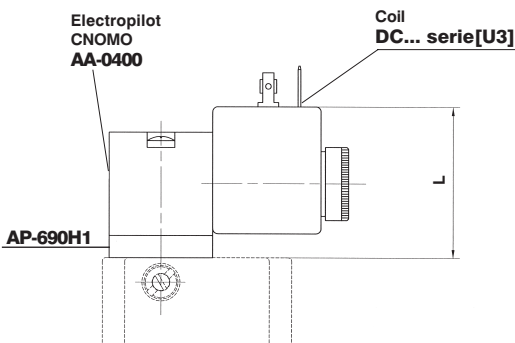


Drill inter-axes for electric or pneumatic version



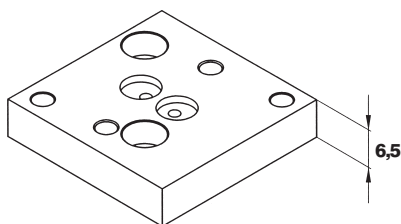
Electric control with CNOMO pilot

HZ1M15G3
HZ2M20G3



When ordering specify coil voltage

Connecting plate



Overall dimensions

	Size 1	Size 2
A	60	64
B	72,7	72,7
C	54	54
D	49,5	49,5
E	63	80
F	42,3	42,3
G	45	45
H	122	122
I	G 1/2	G 3/4
L	43,5	43,5