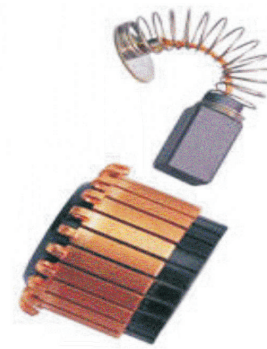
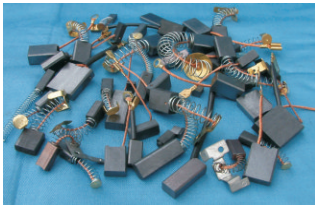
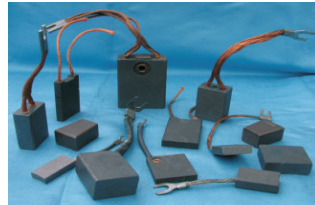


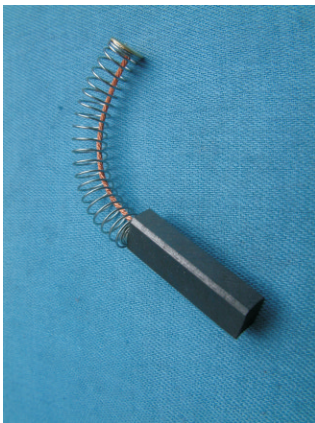
Ovo je crtež e sopsštenost na Electrolux-Bitola. Bez negovo pismeno odobruvanje isti ot nesmee da se prepisuva , umnozuva niti kopira bez soglasnost od Electroluks vo sprotno se snosat posledici vo smisa na clenovite 163 i 164 od Kriviciot zakon R.M. (povreda na avtorsko pravo)



electrolux@mt.net.mk



## PROIZVODNI PROGRAM



[www.electrolux.com.mk](http://www.electrolux.com.mk) \ [www.elektroluks.com.mk](http://www.elektroluks.com.mk)

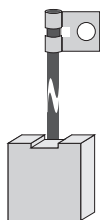
Četkice elektropokretača (anlasera), četkice alternatora i dinama, čaure (biksne) anlasera, elektronski regulatori napona alternatora (regleri), četkice električnih uređaja i ručnih električnih alata, četkice mikro-motora, četkice industrijskih i vučnih motora i mašina, drugi proizvodi od grafita, samopodmazujući sinter-ležajevi, sinterovani delovi i dr.

00389/47 203 900-02/329 8 130



# KATALOG četkica anlasera

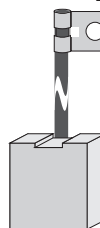
**MK 101**  
(JSX 5)



**ZASTAVA 750  
FIAT 126 p**

16 x 6 x 17

**MK 102**  
(JSX 16)



**ZASTAVA 101ST, 128,  
JUGO 45, 55, 60,  
(Anl. "ISKRA")  
FIAT 128, 1100**

17 x 8 x 19

**MK 103**



**ZASTAVA 101, 128  
JUGO NT  
(Anl. "R.ČAJAVEC")**

10 x 7 x 18

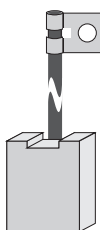
**MK 104**  
(JSX 21-22)



**FIAT UNO  
ZASTAVA 101 NT, 128  
(Anl. "ISKRA")  
FORD**

13 x 6 x 17,5

**MK 105**  
(JSX 13)

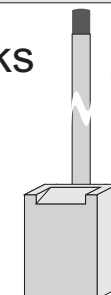


**LADA  
ALEKO  
WARTBURG  
FIAT 1300  
OPEL Rekord  
FORD Taunus**

16 x 7 x 20

**Elektroluks**

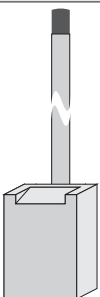
**MK 106**  
(BSX 102)



**ZASTAVA  
615, 616, 620, 624.  
ZASTAVA IVECO  
AZJ 3,4/12V**

16 x 9 x 23

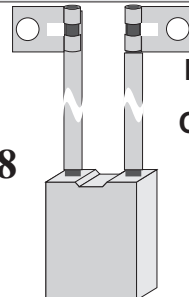
**MK 107**  
(BSX 93)



**TURBO ZETA  
AZJ 3,2-3,4/24V**

16 x 9 x 23

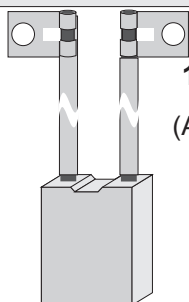
**MK 108**



**IMT 533; IMR;  
FERGUSON 135;  
TAM 2000  
CEPEL LALLAND  
AZJ 12V**

20 x 9 x 26

**MK 109**  
(BSX 34)

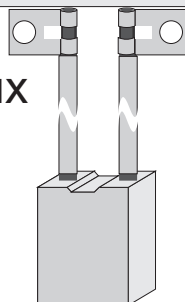


**FAP  
13, 13A, 16  
DEUTZ  
(Anl. "ISKRA")  
4/24V**

20 x 9 x 26

**Electrolux**

**MK 110**



**FAP 2F, 18, 18F  
1616, 1618,  
1620, 1820  
TAM 6500,  
Autobus  
AZJ 24V**

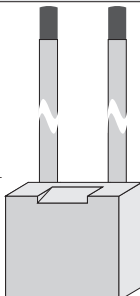
20 x 12 x 26



# KATALOG četkica anlasera

Ovo je crtez e sopstvenost na Electrolux-Bitola. Bez negovo pismeno odobruvanje istiot nesmee da se prepisuva. umnozuvana niti kopira bez soglasnosti od Electroluks vo sproitivno se snosat posledici vo smista na cilenovitel 63 i 164 od krivicniot zakon R.M. (povreda na avtorsko pravo)

**MK 111**  
(BSX 96)

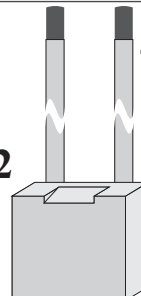


IMT 539, 540, 542  
FERGUSON 1983g.  
TAM 2001  
TAM 75 T5  
AZJ 3/12V

[www.electrolux.com.mk](http://www.electrolux.com.mk)  
[www.elektroluks.com.mk](http://www.elektroluks.com.mk)

25 x 10 x 25

**MK 112**



ZASTAVA 640, 650  
AZJ 3 - 4/24V

25 x 10 x 25

**MK 113**  
(BSX 75)



VW GOLF I benz.1,3; 1,6  
VW 1200, 1300  
FORD Escort, Fiesta,  
Orion, Sierra benz.

10 x 7 x 18

**MK 114**  
BSX 59(22)  
BS 59(2)



VW GOLF I D 1,6D  
PASSAT 1,6D  
AUDI 80D  
WARTBURG ST (353)  
MERCEDES benz.  
PORSCHE 911S  
OPEL

16 x 7 x 18

**MK 115**  
(BSX 159-160)



VW GOLF II i III benz.  
AUDI benz.  
OPEL

16 x 5 x 13

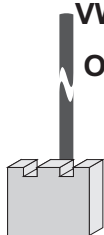
**MK 116**  
(BSX 161-162)



Elektroluks VW GOLF II i III benz.  
PASSAT  
AUDI  
OPEL

12 x 5 x 12

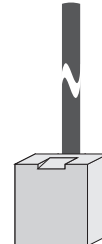
**MK 117**  
(BSX 157-158)



VW GOLF II i III D 1,6D  
JETTA;PASSAT;  
OPEL;FORD;AUDI D;  
MERCEDES 190E,  
260E, SE, 300E,  
SE, SL, TE

18 x 6 x 15

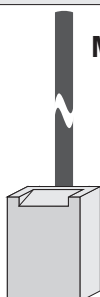
**MK 118**  
(BSX 101)



MERCEDES 123D  
200, 220, 300

16 x 9 x 18

**MK 119**  
(BSX 71)

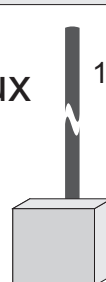


MERCEDES 123B

16 x 9 x 23

Electrolux

**MK 120**  
(BSX 151)



MERCEDES 124  
190D, 200TD, 250T, TD  
OPEL  
FORD

18 x 7,5 x 17

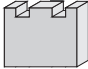


# KATALOG četkica anlasera

[www.electrolux.com.mk](http://www.electrolux.com.mk)  
[www.elektroluks.com.mk](http://www.elektroluks.com.mk)

**MERCEDES** od 1987.  
190E, 200E, T, 230E, CE  
**BMW**  
**LADA Samara**

**MK 121**  
(BSX 159-160)

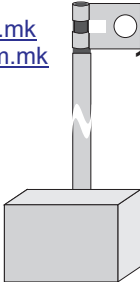


16 x 5 x 13

[www.electrolux.com.mk](http://www.electrolux.com.mk)  
[www.elektroluks.com.mk](http://www.elektroluks.com.mk)

**MERCEDES**  
1013, 1213, 1413,  
1513, 1613,  
1017, 1617  
4/12V

**MK 122**  
(BSX 134-144)

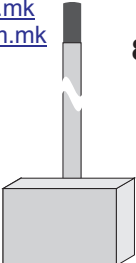


25 x 10 x 17

[www.electrolux.com.mk](http://www.electrolux.com.mk)  
[www.elektroluks.com.mk](http://www.elektroluks.com.mk)

**MERCEDES**  
814, 914, 1314,  
1414, 1514,  
917, 1320  
4/24V

**MK 123**  
(BSX 135-145)

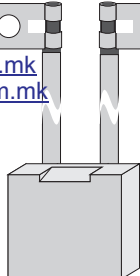


25 x 8 x 17

[www.electrolux.com.mk](http://www.electrolux.com.mk)  
[www.elektroluks.com.mk](http://www.elektroluks.com.mk)

**MERCEDES**  
1017F, AF,  
OM 304, 314,  
**MAN, SCANIA,**  
**VABIS**  
4/24V

**MK 124**  
(BSX 67)

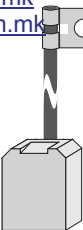


25 x 8 x 25

[www.electrolux.com.mk](http://www.electrolux.com.mk)  
[www.elektroluks.com.mk](http://www.elektroluks.com.mk)

**OPEL Kadett 1200**

**MK 125**  
(BSX 52)

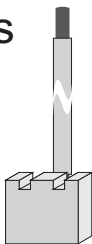


14 x 7 x 18

**Elektroluks**

**OPEL Kadett**  
1300, 1600,  
1800, 1800 D  
(Anl. "DELCO REMY")

**MK 126**  
(RX 120)




16 x 6 x 14

[www.electrolux.com.mk](http://www.electrolux.com.mk)  
[www.elektroluks.com.mk](http://www.elektroluks.com.mk)

**PEUGEOT**  
**RENAULT**  
**CITROËN**  
(Anl. "DUCELLIER")

**MK 127**  
(USX 68)

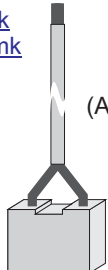


15 x 8 x 15

[www.electrolux.com.mk](http://www.electrolux.com.mk)  
[www.elektroluks.com.mk](http://www.elektroluks.com.mk)

**PEUGEOT**  
**RENAULT**  
**CITROËN**  
(Anl. "PARIS - RHONE")

**MK 128**  
(PSX 35-36)

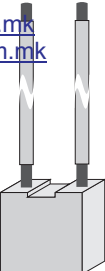


18 x 7 x 14

[www.electrolux.com.mk](http://www.electrolux.com.mk)  
[www.elektroluks.com.mk](http://www.elektroluks.com.mk)

**PEUGEOT D**  
**RENAULT D**  
**CITROËN D**

**MK 129**  
(PSX 132)

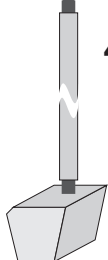


18 x 10 x 18

**Electrolux**

**RENAULT**  
4, 9, 18, 20, 25, 30  
**FLORIDA**

**MK 130**  
(PSX 133)



16 x 13/8 x 12





# KATALOG četkica anlasera

[www.electrolux.com.mk](http://www.electrolux.com.mk)  
[www.elektroluks.com.mk](http://www.elektroluks.com.mk)

**MK 131**  
(PSX 148-149)

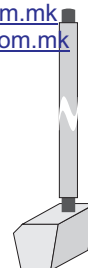


**PEUGEOT  
RENAULT  
CITROËN**  
(Anl. "VALEO")

16 x 8,6/4 x 11

[www.electrolux.com.mk](http://www.electrolux.com.mk)  
[www.elektroluks.com.mk](http://www.elektroluks.com.mk)

**MK 132**

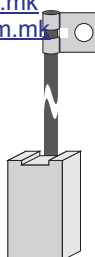


**PEUGEOT  
RENAULT  
CITROËN  
WARTBURG 1300 NT**  
(VW Golf)  
TAVRIA

15 x 9,9/6,5 x 10,2

[www.electrolux.com.mk](http://www.electrolux.com.mk)  
[www.elektroluks.com.mk](http://www.elektroluks.com.mk)

**MK 133**



**ŠKODA 1000 MB,  
105, 120, 120SL,  
FAVORIT**

12 x 8 x 22

[www.electrolux.com.mk](http://www.electrolux.com.mk)  
[www.elektroluks.com.mk](http://www.elektroluks.com.mk)

**MK 134**  
(FT 104)



**TOYOTA**  
(Anl. "HITACHI")

12 x 7 x 19

[www.electrolux.com.mk](http://www.electrolux.com.mk)  
[www.elektroluks.com.mk](http://www.elektroluks.com.mk)

**MK 135**



**TOYOTA  
FIAT**

9,8 x 6,3 x 15,8

**Elektroluks**

**MK 136**  
(FN 124-125)

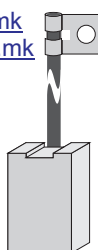


**NISSAN**

10,7 x 7 x 19

[www.electrolux.com.mk](http://www.electrolux.com.mk)  
[www.elektroluks.com.mk](http://www.elektroluks.com.mk)

**MK 137**  
(FN 138-139)

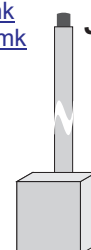


**NISSAN**

14 x 8 x 22

[www.electrolux.com.mk](http://www.electrolux.com.mk)  
[www.elektroluks.com.mk](http://www.elektroluks.com.mk)

**MK 138**

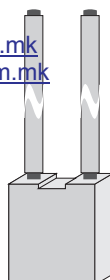


**JAPANSKA VOZILA**  
(Anl. "HITACHI")

14 x 7 x 16

[www.electrolux.com.mk](http://www.electrolux.com.mk)  
[www.elektroluks.com.mk](http://www.elektroluks.com.mk)

**MK 139**  
(LASX 15-16)

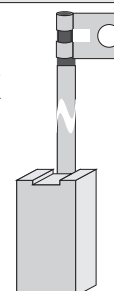


**LUCAS**

19 x 8 x 22

**Electrolux**

**MK 140**  
(BSX 12)



**TRAKTOR  
URSUS  
ZETOR ST  
HANOMAG  
T. VINKOVIĆ**

13 x 9 x 23

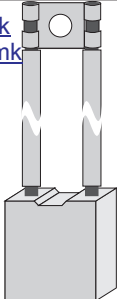


# KATALOG četkica anlasera

[www.electrolux.com.mk](http://www.electrolux.com.mk)  
[www.elektroluks.com.mk](http://www.elektroluks.com.mk)

**TRAKTOR  
UNIVERZAL**

**MK 141**

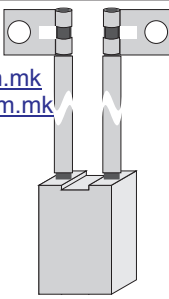


20 x 9 x 22

[www.electrolux.com.mk](http://www.electrolux.com.mk)  
[www.elektroluks.com.mk](http://www.elektroluks.com.mk)

**TRAKTOR  
BELARUS**

**MK 142**

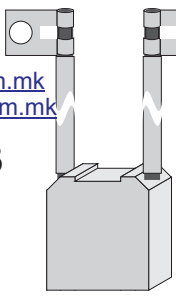


16 x 11 x 24

[www.electrolux.com.mk](http://www.electrolux.com.mk)  
[www.elektroluks.com.mk](http://www.elektroluks.com.mk)

**TRAKTOR  
VLADIMIRAC  
T 25/31**

**MK 143**

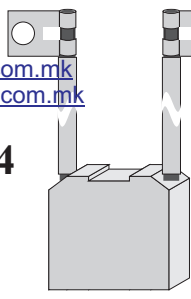


22,5 x 10 x 25

[www.electrolux.com.mk](http://www.electrolux.com.mk)  
[www.elektroluks.com.mk](http://www.elektroluks.com.mk)

**TRAKTOR  
ZETOR NT**

**MK 144**

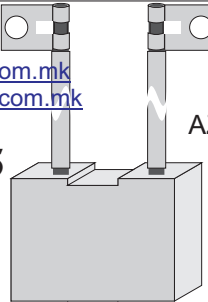


26,5 x 9 x 25

[www.electrolux.com.mk](http://www.electrolux.com.mk)  
[www.elektroluks.com.mk](http://www.elektroluks.com.mk)

**AUTOBUS  
SANOS  
(Anl. "BOSCH")  
AZL 5,5-6kW/24V**

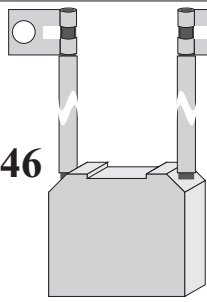
**MK 145  
(BSX 131)**



36 x 12 x 27

**TRAKTOR  
JOHN DEER ST**

**MK 146**

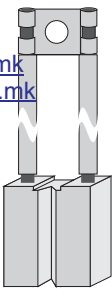


30 x 9 x 27

[www.electrolux.com.mk](http://www.electrolux.com.mk)  
[www.elektroluks.com.mk](http://www.elektroluks.com.mk)

**TRAKTOR  
JOHN DEER NT  
(Anl. "DELCO REMY")**

**MK 147**

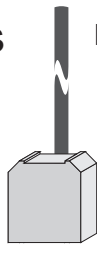


19 x 9,5 x 22

**Elektroluks**

**TOYOTA Corolla  
HONDA; SUBARU;  
DAIHATSU**

**MK 148**

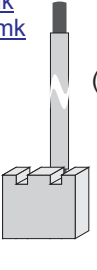


16 x 7 x 18

[www.electrolux.com.mk](http://www.electrolux.com.mk)  
[www.elektroluks.com.mk](http://www.elektroluks.com.mk)

**OPEL  
DAEWOO  
(Anl. "DELCO REMY")**

**MK 149**

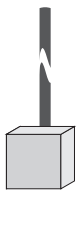


16 x 6 x 14

**Electrolux**

**ZASTAVA  
JUGO  
(Egipat)  
(Anl. "ISKRA" NT)**

**MK 150**



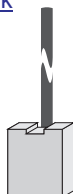
12 x 6 x 12



# KATALOG četkica anlasera

[www.electrolux.com.mk](http://www.electrolux.com.mk)  
[www.elektroluks.com.mk](http://www.elektroluks.com.mk)

**MK 151**



**DAEWOO**

12 x 5 x 15

[www.electrolux.com.mk](http://www.electrolux.com.mk)  
[www.elektroluks.com.mk](http://www.elektroluks.com.mk)

**MK 152**  
(PLSX 5)

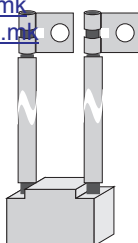


**ŠKODA  
Felicia**

12,2 x 6 x 14

[www.electrolux.com.mk](http://www.electrolux.com.mk)  
[www.elektroluks.com.mk](http://www.elektroluks.com.mk)

**MK 153**

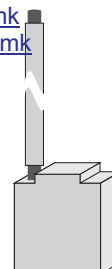


**MOSKVIČ**

19,2 x 8,8 x 12,5

[www.electrolux.com.mk](http://www.electrolux.com.mk)  
[www.elektroluks.com.mk](http://www.elektroluks.com.mk)

**MK 154**

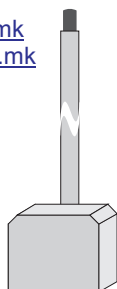


**LADA Niva**

19 x 8,8 x 22

[www.electrolux.com.mk](http://www.electrolux.com.mk)  
[www.elektroluks.com.mk](http://www.elektroluks.com.mk)

**MK 155**  
(PSX 154)

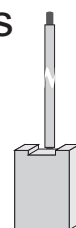


**MAZDA**  
(Anl. "MITSUBISHI")

20 x 8 x 17

**Elektroluks**

**MK 156**

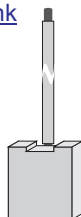


**HYUNDAI**  
(Anl. "MITSUBISHI")

12 x 4,5 x 17,5

[www.electrolux.com.mk](http://www.electrolux.com.mk)  
[www.elektroluks.com.mk](http://www.elektroluks.com.mk)

**MK 157**

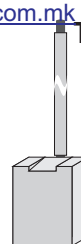


**OPEL**  
(Anl. "HITACHI")

14 x 4,5 x 16

[www.electrolux.com.mk](http://www.electrolux.com.mk)  
[www.elektroluks.com.mk](http://www.elektroluks.com.mk)

**MK 158**  
(JSX 35-36)



**FIAT**  
Tempra, Uno, Tipo, Bravo  
(Anl. "MAGNETI MARELLI")

13 x 7 x 17,5

[www.electrolux.com.mk](http://www.electrolux.com.mk)  
[www.elektroluks.com.mk](http://www.elektroluks.com.mk)

**MK 159**

**Electrolux**

**MK 160**



# KATALOG četkica alternatora

[www.electrolux.com.mk](http://www.electrolux.com.mk)  
[www.elektroluks.com.mk](http://www.elektroluks.com.mk)

**AK 101**



**ZASTAVA 101, 128  
JUGO 45, 55, 60  
MERCEDES, BMW,  
VW, AUDI, LADA  
IMT, IMR, TAM**  
(Alt. "BOSCH", "ISKRA"  
R. ČAJAVEC")

8 x 5 x 17

[www.electrolux.com.mk](http://www.electrolux.com.mk)  
[www.elektroluks.com.mk](http://www.elektroluks.com.mk)

**AK 102**



**TERETNA VOZILA**  
(Alt. "BOSCH" - 28 V)

8 x 5 x 21

[www.electrolux.com.mk](http://www.electrolux.com.mk)  
[www.elektroluks.com.mk](http://www.elektroluks.com.mk)

**AK 103**



**OPEL Kadett  
1100, 1200,  
1300, 1600D**

8 x 5 x 18

[www.electrolux.com.mk](http://www.electrolux.com.mk)  
[www.elektroluks.com.mk](http://www.elektroluks.com.mk)

**AK 104**



**MERCEDES  
200, 230, 250,  
280/8, 280SE  
AUDI 60, 80, 90  
FORD 17M, 20M,  
ALFA ROMEO  
HANOMAG 45, 55.**

10 x 5 x 17

[www.electrolux.com.mk](http://www.electrolux.com.mk)  
[www.elektroluks.com.mk](http://www.elektroluks.com.mk)

**AK 105**



**MERCEDES  
200D, 220D  
250, 250SE**

10 x 5 x 18,5

**Elektroluks**

**AK 106**



**RENAULT**  
(Alt. "PARIS RHONE")

6,3 x 4,7 x 17

[www.electrolux.com.mk](http://www.electrolux.com.mk)  
[www.elektroluks.com.mk](http://www.elektroluks.com.mk)

**AK 107**



**ŠKODA 100, 110S  
MOSKVIČ**

6,2 x 6,2 x 20

[www.electrolux.com.mk](http://www.electrolux.com.mk)  
[www.elektroluks.com.mk](http://www.elektroluks.com.mk)

**AK 108**

(FN 313-314)

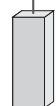


**NISSAN**  
(Alt. "HITACHI")

7 x 5 x 16,5

[www.electrolux.com.mk](http://www.electrolux.com.mk)  
[www.elektroluks.com.mk](http://www.elektroluks.com.mk)

**AK 109**



**FIAT 126 p**

7 x 4 x 20

**Electrolux**

**AK 110**



**VOLGA**

10 x 5 x 15






# KATALOG četkica alternatora

[www.electrolux.com.mk](http://www.electrolux.com.mk)  
[www.elektroluks.com.mk](http://www.elektroluks.com.mk)

**AK 111**




**WARTBURG**

10 x 5 x 18

[www.electrolux.com.mk](http://www.electrolux.com.mk)  
[www.elektroluks.com.mk](http://www.elektroluks.com.mk)

**AK 112**

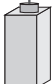


**TRAKTOR ZETOR**

6,3 x 6,3 x 16

[www.electrolux.com.mk](http://www.electrolux.com.mk)  
[www.elektroluks.com.mk](http://www.elektroluks.com.mk)

**AK 113**



**HYUNDAI; DAEWOO**  
(Alt. "MITSUBISHI")

7 x 6 x 17

[www.electrolux.com.mk](http://www.electrolux.com.mk)  
[www.elektroluks.com.mk](http://www.elektroluks.com.mk)

**AK 114**

[www.electrolux.com.mk](http://www.electrolux.com.mk)  
[www.elektroluks.com.mk](http://www.elektroluks.com.mk)

**AK 115**

**Elektroluks**

**AK 116**

[www.electrolux.com.mk](http://www.electrolux.com.mk)  
[www.elektroluks.com.mk](http://www.elektroluks.com.mk)

**AK 117**

[www.electrolux.com.mk](http://www.electrolux.com.mk)  
[www.elektroluks.com.mk](http://www.elektroluks.com.mk)

**AK 118**

[www.electrolux.com.mk](http://www.electrolux.com.mk)  
[www.elektroluks.com.mk](http://www.elektroluks.com.mk)

**AK 119**

**Electrolux**

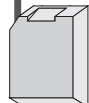

**AK 120**



# KATALOG četkica diname

[www.electrolux.com.mk](http://www.electrolux.com.mk)  
[www.elektroluks.com.mk](http://www.elektroluks.com.mk)

**SK 101**  
(JX - 21/h)

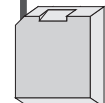



**ZASTAVA 750**

14 x 6,5 x 20

[www.electrolux.com.mk](http://www.electrolux.com.mk)  
[www.elektroluks.com.mk](http://www.elektroluks.com.mk)

**SK 102**  
(JX 22)

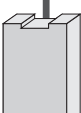



**FIAT 124, 128  
850, 126 p  
LADA**

16,5 x 6 x 20

[www.electrolux.com.mk](http://www.electrolux.com.mk)  
[www.elektroluks.com.mk](http://www.elektroluks.com.mk)

**SK 103**

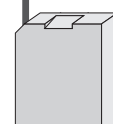



**IMT 533 (Din. "ISKRA")  
MERCEDES  
170, 180, 190, 200, 220  
OPEL Rekord,  
FORD Taunus**

14 x 6 x 22

[www.electrolux.com.mk](http://www.electrolux.com.mk)  
[www.elektroluks.com.mk](http://www.elektroluks.com.mk)

**SK 104**  
(JX 16)

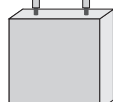



**IMT 539 (Din. "ISKRA")  
FIAT 1300, 1500  
TRAKTOR FERUGSON**

19 x 7 x 25

[www.electrolux.com.mk](http://www.electrolux.com.mk)  
[www.elektroluks.com.mk](http://www.elektroluks.com.mk)

**SK 105**

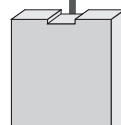



**WARTBURG  
TRABANT**

20 x 6 x 20

**Elektroluks**

**SK 106**  
(BX 165)

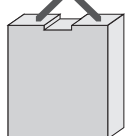



**FAP 15B, 18B;  
ZETOR;  
HANOMAG  
CEPEL LALLAND**  
(Din. "BOSCH")

22 x 6 x 25

[www.electrolux.com.mk](http://www.electrolux.com.mk)  
[www.elektroluks.com.mk](http://www.elektroluks.com.mk)

**SK 107**

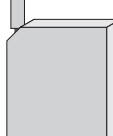



**TAM 4500  
FAP, DEUTZ,  
DGD**

22 x 7 x 25

[www.electrolux.com.mk](http://www.electrolux.com.mk)  
[www.elektroluks.com.mk](http://www.elektroluks.com.mk)

**SK 108**



**URSUS  
GAZ, POBEDA,  
VOLGA, WILLIS**

22 x 6 x 25

[www.electrolux.com.mk](http://www.electrolux.com.mk)  
[www.elektroluks.com.mk](http://www.elektroluks.com.mk)

**SK 109**

**Electrolux**

**SK 110**



# KATALOG biksni anlasera

[www.electrolux.com.mk](http://www.electrolux.com.mk)  
[www.elektroluks.com.mk](http://www.elektroluks.com.mk)

**ZASTAVA 750  
FIAT 126 p**  
(prednja - zadnja)  
**ZASTAVA 101, 128 ST  
JUGO**  
(prednja)

**RK 101**



Ø 14/10 x 14

[www.electrolux.com.mk](http://www.electrolux.com.mk)  
[www.elektroluks.com.mk](http://www.elektroluks.com.mk)

**ZASTAVA 750  
FIAT 126 p**  
pojačana  
(prednja - zadnja)

**RK 102**



Ø 14/9,8 x 14

[www.electrolux.com.mk](http://www.electrolux.com.mk)  
[www.elektroluks.com.mk](http://www.elektroluks.com.mk)

**ZASTAVA 101, 128 NT  
JUGO NT**  
(prednja)

**RK 103**



Ø 14/11,5 x 14

[www.electrolux.com.mk](http://www.electrolux.com.mk)  
[www.elektroluks.com.mk](http://www.elektroluks.com.mk)

**ZASTAVA 101, 128 ST  
JUGO** (Anl. "R.ČAJAVEC")  
(prednja-zadnja)  
**FIAT Uno** (prednja)

**RK 104**



Ø 16/12 x 14

[www.electrolux.com.mk](http://www.electrolux.com.mk)  
[www.elektroluks.com.mk](http://www.elektroluks.com.mk)

**ZASTAVA 101, 128 NT  
JUGO NT; FIAT Uno  
LADA;** (zadnja)  
**FIAT 1300**  
**FORD Taunus, Granada,  
Scorpio, Sierra, Transit**  
**MERCEDES 123**  
**107, 124, 126, 201 Benz.**  
(prednja)

**RK 105**



Ø 16/12 x 16

**Elektroluks**

**LADA**  
(prednja)

**RK 106**

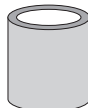


Ø 16/12 x 24

[www.electrolux.com.mk](http://www.electrolux.com.mk)  
[www.elektroluks.com.mk](http://www.elektroluks.com.mk)

**ZASTAVA 624, 640, 650  
IMT 533, 539, 540  
TAM 2001**  
(prednja)

**RK 107**

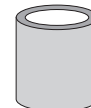


Ø 18/14,2 x 18

[www.electrolux.com.mk](http://www.electrolux.com.mk)  
[www.elektroluks.com.mk](http://www.elektroluks.com.mk)

**ZASTAVA 624, 640, 650  
IMT 533, 539, 540  
TAM 2001**  
pojačana  
(prednja)

**RK 108**



Ø 18/14 x 18

[www.electrolux.com.mk](http://www.electrolux.com.mk)  
[www.elektroluks.com.mk](http://www.elektroluks.com.mk)

**ZASTAVA 619N, 620,  
RIVAL; 624, 640, 650  
TURBO ZETA**  
**IMT 533, 539, 540  
MERCEDES 1213  
TAM 2001**  
(srednja)

**RK 109**



Ø 23/19 x 13

**Electrolux**

**ZASTAVA 624, 640, 650  
TURBO ZETA**  
**IMT 533, 539, 540  
TAM 2001**  
(zadnja)

**RK 110**



Ø 20/14 x 10



# KATALOG biksni anlasera

[www.electrolux.com.mk](http://www.electrolux.com.mk)  
[www.elektroluks.com.mk](http://www.elektroluks.com.mk)

**ZASTAVA 624, 640, 650  
IMT 533, 539, 540  
TAM 2001**  
pojačana  
(zadnja)

**RK 111**

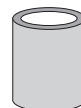


Ø 20/13,7 x 10

[www.electrolux.com.mk](http://www.electrolux.com.mk)  
[www.elektroluks.com.mk](http://www.elektroluks.com.mk)

**TURBO ZETA**  
(prednja)

**RK 112**



Ø 16/12,5 x 18

[www.electrolux.com.mk](http://www.electrolux.com.mk)  
[www.elektroluks.com.mk](http://www.elektroluks.com.mk)

**F A P**  
(u rotoru)  
**TRAKTOR FERGUSON**

**RK 113**



Ø 19,6/16,7 x 18

[www.electrolux.com.mk](http://www.electrolux.com.mk)  
[www.elektroluks.com.mk](http://www.elektroluks.com.mk)

**VW GOLF I D, II D**  
(zvono menjača)  
**JETTA; PASSAT  
VW BUBA  
OPEL Kadett D  
FORD Fiesta 1,1**  
(prednja)

**RK 114**



Ø 13,6/11 x 14

[www.electrolux.com.mk](http://www.electrolux.com.mk)  
[www.elektroluks.com.mk](http://www.elektroluks.com.mk)

**VW GOLF I D, Benz.**  
(srednja)  
**JETTA; PASSAT  
OPEL Kadett D  
FORD Escort, Fiesta,  
Orion D ST  
MERCEDES 123**  
107,124,126,201 Benz.

**RK 115**



Ø 21,5/17,2 x 9

**Elektroluks** **VW GOLF I D, Benz.**  
(zadnja)  
**JETTA; PASSAT; VW BUBA**  
(Anl. "BOSCH" ST)  
**OPEL Kadett, Astra,  
Corsa Benz.; BMW  
FORD Taunus, Granada,  
Scorpio, Sierra, Transit  
MERCEDES 123**  
107,124,126,201 Benz.

**RK 116**



Ø 16,5/12,5 x 12

[www.electrolux.com.mk](http://www.electrolux.com.mk)  
[www.elektroluks.com.mk](http://www.elektroluks.com.mk)

**VW GOLF I, II Benz**  
(zvono menjača)  
**JETTA; PASSAT  
OPEL Kadett, Astra,  
Corsa Benz.; BMW  
FORD Taunus, Granada,  
Scorpio, Sierra, Transit Benz.  
Escort, Fiesta, Orion D  
MERCEDES 124**  
163,201,208,210 Benz.  
**DAEWOO**

**RK 117**



Ø 14/12 x 14

[www.electrolux.com.mk](http://www.electrolux.com.mk)  
[www.elektroluks.com.mk](http://www.elektroluks.com.mk)

**VW GOLF II D, Benz**  
(srednja)  
**JETTA; PASSAT  
OPEL Kadett, Astra, Corsa D  
FORD Escort, Fiesta, Orion D  
MERCEDES 124**  
163,201,208,210 Benz.  
140,202,210 D  
**190D,200D,250TD**

**RK 118**



Ø 22/18 x 8

[www.electrolux.com.mk](http://www.electrolux.com.mk)  
[www.elektroluks.com.mk](http://www.elektroluks.com.mk)

**VW GOLF II D, Benz.**  
(u rotoru)  
**JETTA; PASSAT  
OPEL Kadett, Astra, Corsa D  
FORD Escort, Fiesta, Orion D  
MERCEDES 124**  
163,201,208,210 Benz.  
**190D,200D,250TD**

**RK 119**



Ø 11/8 x 8

**Electrolux** **VW GOLF II D, Benz.**  
(zadnja)  
**JETTA; PASSAT  
OPEL Kadett, Astra, Corsa D  
FORD Escort, Fiesta, Orion D  
MERCEDES 124**  
163,201,208,210 Benz.

**RK 120**



Ø 14/10 x 10

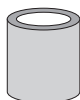


# KATALOG biksni anlasera

[www.electrolux.com.mk](http://www.electrolux.com.mk)  
[www.elektroluks.com.mk](http://www.elektroluks.com.mk)

**MERCEDES 123 D, Benz.**  
190D, 200D, 250TD  
(prednja)  
**WARTBURG 1300 NT**  
(zadnja)  
**FORD Escort, Fiesta**  
Orion D; VOLVO;  
OPEL;

**RK 121**



Ø 16/12 x 16

[www.electrolux.com.mk](http://www.electrolux.com.mk)  
[www.elektroluks.com.mk](http://www.elektroluks.com.mk)

**MERCEDES 123 D, Benz.**  
**PEUGEOT 505D;** (srednja)  
**OPEL D ST, Benz NT**  
**VOLVO;**

**RK 122**



Ø 23/19 x 10

[www.electrolux.com.mk](http://www.electrolux.com.mk)  
[www.elektroluks.com.mk](http://www.elektroluks.com.mk)

**MERCEDES 123 D, Benz. 1213**  
**PEUGEOT 505D;** (zadnja)  
**OPEL D ST, Benz NT**  
**FORD Granada, Scorpio,**  
Sierra D,TD; VOLVO

**RK 123**



Ø 18/14 x 15

[www.electrolux.com.mk](http://www.electrolux.com.mk)  
[www.elektroluks.com.mk](http://www.elektroluks.com.mk)

**MERCEDES MINI D, Benz.**  
**PEUGEOT 505D;** (prednja)  
**OPEL D ST, Benz. NT**  
**FORD Granada, Scorpio,**  
Sierra D,TD; **MOSKVIC;**  
**SKODA 105, 120, 120SL,**  
Favorit; **WARTBURG**  
(prednja - zadnja)

**RK 124**



Ø 16,5/12,5 x 16

[www.electrolux.com.mk](http://www.electrolux.com.mk)  
[www.elektroluks.com.mk](http://www.elektroluks.com.mk)

**MERCEDES 124 ST**  
140, 202, 210 D  
(prednja)

**RK 125**



Ø 16,6 x 10 x 11,5

**Elektroluks**

**MERCEDES 124 ST, NT**  
140, 202, 210 D  
(u rotoru)

**RK 126**



Ø 11/8 x 10

[www.electrolux.com.mk](http://www.electrolux.com.mk)  
[www.elektroluks.com.mk](http://www.elektroluks.com.mk)

**WARTBURG ST (353)**  
**MERCEDES 1213** (prednja)  
**TRAKTOR ZETOR** (srednja)

**RK 127**



Ø 16,5/12,5 x 18

[www.electrolux.com.mk](http://www.electrolux.com.mk)  
[www.elektroluks.com.mk](http://www.elektroluks.com.mk)

**WARTBURG ST (353)**  
(zadnja)  
**MOSKVIC;**  
**ŠKODA 105, 120, 120SL,**  
Favorit

**RK 128**

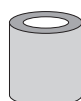


Ø 16,5/12,5 x 14

[www.electrolux.com.mk](http://www.electrolux.com.mk)  
[www.elektroluks.com.mk](http://www.elektroluks.com.mk)

**WARTBURG 1300 NT**  
(prednja)

**RK 129**



Ø 16/10 x 16

**Electrolux**

**ŠKODA NT**  
(prednja)

**RK 130**



Ø 14/10 x 15





# KATALOG biksni anlasera

[www.electrolux.com.mk](http://www.electrolux.com.mk)  
[www.elektroluks.com.mk](http://www.elektroluks.com.mk)

**PEUGEOT; RENAULT  
CITROËN; FLORIDA;  
LADA Samara**  
(prednja)  
**FORD Escort,  
Fiesta Benz.**  
(prednja-zadnja)

**RK 131**



Ø 15/12 x 12

[www.electrolux.com.mk](http://www.electrolux.com.mk)  
[www.elektroluks.com.mk](http://www.elektroluks.com.mk)

**PEUGEOT; RENAULT  
CITROËN; FLORIDA**  
(zadnja)

**RK 132**



Ø 15/12 x 15

[www.electrolux.com.mk](http://www.electrolux.com.mk)  
[www.elektroluks.com.mk](http://www.elektroluks.com.mk)

**JAPANSKA VOZILA**  
(Anl. "HITACHI")

**RK 133**



Ø 16/12,5 x 14

[www.electrolux.com.mk](http://www.electrolux.com.mk)  
[www.elektroluks.com.mk](http://www.elektroluks.com.mk)

**ZASTAVA 750**  
(biksna diname)

**RK 134**

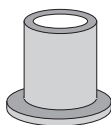


Ø 20/14 x 30

[www.electrolux.com.mk](http://www.electrolux.com.mk)  
[www.elektroluks.com.mk](http://www.elektroluks.com.mk)

**LADA Samara**  
(zvono menjača)

**RK 135**



Ø 23/16/12 x 19

**Elektroluks**

**VW GOLF Benz.  
PASSAT D**  
(biksna bendiksa)

**RK 136**

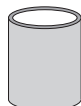


Ø 13,6/12 x 11,3

[www.electrolux.com.mk](http://www.electrolux.com.mk)  
[www.elektroluks.com.mk](http://www.elektroluks.com.mk)

**ZASTAVA 640, 650  
IMT 539**  
(biksna bendiksa)

**RK 137**

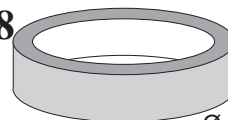


Ø 16/14,2 x 18

[www.electrolux.com.mk](http://www.electrolux.com.mk)  
[www.elektroluks.com.mk](http://www.elektroluks.com.mk)

**SANOS; MERCEDES;  
VOLVO; MAN; SCANIA**  
(Anl. "BOSCH" 5,5 - 6 kW)  
(prednja)

**RK 138**



Ø 48/40 x 10,5

[www.electrolux.com.mk](http://www.electrolux.com.mk)  
[www.elektroluks.com.mk](http://www.elektroluks.com.mk)

**SANOS; MERCEDES;  
VOLVO; MAN; SCANIA**  
(Anl. "BOSCH" 5,5 - 6 kW)  
(zadnja)

**RK 139**

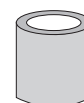


Ø 28/22 x 11,3

**Electrolux**

**ZASTAVA 619N, 620,  
RIVAL (prednja)  
TRAKTOR ZETOR**

**RK 140**



Ø 16,5/12 x 16,5



# KATALOG biksni anlasera

[www.electrolux.com.mk](http://www.electrolux.com.mk)  
[www.elektroluks.com.mk](http://www.elektroluks.com.mk)

**ZASTAVA 619N, 620,  
RIVAL (zadnja)**

**RK 141**

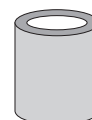


Ø 18/14 x 14

[www.electrolux.com.mk](http://www.electrolux.com.mk)  
[www.elektroluks.com.mk](http://www.elektroluks.com.mk)

**ZASTAVA IVECO  
(Anl. "MAGNETI MARELLI")  
(prednja)**

**RK 142**



Ø 18,5/12,5 x 19,5

[www.electrolux.com.mk](http://www.electrolux.com.mk)  
[www.elektroluks.com.mk](http://www.elektroluks.com.mk)

**ZASTAVA IVECO  
(Anl. "MAGNETI MARELLI")  
(srednja)**

**RK 143**



Ø 24/20,2 x 14

[www.electrolux.com.mk](http://www.electrolux.com.mk)  
[www.elektroluks.com.mk](http://www.elektroluks.com.mk)

**ZASTAVA IVECO  
(Anl. "MAGNETI MARELLI")  
(zadnja)**

**RK 144**



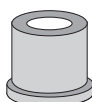
Ø 20/14 x 12

[www.electrolux.com.mk](http://www.electrolux.com.mk)  
[www.elektroluks.com.mk](http://www.elektroluks.com.mk)

**MERCEDES 124 NT**

(prednja)

**RK 145**



Ø 19/16,6/10 x 15

**Elektroluks**

**MERCEDES 124 ST, NT**

(srednja)

**RK 146**



Ø 22/18 x 6

[www.electrolux.com.mk](http://www.electrolux.com.mk)  
[www.elektroluks.com.mk](http://www.elektroluks.com.mk)

**FORD Fiesta**

(zadnja)

**RK 147**



Ø 16,5 x 12,5 x 10

[www.electrolux.com.mk](http://www.electrolux.com.mk)  
[www.elektroluks.com.mk](http://www.elektroluks.com.mk)

**RK 148**

[www.electrolux.com.mk](http://www.electrolux.com.mk)  
[www.elektroluks.com.mk](http://www.elektroluks.com.mk)

**RK 149**

**Electrolux**

**RK 150**

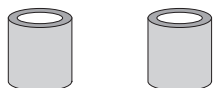


# KATALOG biksni anlasera (garniture)

[www.electrolux.com.mk](http://www.electrolux.com.mk)  
[www.elektroluks.com.mk](http://www.elektroluks.com.mk)

**ZASTAVA 750;  
FIAT 126p**

**RKG 01**

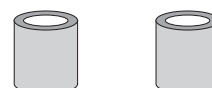


RK 101      RK 101

[www.electrolux.com.mk](http://www.electrolux.com.mk)  
[www.elektroluks.com.mk](http://www.elektroluks.com.mk)

**ZASTAVA 750;  
FIAT 126p  
(pojačane)**

**RKG 02**

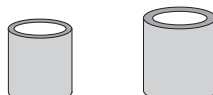


RK 102      RK 102

[www.electrolux.com.mk](http://www.electrolux.com.mk)  
[www.elektroluks.com.mk](http://www.elektroluks.com.mk)

**ZASTAVA 101, 128 NT  
JUGO NT**

**RKG 03**



RK 103      RK 105

[www.electrolux.com.mk](http://www.electrolux.com.mk)  
[www.elektroluks.com.mk](http://www.elektroluks.com.mk)

**ZASTAVA 101, 128 ST  
JUGO (Anl. "R. ČAJAVEC")**

**RKG 04**

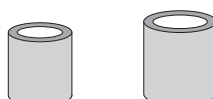


RK 104      RK 104

[www.electrolux.com.mk](http://www.electrolux.com.mk)  
[www.elektroluks.com.mk](http://www.elektroluks.com.mk)

**ZASTAVA 101, 128;  
JUGO ST**

**RKG 05**

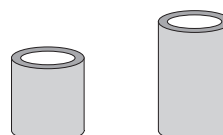


RK 101      RK 105

**Elektroluks**

**LADA**

**RKG 06**

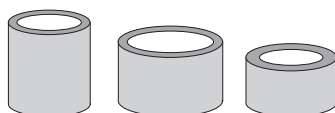


RK 105      RK 106

[www.electrolux.com.mk](http://www.electrolux.com.mk)  
[www.elektroluks.com.mk](http://www.elektroluks.com.mk)

**ZASTAVA 624, 640, 650  
IMT 533, 539, 540  
TAM 2001**

**RKG 07**

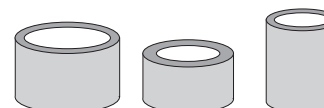


RK 107      RK 109      RK 110

[www.electrolux.com.mk](http://www.electrolux.com.mk)  
[www.elektroluks.com.mk](http://www.elektroluks.com.mk)

**TURBO ZETA**

**RKG 08**

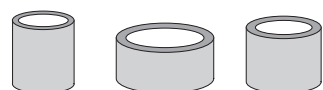


RK 109      RK 110      RK 112

[www.electrolux.com.mk](http://www.electrolux.com.mk)  
[www.elektroluks.com.mk](http://www.elektroluks.com.mk)

**VW GOLF I D;  
OPEL Kadett D ST, NT;  
FORD D;**

**RKG 09**

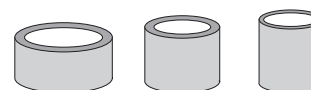


RK 114      RK 115      RK 116

**Electrolux**

**VW GOLF I Benz.  
JETTA; PASSAT;**

**RKG 10**



RK 115      RK 116      RK 117

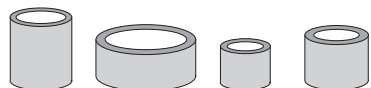


# KATALOG biksni anlasera (garniture)

[www.electrolux.com.mk](http://www.electrolux.com.mk)  
[www.elektroluks.com.mk](http://www.elektroluks.com.mk)

**VW GOLF II D;  
JETTA; PASSAT;**

**RKG 11**

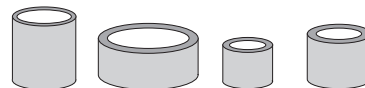


RK 114 RK 118 RK 119 RK 120

[www.electrolux.com.mk](http://www.electrolux.com.mk)  
[www.elektroluks.com.mk](http://www.elektroluks.com.mk)

**VW GOLF II Benz;  
JETTA; PASSAT;**

**RKG 12**

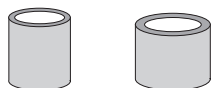


RK 117 RK 118 RK 119 RK 120

[www.electrolux.com.mk](http://www.electrolux.com.mk)  
[www.elektroluks.com.mk](http://www.elektroluks.com.mk)

**VW BUBA**

**RKG 13**



RK 114 RK 116

[www.electrolux.com.mk](http://www.electrolux.com.mk)  
[www.elektroluks.com.mk](http://www.elektroluks.com.mk)

**MERCEDES 123D, Benz.  
VOLVO**

**RKG 14**

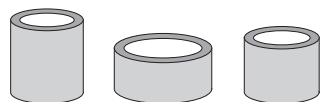


RK 121 RK 122 RK 123

[www.electrolux.com.mk](http://www.electrolux.com.mk)  
[www.elektroluks.com.mk](http://www.elektroluks.com.mk)

**MERCEDES 123  
107, 124, 126, 201 Benz.**

**RKG 15**



RK 105 RK 115 RK 116

**Elektroluks MERCEDES MINI D, Benz.  
OPEL D ST, Benz NT  
VOLVO**

**RKG 16**

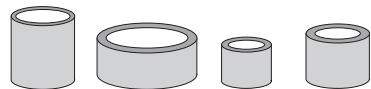


RK 122 RK 123 RK 124

[www.electrolux.com.mk](http://www.electrolux.com.mk)  
[www.elektroluks.com.mk](http://www.elektroluks.com.mk)

**MERCEDES 124  
163, 201, 208, 210 Benz.**

**RKG 17**

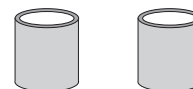


RK 117 RK 118 RK 119 RK 120

[www.electrolux.com.mk](http://www.electrolux.com.mk)  
[www.elektroluks.com.mk](http://www.elektroluks.com.mk)

**OPEL  
(Anl. "DELCO REMY")**

**RKG 18**

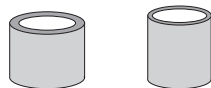


RK 117 RK 117

[www.electrolux.com.mk](http://www.electrolux.com.mk)  
[www.elektroluks.com.mk](http://www.elektroluks.com.mk)

**OPEL Kadett, Astra,  
Corsa Benz.  
(Anl. "BOSCH" ST)**

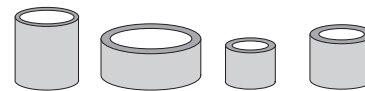
**RKG 19**



RK 116 RK 117

**Electrolux  
OPEL Kadett, Astra,  
Corsa D.**

**RKG 20**



RK 117 RK 118 RK 119 RK 120

