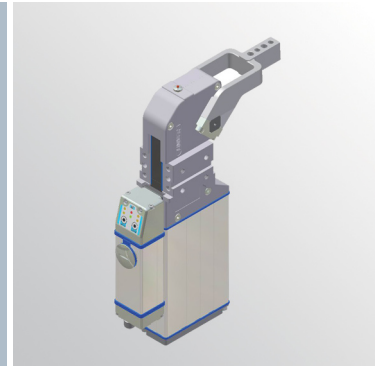


# LAE140

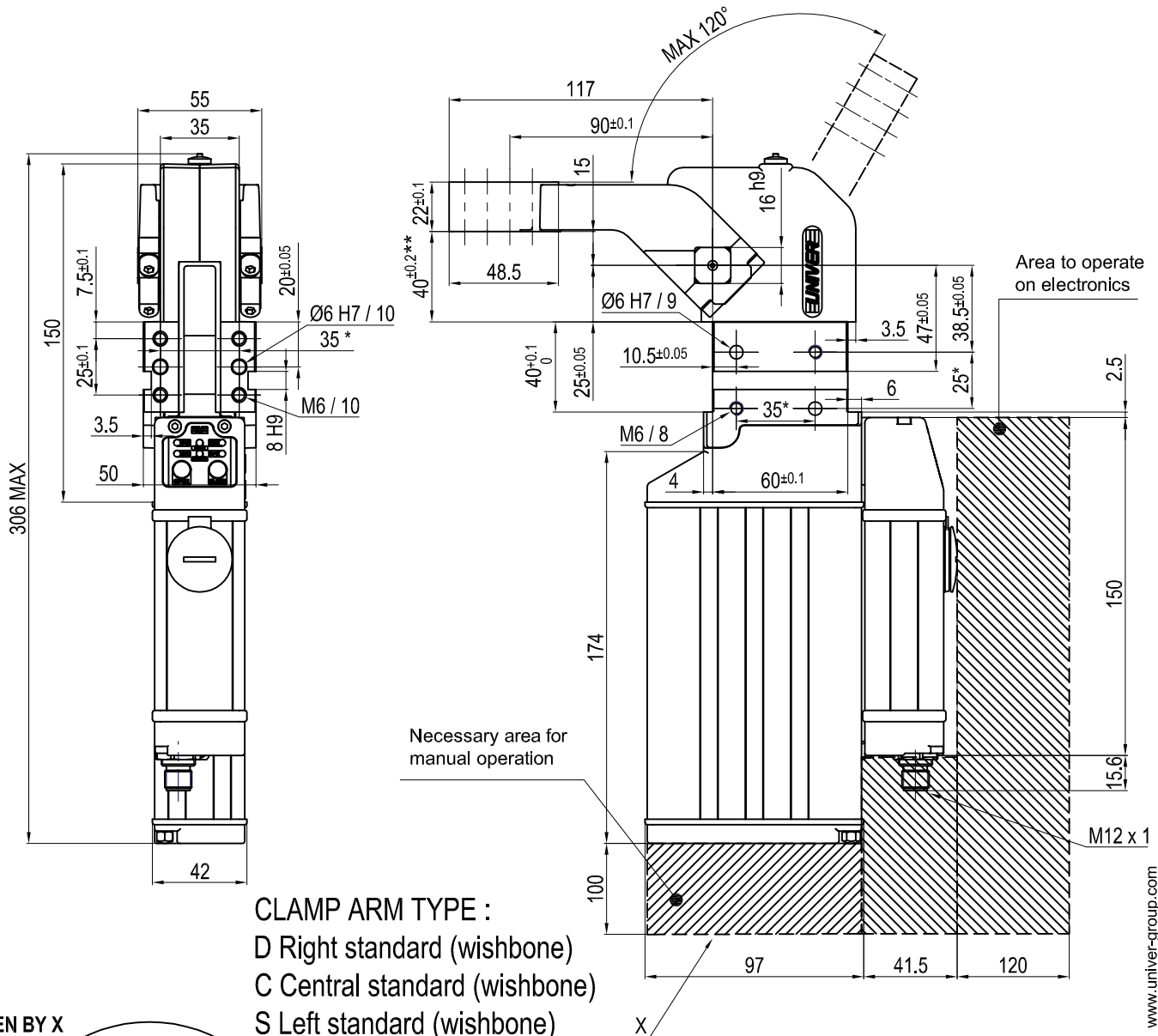
Power clamp



L	A	E	1	4	0	V	C	1	0
1			2			3	4	5	

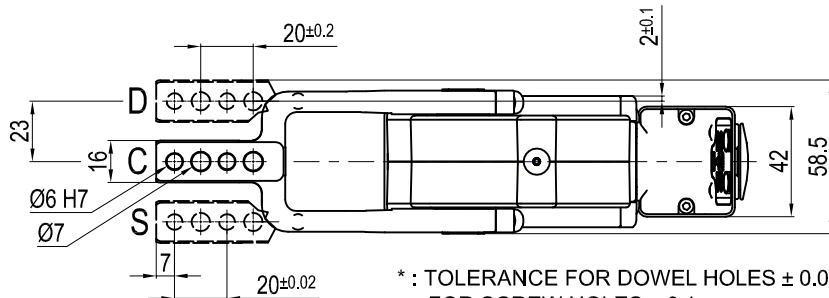
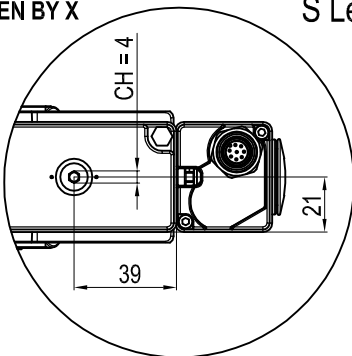
1 Series	2 Size	3 Arm mount position	
LAE = Power clamp	140	V = 90°	O = 180°

4 Arm style	5 Control module
<p>C = Central - standard</p> <p>D = Right - standard</p> <p>S = Left - standard</p>	<p>10 = 1 connector - standard software</p> <p>20 = 2 connector - standard software</p>



CLAMP ARM TYPE :  
 D Right standard (wishbone)  
 C Central standard (wishbone)  
 S Left standard (wishbone)

SEEN BY X



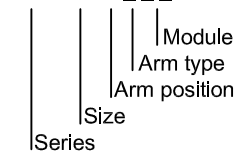
\* : TOLERANCE FOR DOWEL HOLES  $\pm 0.02$   
 FOR SCREW HOLES  $\pm 0.1$

\*\* : TOLERANCE AT 80mm FROM PIVOT POINT

Temperature range :  $5^{\circ} \div 40^{\circ}\text{C}$   
 Opening angles available :  $120^{\circ} - 105^{\circ} - 90^{\circ} - 75^{\circ} - 60^{\circ} - 45^{\circ} - 30^{\circ} - 15^{\circ}$   
 Work position : vertical  
 Class protection : IP 65

Ordering code

LAE 140 V \_\_\_

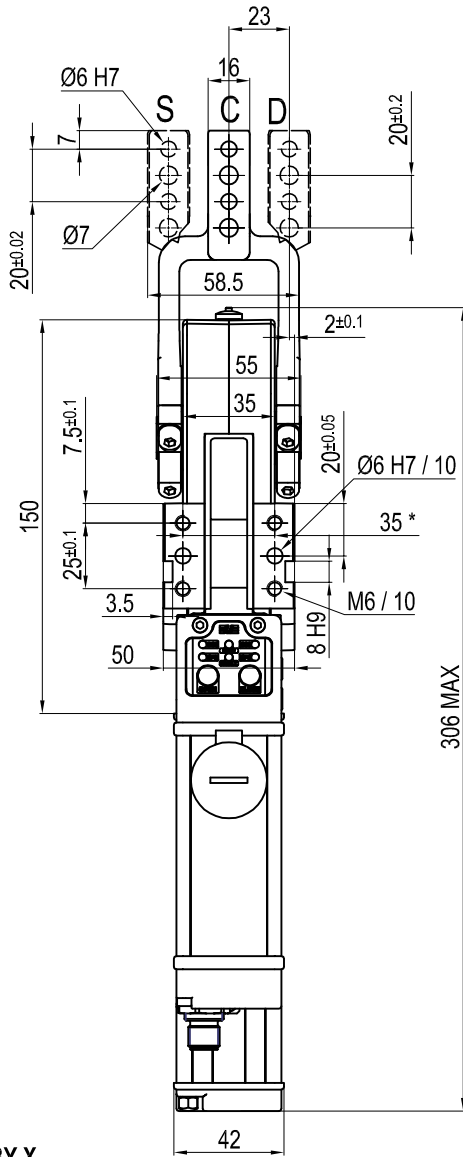


Size	Clamping Torque	Sec. to clamping point	Max weight
140	140 Nm	0.7 sec x $90^{\circ}$	2.5 Kg.

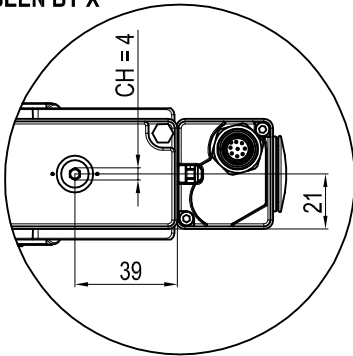
Subject to technical modifications without notice

Rev. 01 del 29 | 09 | 05

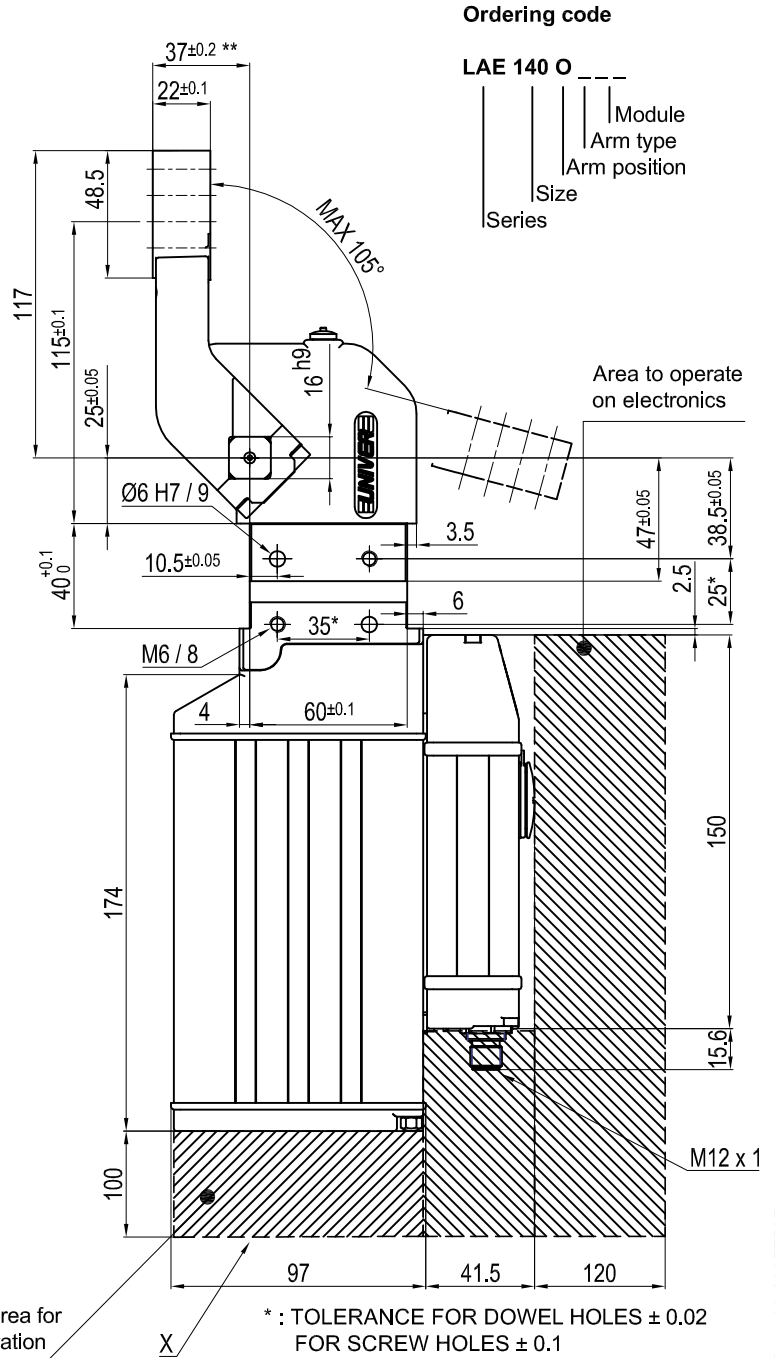
Pag. **A01.01**



SEEN BY X

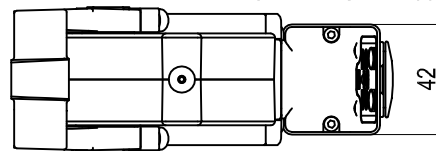


Necessary area for manual operation

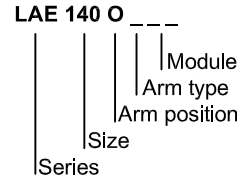


\*: TOLERANCE FOR DOWEL HOLES ± 0.02  
FOR SCREW HOLES ± 0.1

\*\* : TOLERANCE AT 80mm FROM PIVOT POINT



Ordering code



Temperature range : 5° + 40°C  
Opening angles available : 105° - 90° - 75° - 60° - 45° - 30° - 15°  
Work position : horizontal  
Class protection : IP 65

CLAMP ARM TYPE :  
D Right standard (wishbone)  
C Central standard (wishbone)  
S Left standard (wishbone)

Size	Clamping Torque	Sec. to clamping point	Max weight
140	140 Nm	0.7 sec x 90°	2.5 Kg.

Subject to technical modifications without notice

Rev. 01 del 29 | 09 | 05

Pag. **A02.01**