

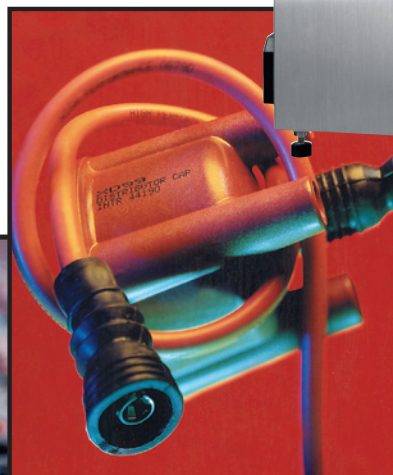


Videojet 46s Small Character Ink Jet Printer

We Build Confidence... In Small Character Ink Jet Printing

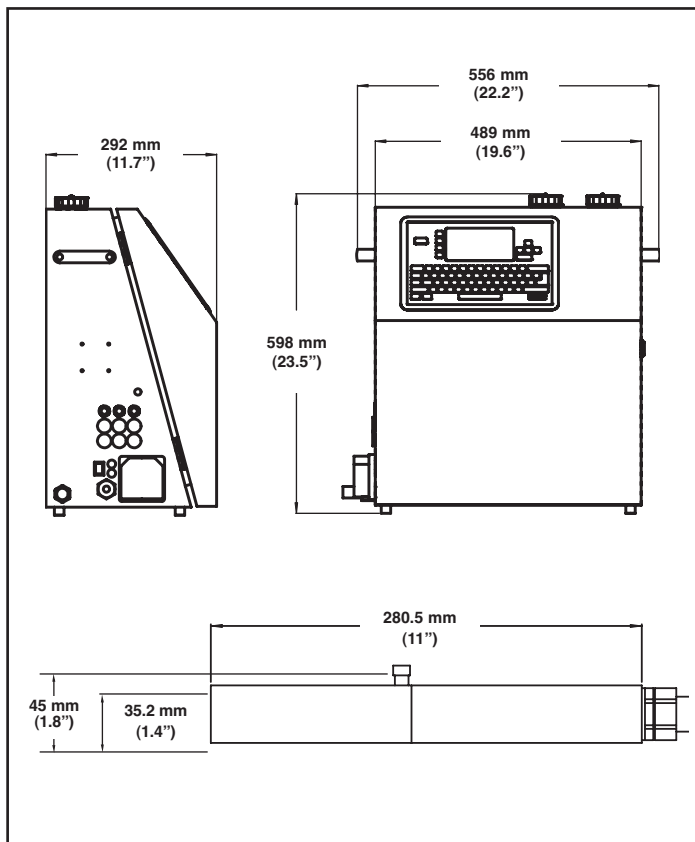
The Videojet®46s ink jet printer provides the highest reliability reduced running costs available from an airless printer.

- No need for factory air
- 4 line printing for maximum flexibility
- Single line print speed up to 5.4 m/sec. (1,066 feet per minute)
- Push button stop/start with automatic printhead flushing
- Stainless steel IP54 cabinet
- Fully compatible with Connector software



Get confident. Contact us today.

Dimensions



Videojet TotalSource® Service

The **TotalSource** program is the finest and most complete technical support system in the business. These services include everything from expert applications assistance, operator training and a full spectrum of maintenance services. The **TotalSource** program ensures total customer satisfaction. **Support when you need it**



© 2004 Videojet Technologies Inc. – All rights reserved. Videojet Technologies Inc.'s policy is one of continued product improvement. We reserve the right to alter design and/or specifications without notice. Videojet and TotalSource are registered trademarks of Videojet Technologies Inc.

CERTIFIED
ISO 9001
DOCUMENTED QUALITY



Specifications

Standard Features

- Up to 4 lines of code
- Automatic printhead flushing during start up and shut down
- Local language message editing and display
- Low solvent consumption
- IP54 stainless steel enclosure
- Shift coding
- Maintenance due indicator
- Simple WYSIWYG message creation
- Logo and graphics creation
- Password protection system
- Serializer
- Continuous print capability
- Current and expiration time and date coding
- 3 m (9.8-foot) printhead umbilical
- Bar code printing
- QWERTY keypad
- Simple push button operation
- Multi-message storage
- Multi-national character printing

Print Speed

Up to 2133 characters/sec./line

Fonts

5 x 5, 7 x 5, 9 x 6, 12 x 8, 16 x 11, 19 x 14, 24 x 17

Print Height

- 2 to 10 mm (0.08 to 0.4 inches)
- Optimum throw distance 9 mm (0.36 inches)

Electrical Requirements

- 110/230 VAC, 50/60 Hz
- 200VA

Environment

- Temperature range 5°C - 45°C (41°F - 113°F)
- Humidity up to 90% non-condensing

Inks

A range of inks, including low environmental impact and substrate-specific, for a variety of applications and industries

Data Input

- Shaft encoder
- Product detector NPN/PNP
- RS232C serial port

Options

- Stainless steel base
- Printhead positive kit
- 90 degree printhead
- Alarm outputs
- Visual status indicators
- 6 m (19.7-foot) printhead umbilical
- Remote print message selection
- ECC 200 data matrix 2D bar code
- LAN port / RS485 / 20mA Loop
- Air dryer kit



www.videojet.co.uk • uksales@videojet.com

Videojet Technologies Limited • 4 & 5 Ermine Centre • Lancaster Way
Huntingdon • Cambridgeshire • PE29 6XX • United Kingdom
Phone: 0870 240 5542 • Fax: 0870 242 2835

Part No. SL000387
46s-1004-US
Printed in U.K