

Quick Installation Guide. Web site address: www.video.uk.electrolux.com

STEP 1. Removal of the Transit Packaging



Using a suitable 10 mm spanner remove the right-hand transit bolt only.



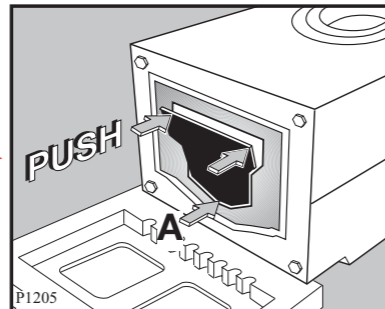
With assistance carefully lay machine on it's back ensuring the hoses are not trapped.



Remove the centre-piece of Polystyrene by moving the catch sideways.



Carefully remove the right-hand and left-hand polystyrene blocks by pulling on the plastic bags.



Insert the cover into position. The bottom of the cover «A» should be placed into position first. **Not present in all models.**



Stand machine back up and remove the remaining two transit bolts.



These plastic spacers will also need to be removed.



Using the plastic plugs provided, the holes can now be covered.



Finally you should have removed from your machine, 3 bolts, 3 spacers and 3 Polystyrene blocks.

STEP 2. Water Connection



A sealing washer/mesh filter is now an integral part of the Inlet Hose. Check it is there before fitting.

If the appliance has 2 inlet hoses, connect them according to the colour code below:

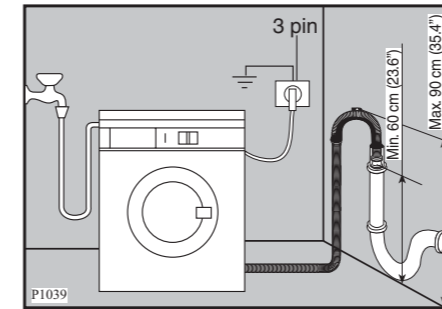
BLUE = COLD INLET.
RED = HOT INLET.



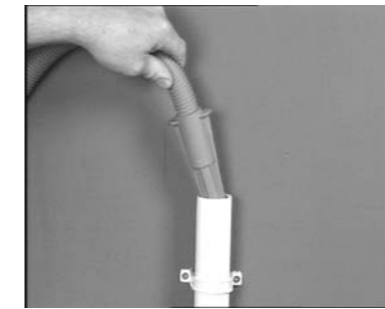
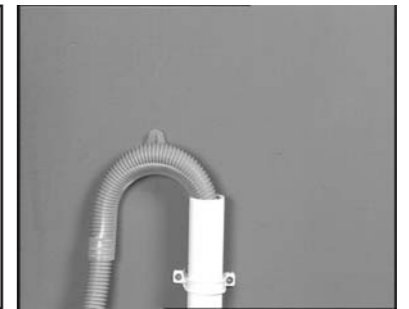
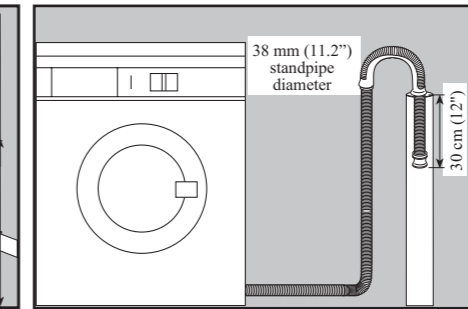
If the appliance is cold fill only, connect the hose to the cold tap and leave the hot tap (if there is one) unconnected and switched off.

Please ensure the inlet hose is also tightened at the machine end.

STEP 3. Water Drainage Connection.



The Drain Hose can be hooked into a standpipe. The hook is formed using the «U» piece provided. The maximum length of hose inside the standpipe must not be more than 30 mm.



If your Drain Hose looks like this you do not require the «U» piece. Just push the hose firmly into the standpipe.

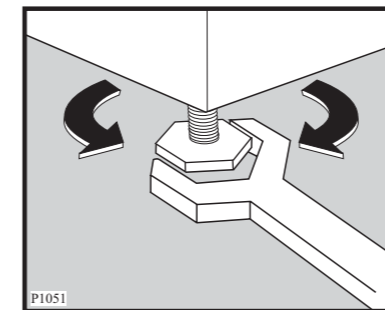


Alternatively you may wish to connect the Drain Hose to a sink spigot. Ensure the spigot is clear if this is the first time it has been used.



Both the above type Drain Hoses will fit onto a spigot as they are tapered to grip the hose. Position the hose with a loop at the top to ensure correct drainage.

STEP 4. Levelling



Remember for good stability the machine will need to be level. The feet can be adjusted using a suitable spanner; they incorporate a self-locking nut.

Please refer to your instruction booklet for more detailed information on the installation of your machine, or visit our Web site to view an install video.

www.video.uk.electrolux.com