

**OPERATION:**

Application:	L.B.P.	Max. Ambient Temp:	43°C
Refrigerant:	R134a	(1) Max. Steady Discharge Temp:	120°C
Operation:	Capillary	(1,2) Max. Peak Discharge Temp:	135°C
Cooling:	Static	Max. Steady Condensing Temp:	60°C
		(2) Max. Peak Condensing Temp:	70°C
		Max. Winding Temp:	130°C
		Max. Impurities:	30 mg
		Max.Total Compressor Water Content:	100 mg

**COMPRESSOR:**

Displacement:	5.73 cc	Oil Type:	Ester
Bore:	20.6 mm	(4) Viscosity:	19 cSt
Stroke:	17.2 mm	Suction Muffler:	Semi-direct
(3) Net Wt:	10.0 kg		
Case Size:	4		
Oil Charge:	270 cc		

**ELECTRICAL:**

Power Supply:	220 - 240V	Motor Type:	RSCR
Voltage Limits:	187 - 264V	Locked Rotor Current:	8.6 / 4.3 A**
Frequency:	50 Hz		
Phase:	1 ph		
		Main Winding Resistance at 25°C:	15.8 Ω
		Start Winding Resistance at 25°C:	22.1 Ω

\*\* Maximum current / Measured after 4 seconds

- (1) Measured 5cm. from the shell with insulated thermocouples
- (2) For transient conditions during 'Pull Down'
- (3) Net weight is with oil but without electrics
- (4) Measured at 40°C

For rated performance,  
the suction line must be connected to the stub  
marked 'AS' on the attached drawing.  
A run capacitor must be used with RSCR and CSR  
compressors.

**ELECTRICAL COMPONENTS:**

ZEM Starting Device:	PTC- 8100
(1) ZEM Starting Device:	PTC- 7100
ZEM PTC Resistance:	14 Ω
'Combo' PTC Resistance:	14 Ω
Run Capacitor:	4.0 μF

**PROTECTORS:**

PROTECTORS	BDG ¾	Combo	Electrica ¾	Texas ¾
Type	<b>AF 25 FU x</b>	<b>C2-166 NFBYY xx</b>	<b>T 0602 / xx</b>	<b>MRP 334HZ xxxx</b>
Open °C	115 - 125 °C	115 - 125 °C	115 - 125 °C	115 - 125 °C
Close °C	71 - 53 °C	70 - 52 °C	70 - 55 °C	70 - 52 °C
U.T.C	1.05 A 70 °C	1.17 A 70 °C	1.32 A 70 °C	1.35 A 70 °C
Time Check Current	4.30 A	4.7 A (5-15s)	4.50 A	4.40 A
Max. Current	10.0 A	10.2 A (2s max.)	10.0 A	12.0 A
Code (if any)	D3	23	AM	T5

*Texas 'xxxx' Codes: 3201 for terminal boards Mod.89,90  
3166 for terminal board Mod.91*

*BDG 'x' Codes: 6 for terminal boards Mod.89,90  
8 for terminal board Mod.91*

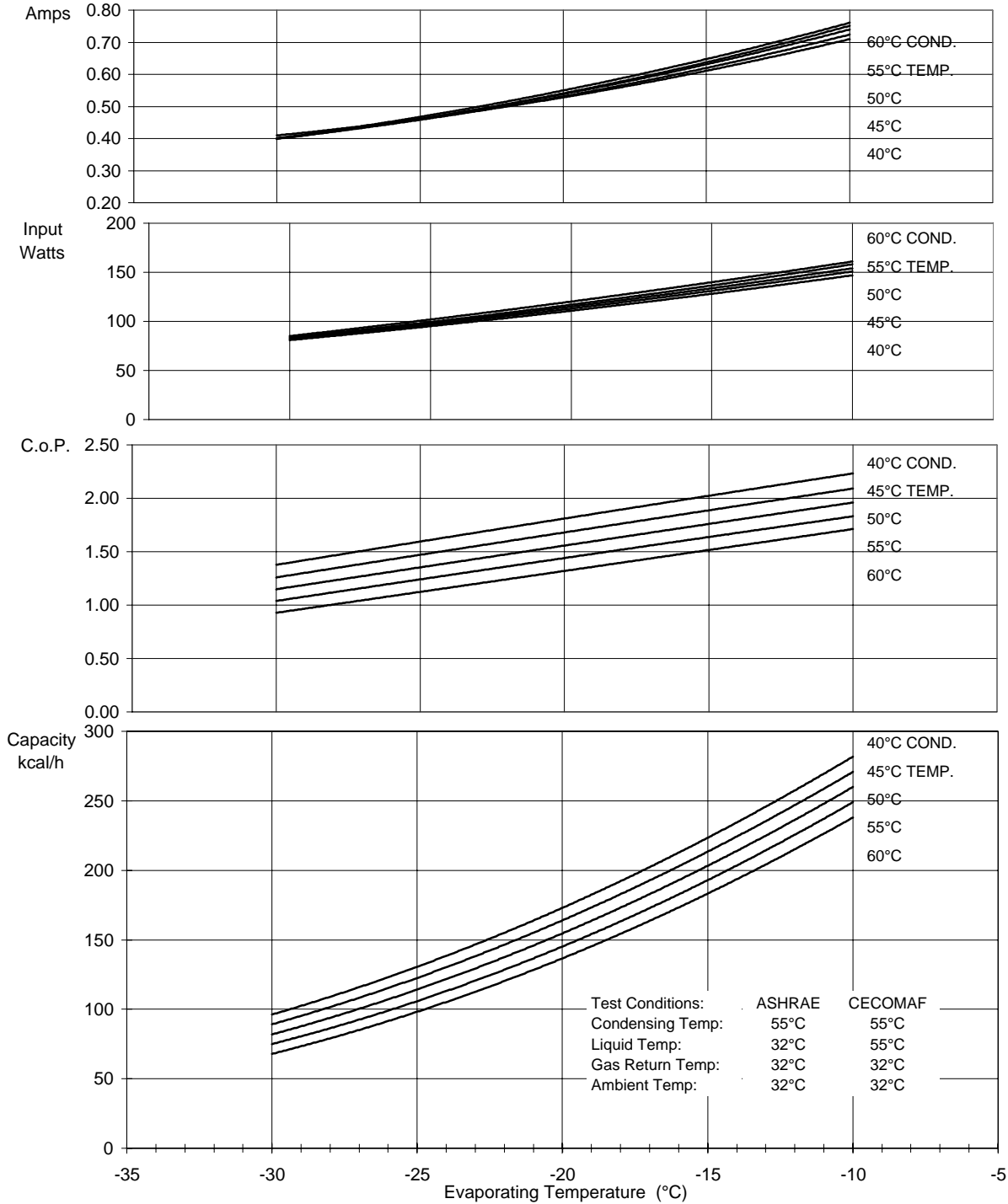
*Electrica 'xx' Codes: 74 for terminal boards Mod.89,90  
26 for terminal board Mod.91*

*Combo 'xx' Codes: .. for different contact versions*

*(1) PTC- 7100 is for use with BDG protector only.*

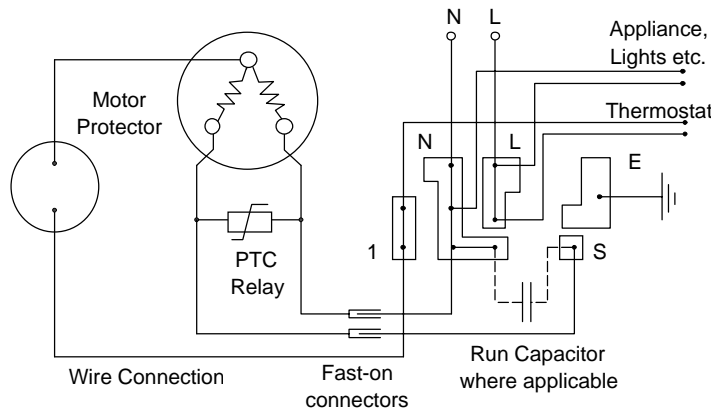
**PERFORMANCE:** (Graphs are at ASHRAE conditions)

**220V 50Hz**

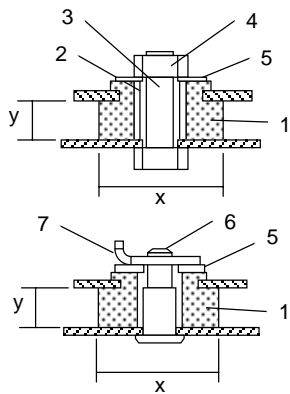


		Evaporating Temperature °C	-30	-25	-23.3	-20	-15	-10
<b>ASHRAE:</b>	Capacity	Kcal/h	75	106	119	145	193	249
	C.o.P.	W / W	1.04	1.24	1.31	1.44	1.64	1.83
<b>CECOMAF:</b>	Capacity	W	71	101		138	183	236
	C.o.P.	W / W	0.85	1.02		1.18	1.34	1.49
	Input Power	W	84	99	106	117	137	158
	Current	A	0.40	0.46	0.49	0.54	0.64	0.75

Circuit Diagram for Mod.90 Terminal Board

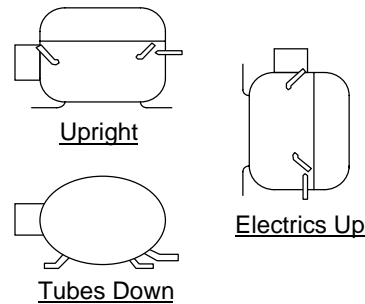


Mounting Accessories



- x = 26mm or 28.5mm  
y = 9mm or 10.3mm  
Other sizes available
1. Rubber grommet
  2. Sleeve
  3. Hexagon head bolt
  4. Hexagon nut
  5. Washer
  6. Steel pin
  7. Clip

Recommended Transport Positions when fitted into appliances



Compressor Label

