



Electrolux Bitola

MARTIRANJE-ZIGOSUVANJE NA MATERIJALI

Ovoј crtez e sopstvenost na Electrolux-Bitola.Bez negovo pismeno odobruvanje istot nesmee da se prepisuva ,umozuva niti kopira bez soglasnost od Elctroluks vo sproftivno se snosat posledici vo smislana clenovite 163 i 164 od kriticniot zakon R.M. (повреда на авторско право)



IMPACT PRESSES

Адреса: ул. Браќа Минџови бр.18,Стара Царинаја Биџола
Адреса: ул. Айосџил Ѓусларов 1-а Г.Г.Ц.Бунџаковец Скопје
Тел/Факс: 047/203-900; 203-330; 070/237-108
Тел/Факс:02/329 8 130;070/237 198
www.electroluks.com.mk , electrolux@mt.net.mk

® Elektroluks is registered trademark of Elektroluks companies in Macedonia and other countries



Electrolux Bitola

MARTIRANJE-ZIGOSUVANJE NA MATERIJALI

The manually operated impact presses are available in 3 versions depending upon the maximum impact force required: 3 kN, 25 kN or 50 kN.

All machines offer following characteristics:

- The pre-clamping action of the press prevents material deformation
- Maximum sensitivity and accuracy
- Consistent depth of mark even for components with large variations in tolerance
- Exact pressure setting from 0 kN up to the maximum allowable for the model
- Easy accessibility for different sizes of component thanks to the large daylight
- High production rates
- Extensive range of accessories, such as types, typeholders, engraved dies, numbering heads, all of the highest quality (see pages 14/15)

Furthermore, the impact presses can be used for numerous applications apart from marking, such as riveting, assembling, inserting, press-fitting etc.

MANUAL IMPACT

Mod. MB 15



Mod. MB 20



Mod. MB 32



Ovo je crtež e sopstvenost na Electrolux-Bitola.Bez negovo pismeno odobruvanje istot nesmee da se prepisuje ,umnozava niti kopira bez soglasnost od Electroluks vo sprofitno se snosat posledici vo smislana clenovite 163 i 164 od kriticniot zakon R.M. (povreda na avtorsko pravo)

Адреса: ул. Браќа Минџови бр.18,Стара Царинаја Битола
Адреса: ул. Айосџил Ѓусларов 1-а Г.Г.Ц.Бунџаковец Скопје
Тел/Факс: 047/203-900; 203-330; 070/237-108
Тел/Факс:02/329 8 130;070/237 198
www.electroluks.com.mk , electrolux@mt.net.mk

Electroluks is registered trademark of Elektroluks companies in Macedonia and other countries

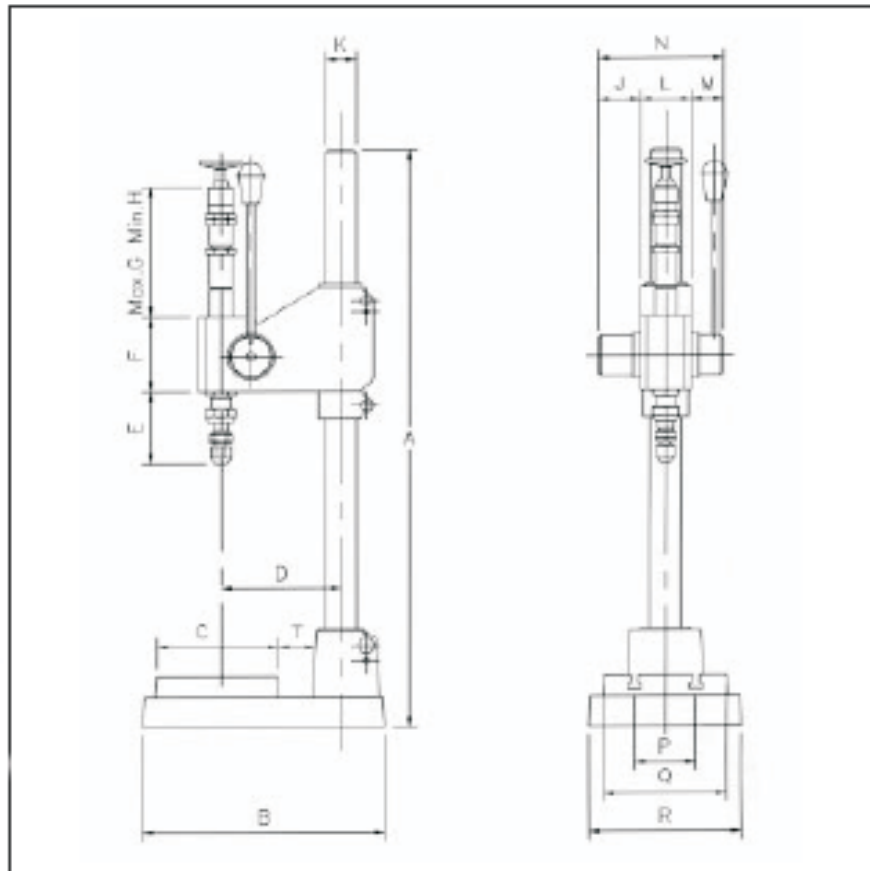


Electrolux Bitola

MARTIRANJE-ZIGOSUVANJE NA MATERIJALI

Technical Data:

	MB15	MB20	MB32
Impact range	3 kN (0-300 kg)	25 kN (0-2500 kg)	50 kN (0-5000 kg)
Daylight (max)	0-260 mm	0-323 mm	0-390 mm
Nett weight	10 kg	33 kg	99 kg
Table size	102x102 mm	162x162 mm	224x224 mm
Spigot size	Ø6x30 mm Ø6x32 mm	Ø10x38 mm	Ø16x48 mm
Travel (DIN 650)	6 mm	8 mm	12 mm
Overall stroke	35 mm	61 mm	106 mm
Pre-travel	10 mm	18 mm	22 mm
Useable stroke	0-25 mm	0-43 mm	0-84 mm



Dimensions (mm):

	A	B	C	D	E	F	G	H	K	J	L	M	N	P	Q	R	T
MB15	454	215	102	112	48	58	130	100	30	28	48	30	106	50	102	130	40
MB20	653	316	162	160	115	102	190	160	42	56	65	44	165	80	162	203	50
MB32	858	445	224	230	155	181	340	320	70	66	106	59	231	120	224	280	70

Ovoј crtez e sopstvenost na Electrolux-Bitola. Bez negovo pismeno odobruvanje istot nesmee da se prepisiva , umnozuva niti kopira bez soglasnost od Electroluks vo sprofitno se snosat posledici vo smislana clenovite 163 i 164 od krivicniot zakon R.M. (povreda na avtorsko pravo)

Адреса: ул. Браќа Минџови бр.18, Стара Царинаја - Битола
 Адреса: ул. Айосџил Ѓусларов 1-а Г.Г.Ц.Бунџаковец Скопје
 Тел/Факс: 047/203-900; 203-330; 070/237-108
 Тел/Факс: 02/329 8 130; 070/237 198
www.electroluks.com.mk , electrolux@mt.net.mk

Electroluks is registered trademark of Elektroluks companies in Macedonia and other countries



Electrolux Bitola

MARTIRANJE-ZIGOSUVANJE NA MATERIJALI

The pneumatic impact presses are available in 3 versions depending upon the maximum impact force required: 3 kN, 25 kN and 50 kN. All machines offer the following characteristics:

- The pre-clamping action of the press prevents material deformation
- Maximum sensitivity and accuracy
- Consistent depth of mark even for components with large variations in tolerance
- Exact pressure setting from 0 kN up to maximum allowable for the model
- Easy accessibility for different sizes of component thanks to the large daylight
- Double acting pneumatic cylinders increase operating speeds
- Simple integration into production lines
- Enormous range of accessories, such as types, typeholders, engraved dies, numbering heads, all of the highest quality (see pages 14/15)

Furthermore, the impact presses can be used for numerous applications apart from marking such as riveting, assembling, inserting, press-fitting etc.

PNEUMATIC IMPACT

Mod. MB 19



Mod. MB 21



Mod. MB 35



Ovo je crtež e sopstvenost na Electrolux-Bitola. Bez negovo pismeno odobruvanje istiot nesmee da se prepisuva, umnozuva niti kopira bez soglasnost od Electroluks vo sprotivno se snosat posledici vo smislana clenovite 163 i 164 od Krivicniot zakon R.M. (povreda na avtorsko pravo)

Адреса: ул. Браќа Минџови бр.18, Стара Царина, Битола
Адреса: ул. Айосџол Ѓусларов 1-а Г.Г.Ц.Бунџаковец Скопје
Тел/Факс: 047/203-900; 203-330; 070/237-108
Тел/Факс: 02/329 8 130; 070/237 198
www.elektroluks.com.mk , electrolux@mt.net.mk

Electroluks is registered trademark of Elektroluks companies in Macedonia and other countries

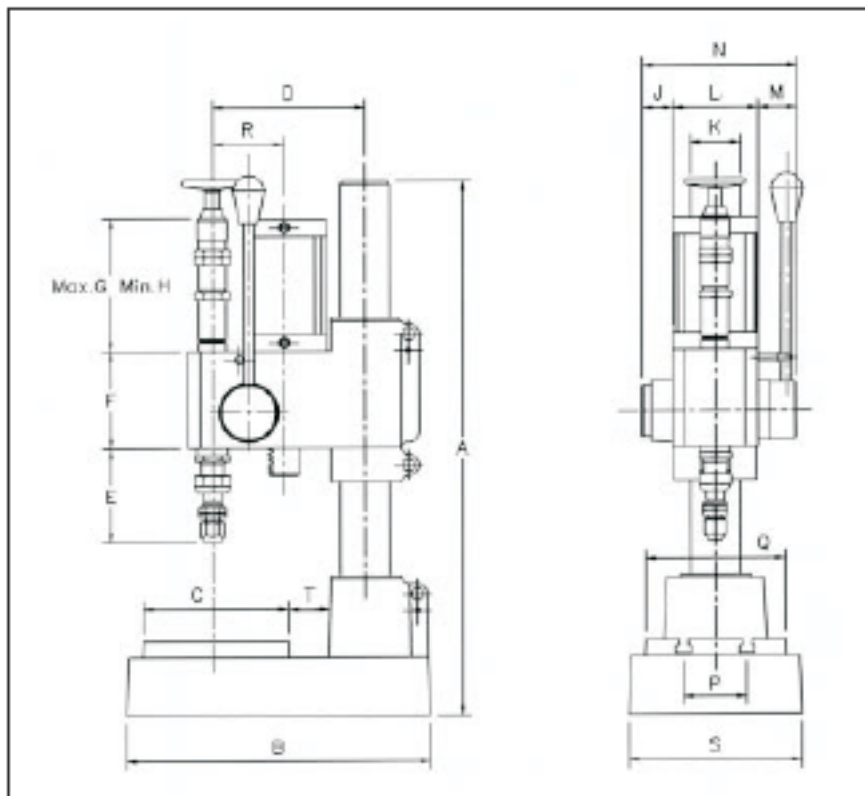


Electrolux Bitola

MARTIRANJE-ZIGOSUVANJE NA MATERIJALI

Technical Data:

	MB19	MB21	MB35
Impact range	3 kN (0-300 kg)	25 kN (0-2500 kg)	50 kN (0-5000 kg)
Throat height (max)	0-175 mm	0-265 mm	0-300 mm
Nett weight	14,5 kg	53 kg	162 kg
Air connection	1/8	1/4	3/8
Spigot size	Ø6x30 mm Ø8x32 mm	Ø10x38 mm	Ø16x48 mm
Travel (DIN 650)	6 mm	8 mm	12 mm
Overall stroke	22 mm	60 mm	80 mm
Pre-travel	8 mm	18 mm	22 mm
Usable stroke	0-14 mm	0-42 mm	0-58 mm
Air pressure (max)	10 bar	10 bar	10 bar
Air consumption per stroke	0,183 dm ³ (a 4 bar)	1,049 dm ³ (a 6 bar)	1,668 dm ³ (a 6 bar)



Dimensions (mm):

	A	B	C	D	E	F	G	H	K	J	L	M	N	P	Q	R	S	T
MB19	375	225	110	112,5	48	67	121	91	36	22	58	30	110	50	110	170	240	30
MB21	630	360	170	180	120	116	162	132	60	38	102	45	185	80	170	85	200	50
MB35	840	503	240	260	155	180	340	320	100	40	170	52	262	120	240	112	300	70

Ovo je crtež e sopstvenost na Electrolux-Bitola.Bez negovo pismeno odobruvanje istiot nesmee da se prepisiva ,umozuva niti kopira bez soglasnost od Electroluks vo sprofitno se snosat posledici vo smislana clenovite 163 i 164 od krivicniot zakon R.M. (povreda na avtorsko pravo)

Адреса: ул. Браќа Минџови бр.18, Стара Царина, Битола
 Адреса: ул. Айосџол Ѓусларов 1-а Г.Ц. Бунџаковец Скопје
 Тел/Факс: 047/203-900; 203-330; 070/237-108
 Тел/Факс: 02/329 8 130; 070/237 198
www.electroluks.com.mk , electrolux@mt.net.mk

Electroluks is registered trademark of Elektroluks companies in Macedonia and other countries



Electrolux Bitola

MARTIRANJE-ZIGOSUVANJE NA MATERIJALI

The impact units of the VP series are available in 3 versions depending upon the maximum impact force required: 3 kN, 25 kN and 50 kN. All machines offer the following characteristics:

- The pre-clamping action of the press prevents material deformation
- Maximum sensitivity and accuracy
- Consistent depth of mark even for components with large variations in tolerance
- Exact pressure setting from 0 kN up to maximum allowable for the model
- Very compact design
- Double acting cylinders increase operating speeds
- Especially suitable for integration in transfer lines
- Suitable for mounting in any plane
- Impact can be released at any point within the stroke
- Enormous range of accessories, such as types, typsholders, engraved dies, numbering heads, all of the highest quality (see pages 14/15)

Furthermore, the impact press can be used for numerous applications apart from marking such as riveting, assembling, inserting press-fitting etc.

IMPACT UNITS



Mod. MB 21 VP



Mod. MB 19 VP



Mod. MB 35 VP

Ovoј crtez e sopstvenost na Electrolux-Bitola.Bez negovo pismeno odobruvanje istiot nesmee da se prepisuva ,umozuva niti kopira bez soglasnost od Elctroluks vo sprovitvo se snosat posledici vo smislana clenovite 163 i 164 od kriticniot zakon R.M. (povreda na avtorsko pravo)

Адреса: ул. Браќа Минџови бр.18,Стара Царина Битола
Адреса: ул. Айосџол Ѓусларов 1-а Г.Г.Ц.Бунџаковец Скопје
Тел/Факс: 047/203-900; 203-330; 070/237-108
Тел/Факс:02/329 8 130;070/237 198
www.elektroluks.com.mk , electrolux@mt.net.mk

Electroluks is registered trademark of Elektroluks companies in Macedonia and other countries

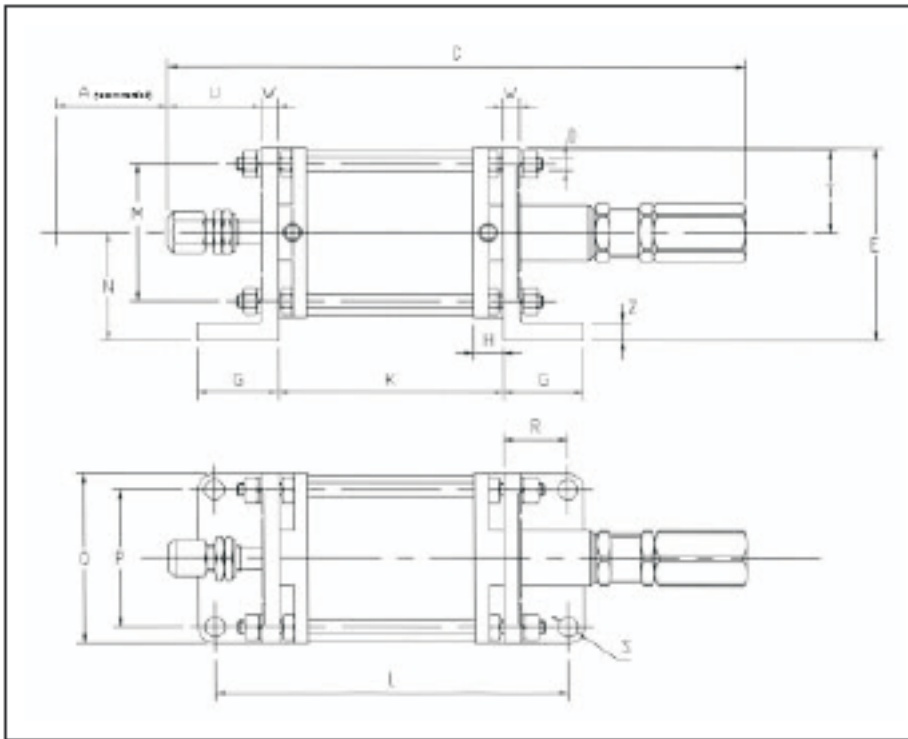


Electrolux Bitola

MARTIRANJE-ZIGOSUVANJE NA MATERIJALI

Technical Data:

	MB19VP	MB21VP	MB35VP
Impact range	3 kN (0-300 kg)	25 kN (0-2500 kg)	50 kN (0-5000 kg)
Nett weight	2 kg	10 kg	38 kg
Air connection	1/8	1/4	3/8
Spigot size	Ø6x30 mm Ø6x32 mm	Ø10x38 mm	Ø16x48 mm
Overall stroke	32 mm	67 mm	110 mm
Pre-travel	8 mm	18 mm	25 mm
Usable stroke	0-24 mm	0-49 mm	0-85 mm
Air pressure (max)	10 bar	10 bar	10 bar
Air consumption per stroke	0,22 dm ³ (a 4 bar)	1,049 dm ³ (a 6 bar)	2,726 dm ³ (a 6 bar)



Dimensions (mm):

	A	C	D	E	G	H	K	L	M	N	P	Q	R	S	T	U	W	Z
MB19VP	48	260	M8	78	45	14	88	158	50	45	45	65	35	10,5	32,5	45	10	10
MB21VP	88	407	M10	130	55	20	151	238	90	73	90	115	43	14	73	65	12	12
MB35VP	105	841	M16	216	86	30	232	268	140	125	140	180	66	17	92	134	27	25

Ovoј crtez e sopstvenost na Electrolux-Bitola.Bez negovo pismeno odobruvanje istot nesmee da se prepisuje ,umozuva niti kopira bez soglasnost od Electroluks vo sprofitno se snosat posledici vo smislana clenovite 163 i 164 od krivicniot zakon R.M. (povreda na avtorsko pravo)

Адреса: ул. Браќа Минџови бр.18,Стара Царинаја Битола
 Адреса: ул. Айосџил Ѓусларов 1-а Г.Г.Ц.Бунџаковец Скопје
 Тел/Факс: 047/203-900; 203-330; 070/237-108
 Тел/Факс:02/329 8 130;070/237 198
www.electroluks.com.mk , electrolux@mt.net.mk

Electroluks is registered trademark of Elektroluks companies in Macedonia and other countries



Electrolux Bitola

MARTIRANJE-ZIGOSUVANJE NA MATERIJALI

The impact spindles are available in 3 versions depending upon the maximum impact force required: 3 kN, 25 kN or 50 kN.

All spindles offer the following characteristics:

- The pre-clamping action of the press prevents material deformation
- Maximum sensitivity and accuracy
- Consistent depth of mark even for components with large variations in tolerance
- Exact pressure setting from 0 kN up to maximum allowable for the model
- Extremely compact dimensions
- Capable of being mounted on a fixture with double acting cylinder
- Particularly suited for integration in transfer lines and capable of being mounted in any plane
- Enormous range of accessories, such as types, typsholders, engraved dies, numbering heads, all of the highest quality (see pages 14/15)

Furthermore, the impact press can be used for numerous applications apart from marking, such as riveting, assembling, inserting, press-fitting etc.

IMPACT SPINDLES



MB15/19



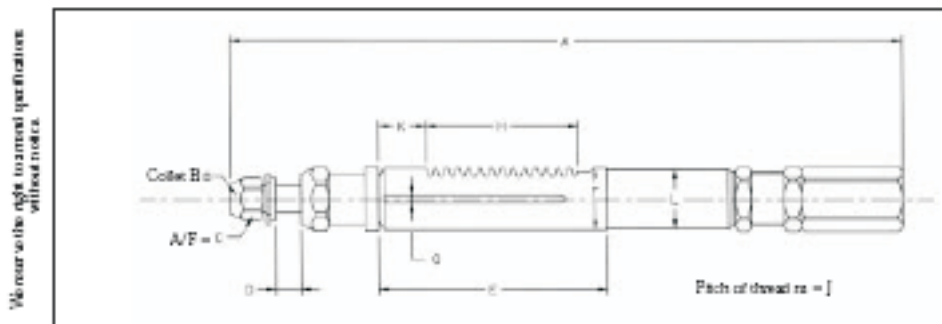
MB20/21



MB32/35

Technical Data:

	MB15/19	MB20/21	MB32/35
Impact range	3 kN (0-300 kg)	25 kN (0-2500 kg)	50 kN (0-5000 kg)
Nett weight	0,6 kg	2,1 kg	10,2 kg
Spiget size	Ø6x30 mm Ø6x32 mm	Ø10x38 mm	Ø16x48 mm
Overall stroke	35 mm	61 mm	106 mm
Pre-travel	10 mm	18 mm	22 mm
Useable stroke	0-25 mm	0-43 mm	0-84 mm



Dimensions (mm):

	A	B	C	D	E	F	G	H	K	J	L
MB15	240	Ø6-8	13-17	8	80	25	3	54	15	1,25	24
MB20	400	Ø10	24	17	137	36	6	97	19	2	34
MB32	670	Ø16	36	22	246	60	7	136	80	2	58

Ovoj crtez e sopstvenost na Electrolux-Bitola.Bez negovo pismeno odobruvanje istiot nesmee da se prepisiva ,umozuva niti kopira bez soglasnost od Elctroluks vo sprofitno se snosat posedioci vo smislana clenovite 163 i 164 od kriticniot zakon R.M. (povreda na avtorsko pravo)

Адреса: ул. Браќа Минџови бр.18,Стара Царинаја Битола
 Адреса: ул. Айосџил Ѓусларов 1-а Г.Г.Ц.Бунџаковец Скопје
 Тел/Факс: 047/203-900; 203-330; 070/237-108
 Тел/Факс:02/329 8 130;070/237 198

www.elektroluks.com.mk , electrolux@mt.net.mk

Electroluks is registered trademark of Elektroluks companies in Macedonia and other countries



Electrolux Bitola

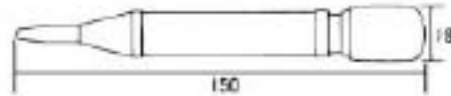
MARTIRANJE-ZIGOSUVANJE NA MATERIJALI

MICRO CENTRE PUNCH



	1	2	3	4	5	6	7	8
A								
B								
C								
D								
E								
F								
G								

Table of special marking symbols



MICRO CENTRE PUNCH

Portable marking unit. The internal impact force is triggered by pressure using the palm of the hand. The micro centre punch is practical, versatile and quick, and has an impact force adjustable from 5-50 kg. The micro centre punch is available in black metal or in coloured plastic. Various punches are available including letters of the alphabet, numbers in 2.5 mm. height as well as the symbols shown in the adjacent table. Special signs and logos can also be supplied on request up to a maximum of 3 mm height.



Ovo je crtez e sopstvenost na Electrolux-Bitola.Bez negovo pismeno odobruvanje istot nesmee da se prepisuje ,umozuwa nifi kopira bez soglasnost od Electroluks vo sprofitno se snosat posledici vo smislana clenovite 163 i 164 od kriticniot zakon R.M. (povreda na avtorsko pravo)

Адреса: ул. Брани Митрови бр.10, Стари Цариници - Битола
Адреса: ул. Айстойл Бусларов 1-а Г.Ц.Бунџаковец Скопје
Тел/Факс: 047/203-900; 203-330; 070/237-108
Тел/Факс:02/329 8 130;070/237 198
www.electroluks.com.mk , electrolux@mt.net.mk

Electroluks is registered trademark of Elektroluks companies in Macedonia and other countries



Electrolux Bitola

MARTIRANJE-ZIGOSUVANJE NA MATERIJALI

Ovoј crtez e сопственост на Electrolux-Bitola.Bez negovo писмено одобрување иџтот несмее да се препишува ,умножува ниџ копира без согласност од Electroluks во спровитно се сносат последици во смислана членовите 163 и 164 од кривичниот закон R.M. (повреда на авторско право)



FONT SETS

Automator steel types are of exceptional quality, incorporating as they do 50 years' experience. They are made from specially selected steel, which guarantees a long life time.

The most modern production method ensures perfect centering and exact dimensional tolerances. Standard font sets with or without a typeholder

contain:

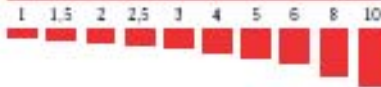
- 100 characters
- 20 blanks
- Tweezers and allen key

A A A a

Types of character:

- standard sharp face
- multi-dot
- rounded
- flat face
- hot marking
- lower case

Height of standard character sizes:



ENGRAVED STAMPS & DIES

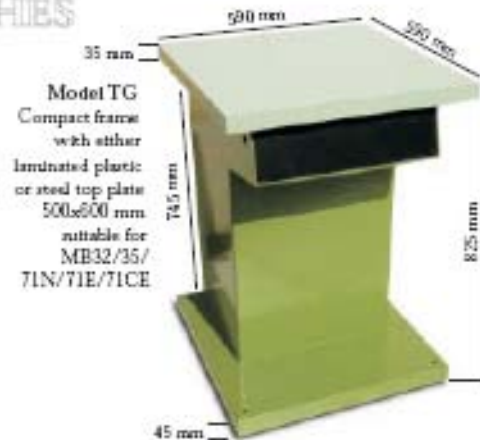
Special dies and punches to any shape with perfect representation of logos or script are made to customers' requirements from special steel. Many years of experience guarantee highest quality and closest tolerances.



BANCHIES



Model T:
Adjustable table height from 700-790 mm.
Adjustable foot-rest suitable for MB15/19/20/21/32/40N



Model TG
Compact frame with either laminated plastic or steel top plate 500x500 mm suitable for MB32/35/71N/71E/71CE

Адреса: ул. Браќа Минџови бр.18, Стара Царинаја Битола
 Адреса: ул. Айосџол Ѓусларов 1-а Г.Г.Ц.Бунџаковец Скопје
 Тел/Факс: 047/203-900; 203-330; 070/237-108
 Тел/Факс: 02/329 8 130; 070/237 198
www.electroluks.com.mk , electrolux@mt.net.mk

Electroluks is registered trademark of Elektroluks companies in Macedonia and other countries



Electrolux Bitola

MARTIRANJE-ZIGOSUVANJE NA MATERIJALI

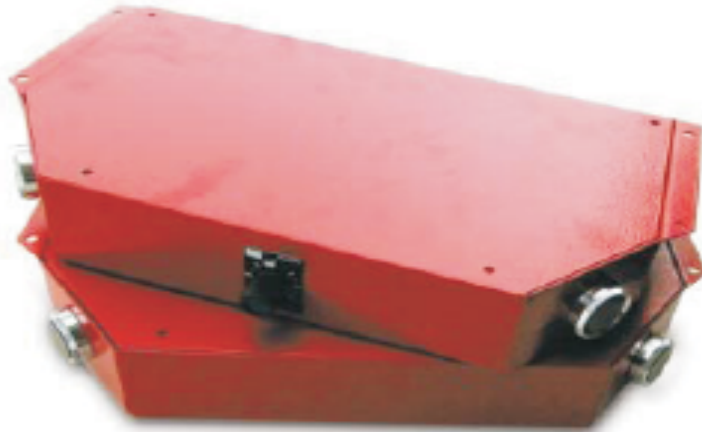
TWIN PUSH BUTTON SAFETY CONTROL SYSTEM

Technical data:

- Filtered air either lubricated or not lubricated
- Air pressure: 2-8 bar
- Temperature range: min -10°/max 60°C

Pneumatic Elements:

- ① Pneumatic valve 5/2 way - pneumatically operated
- ② Safety valve
- ③ Protected push buttons



Automator offers 2 different twin push button safety systems:

Security 1 is a twin push button safety control system to CE standards

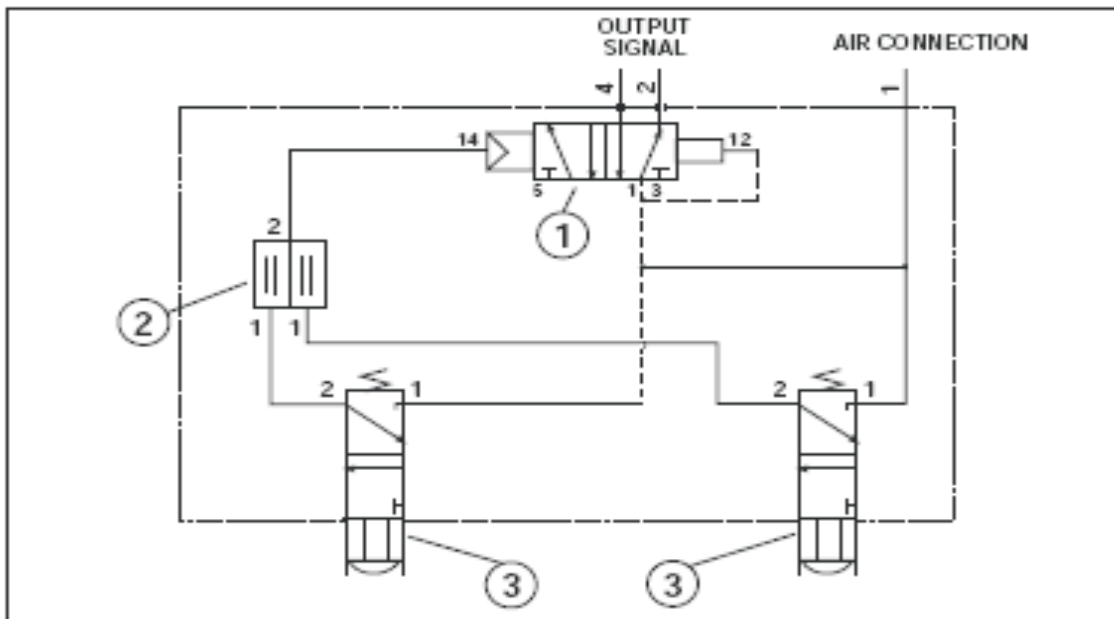
Security 2 is a twin push button safety control system to CE standards with an additional adjustable timer fitted to the front panel. This is particularly useful for hot marking as this can set the dwell time for the marking head.

DECLARATION OF CONFORMITY

Automator International Srl • Via Meucci 8 • I-20094 Corsico (MI) declares that the twin push button safety control system Type Security 1 Code 08.156.4 conforms to the following CE norms: CE 89/392, 91/368, 93/44, 93/68 and has acquired the following registration number:

nr. 0249 AT 261

on 30.07.1996 from the Institute ANCPPI Srl and registered with the Italian Ministry of Industry under no. 0902.



Ovo je crtež e sopstvenost na Electrolux-Bitola.Bez negovo pismeno odobruvanje istiot nesmee da se prepisiva ,umozuva niti kopira bez soglasnost od Elctroluks vo sprofitno se snosat posledici vo smislana clenovite 163 i 164 od krivicniot zakon R.M. (povreda na avtorsko pravo)

Адреса: ул. Браќа Минџови бр.18,Стара Царина, Битола
 Адреса: ул. Айосџол Ѓусларов 1-а Г.Г.Ц.Бунџаковец Скопје
 Тел/Факс: 047/203-900; 203-330; 070/237-108
 Тел/Факс:02/329 8 130;070/237 198
www.electroluks.com.mk , electrolux@mt.net.mk

Electroluks is registered trademark of Elektroluks companies in Macedonia and other countries



Electrolux Bitola

MARTIRANJE-ZIGOSUVANJE NA MATERIJALI

Ovoј crtez e sopstvenost na Electrolux-Bitola.Bez negovo pismeno odobruvanje istiot nesmee da se prepisuva ,umozuva niti kopira bez soglasnost od Elctroluks vo sproftivo se snosat posledici vo smislana clenovite 163 i 164 od kriticniot zakon R.M. (povreda na avtorsko pravo)

TYPEHOLDERS

An enormous range of typeholders of both standard and special design is available to resolve any marking applications. The linear 1, 2 and 3 line typeholders as well as the circular typeholders all are provided with a tapped hole at the rear to take the required spigot. Because of this feature Automator typeholders can be mounted on any model of impact press or roller marking machine.



A mano



Ø 16



Ø 10



Ø 8



Ø 6

SPIGOTS

The various sizes of spigot serve to attach dies, punches, typeholders, numbering heads, etc to the appropriate marking machine. Hand held spigots are offered when you wish to mark using a hammer.

NUMBERING HEADS

These are ideal for marking of frequently changing numbers or sequentially incrementing serial numbers. A numbering head can be supplied for every character size and shape of component. Special numbering heads with spacer wheels, slots for holding interchangeable steel types etc. can be supplied on request. Available as two models:

- MB2 automatic
- MB14 manual

Heights of standard character sizes



MB 2



MB 14

Адреса: ул. Браќа Минџови бр.18,Стара Царина Битола
 Адреса: ул. Ајосџол Ѓусларов 1-а Г.Г.Ц.Бунџаковец Скопје
 Тел/Факс: 047/203-900; 203-330; 070/237-108
 Тел/Факс:02/329 8 130;070/237 198
www.electroluks.com.mk , electrolux@mt.net.mk

Electroluks is registered trademark of Elektroluks companies in Macedonia and other countries



Electrolux Bitola

MARTIRANJE-ZIGOSUVANJE NA MATERIJALI

SPECIAL APPLICATIONS

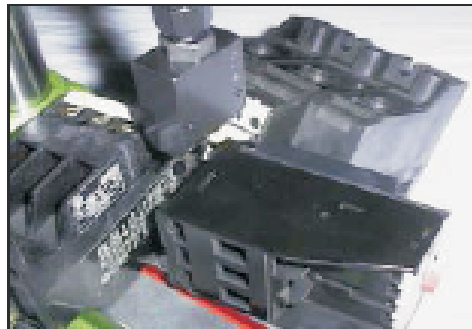
Ovoј crtez e sopstvenost na Electrolux-Bitola.Bez negovo pismeno odobruvanje istot nesmee da se prepisiva ,umozuva niti kopira bez soglasnost od Elctroluks vo sproftivo se snosat posledici vo smislana clenovite 163 i 164 od kriticniot zakon R.M. (povreda na avtorsko pravo)



MARKING OF HOT MELT HEADS

In a marking cycle the following data is marked:

- Manufacturer's name
- Electrical current
- Sequential serial number using the MB2 numbering head

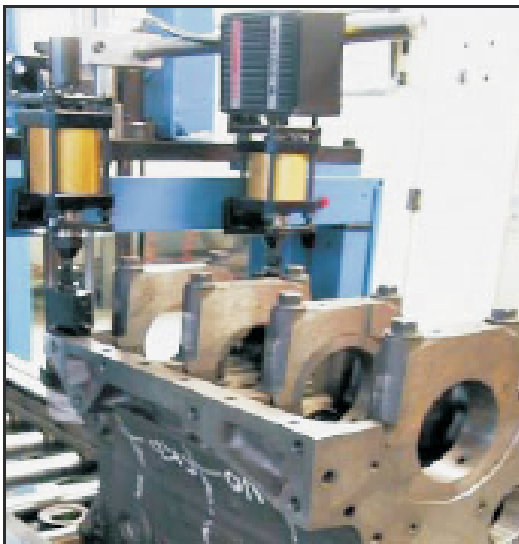


MARKING OF ELECTRO MECHANICAL COMPONENTS

Marking of electro-mechanical components with information such as electrical current, serial number, batch number. All in one operation, which means marking time of a fraction of a second and minimum costs.

SPECIAL APPLICATION WITH IMPACT UNITS

Special equipment for the marking of hexagonal valve bodies consisting of 6 units MB21VP with the possibility of marking from 2 to 6 sides simultaneously.



MARKING OF ENGINE BLOCKS

Two compact impact units in an automatic production line mark the two sides of an engine block simultaneously. This is required for subsequent assembly purposes.



MARKING OF WOODEN PROFILE

The individual components for doors and windows are marked to simplify later assembly. The batch number and order number are marked.

Адреса: ул. Браќа Минџови бр.18, Стара Царина Битола
 Адреса: ул. Айстојл Ѓусларов 1-а Г.Ц. Буњаковец Скопје
 Тел/Факс: 047/203-900; 203-330; 070/237-108
 Тел/Факс: 02/329 8 130; 070/237 198
www.electroluks.com.mk , electrolux@mt.net.mk

Electroluks is registered trademark of Elektroluks companies in Macedonia and other countries