



F A R N A M
CUSTOM PRODUCTS

Crossflow Blower Heater (CB Series)

a higher degree of performance

Tel: 828.684.3766

Fax: 828.684.3768

Crossflow Blower Heater



The Crossflow Blower Heater (CB Series) was developed for maximum design flexibility. These air heaters utilize multi-purpose mounting brackets to attach directly to the exhaust of a crossflow blower without the need for additional accessories. Or, use the extra mounting holes and the heater can function as a standalone duct heater.

Single wattage, dual wattage, or dual voltage combinations are available. Overtemperature protection can be provided with an integral thermal fuse and hi-limit thermostat.

These crossflow blower heaters are tailored to meet your specific heating requirements. Size, wattage, and voltage are matched to your specifications for optimal system performance.

We can provide heater/blower packages. See the part number and ordering information for available stock blowers.





Wattage:

- 250-1500 (5.55" size)
- 250-2250 (7.91" size)
- 250-3500 (10.32" size)
- 250-4500 (12.72" size)

Voltage:

120		240
1000 watts max.	5.55" size	1500 watts max.
1500 watts max.	7.91" size	2250 watts max.
2000 watts max.	10.32" size	3500 watts max.
2500 watts max.	12.72" size	4500 watts max.

Overtemperature Cutout

(autoreset thermostat)

X-Thermostat is not required

A-	65°C	(149°F)
B-	70°C	(158°F)
C-	80°C	(176°F)
D-	85°C	(185°F)
E-	90°C	(194°F)
F-	100°C	(212°F)
G-	120°C	(248°F)
H-	130°C	(266°F)

If a thermostat is specified, it must be used in conjunction with a thermal fuse.

Thermal Cutoff (Thermal Fuse)

X- Fuse is not required

D-	93°C	(199°F)
F-	104°C	(219°F)
H-	117°C	(243°F)
K-	128°C	(262°F)
L-	152°C	(306°F)
N-	192°C	(378°F)
R-	229°C	(444°F)

Fuse setpoint is a minimum 25°C above thermostat setpoint or routine temperature spike.

Heater Size

- 5-5.55" long
- 7-7.91" long
- 10-10.32" long
- 12-12.72" long

Termination

M - Standard. Stripped leads. Contact factory for options.

Lead Length

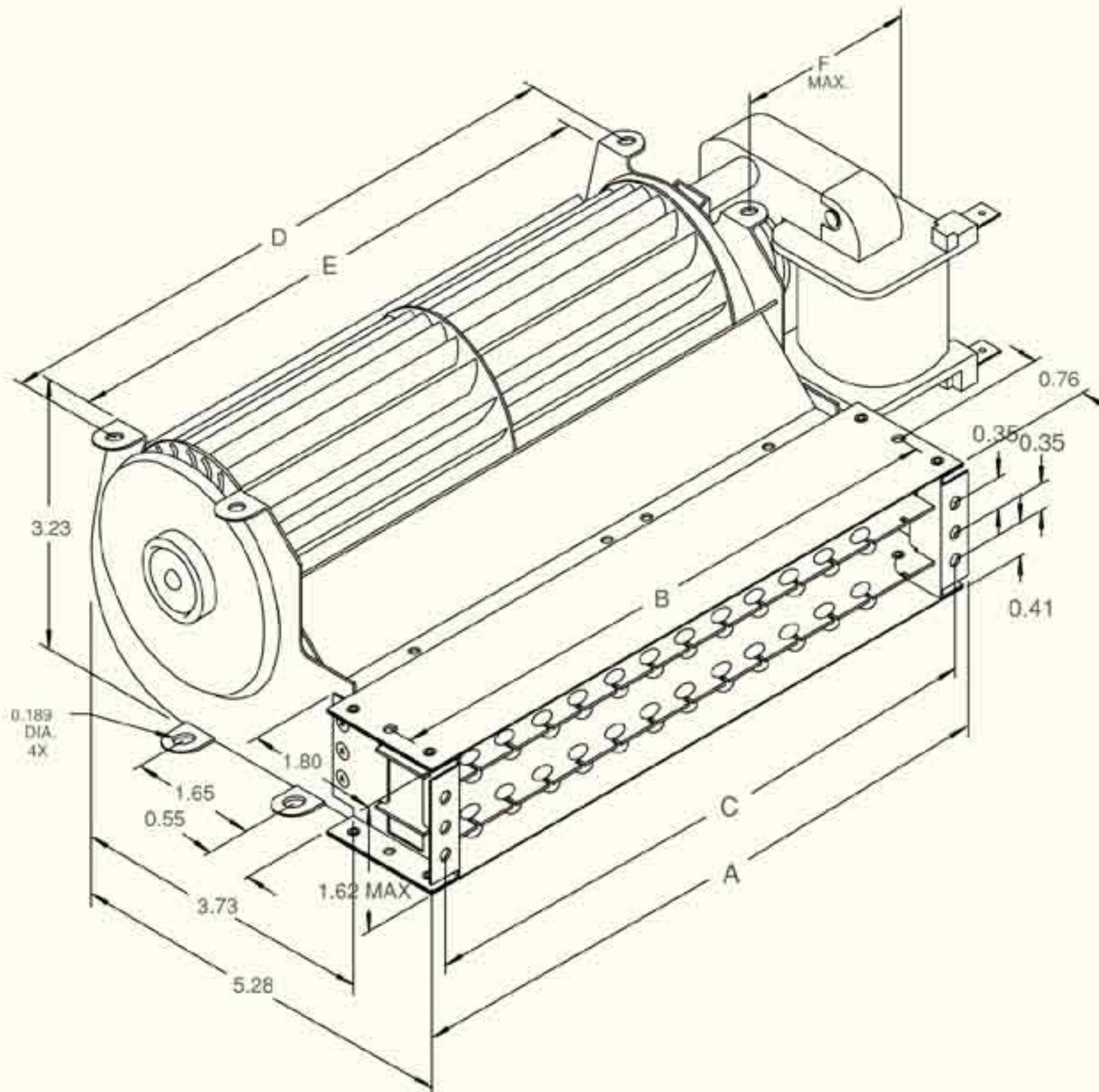
Specify length required. Standard lead length is 6". Ex. 12=12" long leads.

Mounting Brackets

D - Standard

Blower P/N

See chart for 3-digit part number.



HEATER SIZE	A HEATER WIDTH	B HEATER MOUNTING HOLES 0.100 DIA. 4X	C HEATER MOUNTING HOLES 0.137 DIA. 6X	D BLOWER MOUNTING HOLES 0.125 DIA. 4X	E BLOWER OPENING	F BLOWER MOTOR	G BLOWER CFM's	H BLOWER PART NUMBER
5"	5.55"	5.20"	5.30"	5.21"	4.76"	2.95"	75	120v ONLY P/N 970
7"	7.91"	7.56"	7.66"	7.57"	7.12"	2.95"	100	120v - P/N 972 240v - P/N 974
10"	10.32"	9.97"	10.07"	9.98"	9.53"	2.95"	125	120v - P/N 976 240v - P/N 978
12"	12.72"	12.37"	12.47"	12.38"	11.93"	2.95"	150	120v - P/N 982

PRODUCT FEATURES / ORDERING INFORMATION

