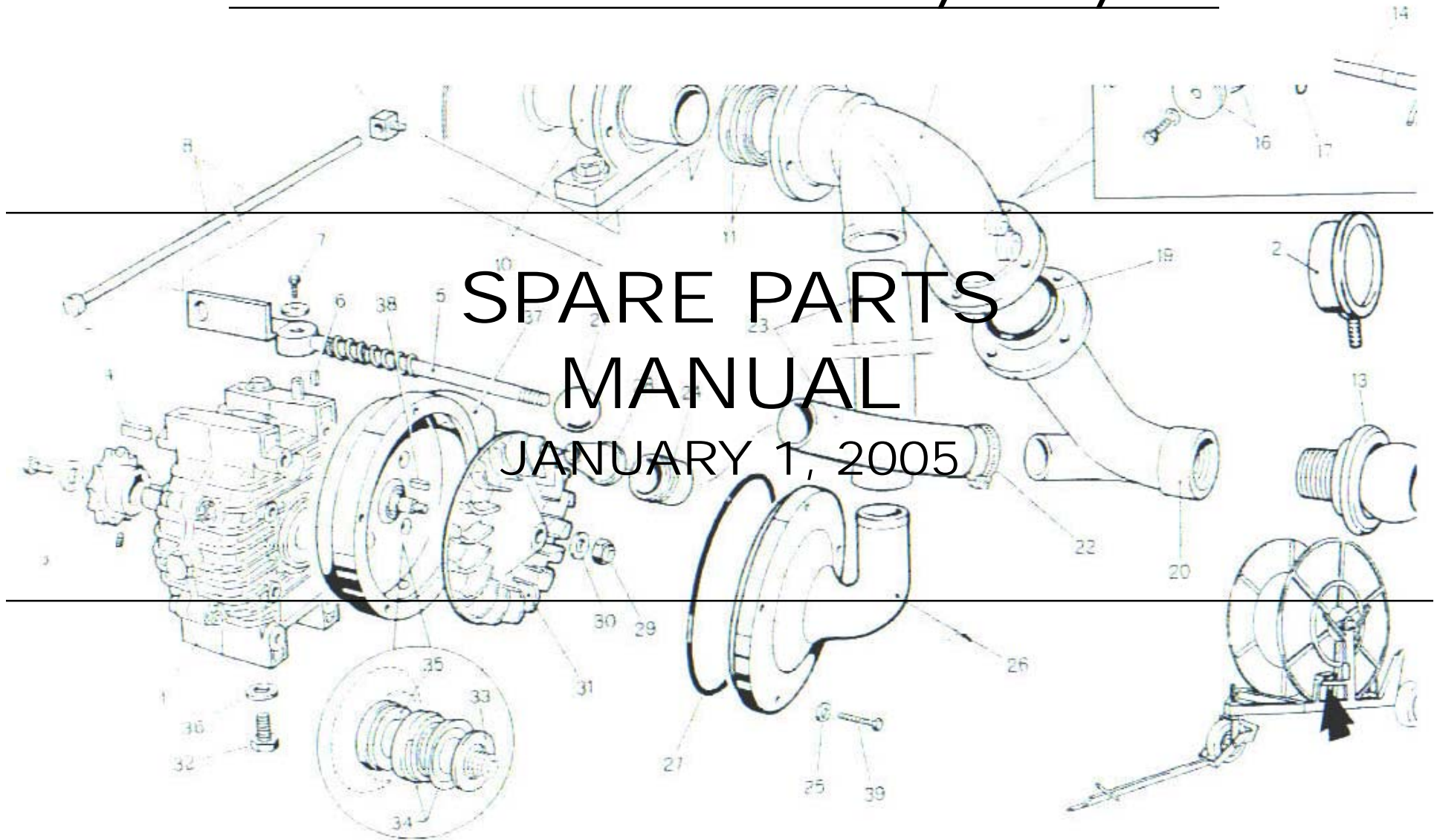
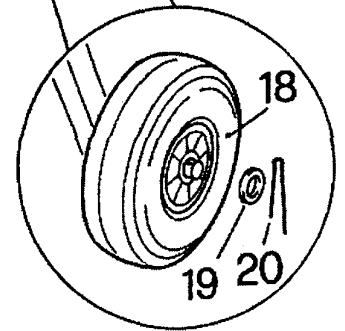
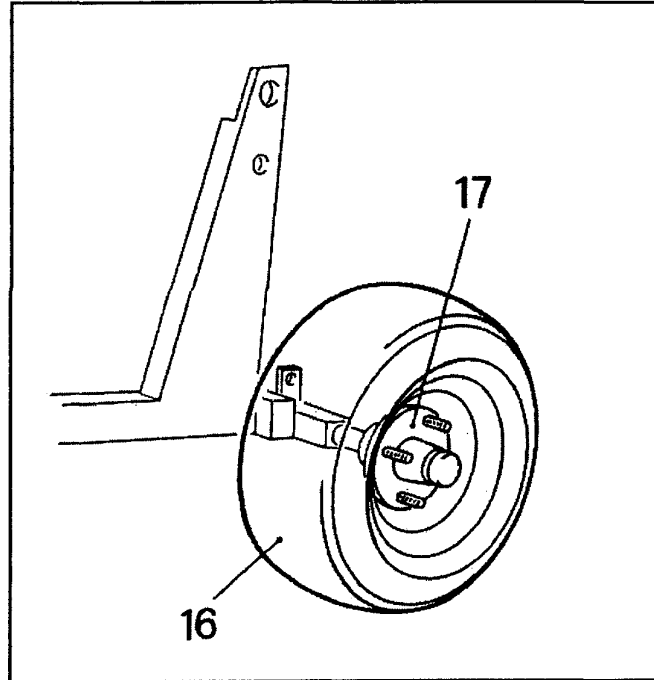
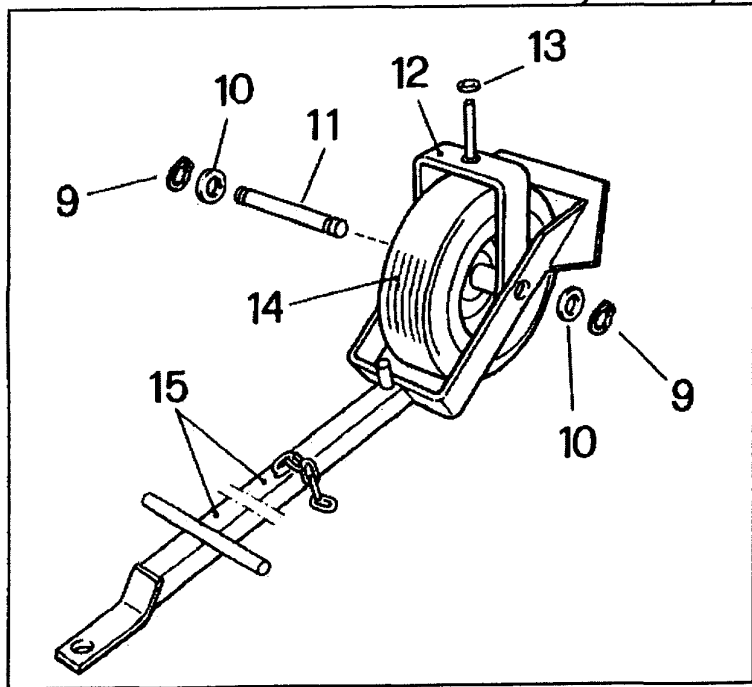
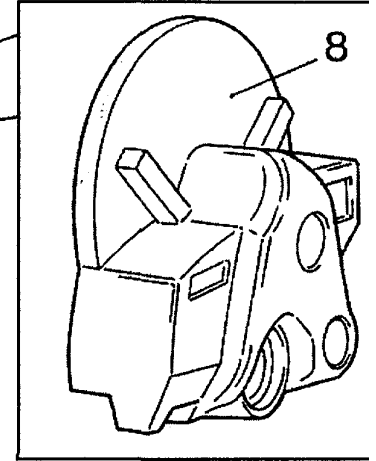
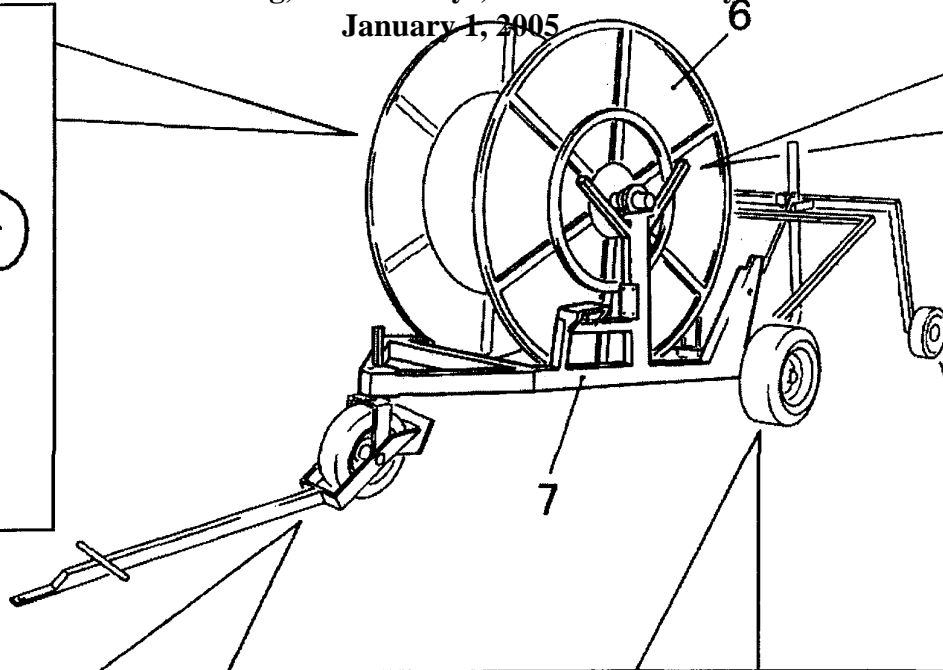
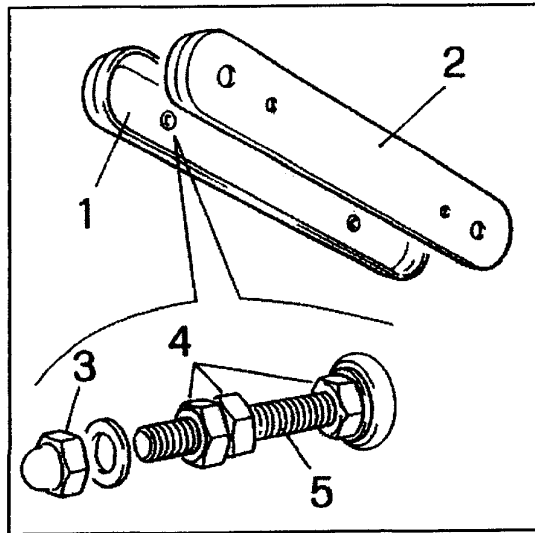


MICRO RAIN 50, 58, & 63

SPARE PARTS MANUAL JANUARY 1, 2005



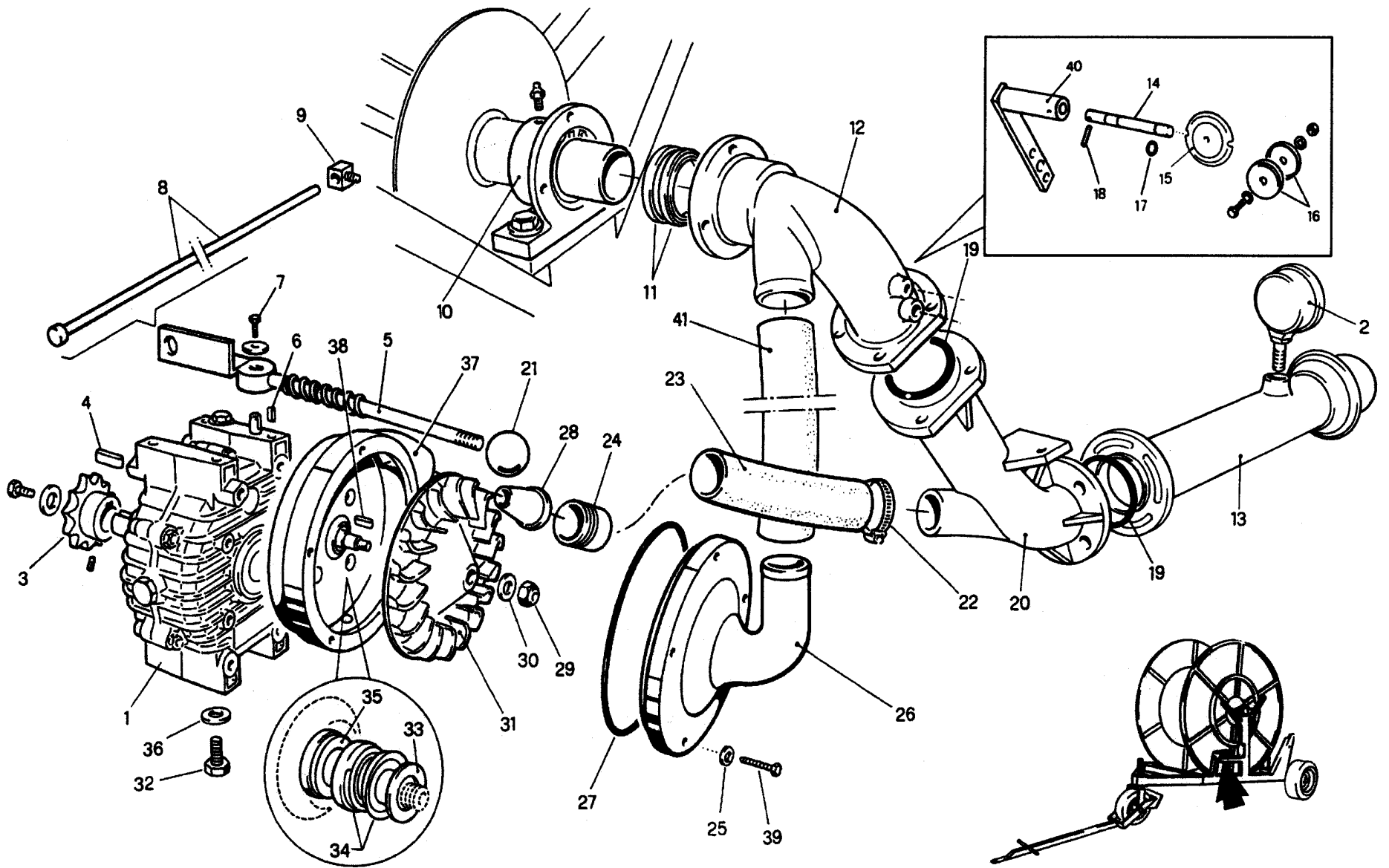
Micro Rain 50,58,63
Shielding, Wheel Assys, Front Hitch Assy.
January 1, 2005



Micro Rain 50,58,63
Shielding, Wheel Assys, Front Hitch Assy.
January 1, 2005

<u>Ref.</u>	<u>Part #</u>	<u>Description</u>	<u>Qty.</u>
1	MR-88052112/8	Outer Chain Cover	1
2	MR-88052113/8	Inner Chain Cover	1
3	MR-11126	Cap Nut	1
4	MR-11110	Nut	3
5	MR-10290	Bolt	1
6	MR-20052100	Complete Drum	1
7	MR-15052250	Chassis-MR 50,58,63	1
8	MR-70052130/8	Red Turbin Cover-MR 50,58,63	1
9	MR-11603	Snap Ring	2
10	MR-11226	Washer	2
11	MR-15052110Z	Pin, Front Wheel Assy.	1
12	MR-15052150Z	Front Fork Support	1
13	MR-11214	Washer	1
14	MR-00405	Front Wheel Assy.	1
15	MR-15052100Z	Front Tongue Assy.	1
16	MR-00381	Rear Wheel Assy.	2
17	MR-01804	Rear Axle & Hub Assy.	2
18	MR-00357	Guncart Wheel Assy.	2
19	MR-11220	Washer	2
20	MR-12503	Split Pin	2
*Not Shown	MR-60300	Safety Decal Kit	1

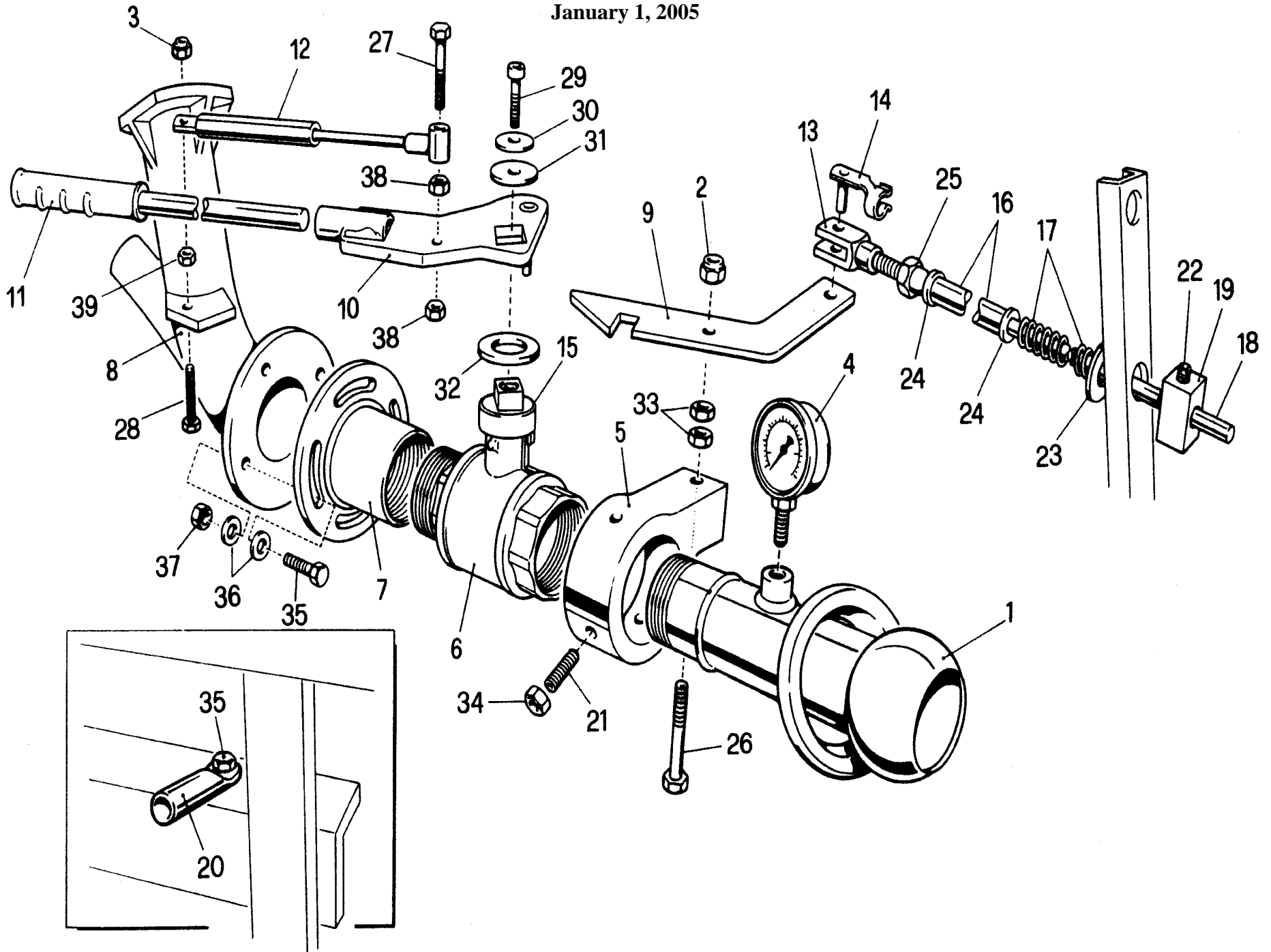
Micro Rain 50,58,63
Turbine & Inlet Plumbing
January 1, 2005



**Micro Rain 50,58,63
Turbine & Inlet Plumbing
January 1, 2005**

<u>Ref.</u>	<u>Part #</u>	<u>Description</u>	<u>Qty.</u>
1	MR-02107/2	Gearbox	1
2	MR-0035K	Pressure Gauge	1
3	MR-41580	Sprocket-11 Tooth	1
4	MR-11501	Key	1
5	MR-15040070Z	Gearbox Shift Lever	1
6	MR-11508	Key	1
7	MR-10108	Screw	1
8	MR-99050120Z	Disengage Rod	1
9	MR-99050130Z	Adjustable Stop, Shut off Rod	1
10	MR-19050101	Cast Iron Drum Mount	1
11	MR-31023	Drum Inlet Seal	2
12	MR-50042100	Drum Inlet Elbow	1
13	MR-51042150Z	Inlet Fitting-No Shutoff	1
14	MR-99008257	Turbin Diverter Shaft	1
15	MR-99008321	Turbin Diverter Disk	1
16	MR-05340	Diverter Disk Cover	2
17	MR-30056	O-Ring	1
18	MR-15906	Roll Pin	1
19	MR-30088	O-Ring	2
20	MR-50042120	Bottom Inlet Elbow-2003	1
21	MR-12601	Round Knob	1
22	MR-14336	Hose Clamp	4
23	MR-30815	Turbin Inlet Hose	2
24	MR-51042200Z	Turbin Inlet Nipple w/Barb	1
25	MR-11208	Washer	1
26	MR-99008242	Turbin Cover	1
27	MR-30069	O-Ring	1
28	MR-93314	Turbin Nozzle #14-MR50,58	1
	MR-93316	Turbin Nozzle #16-MR63	1
29	MR-11110	Nut	1
30	MR-11210	Turbin Shaft Washer	1
31	MR-99008233	Turbin Impeller	1
32	MR-10127	Bolt	4
33	MR-11217	Shim	1
34	MR-01007	Seal Rotary	1
35	MR-01107	Seal Seat	1
36	MR-11211	Washer	4
37	MR-99008241	Turbin Housing	1
38	MR-11508	Key	1
39	MR-10194	Bolt	5
40	MR-99052110Z	Diverter Shaft Lever	1

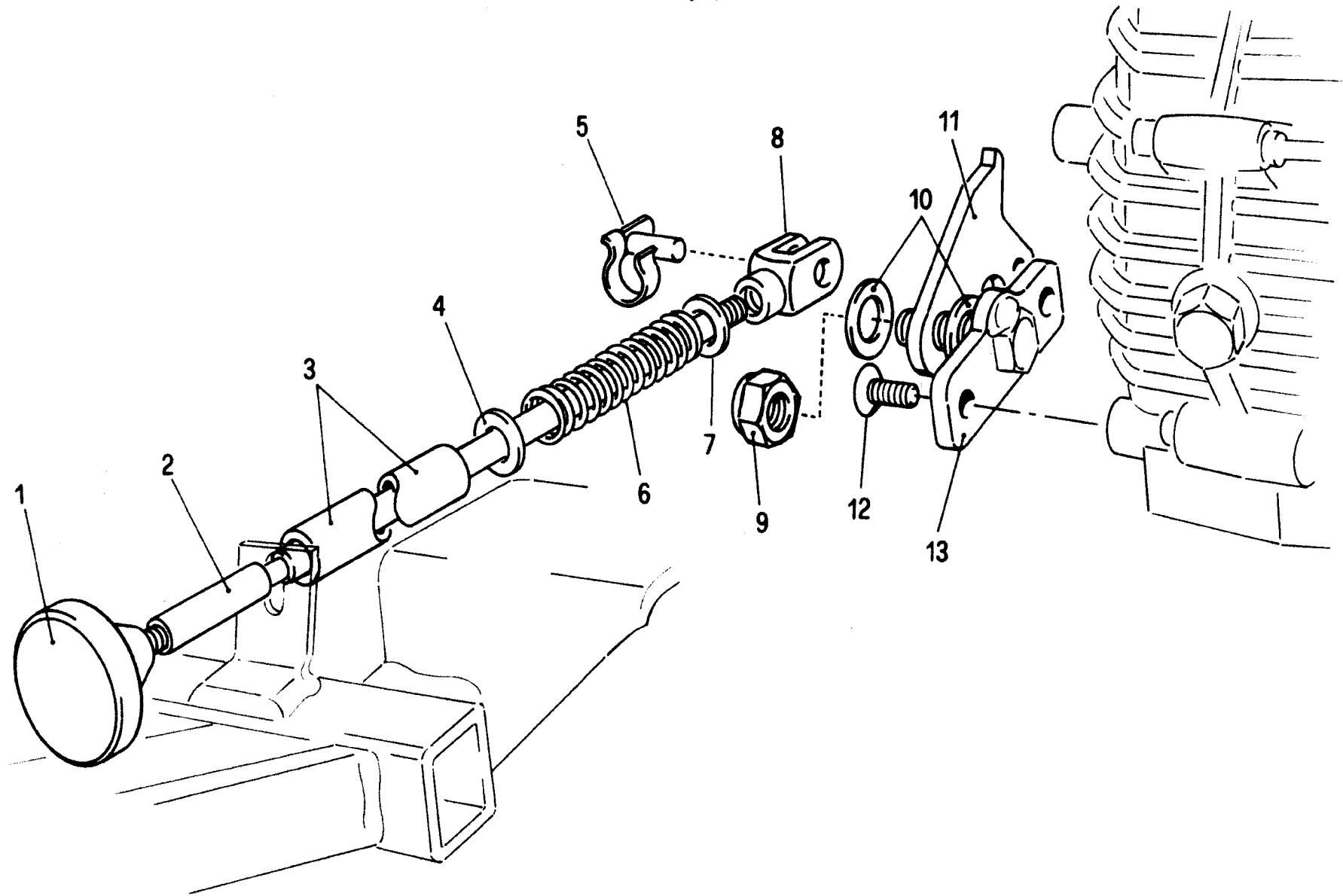
Micro Rain 50,58,63
Shutoff Valve, Inlet Assy.
January 1, 2005



**Micro Rain 50,58,63
Shutoff Valve, Inlet Assy.
January 1, 2005**

<u>Ref.</u>	<u>Part #</u>	<u>Description</u>	<u>Qty</u>
1	MR-12000303Z	Inlet Fitting	1
2	MR-14209	Nut-Locking	1
3	MR-14212	Nut-Locking	1
4	MR-01701	Pressure Gauge	1
5	MR-81170125	Lock Arm Bracket	1
6	MR-01609	Ball Valve	1
7	MR-12000302Z	Ball Valve Adapter	1
8	MR-50042120	Lower Inlet Elbow	1
9	MR-83400050Z	Lock Arm	1
10	MR-83400010Z	Ball Valve Lever	1
11	MR-83400012	Ball Valve Engage Handle	1
12	MR-05349	Gas Cylinder	1
13	MR-13506	Yoke	1
14	MR-13007	Pin Clip	1
15	MR-01632	Ball Valve Stem	1
16	MR-15053204	Spacer	1
17	MR-15043203Z	Spring	1
18	MR-15053207Z	Linkage Rod	1
19	MR-99050130Z	Adjustable stop, shutoff rod	1
20	MR-51042108Z	Handle Bracket	1
21	MR-11413	Grub Screw	3
22	MR-11402	Grub Screw	1
23	MR-11211	Washer	1
24	MR-11210	Washer	2
25	MR-11110	Nut	1
26	MR-10065	Bolt	1
27	MR-10118	Bolt	1
28	MR-10118	Bolt	1
29	MR-14119	Bolt	1
30	MR-11206	Washer	1
31	MR-11238	Washer	1
32	MR-11224	Washer	1
33	MR-11110	Nut	2
34	MR-11110	Nut	1
35	MR-10195	Bolt	5
36	MR-11208	Washer	8
37	MR-11108	Nut	4
38	MR-11108	Nut	2
39	MR-11108	Nut	1

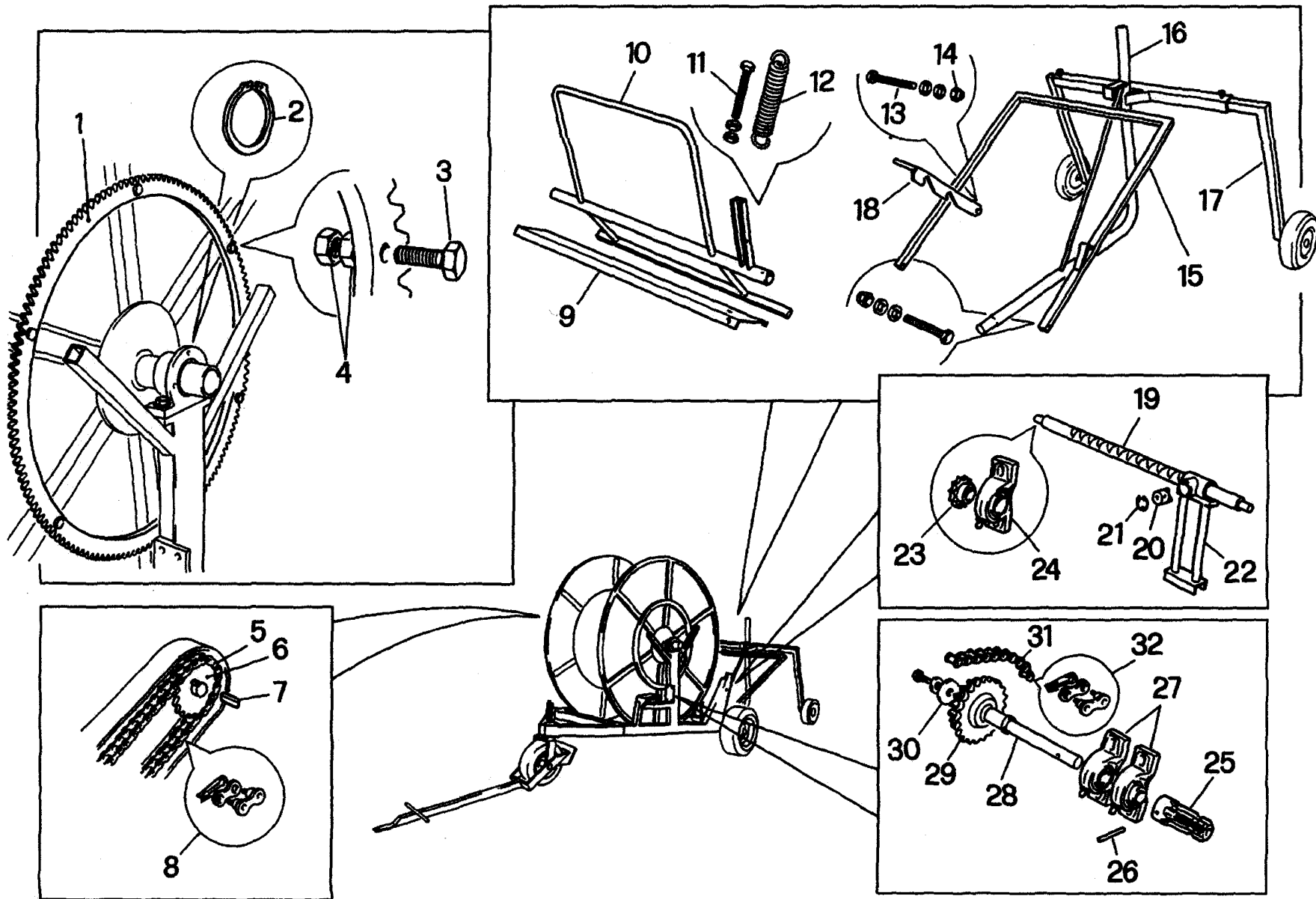
Micro Rain 50,58,63
Anti-Reverse Assembly
January 1, 2005



Micro Rain 50,58,63
Anti-Reverse Assembly
January 1, 2005

<u>Ref.</u>	<u>Part #</u>	<u>Description</u>	<u>Qty</u>
1	MR-00869	Knob	1
2	MR-15053206Z	Anti-Reverse Rod	1
3	MR-15053204	Spacer	1
4	MR-11210	Washer	1
5	MR-13007	Clip	1
6	MR-15043203Z	Spring	1
7	MR-11210	Washer	1
8	MR-13506	Yoke	1
9	MR-14213	Nut	1
10	MR-11214	Washer	4
11	MR-15043201Z	Anti-Reverse Pawl	1
12	MR-10442	Screw	2
13	MR-15042230Z	Anti-Reverse Bracket	1

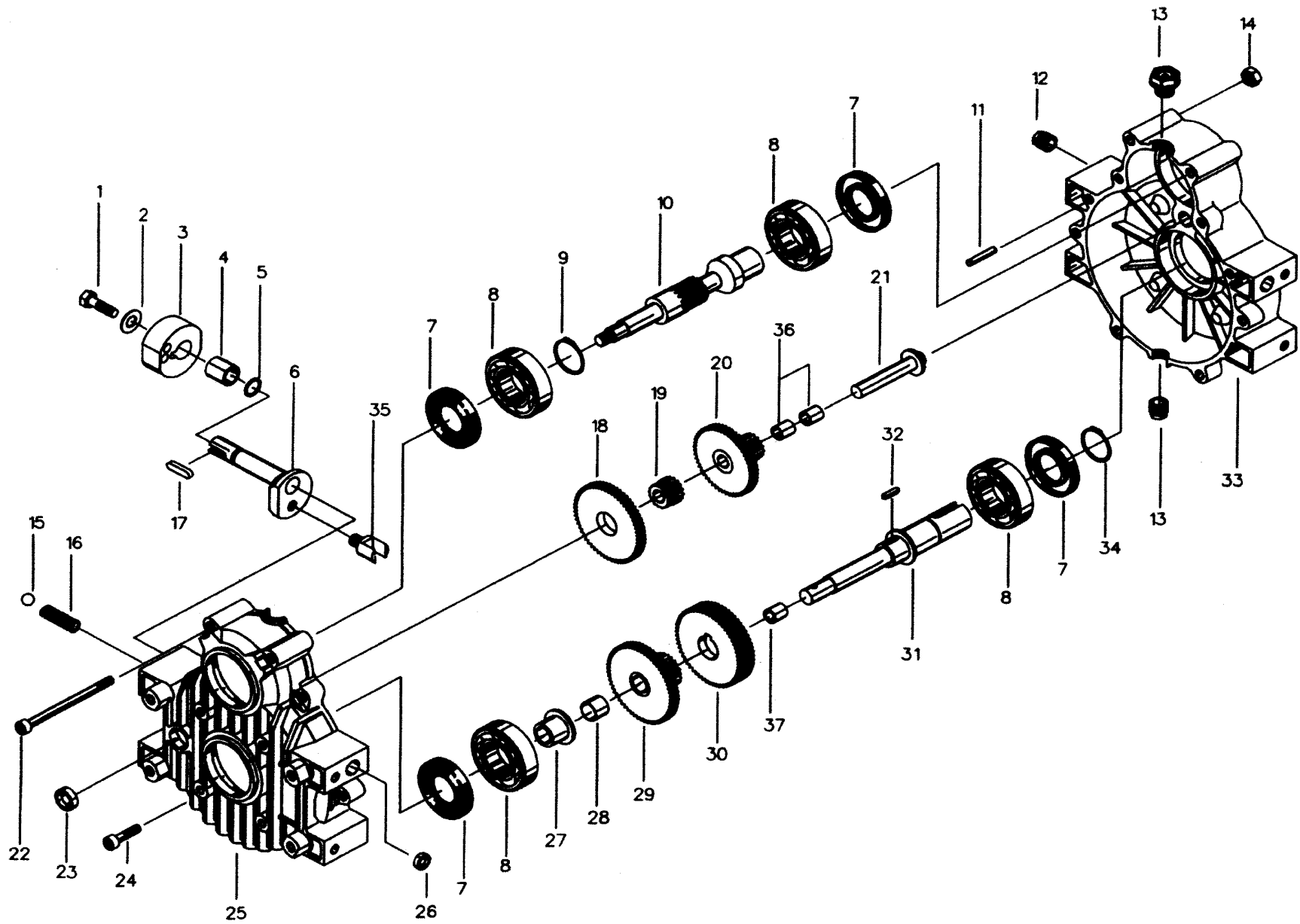
Micro Rain 50,58,63
Drum Gear, Levelwind, & Shut Off Bar Assys.
January 1, 2005



Micro Rain 50,58,63
Drum Gear, Levelwind, & Shut Off Bar Assys.
January 1, 2005

<u>Ref.</u>	<u>Part #</u>	<u>Description</u>	<u>Qty.</u>
1	MR-20042110	Large Drum Gear	1
2	MR-11618	Snap Ring	1
3	MR-10136	Bolt	6
4	MR-11110	Nut	18
5	MR-40404	Chain	1.8mt.
6	MR-41436	Sprocket-17 Tooth, MR50	1
	MR-41437	Sprocket-18 Tooth, MR58	1
	MR-41587	Sprocket-19 Tooth, MR63	1
7	MR-11503	Key	2
8	MR-40704	Master Link	1
9	MR-31052101/1Z	Back Protection Plate	1
10	MR-26052100	Rear Shut Off Bar	1
11	MR-10123	Bolt	1
12	MR-13701Z	Spring	1
13	MR-10134	Bolt	1
14	MR-14209	Nut	1
15	MR-35052100Z	Guncart Lift Bar	1
16	MR-60052100Z	Guncart Body-MR50	1
	MR-60054100Z	Guncart Body-MR58	1
	MR-60063100Z	Guncart Body-MR63	1
17	MR-61052100Z	Guncart Leg	2
18	MR-35052110Z	Lift Bar Locking Handle	1
19	MR-99040239	Levelwind Bar	1
20	MR-99100020	Scroll Bar Knife	1
21	MR-11740	Snap Ring	1
22	MR-45042100	Levelwind Bracket-MR 50	1
	MR-45063100	Levelwind Bracket-MR 58,63	1
23	MR-41456	Sprocket-13 Tooth,MR50	1
	MR-41413	Sprocket-11 Tooth,MR58	1
	MR-41413	Sprocket-11 Tooth,MR63	1
24	MR-41804	Pillow Block Bearing	2
25	MR-GI1042Z	Splined PTO Shaft-540	1
26	MR-15907	Roll Pin	1
27	MR-41804	Pillow Block Bearing	2
28	MR-15042003	Drive Gear Shaft	1
29	MR-15042074Z -30 tooth	Drive Gear	1
30	MR-11231	Washer	1
31	MR-40402	Chain	.4mt.
32	MR-40701	Master Link	1
 NOT SHOWN			
	MR-60052000	Complete Guncart-MR 50	1
	MR-60054000	Complete Guncart-MR 58	1
	MR-60063000	Complete Guncart-MR 63	1

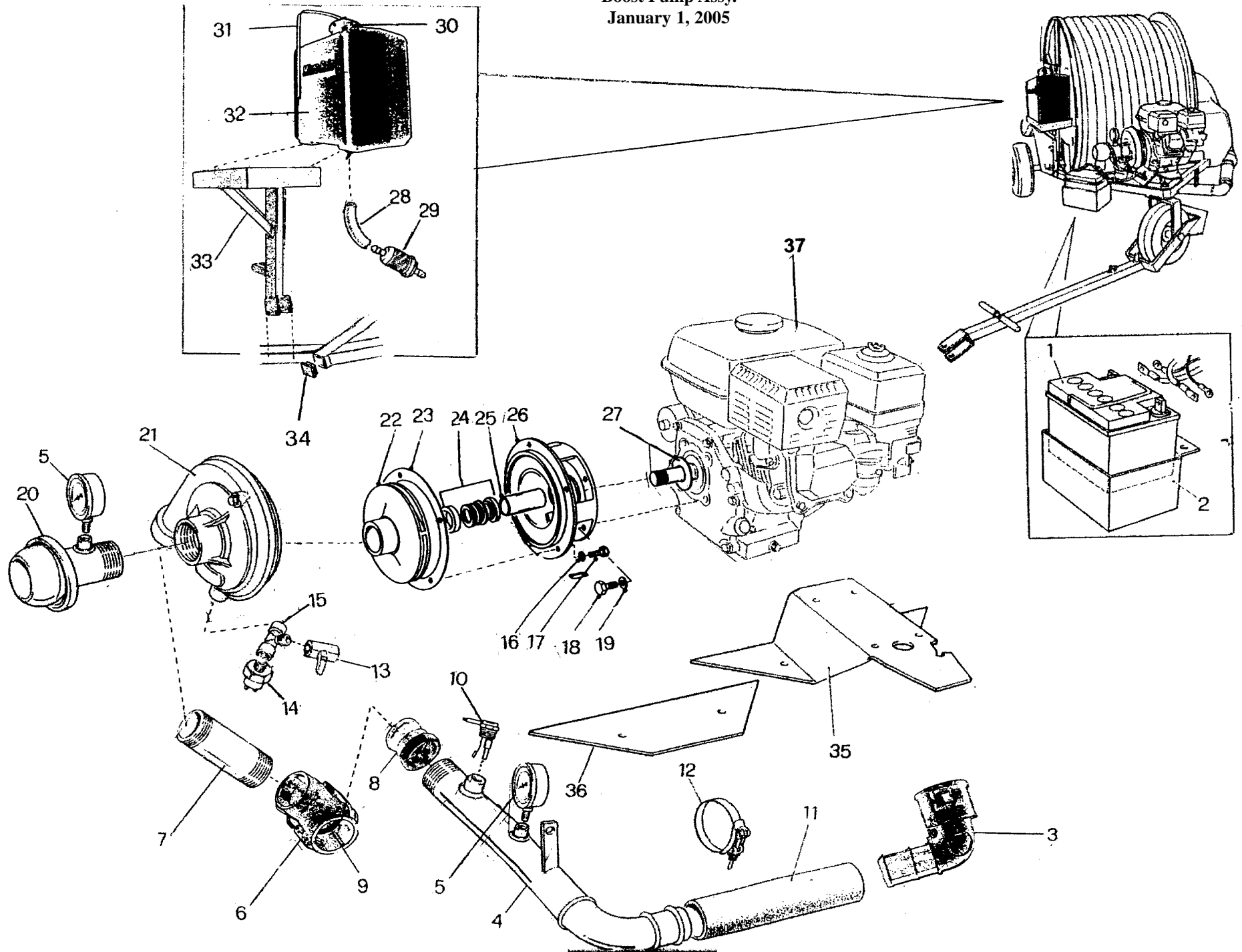
Micro Rain 50,58,63
Gearbox Assy.
January 1, 2005



Micro Rain 50,58,63
Gearbox Assy.
January 1, 2005

<u>Ref.</u>	<u>Part #</u>	<u>Description</u>	<u>Qty.</u>
1	MR-10108	Bolt	1
2	MR-11238	Washer	1
3	MR-15041064Z	Shifting Block	1
5	MR-GI560	O-Ring	1
6	MR-CAR3P10	Shifting Pin	1
7	MR-CAR3P12	Oil Seal	4
8	MR-40003	Bearing	4
10	MR-CAR3P02	Input Shaft	1
12	MR-13104	Plug	1
13	MR-13111	Top Plug	2
14	MR-11108	Nut	8
15	MR-GI1068	Ball 5/16"	1
16	MR-GI1086	Spring	1
17	MR-11508	Key	1
18	MR-CAR3P03	Engaging Gear	1
19	MR-CAR3P04	Small Gear	1
20	MR-CAR3P08	Gear	1
21	MR-CAR3P07	Shaft	1
22	MR-10433	Housing Bolt	2
24	MR-10434	Bolt	6
25	MR-CAR3P13	Input Side Housing	1
27	MR-CAR3P14	Bushing	1
28	MR-CAR3P15	Spacer	1
29	MR-CAR3P05	Gear	1
30	MR-CAR3P09	Gear	1
31	MR-CAR3P01	Output Shaft	1
32	MR-11519	Key	1
33	MR-CAR3P11	Output Side Housing	1
34	MR-11603	Snap Ring	1
35	MR-CAR3P10-B	Rotating Fork	1
36	MR-CAR3P17	Bushing	2
37	MR-CAR3P18	Bushing	1

Micro Rain 50,58,63
Boost Pump Assy.
January 1, 2005



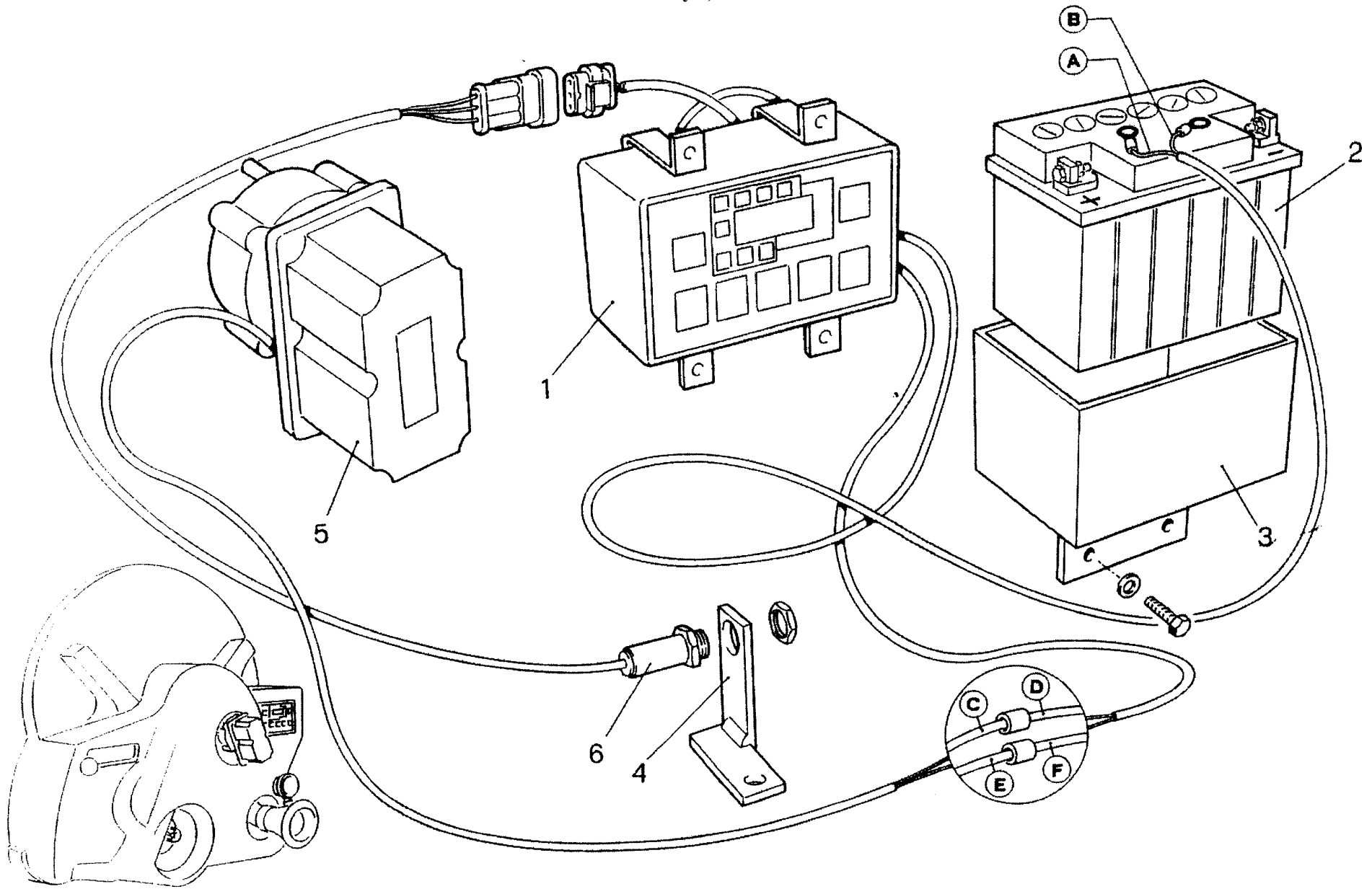
Micro Rain 50,58,63

Boost Pump Assy.

January 1, 2005

<u>Ref.</u>	<u>Part #</u>	<u>Description</u>	<u>Qty.</u>	
1	MR-0041K	Battery	1	
2	MR-0042K	Battery Box	1	
3	MR-0001K	2" x 90 Cam-Lock	1	
4	MR-0043K	2" Cross-over Pipe	1	
5	MR-0035K	Pressure Gauge	1	
6	MR-0022K	2" x 90 Cam-Lock w/2" NPT	1	
7	MR-2X9GN	2" x 9" Galv. Nipple	1	
8	MR-AL-A200	2" Male Cam-Lock	1	
9	MR-BUNA200	2" Buna Gasket	2	
10	MR-0006K	Flow Switch	1	
11	MR-BLK200	2" Pressure Hose	1	
12	MR-MIK55-59	2" Clamp	4	
13	MR-0008K	Drain Valve	1	
14	MR-0009K	Thermal Relief Valve	1	
15	MR-0010K	1/4" Brass Tee	1	
16	MR-176230	3/8" Spring Washer	4	
17	MR-125797	3/8" x 1- Bolt	4	
18	MR-225971	5/16" x 7/8"-Bolt	4	
19	MR-176220	5/16" Spring Washer	8	
20	MR-99022401Z	Male inlet Fitting	1	
21	MR-437837	Pump Housing-KID Rotation	1	
22	MR-437798	Impeller-Pull Start	1	
	MR-437829	Impeller-Electric Start	1	
23	MR-198996	Housing Gasket	1	
24	MR-240359	Mechanical Seal -Pull Start	1	
	MR-240070	Mechanical Seal- Electric Start	1	
25	MR-400129	Shaft Sleeve-Pull Start	1	
	MR-400129	Shaft Sleeve-Electric Start	1	
	*Not Shown	MR-400197	Impeller Washer	1
	*Not Shown	MR-432195	Impeller Key	1
26	MR-437795	Adapter Housing	1	
27	MR-194140	Flinger	1	
28	MR-0036K	Fuel Line	1	
29	MR-0037K	Fuel Filter	1	
30	MR-0011K	Fuel Tank Cap	1	
31	MR-0012K	Fuel Tank Straps	2	
32	MR-0013K	Fuel Tank-7 Gallon	1	
33	MR-0024K	Fuel Tank Stand-50,58,63	1	
34	MR-30516	Nylon End Plug	1	
35	MR-0044K	Engine Bracket-9HP	1	
36	MR-0046K	Bottom Strap	1	
37	MR-0028K	Engine-Honda 9HP-Pull Start	1	
	MR-0029K	Engine-Honda 9HP-Electric Start	1	

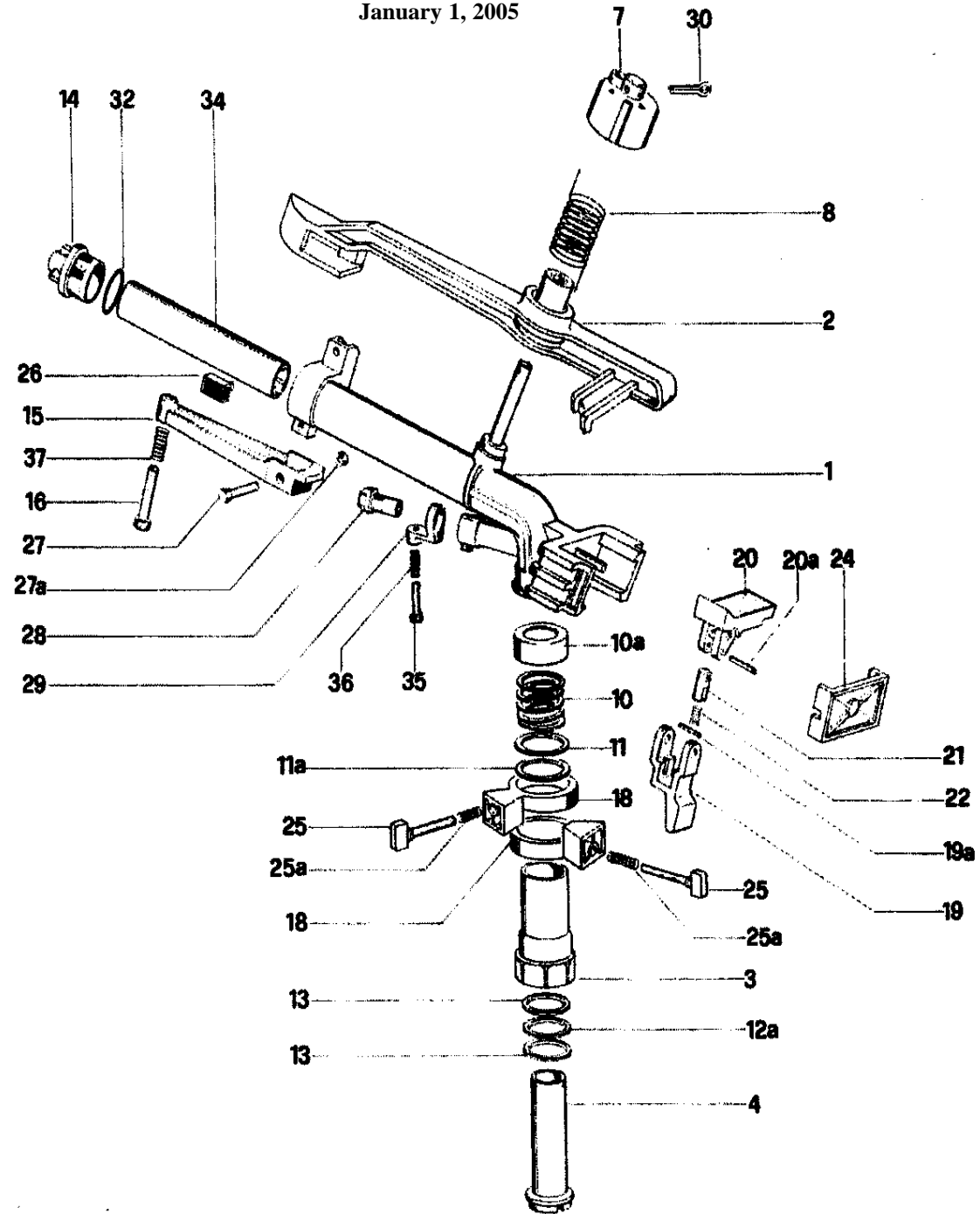
Micro Rain 50,58,63
Computer Assy.
January 1, 2005



Micro Rain 50,58,63
Computer Assy.
January 1, 2005

<u>Ref.</u>	<u>Part #</u>	<u>Description</u>	<u>Qty.</u>
1	MR-05550	Computer-Golden Rain	1
2	MR-32718	Battery	1
3	MR-35000280	Battery Box	1
4	MR-35420710Z	Computer Sensor Support	1
5	MR-05306	Computer Motor Assy.	1
6	MR-05601	Sensor-Golden Rain Computer	1
A	Brown		
B	Blue		
C	Blue		
D	Brown		
E	Brown		
F	Blue		

Micro Rain
Hidra Sprinkler Assy.
January 1, 2005

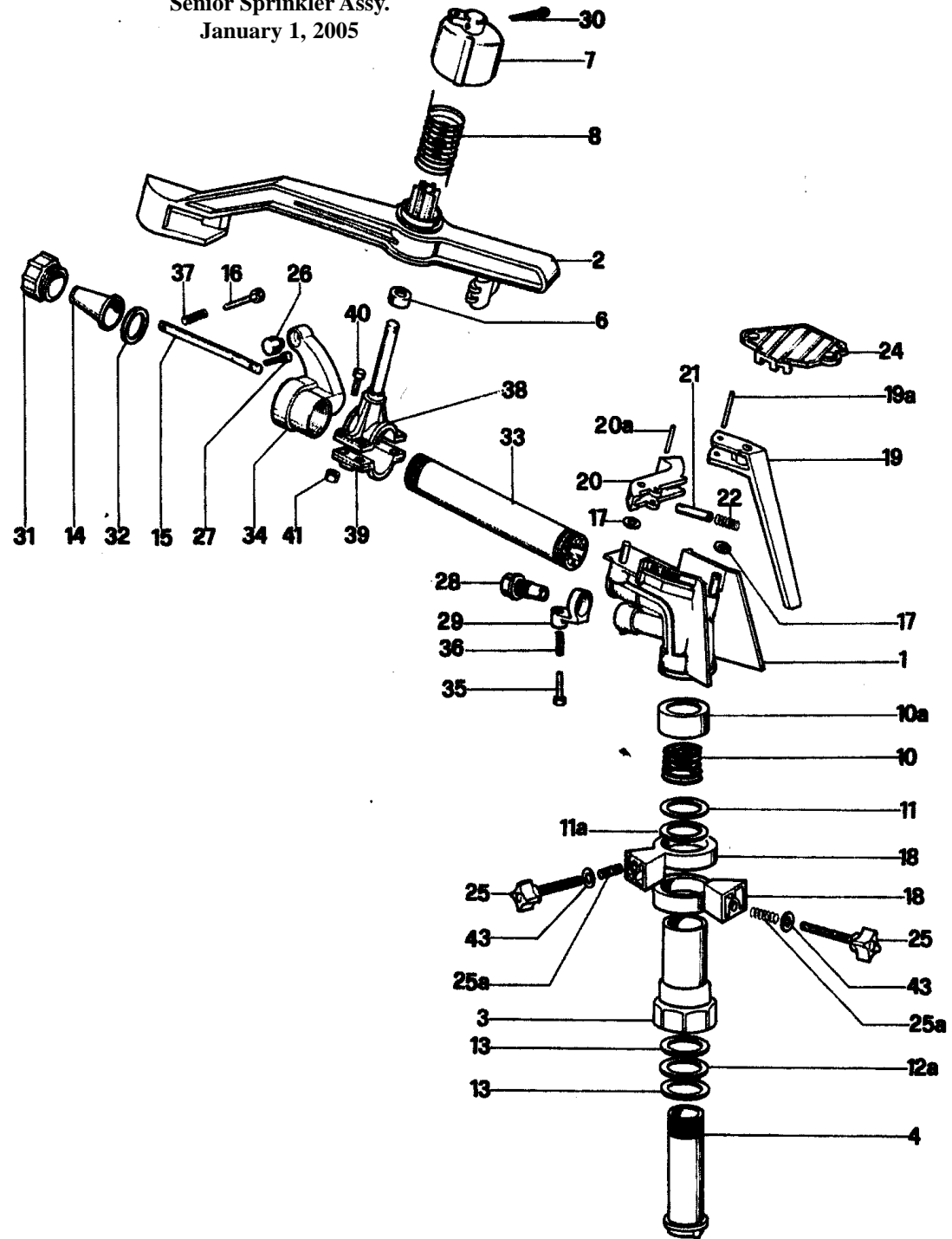


**Micro Rain
Hidra Sprinkler Assy.
January 1, 2005**

<u>Ref.</u>	<u>Part #</u>	<u>Description</u>	<u>Qty.</u>
1	S-301094	Sprinkler Body-Hidra	1
2	S-301095	Drive Arm	1
3	S-301092	Brass Outer Base	1
4	S-301097	Brass Inner Base	1
7	S-30972	Top Spring Cover	1
8	S-30971	Drive Arm Tension Spring	1
10	S-301098	Lower Bearing Assy. Spring	1
10a	S-301099	Spring Housing	1
11	S-301088	Top Seal Ring	1
11a	S-301089	Teflon Washer	1
12a	S-301090	Teflon Washer	1
13	S-301088	Bottom Seal Washer	2
14	S-3010100	Nozzle	3
15	S-30358	Diffuser Arm	1
16	S-30359	Diffuser Screw	1
18	S-3010101	Adjustable Stop	2
19	S-3010102	Reverse Arm	1
19a	S-30363	Pin	1
20	S-3010103	Reverse Lever	1
20a	S-3010107	Pin	1
21	S-30816	Reverse Spring Housing	1
22	S-30817	Reverse Spring	1
24	S-30819	Nylon Cap	1
25	S-30820	Adjustable Stop Screw	2
25a	S-30821	Spring	2
26	S-3010194	Bumper	1
27	S-301013	Screw	1
27a	S-30726	Nut	1
28	S-30280	Diffuser Nozzle	1
29	S-30339	Lower Diffuser Screw Holder	1
30	S-30371	Split Pin	1
34	S-3010106	Barrel Vane	1
35	S-30336	Lower Diffuser Screw	1
36	S-30337	Lower Diffuser Spring	1
37	S-30374	Diffuser Spring	1

***Seal washers may be ordered as a kit-Part #S-10252K**

Micro Rain
Senior Sprinkler Assy.
January 1, 2005



**Micro Rain
Senior Sprinkler Assy.
January 1, 2005**

<u>Ref.</u>	<u>Part #</u>	<u>Description</u>	<u>Qty.</u>
1	S-3010185	Sprinkler Body-Senior	1
2	S-3010186	Drive Arm	1
3	S-30793	Brass Outer Base	1
4	S-20116	Brass Inner Base	1
6	S-20195	Bushing	1
7	S-3010188	Top Spring Cover	1
8	S-3010189	Drive Arm Tension Spring	1
10	S-3010274	Lower Bearing Assy. Spring	1
10a	S-30803	Spring Housing	1
11	S-30804	Seal Ring	1
11a	S-30805	Teflon Washer	1
12a	S-30805	Teflon Washer	1
13	S-30804	Seal Ring	1
14	S-30566	Nozzle	3
15	S-20180	Diffuser Arm	1
16	S-30359	Diffuser Screw	1
17	S-301010	Washer	1
18	S-30811	Adjustable Stop	2
19	S-3010190	Reverse Arm	1
19a	S-30992	Pin	1
20	S-3010191	Reverse Lever	1
20a	S-3010192	Pin	1
21	S-30997	Reverse Spring Housing	1
22	S-301016	Reverse Spring	1
24	S-3010193	Nylon Cap	1
25	S-30820	Adjustable Stop Screw	2
25a	S-30821	Spring	2
26	S-3010194	Bumper	1
27	S-30530	Screw	1
28	S-30280	Diffuser Nozzle	1
29	S-30339	Lower Diffuser Screw Holder	1
30	S-30371	Split Pin	1
31	S-30211	Nozzle Keeper	1
32	S-30567	O-Ring	1
33	S-20181	Barrel	1
34	S-3010195	End Bracket	1
35	S-30336	Lower Diffuser Screw	1
36	S-30337	Lower Diffuser Spring	1
37	S-30374	Diffuser Spring	1
38	S-3010196	Top Drive Arm Bracket	1
39	S-3010197	Bottom Drive Arm Bracket	1
40	S-30500	Screw	4
41	S-30511	Nut	4
43	S-3010182	Washer	2

***Seal washers may be ordered as a kit-Part #S-10307K**

KID Group, Inc.
15250 Sunshine Rd.
Yukon, Ok. 73099
800-373-9325