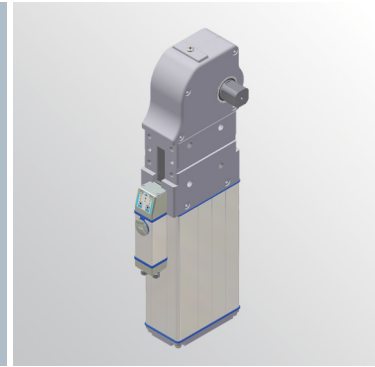


LNE950

Power clamp conforming to NAAMS Standards



L	N	E	9	5	0	N	L	2	0
1		2			3	4	5		

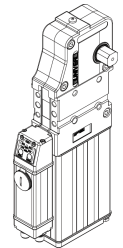


1 Series	2 Size	3 Clamping arm
-----------------	---------------	-----------------------

LNE = Power clamp conforming to NAAMS Standards

950

N = no arm

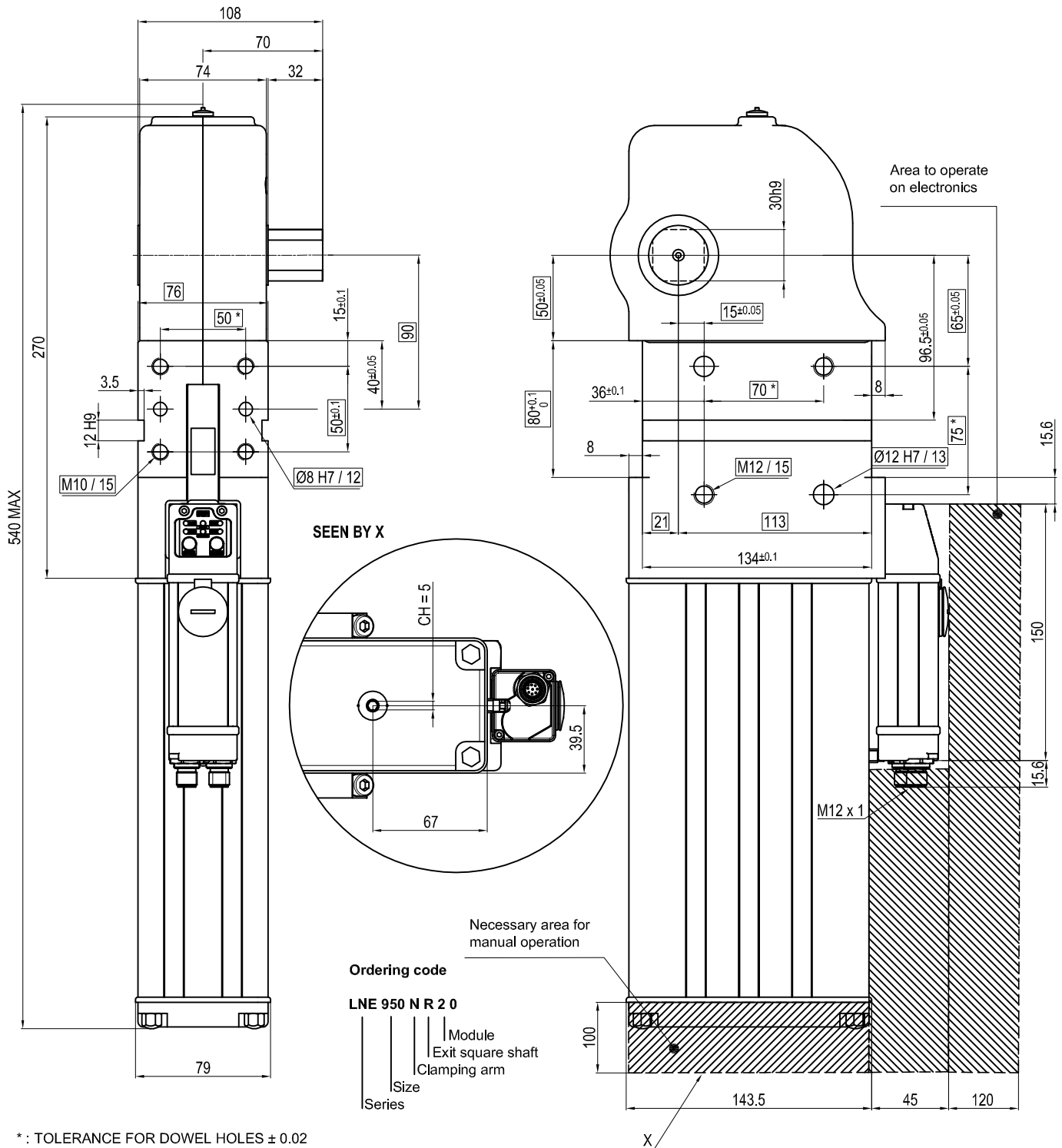


4 Output shaft mounting options	5 Control module
--	-------------------------

N = Dual square shaft
L = left side only
R = right side only

20 = 2 connectors - standard software





* : TOLERANCE FOR DOWEL HOLES ± 0.02
FOR SCREW HOLES ± 0.1

Temperature range : $5^{\circ} + 40^{\circ}\text{C}$
Opening angles available : $130^{\circ} - 105^{\circ} - 90^{\circ} - 75^{\circ} - 60^{\circ} - 45^{\circ} - 30^{\circ} - 15^{\circ}$
Without arm
Class protection : **IP 65**

The quotas in the panel refer to NAAMS norms

Size	Clamping Torque	Sec. to clamping point	Max weight
950	1000 Nm	1 sec x 90°	11.5 Kg.

Subject to technical modifications without notice

