

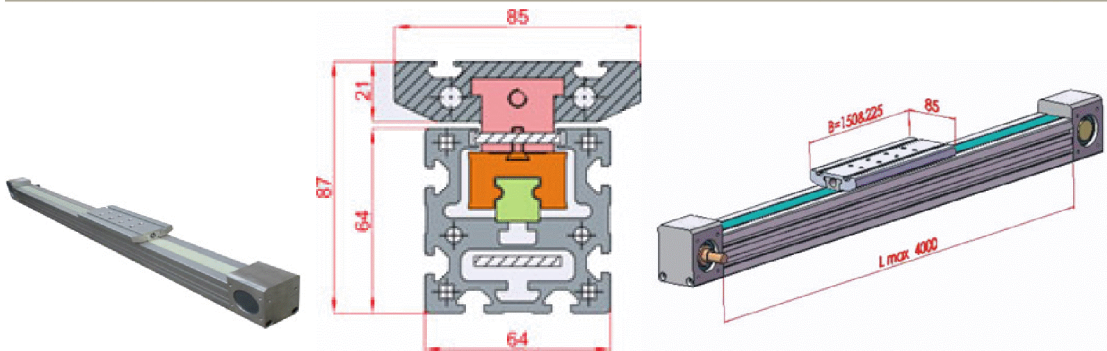


EL
News

Electrolux
Macedonia
Palenzo

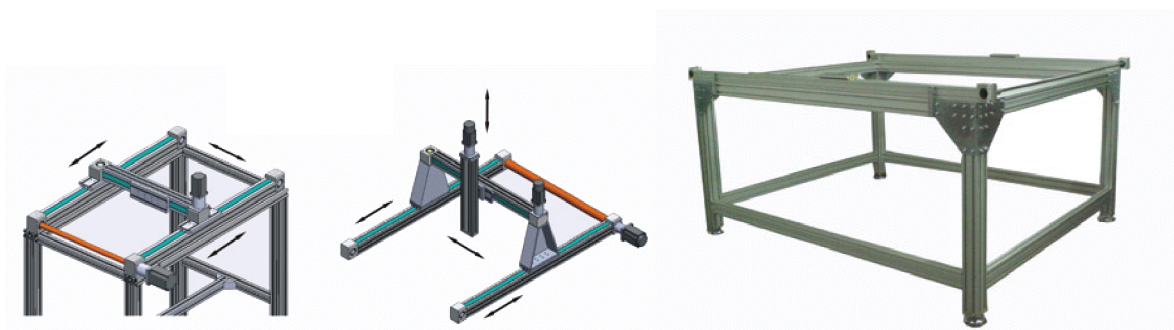
64x64 Belt Driven Linear Compact Module(Code:160-15)

- Smallest sized of closed class guidances
- It can be used in high precision applications and in hygienic applications
- Not only by parallel x axes of machines also as individual axis.
- Area of usage: alternative for emprime printing machine, thermoforming machines, packaging machines, several machine units, etc.



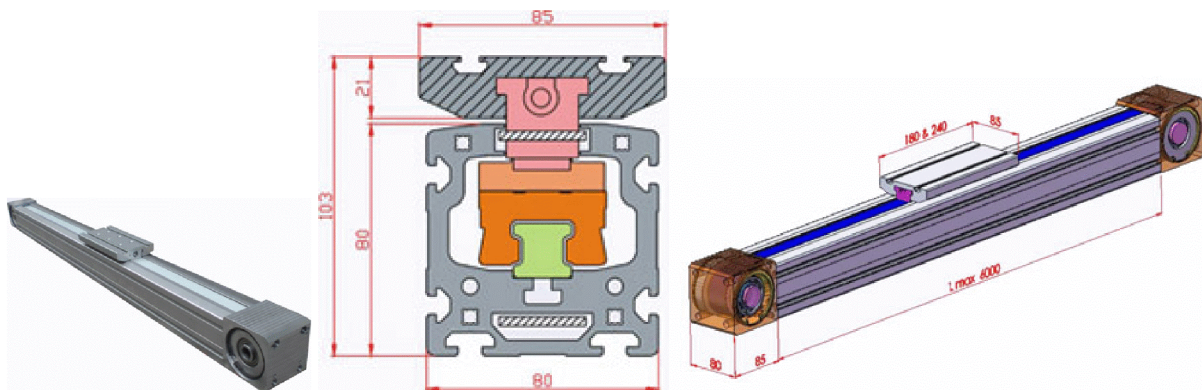
TECHNICAL SHAFT						
Timing Belt			Motor Pulley		Motor Shaft	
Type	Max Belt Tension Force	Belt Pitch	Type	Lenght/Rotate	Standart	Special
5m-30	1656 N	5mm	Z26-5m-30F	130mm	Ø15x25	As Per Order

Product Practice



80x80 Belt Driven Linear Compact Module(Code:161-20)

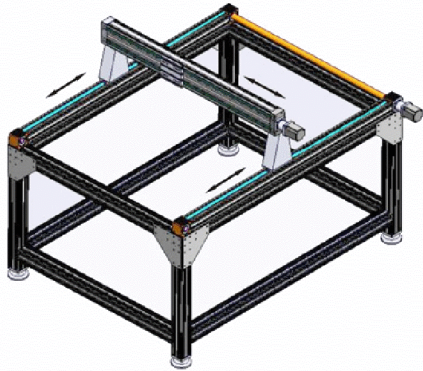
- Middle type of compact serie modules
- It is suitable for middle loads and high accuracy.
- It can be used individual axis in many different machines besides parallel x axes for carrying the bridge axis of machines



Timing Belt			Motor Pulley		Motor Shaft	
Type	Max Belt Tension Force	Belt Pitch	Type	Lenght/Rotate	Standart	Special
5m-30	1656 N	5mm	Z40-5m-30F	200mm	Ø19x30	As Per Order

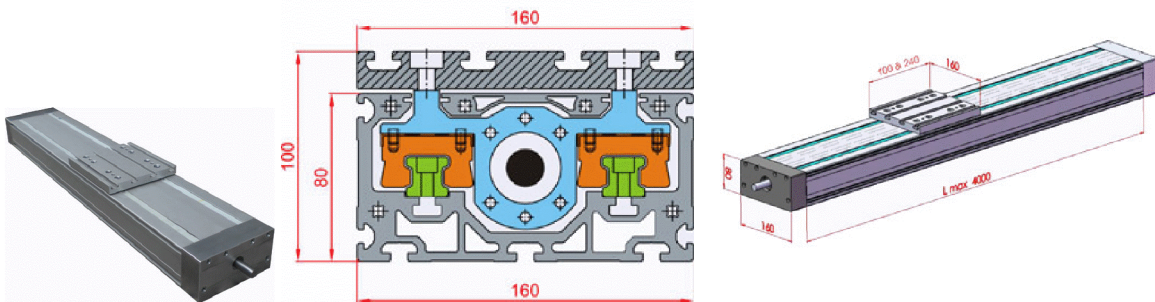
Code	Max Load Capacity		Static Moments		
	Fr	Fa	Mx	My	Mz
161-20	3929N	13650N	176Nm	98Nm	38Nm

Product Practice



80x160 Linear Compact Module With Ballscrew (Code:161-20)

- Area of usage: creating cnc bench axes, making y axis of CNC machines, wood-working machines, transfer units, cutting machines. etc.
- High sensitivity
- Allow high torque.

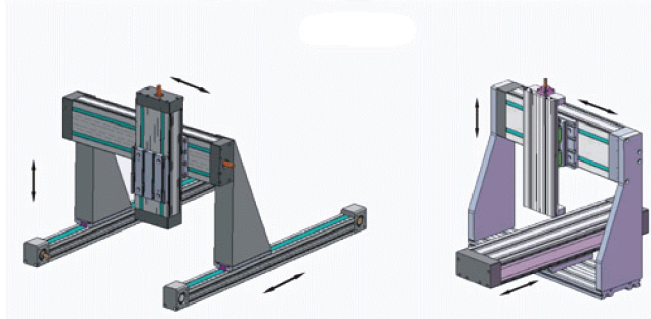


TECHNICAL VALUE								
Threaded Rod					Flanged Nut		Drive Shaft	
Type	Static	Dynamic	Shaft Pitch	Max Lenght	Type	Lenght/Rotate	Standart	Special
20- 05	15500N	11500N	5 mm	4000 mm	FSU20-05	5 mm	Ø15x30	As Per Order
25- 10	31800N	19900N	10 mm	4000 mm	FSU25-10	10 mm	Ø20x30	As Per Order

Product Practice

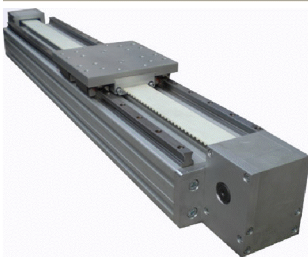


www.electrolux.mk www.elektroluks.mk www.elektroluks.eu
electrolux@t-home.mk elektroluks@t-home.mk

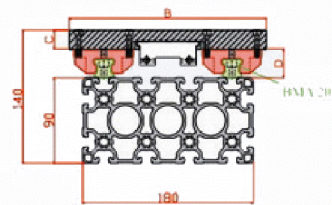


90X180 Linear Timing Module (Code:161-20)

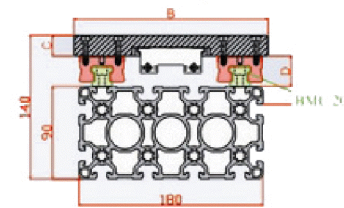
Area of usage: CNC machines , progressing machine (furniture , metal sheet, plexysglass) carrier of longer than 6 m single axis etc mechanical and automation systems.



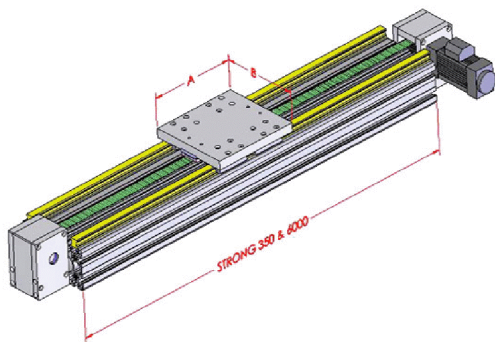
CODE:146-BMA
90x180 Linear Timing Belt



CODE: 145 BMC
90x180 Linear Timig Belt Module



90x180 Linear Timing Belt Module Plates				
CODE	A	B	C	D
145-BMC-PL	205	190	20	30
146-BMA-PL	205	210	20	30



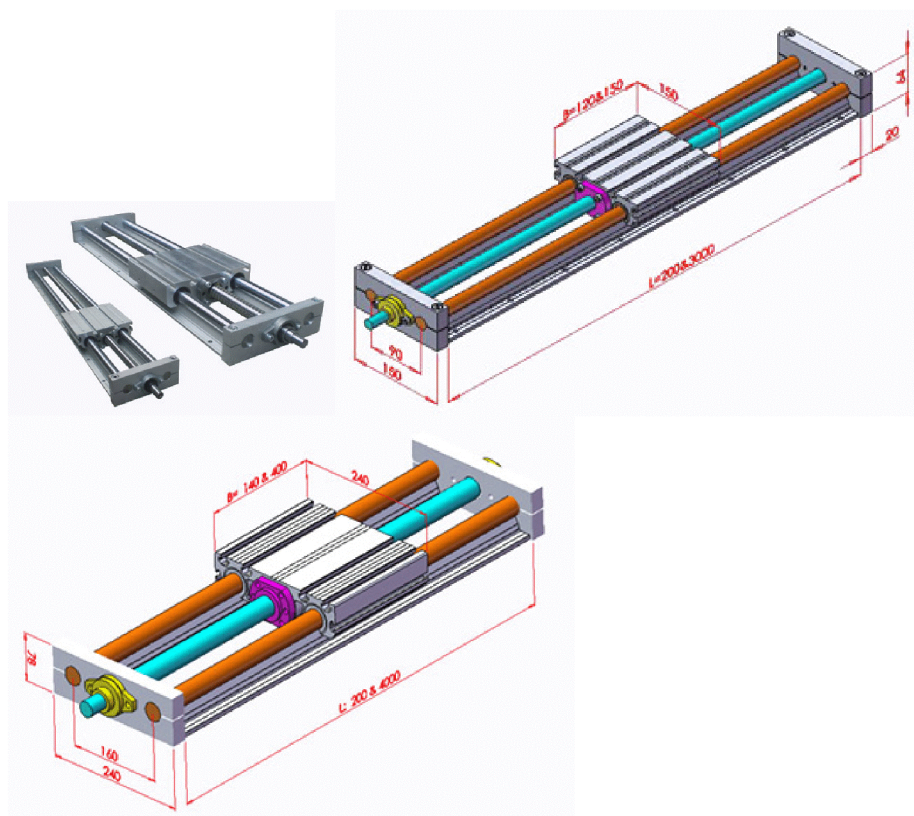
DKVM Ø20 30 Screw Module (Code:DKVM-30)(Code:DKVM-20)

DKVM Ø20 MODULE WITH SCREW:

- Area of usage: Furniture Decoration machinery, frame machines, CNC router, CNC router machine tools (z) axis in the mini cnc router (y) axis in the, Polyfoam cutting machines, etc.

DKVM Ø30 MODULE WITH SCREW:

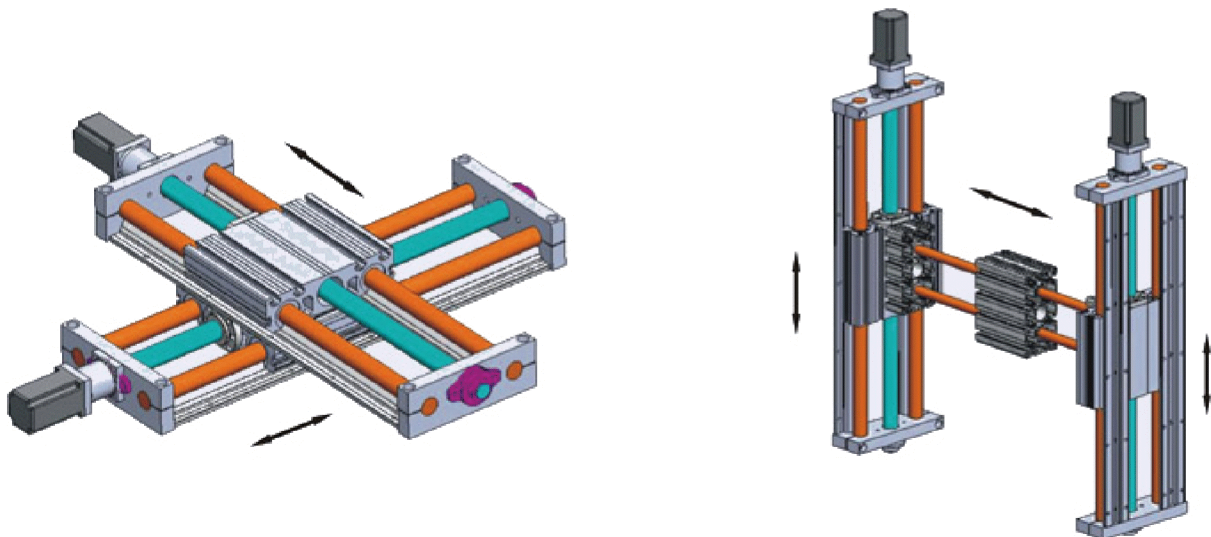
- Stronger guiding and desinged of high moment prossess.
- Provide attractive application that can produced up to 4 meters with screw ball, 6 meters trigger belted.
- It rises to max speed:4,5m/s at the moving type of timing belt (AT10-50)
- Area of usage: Furniture Decoration machinery, frame machines, CNC router, CNC router machine tools (z) axis in the mini cnc router (y) axis in the, Polyfoam cutting machines, etc.



TECHNICAL VALUE								
Threaded Rod				Flanged Nut		Drive Shaft		
Type	Static	Dynamic	Shaft Pitch	Max Length	Type	Length/Rotate	Standart	Special
20 - 05	15500N	11500N	5 mm	3000 mm	FSU20-05	5 mm	∅15x25	As Per Order
32 - 05	36300N	19300N	5 mm	6000 mm	FSU32-10	5 mm	∅25x30	As Per Order

Code	Max Load Capacity		Static Moments		
	Fr	Fa	Mx	My	Mz
Dkvm- 30	17330N	8388N	346,4Nm	487Nm	486Nm
Dkvm- 20	11288N	5079,4N	298Nm	427Nm	216,5Nm

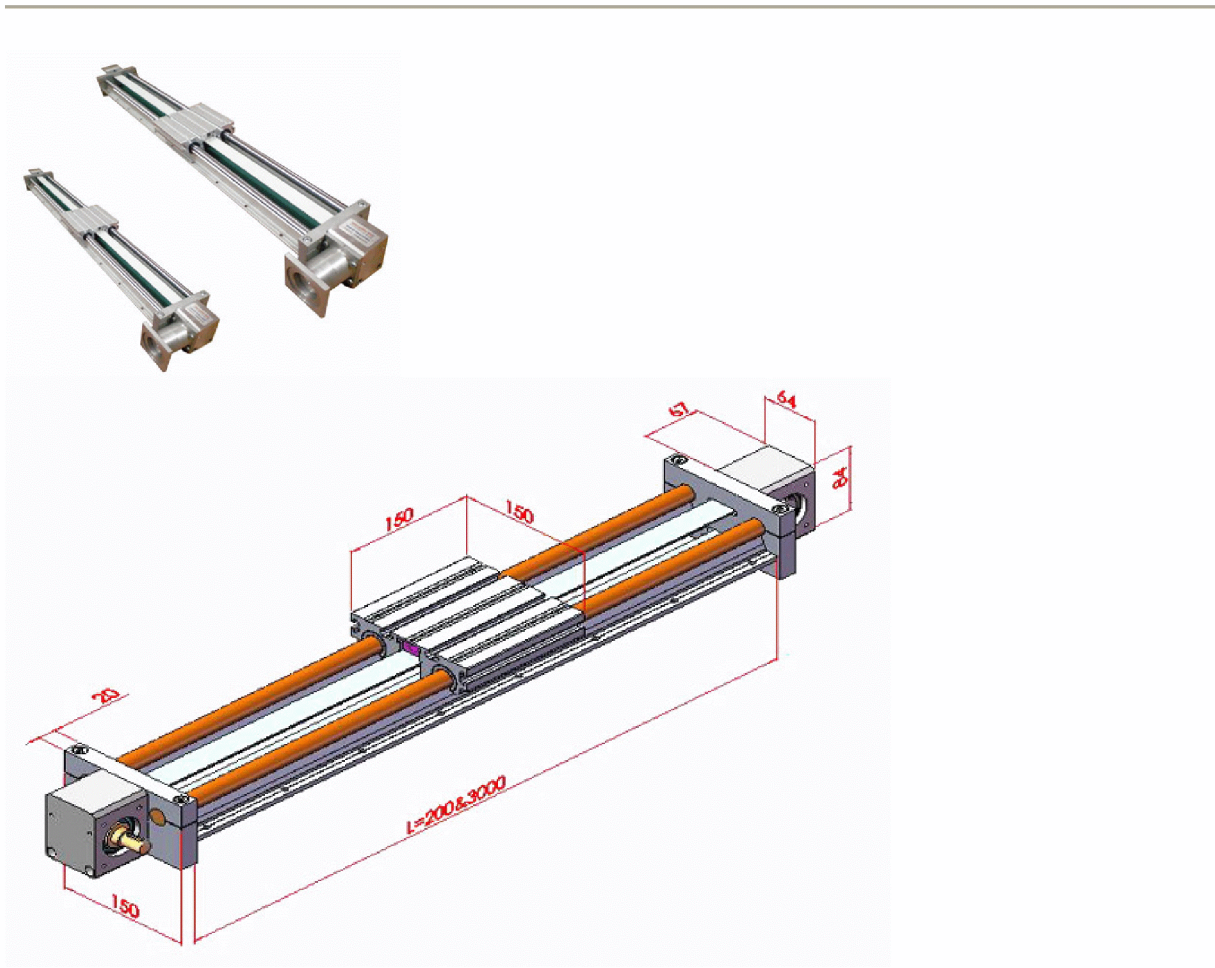
Product Practice





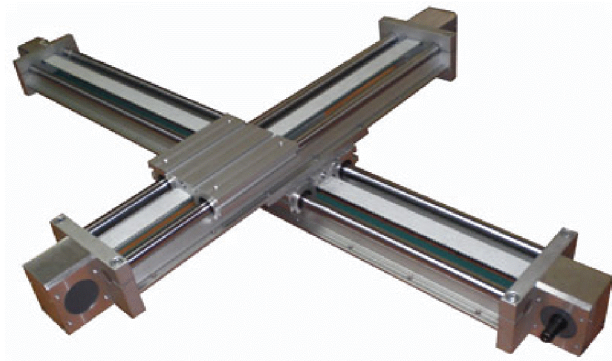
Module of DKTM Timing Belt(Code:DKTM-5M)

- Area of usage: Furniture Decoration machinery, frame machines, CNC router, CNC router machine tools (z) axis in the mini cnc router (y) axis in the, Polyfoam cutting machines, etc.





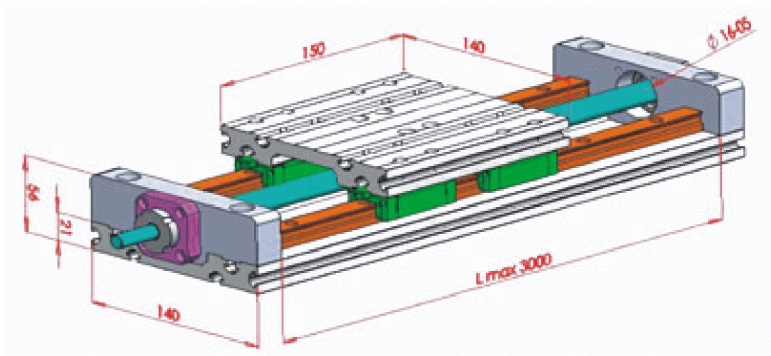
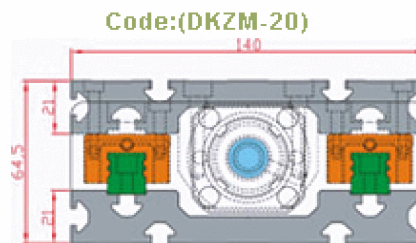
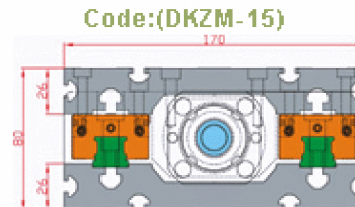
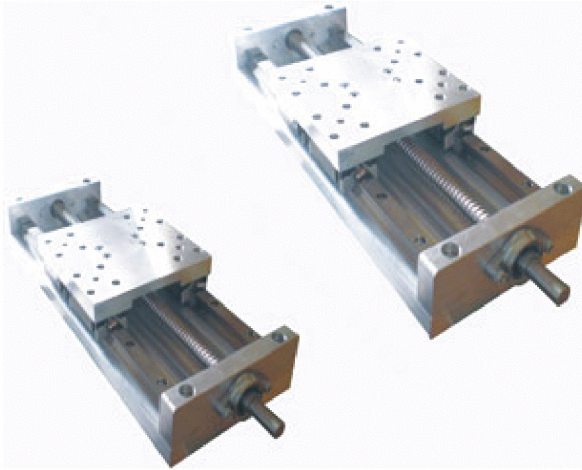
Product Practice

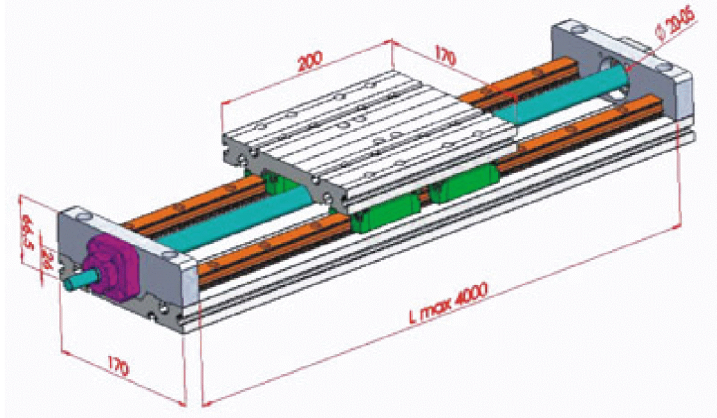




Modules of (Z) Axis (Code:DKZM-15Z)(Code:DKZM-20Z)

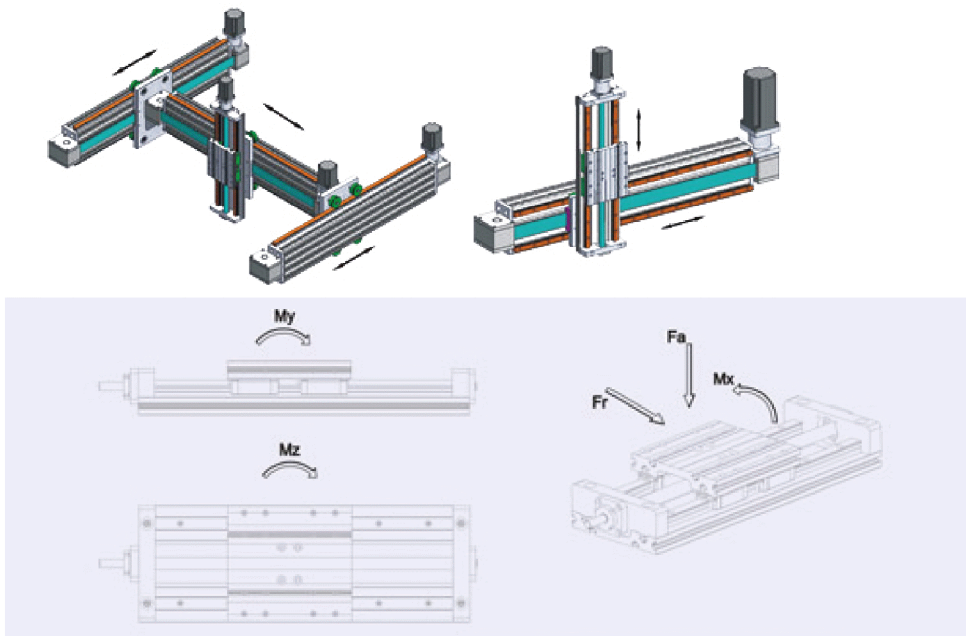
- Area of usage: As Z axis.
- For chipping process in machines with spindle motor for required guidance
- Various lengths can be achieved

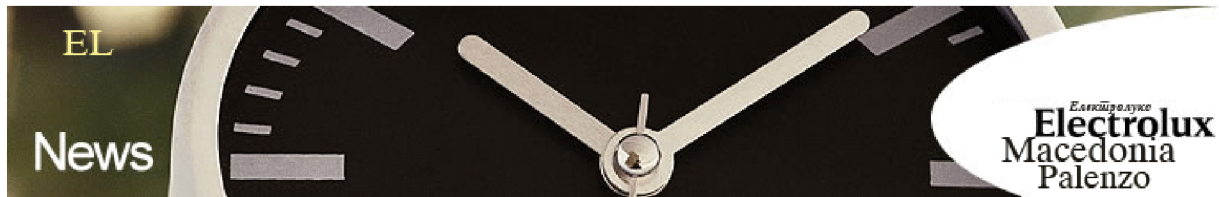




TECHNICAL VALUES								
Threaded Rod					Flanged Nut		Drive Shaft	
Type	Static	Dynamic	Shaft Pitch	Max Length	Type	Length/Rotate	Standart	Special
16- 05	10900N	9500N	5 mm	3000 mm	FSU16-05	5 mm	$\varnothing 12 \times 30$	As Per Order
20- 05	15500N	11500N	5 mm	4000 mm	FSU20-05	5 mm	$\varnothing 15 \times 30$	As Per Order

Product Practice





Ø8 Closed Timing Belt Block Module

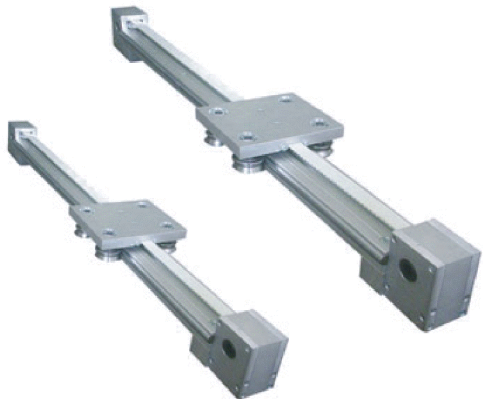
- Area of usage: (y)axis, photocell carrier etc. mechanical and automation systems.
- With any gear group required length can be achieved in linear motions.
- Optional motor applications



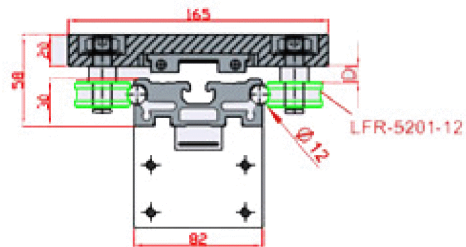


Ø12 Timing Compact Module (Code:114-5201)
Ø20 Timing Compact Module (Code:119-202)

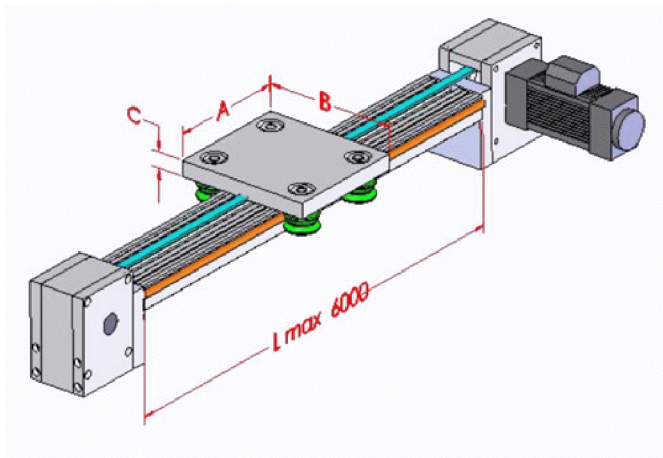
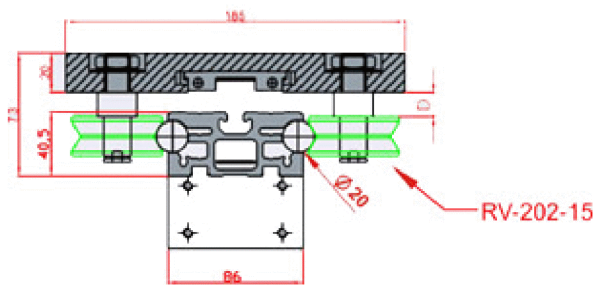
- Area of usage: (y)axis, photocell carrier etc. mechanical and automation systems.
- With any gear group required length can be achieved in linear motions.
- Optional motor applications

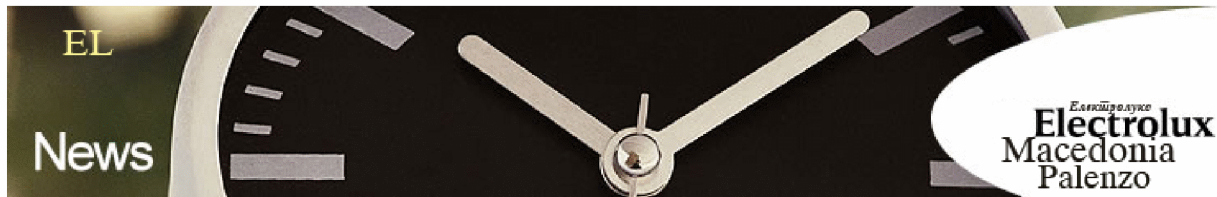


Code: 114-5201
 Ø12 Triger Block Module



Code: 119-202
 Ø20 Triger Block Module





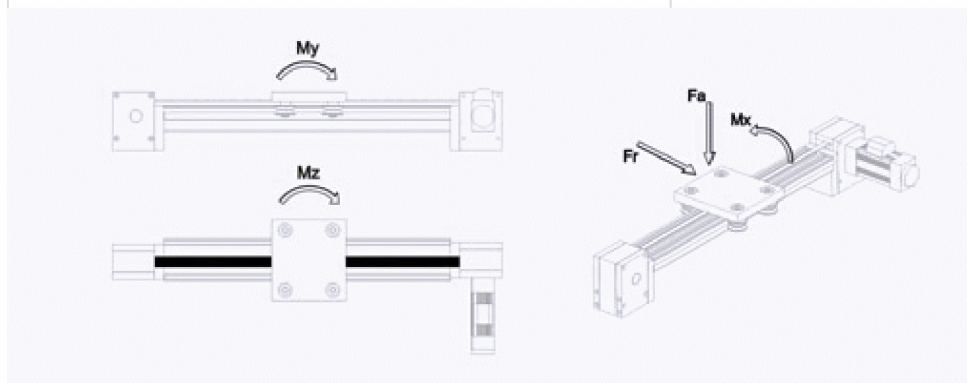
TECHNICAL SHAFT						
Timing Belt			Motor Pulley		Motor Shaft	
Type	Max Belt Tension Force	Belt Pitch	Type	Lenght/Rotate	Standart	Special
T10-25	1325 N	10 mm	Z16-T10-F25	160mm	Ø18x25	As Per Order

Code	Max Load Capacity		Static Moments		
	Fr	Fa	Mx	My	Mz
114-5201	2643,7N	5288N	214,4Nm	283,1Nm	156,5Nm
119-202	4757,2N	7513N	374,4Nm	484,1Nm	260Nm

Product Practice

PLATE SIZES				
Code	A	B	C	D
114-5201-PL	145	165	20	10
119-202-PL	165	185	20	19

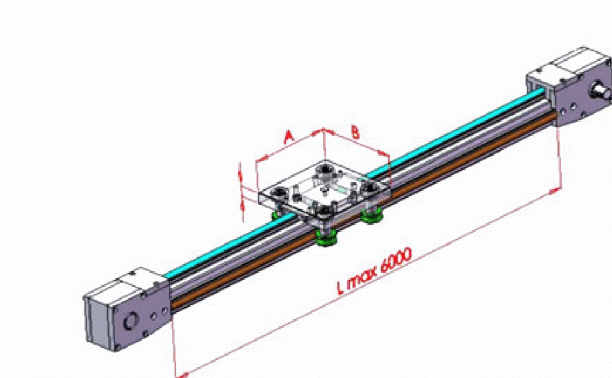
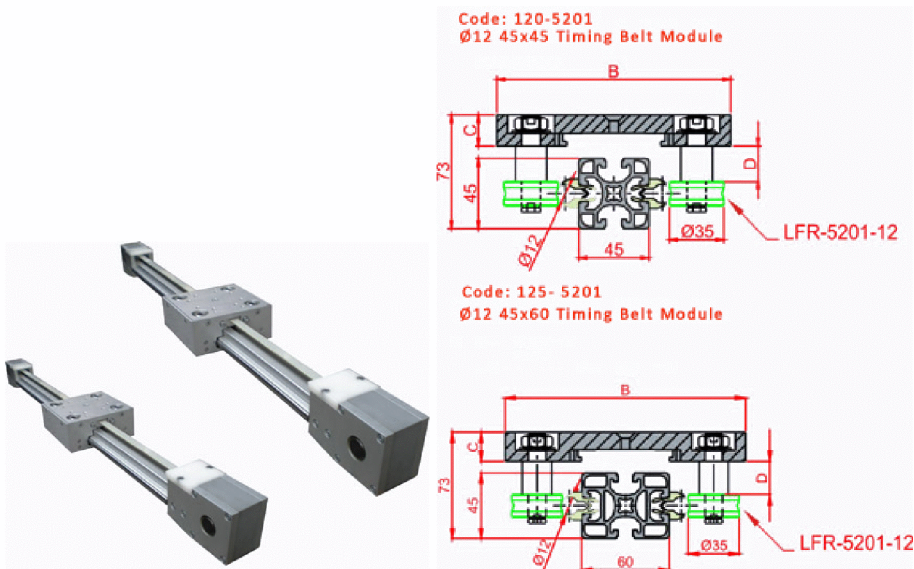
L max- A =stroke





Roller Timing Module 45x45 (Code:120-5201) Roller Timing Module 45x60 (Code:125-5201)

- Area of usage: Automation of barcode, automation of camera, photocell carrier, axis motion system of light loading etc. mechanical and automation systems.
- Fixated by timing module $\varnothing 12$ induction miles and claw profile to 45x45 sigma profile.
- Entegrating of the motor the linear motion is obtained
- Various lenght



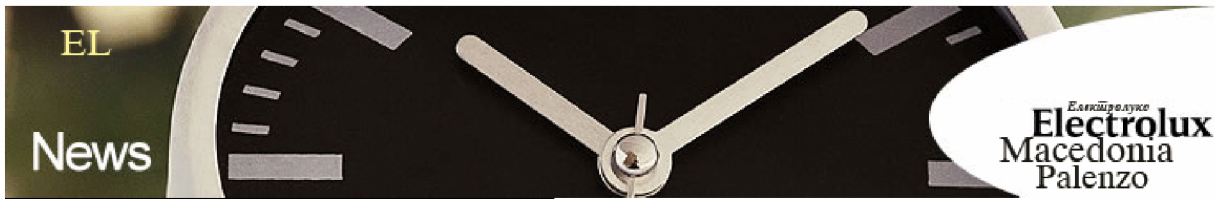
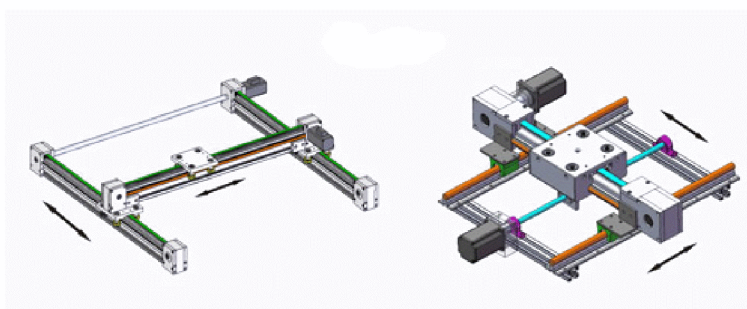
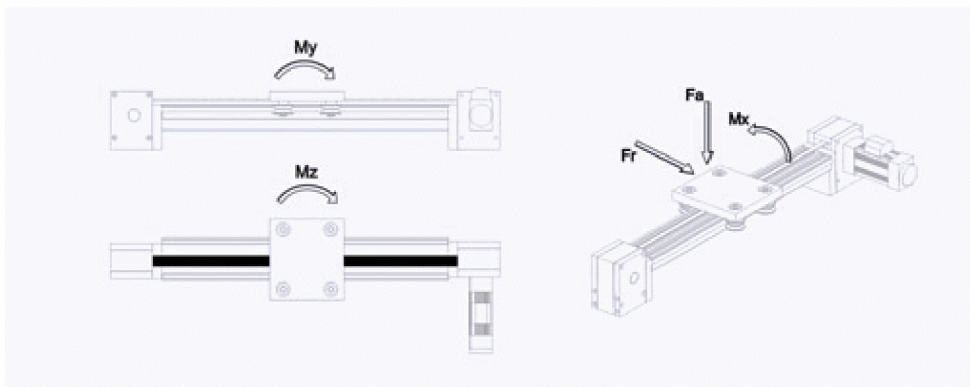


PLATE SIZES				
Code	A	B	C	D
120-5201-PL	155	155	20	22,6
125-202-PL	155	155	20	22,6

L max- A =stroke



Timing Belt			Motor Pulley		Motor Shaft	
Type	Max Belt Tension Force	Belt Pitch	Type	Lenght/Rotate	Standart	Special
T5-16	450 N	5mm	Z30-T5-AL	150mm	Ø18x25	As Per Order



Code	Max Load Capacity		Static Moments		
	Fr	Fa	Mx	My	Mz
120-5201	3177,3N	2263N	63,8Nm	58,3Nm	100Nm
125-5201	3287,3N	2363N	63,8Nm	62,3Nm	107Nm

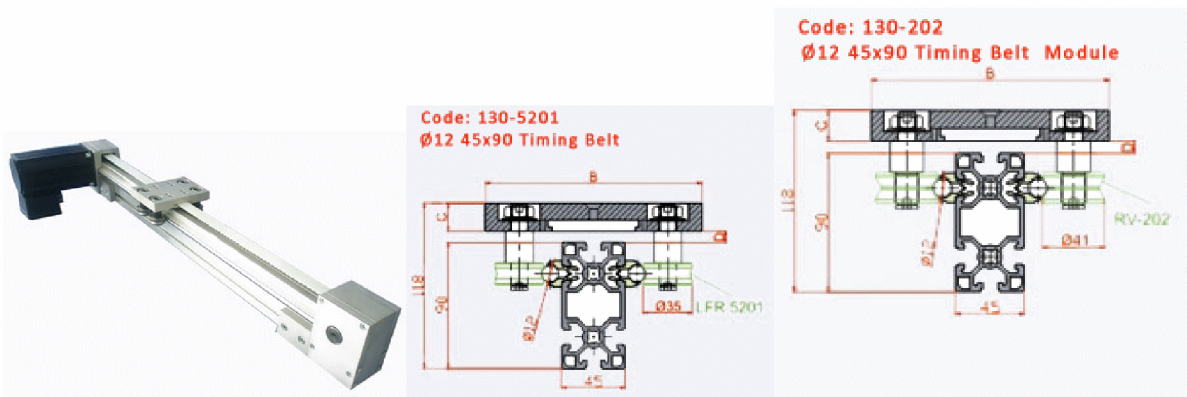


EL
News

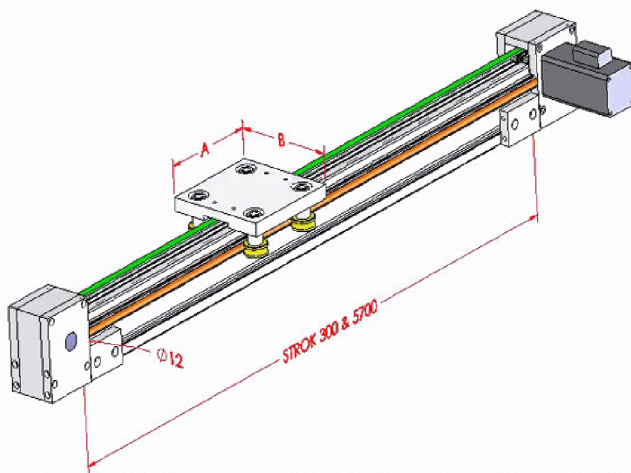
ΕΛΕΚΤΡΟΛΥΚΟΣ
Electrolux
Macedonia
Palenzo

Roller Timing Module 45x90(Code:130)

- Area of usage: Router (y) axis in the single-axis lift applications, binding machines, etc mechanic and automation systems



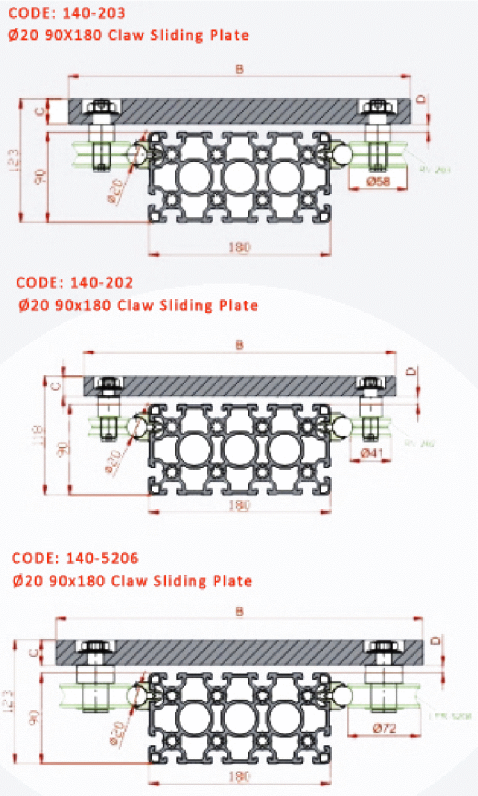
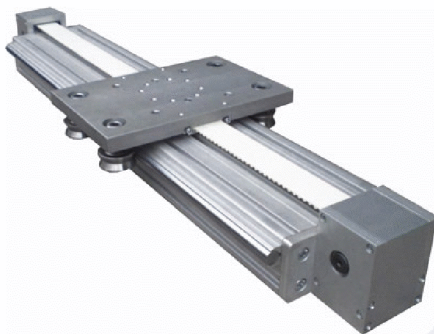
45x90 Timing Belt Module				
Code	A	B	C	D
130-5201-PL	155	155	20	8
130-202-PL	155	155	20	8

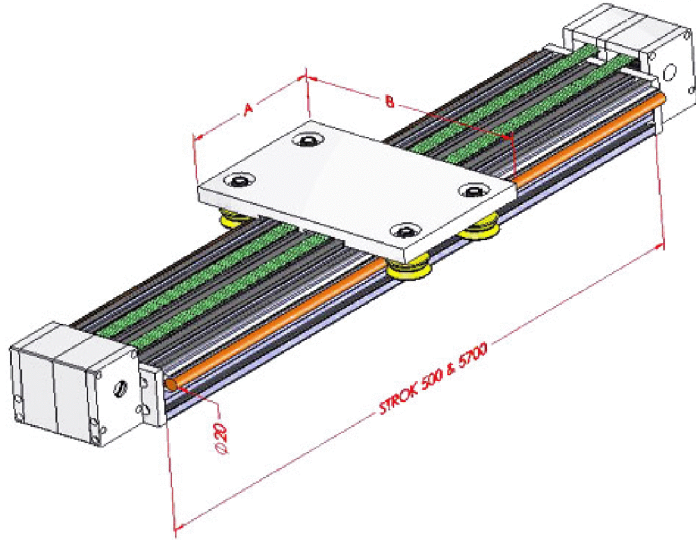




Roller Timing Module 90x180(Code:140)

- Area of usage: CNC machines, overhead transfer units, plasma bench etc and mechanical and automation systems



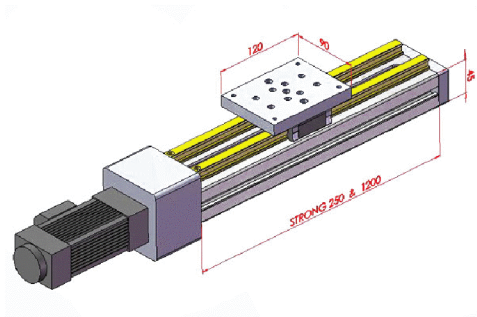
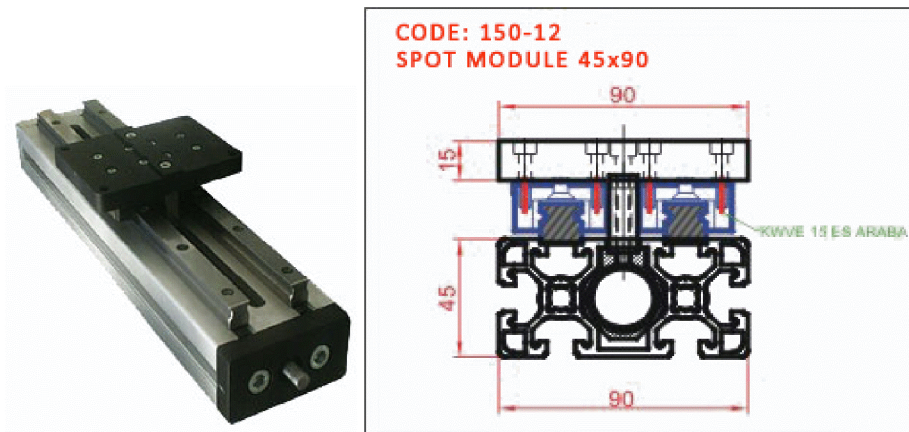


90x180 Timing Belt Module Plates				
CODE	A	B	C	D
140-203-PL	230	340	25	8
140-202-PL	200	310	20	8
140-5206-PL	250	365	25	8



Spot Module 45x90 (Code:150-12)

Area of usage: CNC router, vertical axis (z) of plasma bench, in a similar axis movement



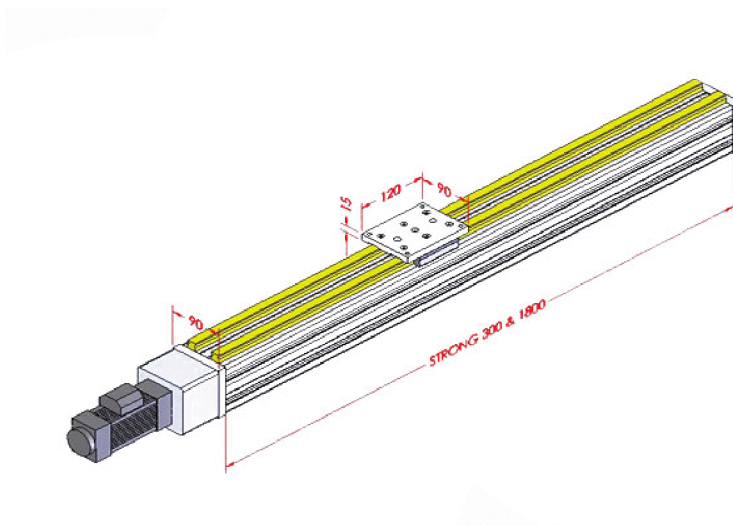
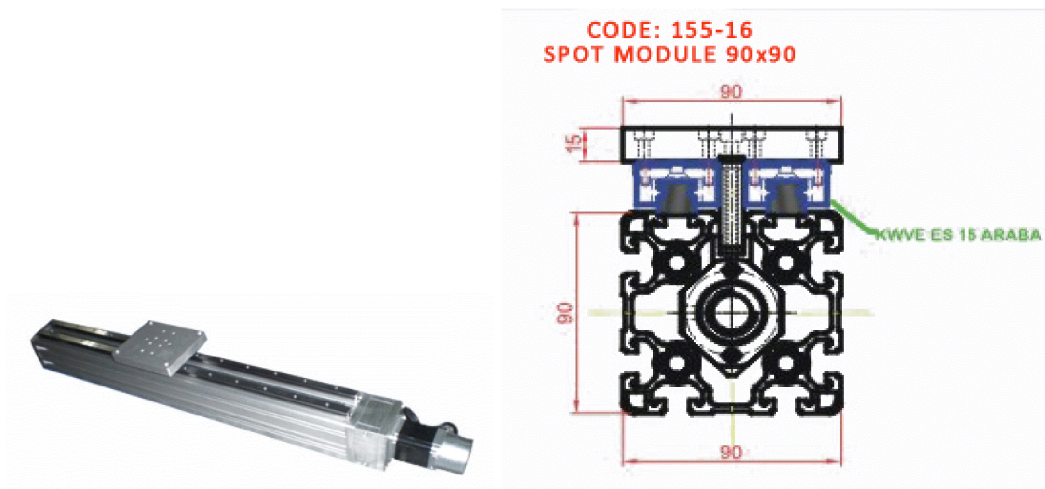
Product Practice





Spot Module 90x90 (Code:155-16)

- Area of usage: CNC router, axis (y) of plasma bench, unit of two axis and in a similar axis movement

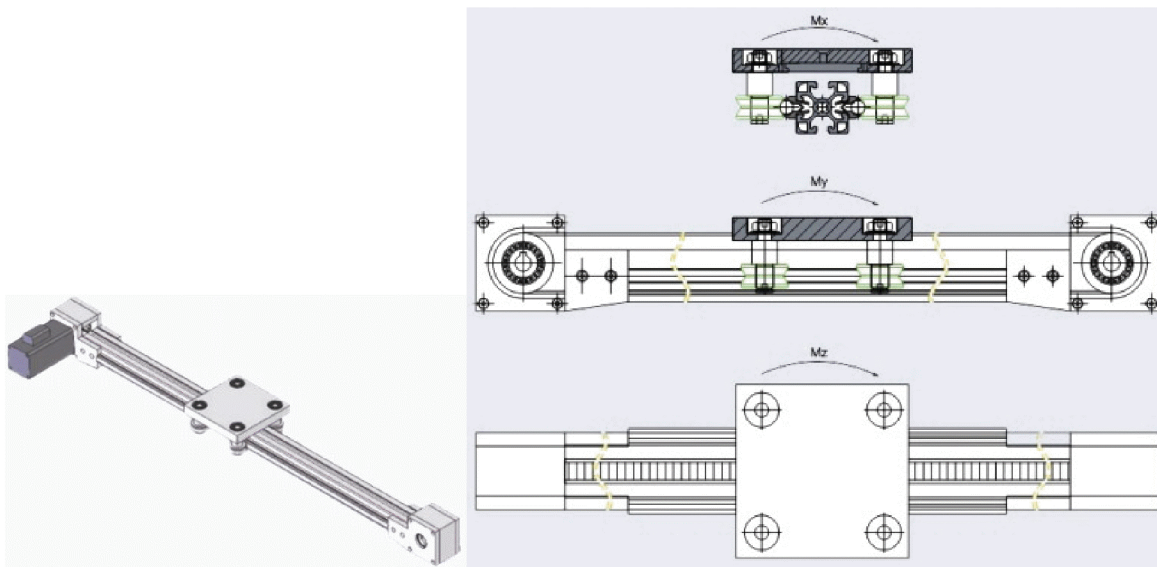




Product Practice



Guiding Value of Module (Code:155-16)

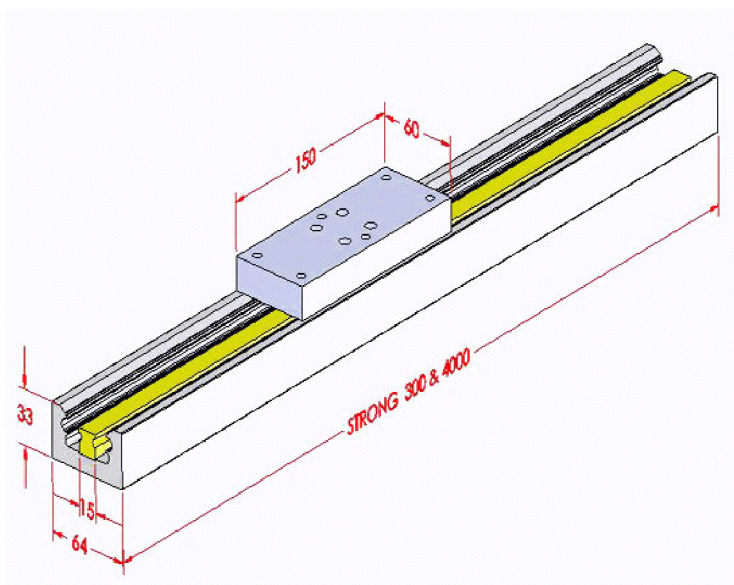
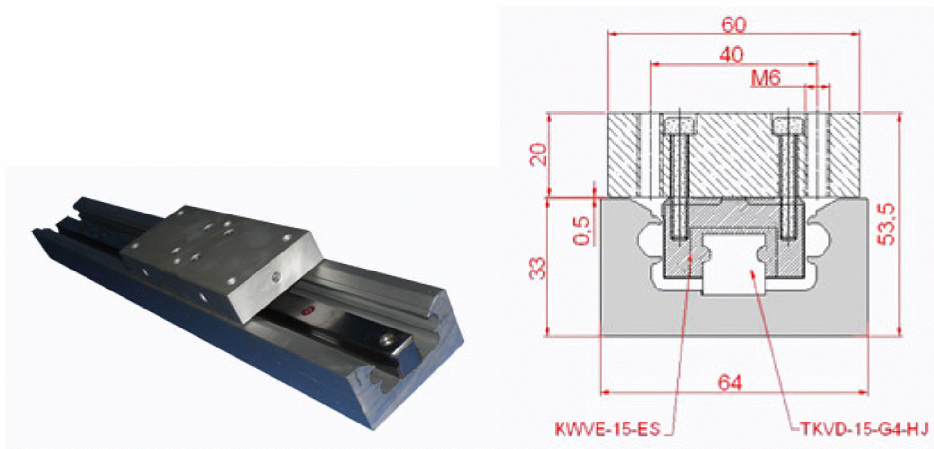


TIMING BELT MODULE		LIMIT FORCES (N)		STATIC MOMENTS (Nm)		
PRODUCT	CODE	RADIAL FORCE (Fr)	AXIAL FORCE (Fa)	Mx	My	Mz
45x45 Timing Belt Module	120-5201	2500	950	50	93	157
45x45 Timing Belt Module	120-202	2600	1050	59	98	165
45x60 Timing Belt Module	125-5201	2500	960	45	89	150
45x60 Timing Belt Module	125-202	2600	1050	50	93	157
45x90 Timing Belt Module	130-5201	2700	1000	59	98	165
45x90 Timing Belt Module	130-202	2900	1120	59	98	165
90x90 Timing Belt Module	135-202	3500	1500	89	107	180
90x90 Timing Belt Module	135-203	3600	1650	105	124	210
90x180 Timing Belt Module	140-203	4800	2100	140	164	277
90x180 Timing Belt Module	140-202	4600	1950	120	138	232
90x180 Timing Belt Module	140-5206	5600	2500	165	182	307



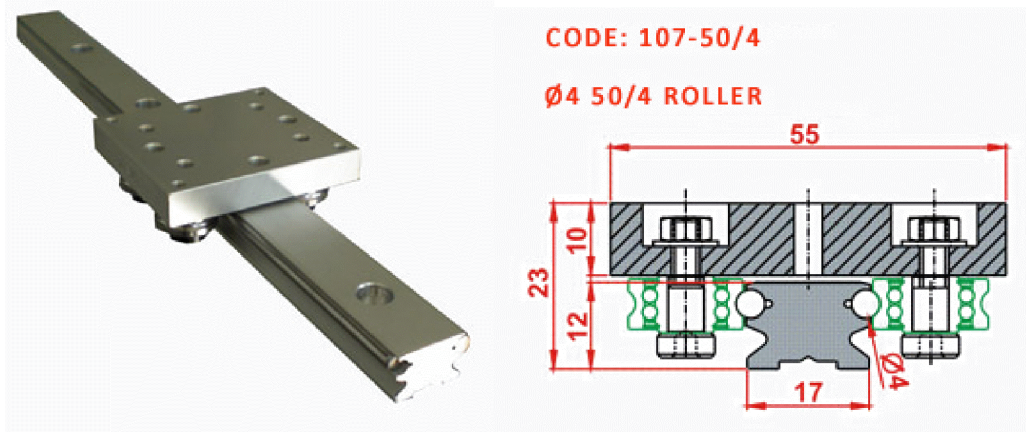
Linear Closed Block Guiding Systems 33x64 (Code:111-LNR)

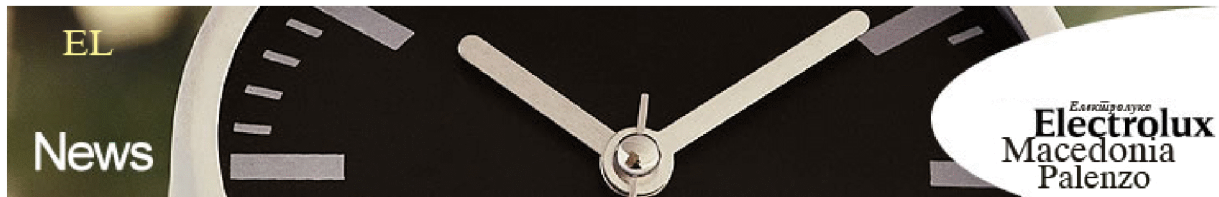
- Mostly Transfer applications of Pneumatic, Rack, Chain Driven are used
- Unit carriers is possible parallel guiding of machine and automation systems.
- Besides two parallel axis it can be also applied individual axis guide.



Rolled Block Guiding Ø4 (Code:107-50/4)

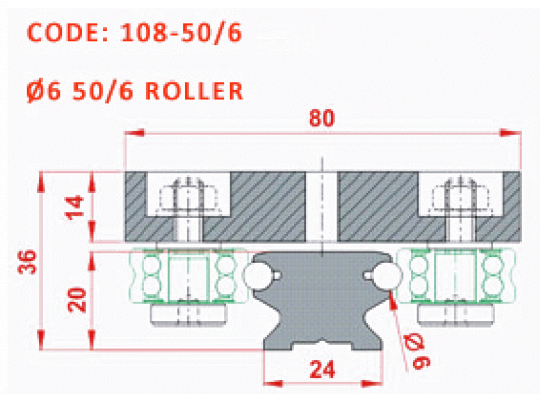
- It can be used in application of block guide
- Area of usage Back of the put group Apgant press guiding, manual guiding, Mechanical and automation systems, the linear motion control and multi axis applications.





Rolled Block Guiding Ø6 (Code:108-50/6)

- It can be used in application of block guide
- Area of usage: Back of the put group Apgant press guiding, manual guiding, Mechanical and automation systems, the linear motion control and multi axis applications.





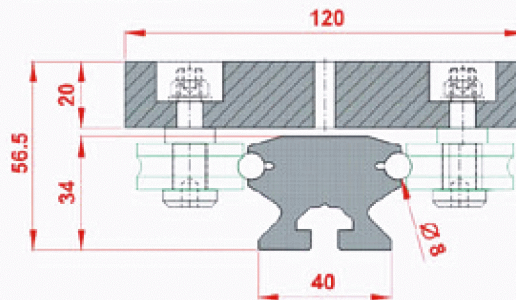
Rolled Block Guiding Ø8 (Code:109-50/8)

- It can be used in application of block guide
- Area of usage Back of the put group Apgant press guiding, manuel guiding, Mechanical and automation systems, the linear motion control and multi axis applications.



CODE: 109-50/8

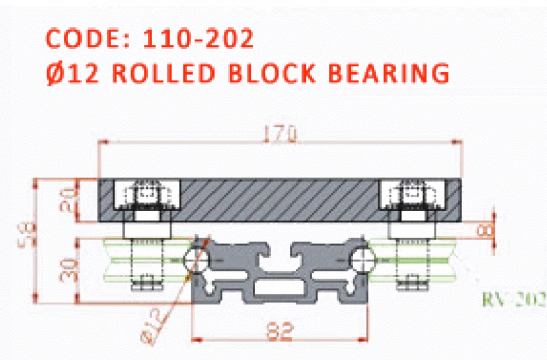
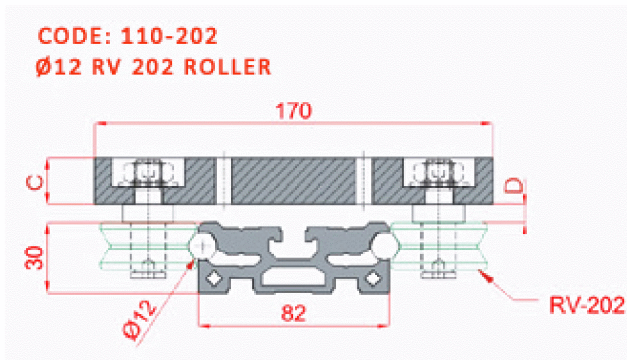
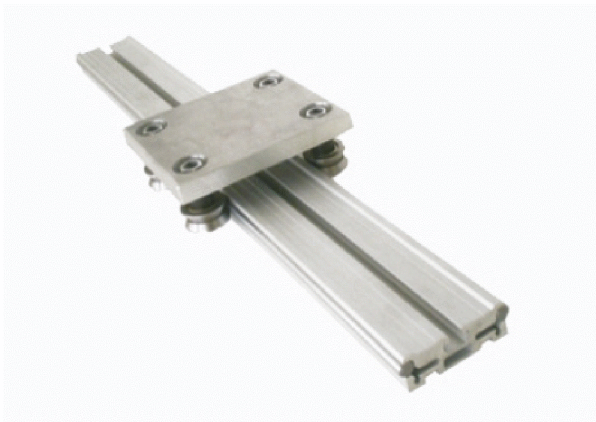
Ø8 50/8 ROLLER

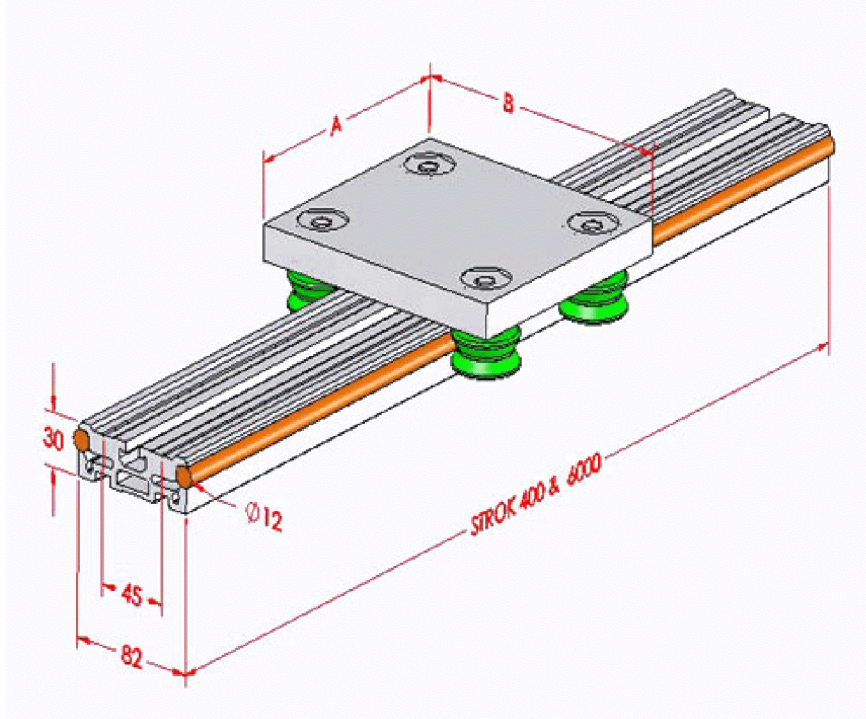




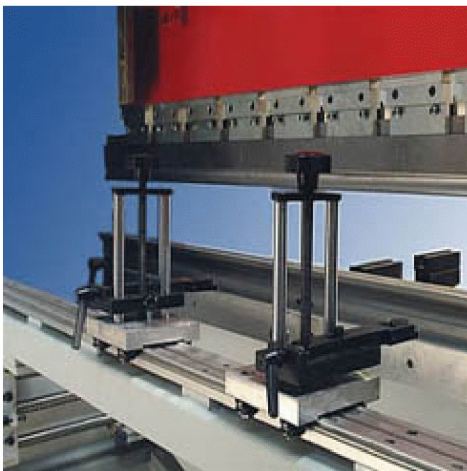
Rolled Block Guiding Ø12 (Code:110-202)

- It can be used in application of block guide
- Area of usage Back of the put group Apgant press guiding, manual guiding, Mechanical and automation systems, the linear motion control and multi axis applications.



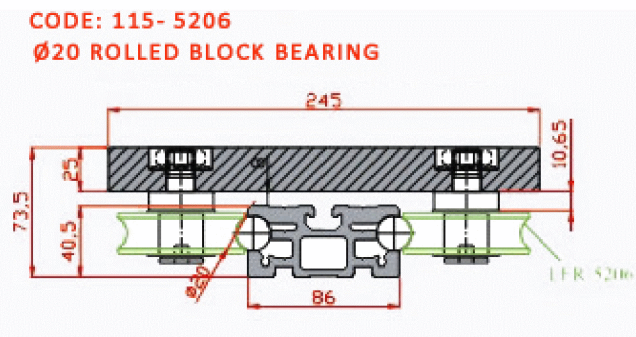
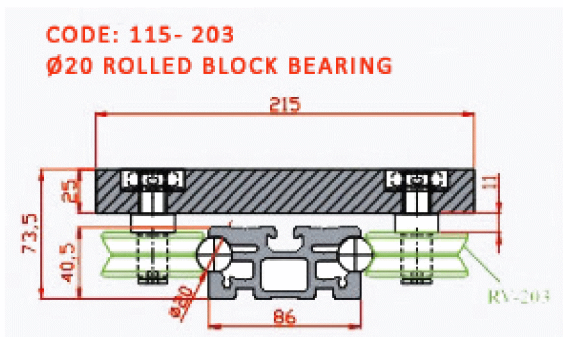
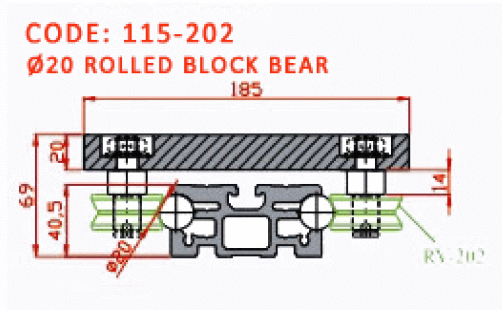
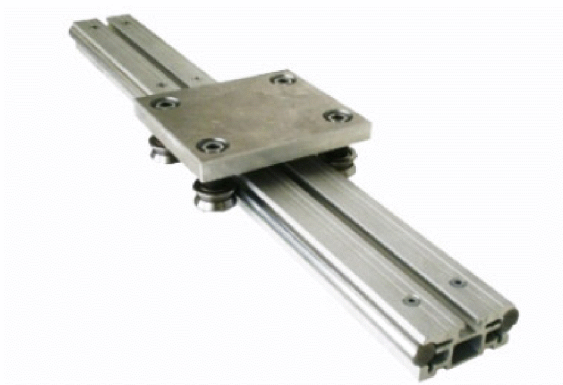


Product Practice



Rolled Block Guiding Ø20 (Code:115-202)(Code:115-203)(Code:115-5206)

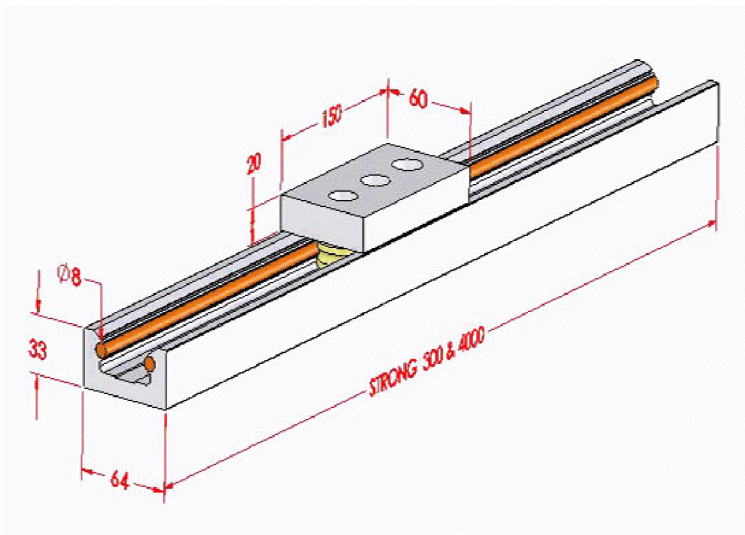
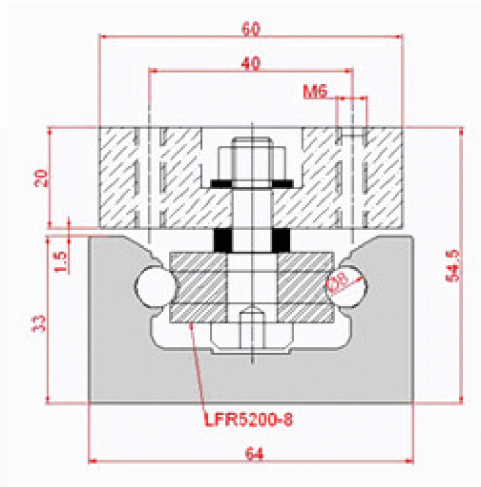
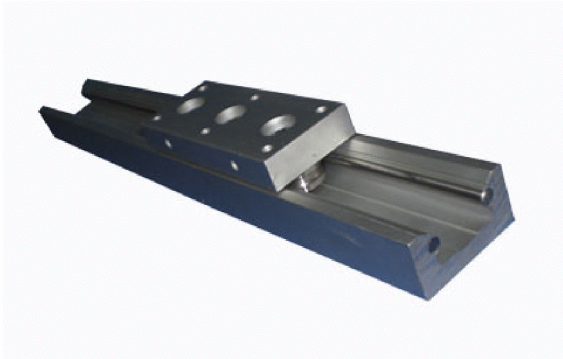
- Can be used at manual guidance and mechanical systems





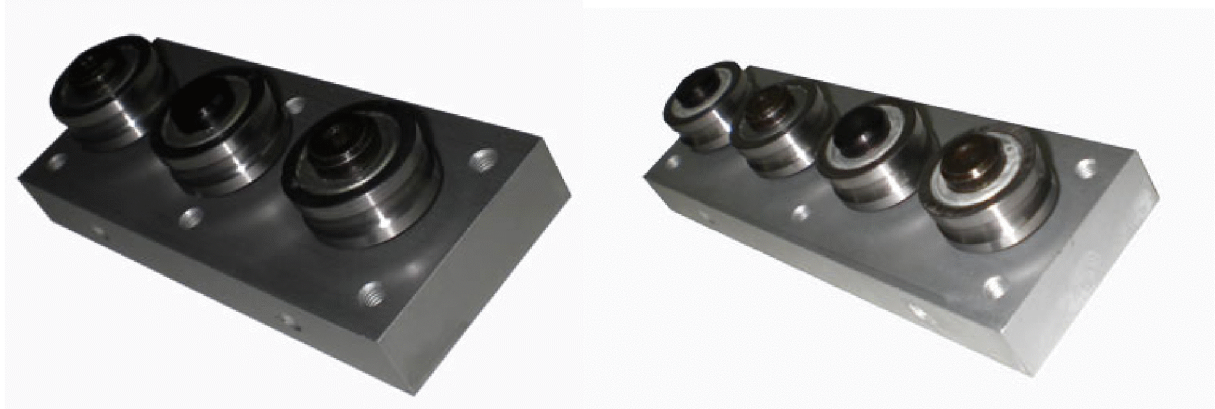
Rolled Closed Block Guiding System 33x64 (Code:112-5200)

- Mostly Transfer applications of Pneumatic, Rack, Chain Driven are used
- Unit carriers is possible parallel guiding of machine and automation systems.
- Besides two parallel axis it can be also applied individual axis guide.





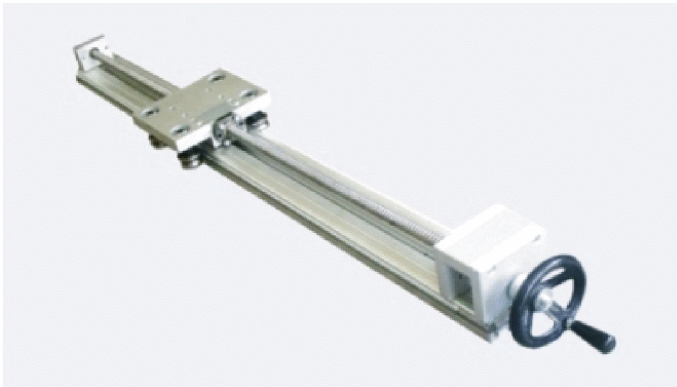
3 - 4 Rolled Plates



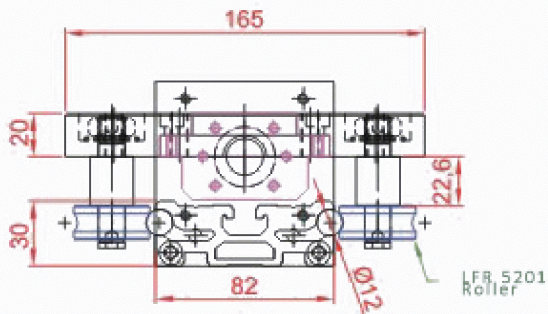


Screwed Block Modules (Code:111-116)(Code:112-5201)(Code:115-202)

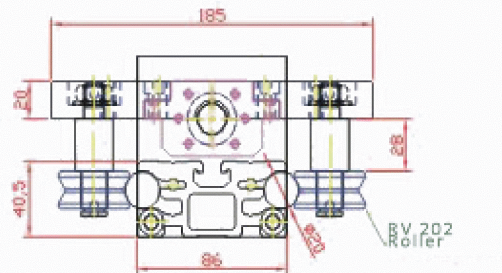
- It can be used when accuracy and long life is essential
- Axial coordinates is composed easily at mechanical and automation systems
- Required length can be achieved by ball screw and nuts
-

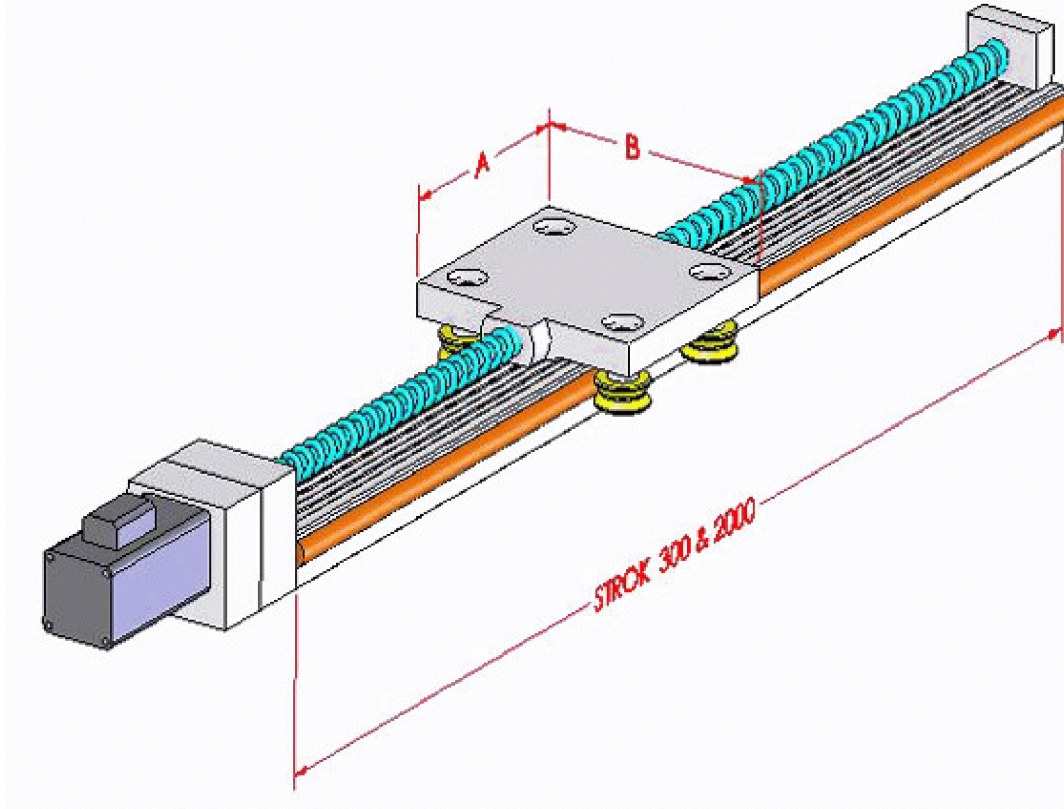


CODE: 11-5201
Ø12 Screwed Block Module

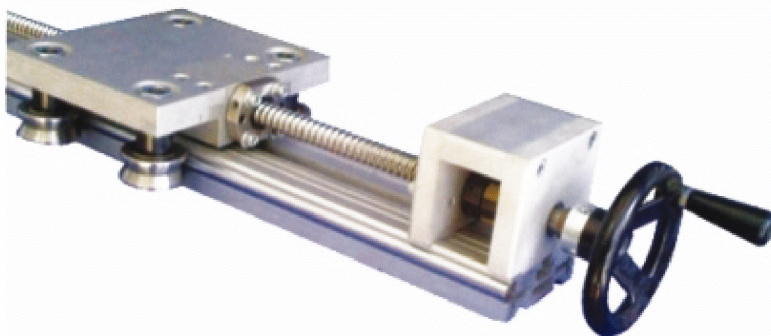


CODE : 115-202
Ø20 Screwed Block Module



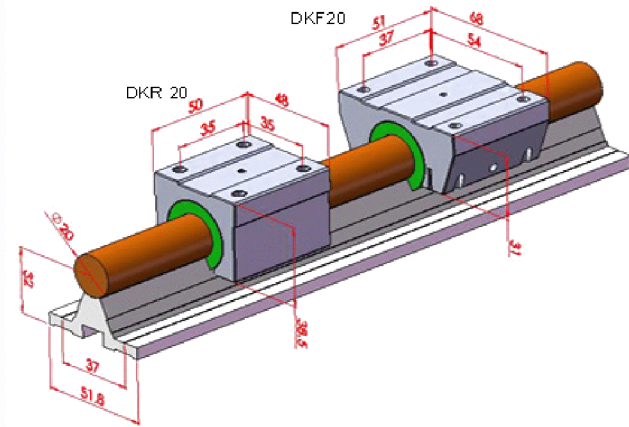


Product Practice

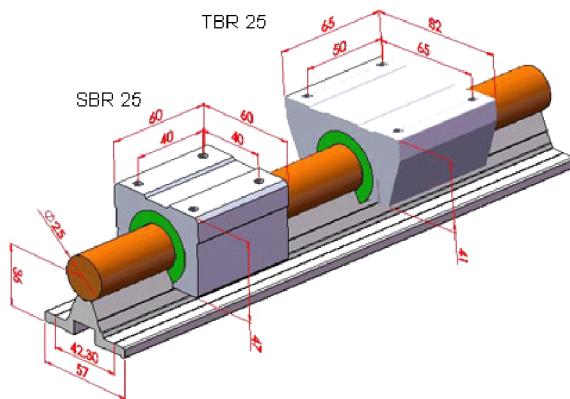


Shaft Support Ø20

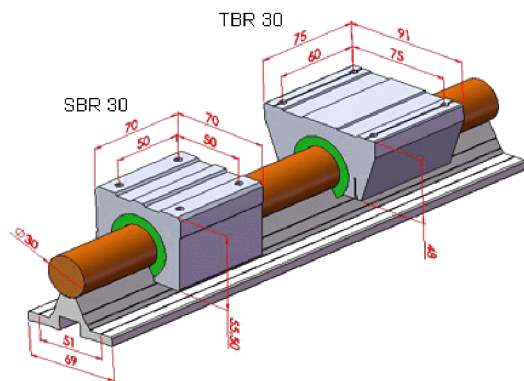
Shaft support guiding which has got 5 different options are possible to variable cars.



Shaft Support Ø25

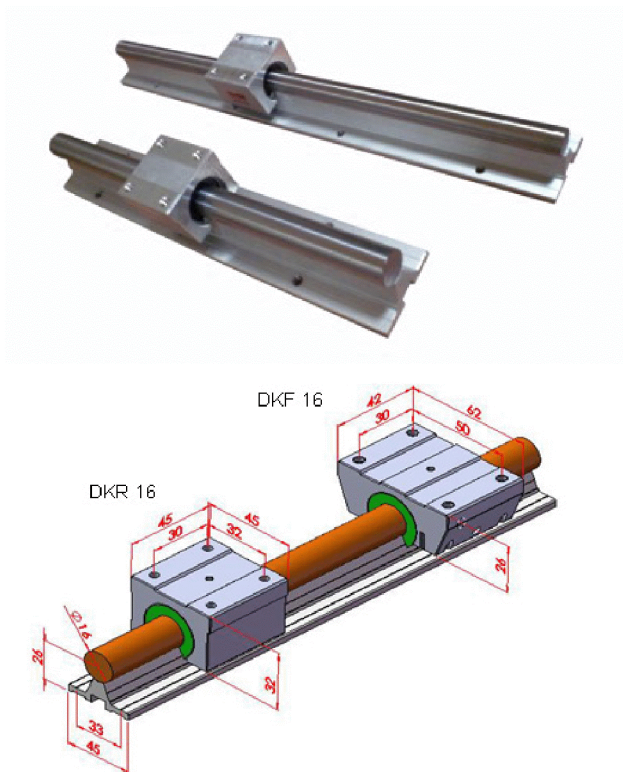


Shaft Support Ø30



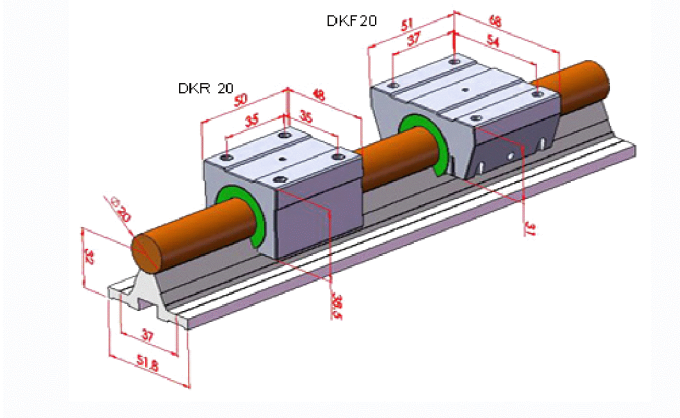
Shaft Support Ø16-20-25-30 Single Bearing (Code:170)

- Area of usage: Styrofoam cutting machines, paint spraying apparatus carrier, parallel guidance, camera carrier, etc machines and formation of single-axis coordinates in automation

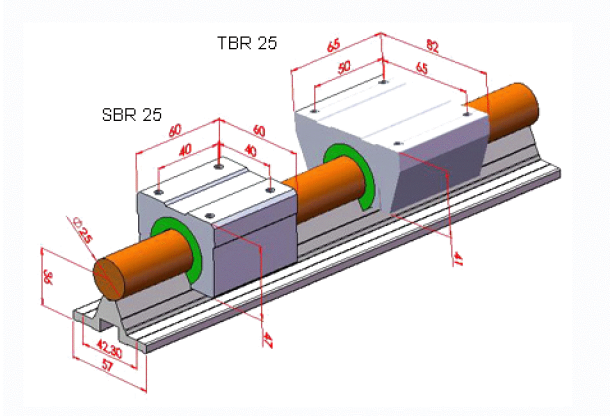


Shaft Support Ø20

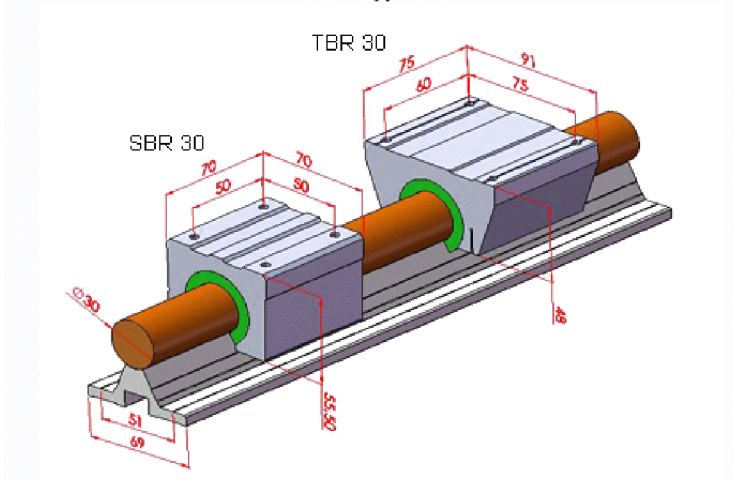
Shaft support guiding which has got 5 different options are possible to variable cars.



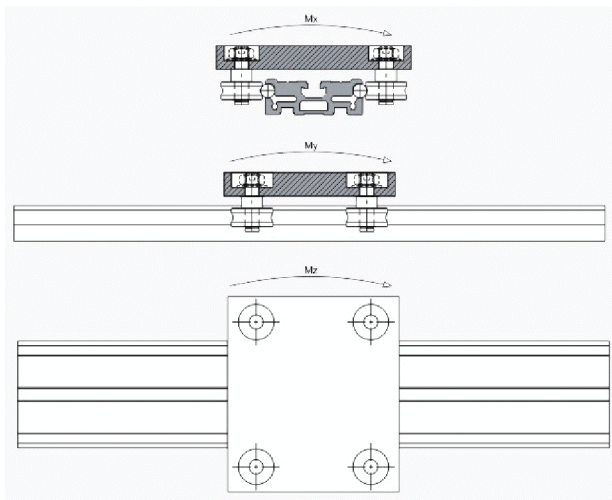
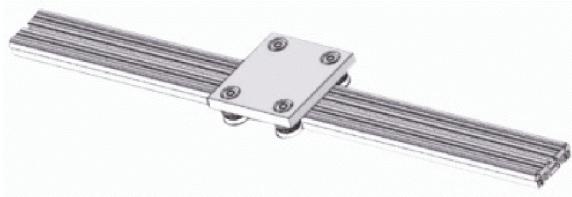
Shaft Support Ø25



Shaft Support Ø30



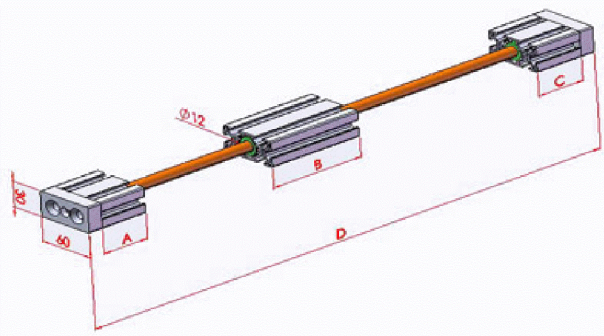
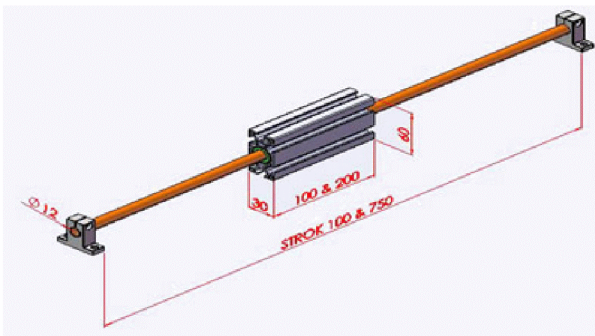
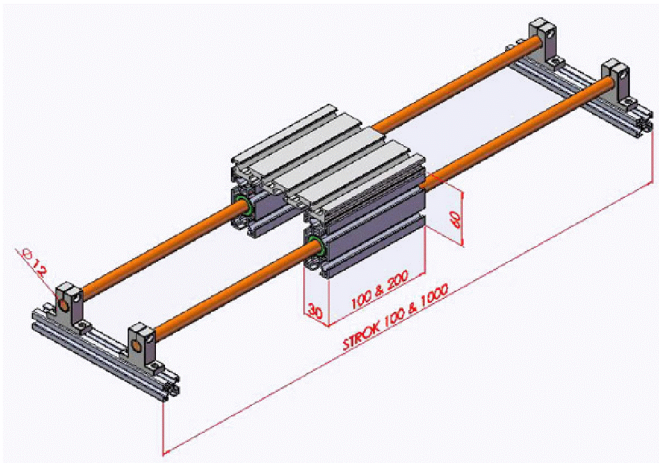
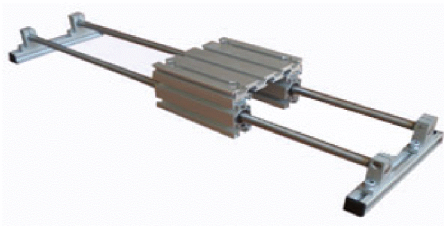
Values of Block Guide Systems



ROLLED BLOCK BEARING		LIMIT FORCES (N)		STATIC MOMENTS (Nm)		
PRODUCT	CODE	RADIAL FORCES (F_r)	AXIAL FORCES (F_a)	M_x	M_y	M_z
Ø12 ROLLED BLOCK BEARING	110-5201	2250	2240	200	240	410
Ø12 ROLLED BLOCK BEARING	110-202	2570	2560	227	274	475
Ø20 ROLLED BLOCK BEARING	115-202	4500	4480	387	480	855
Ø20 ROLLED BLOCK BEARING	115-203	9770	8960	506	698	1177
Ø20 ROLLED BLOCK BEARING	115-5206	11168	10240	576	798	1350

Guiding of Inside the Profile 30x60 Single Miles (Code:161)

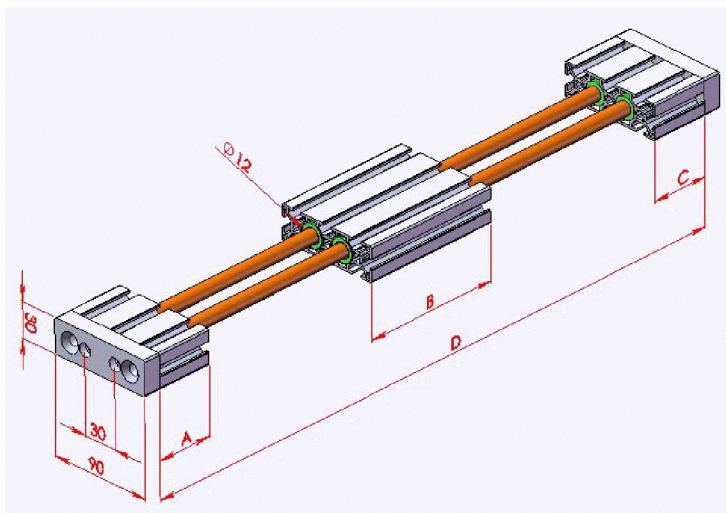
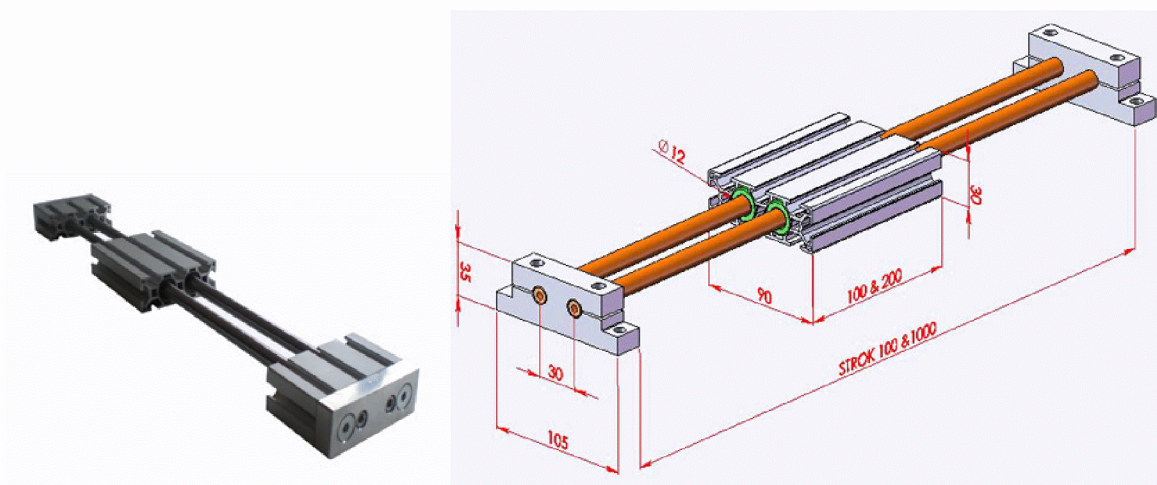
- Area of usage: Pneumatic and mechanical driving at the operation of lightly loaded
- Reading barcode, camera of moving, sensor moving etc.





Guiding of Inside the Profile 30x90 Double Miles(Code:163)

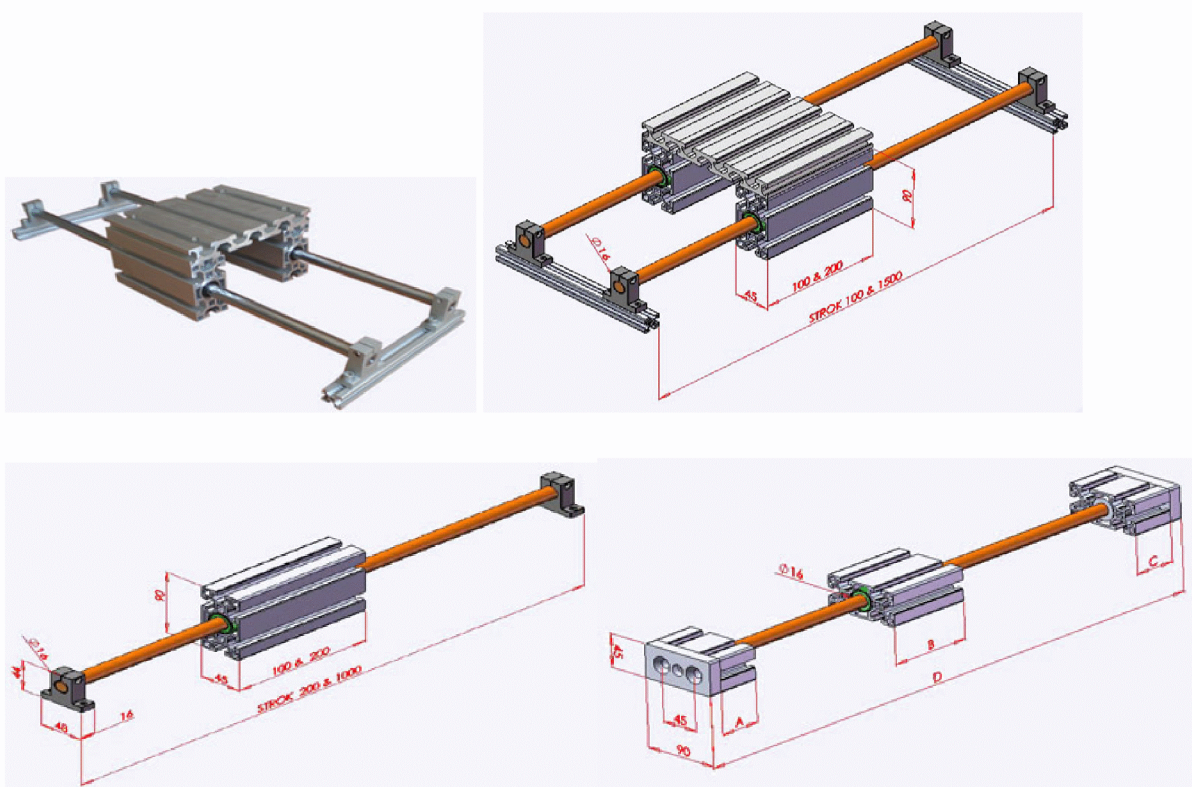
- Area of usage: Pneumatic and mechanical driving at the operation of lightly loaded.
- Reading barcode, camera of moving, sensor moving etc.





Guiding of Inside the Profile 45x90 Single Miles(Code:162)

- Area of usage: Pneumatic and mechanical driving at the operation of lightly loaded.
- Reading barcode, camera of moving, sensor moving etc

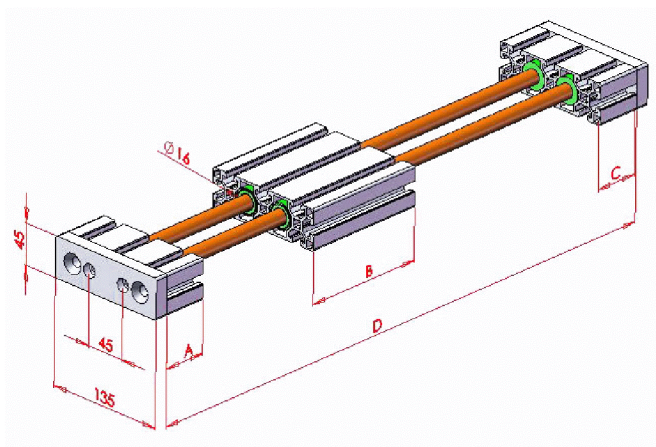
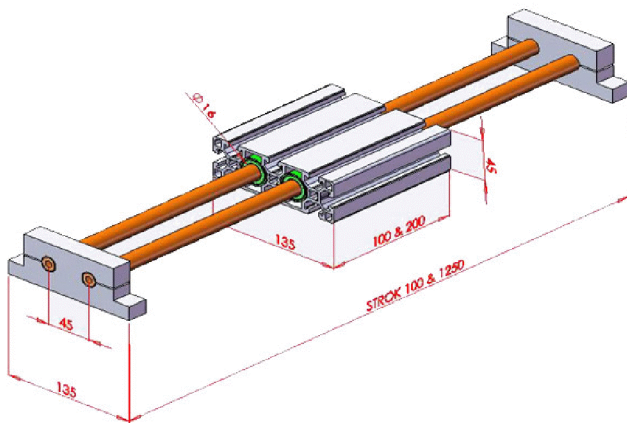


45x90 Profil İçi Yataklama				
KOD	A	B	C	D
162	50	100	50	600
162-A	50	140	50	800
162-B	60	180	60	1000



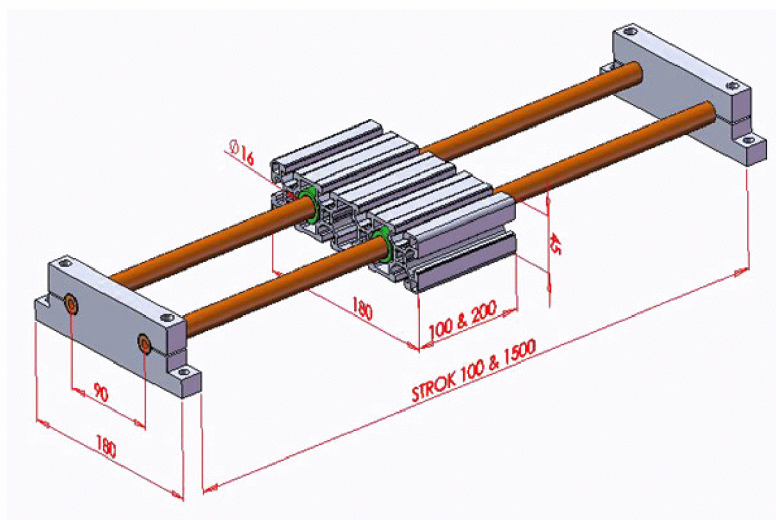
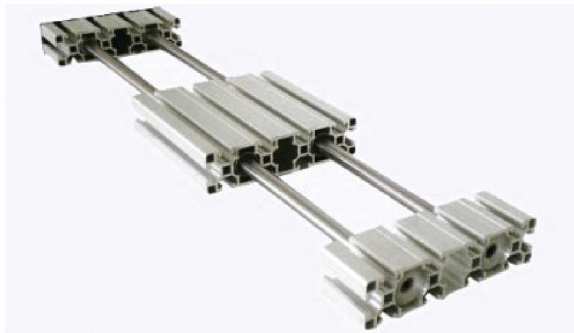
Guiding of Inside the Profile 45x135 Double Miles (Code:164)

- Area of usage: Pneumatic and mechanical driving at the operation of lightly loaded.
- Generally for unit of transfer, body connection on the laser head, sensor-photocell mover



Guiding of Inside the Profile 45x180 Double Miles (Code:165)

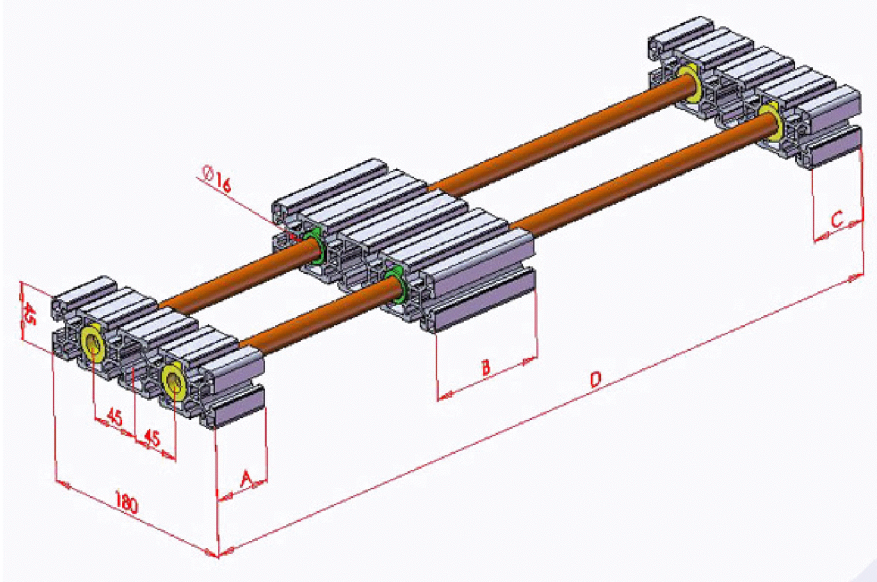
- Area of usage: Pneumatic and mechanical driving at the operation of lightly loaded.
- Generally for unit of transfer, body connection on the laser head, sensor-photocell mover



EL

News

Electrolux
Macedonia
Palenzo

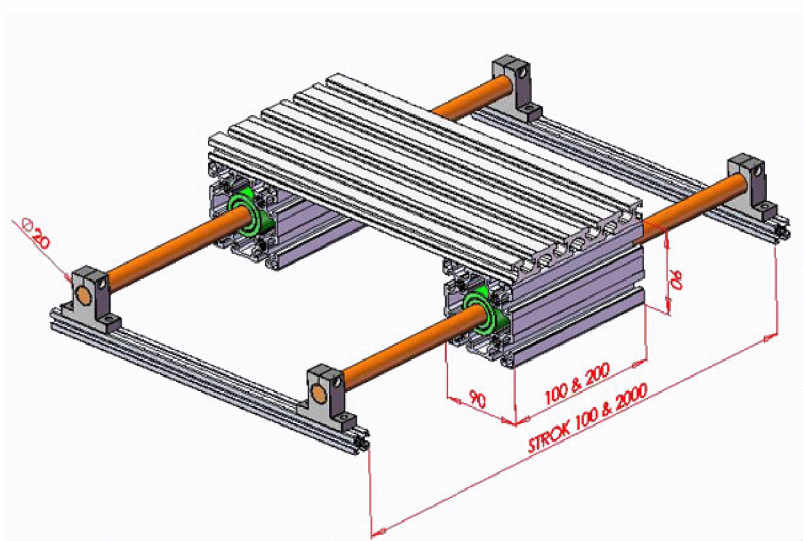
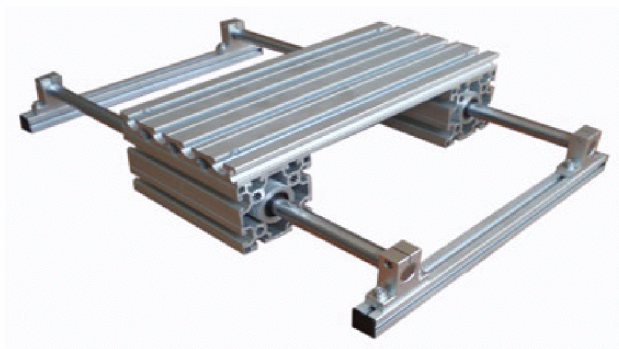


45x180 Ø16 PROFİL İÇİ YATAKLAMA				
KOD	A	B	C	D
165	50	100	50	800
165-A	50	140	50	1000
165-B	60	180	60	1200



Guiding of Inside the Profile 90x90 Single Miles (Code:160)

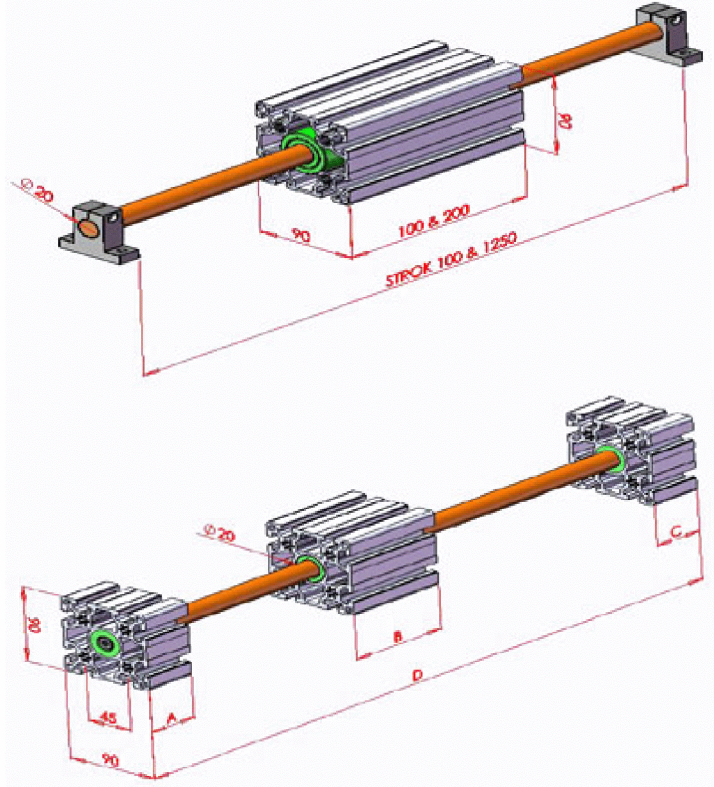
- Area of usage: Pneumatic and mechanical driving at the operation of lightly loaded.
- Generally for unit of transfer, body connection on the laser head, sensor-photocell mover



EL

News

Електролюкс
Electrolux
Macedonia
Palenzo



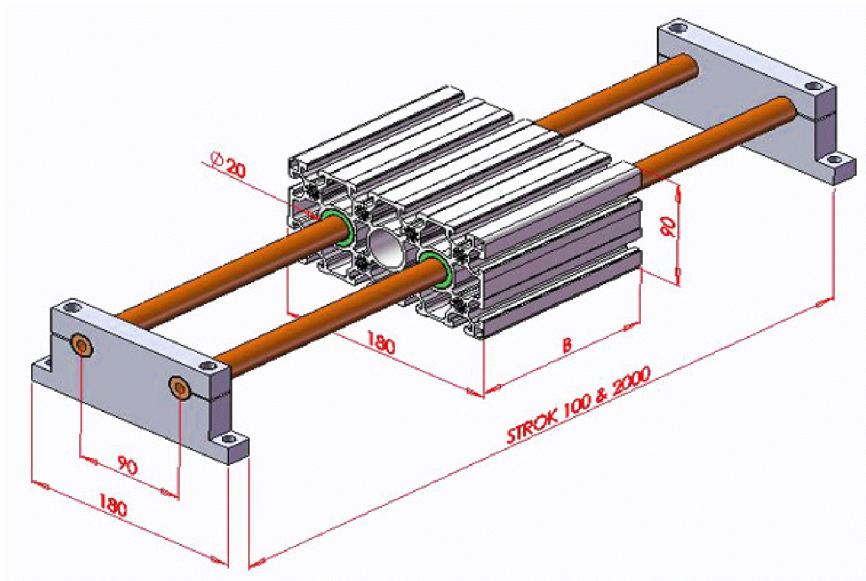
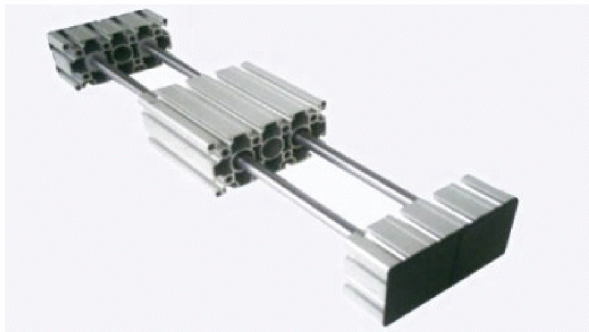
	90x90 Ø20 PROFİL İÇİ YATAKLAMA			
KOD	A	B	C	D
160	50	100	50	800
160-A	50	140	50	1000
160-B	60	180	60	1200



Guiding of Inside the Profile 90x180 Double Miles (Code:170)

Area of usage: Pneumatic and mechanical driving at the operation of lightly loaded.

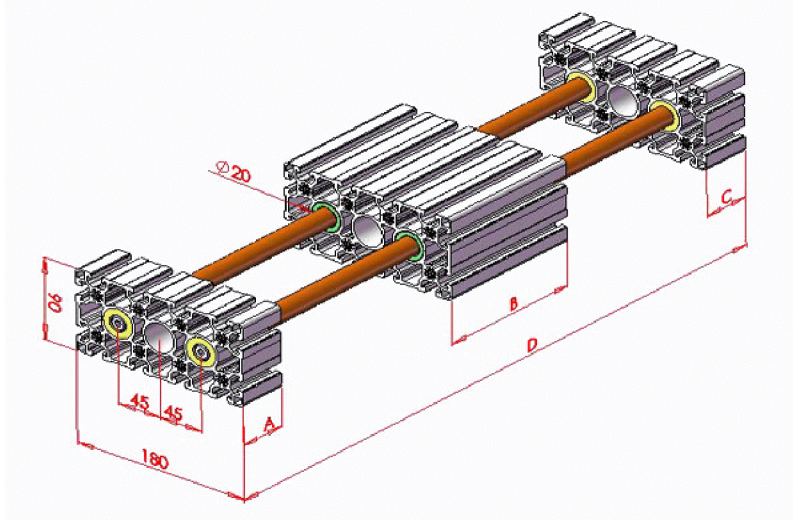
Generally for Y axis of CNC chasis, application of CNC bridge, body of connection in the laser head



EL

News

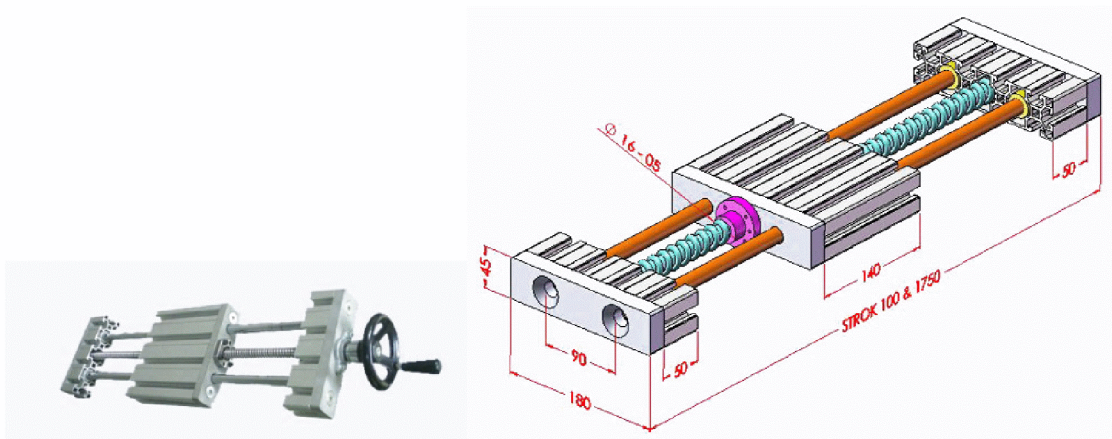
Електролюкс
Electrolux
Macedonia
Palenzo



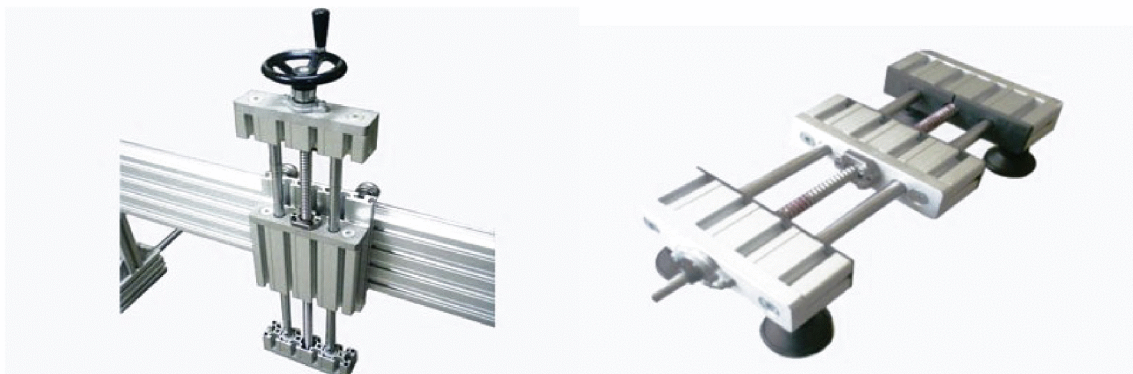


Screw Guiding of Inside the Profile 45x180 (Code:180)

- It can be used for styrofoam cutting machines and creating with Z axis of CNC and Plasma machines.



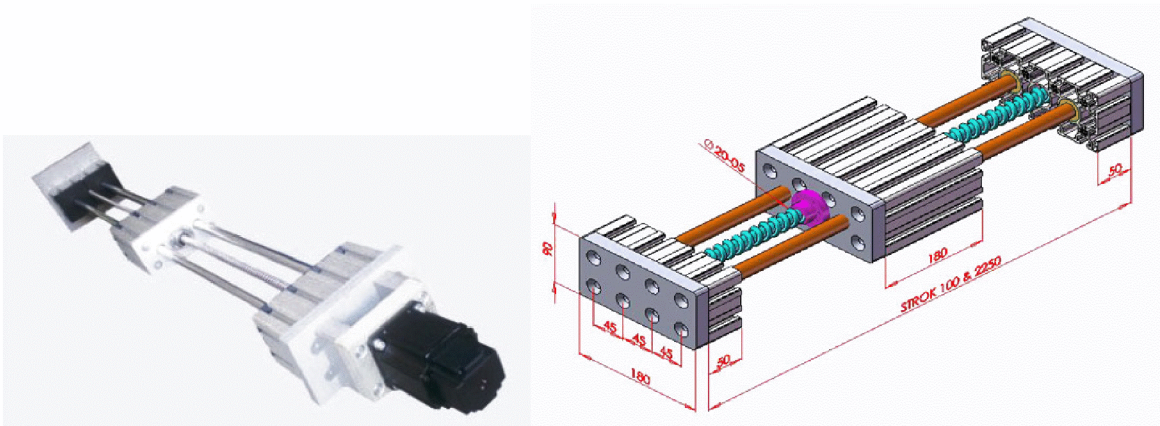
Product Practice



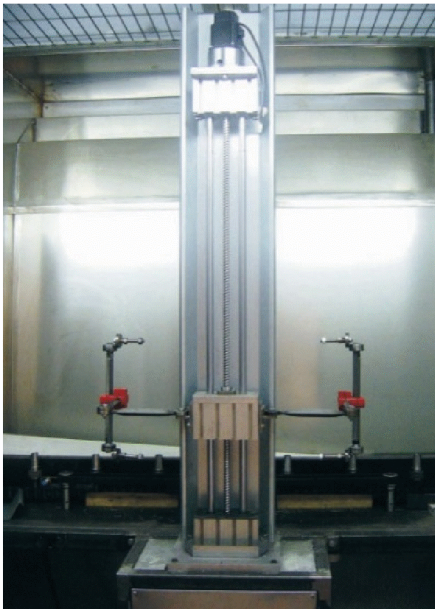


Screw Guiding of Inside the Profile 90x180 (Code:185)

- It can be used for styrofoam cutting machines and creating with Z axis of CNC and Plasma machines besides painting machines to carrying of spray gun



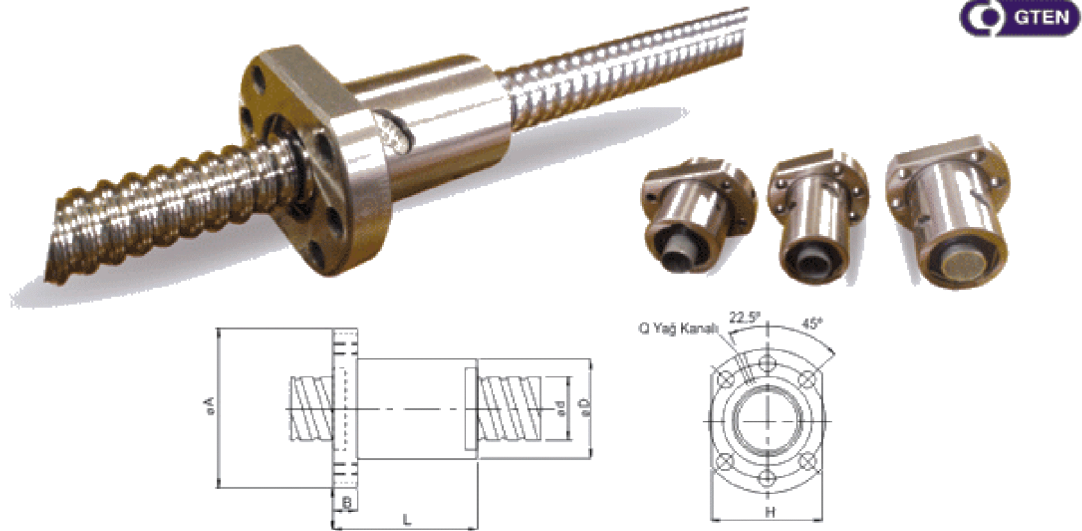
Product Practice





Ball Screws and Nuts (Code:111-LNR)

...

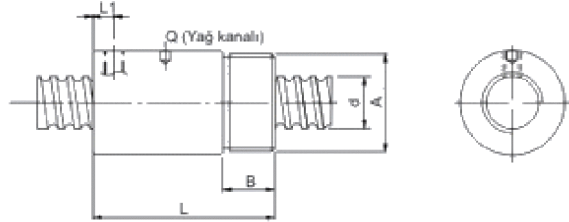


Vidalı Mil Ürün Kodu	Flanşlı Somun Ürün Kodu	RM Serisi Vidalı Mil ve FSU Serisi Flanşlı Somun Ölçüleri								
		d	Hatve	Bilya Çapı	D	A	B	L	H	Q
RM 1605	1605 FSU	16	5	3,175	28	48	10	42	40	M6
RM 2005	2005 FSU	20	5	3,175	36	58	10	53	44	M6
RM 2505	2505 FSU	25	5	3,175	40	62	10	53	48	M6
RM 2510	2510 FSU	25	10	4,762	40	62	12	85	48	M6
RM 3205	3205 FSU	32	5	3,175	50	80	12	53	62	M6
RM 3210	3210 FSU	32	10	6,35	50	80	16	74	62	M6

EL

News

Електролюкс
Electrolux
Macedonia
Palenzo

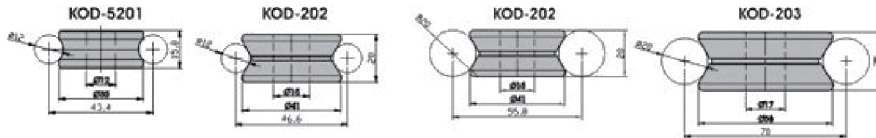
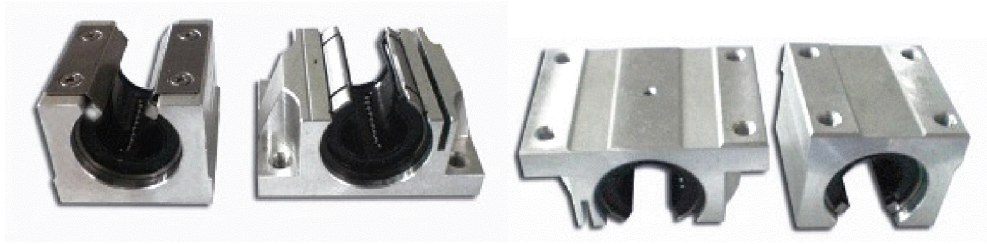


RM Serisi Vidalı Mil ve RSU Serisi Silindirik Somun Ölçüleri

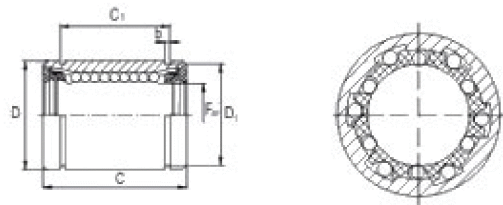
Vidalı Mil Ürün Kodu	Silindirik Somun Ürün Kodu	Çap(d)	Hatve	Bilya çapı	Somun				
					L	B	A	L1	Q
RM 1605	1605 RSU	16	5	3,175	56	16	M30 x 1,5 P	6,5	M6
RM 2005	2005 RSU	20	5	3,175	59,5	16,5	M35 x 1,5 P	7	M6
RM 2505	2505 RSU	25	5	3,175	60	17	M40 x 1,5 P	7	M6
RM 2510	2510 RSU	25	10	4,762	90	17	M40 x 1,5 P	10	M6
RM 3205	3205 RSU	32	5	3,175	60	19	M48 x 1,5 P	7	M6
RM 3210	3210 RSU	32	10	6,35	93	19	M48 x 1,5 P	12	M6

Bearings

- Provide sliding ability to Ø12-Ø20 induction shafts.



Not: Yataklama rulmanlarına göre farklı boylarda saplamalar mevcuttur.



SBC

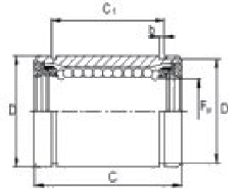
Lineer Rulmanlar Ölçü Tablosu (mm)								
Ürün Kodu	Mil Çapı	Ağırlık kg/m	Fw Toleranslar	D h5	C h12	D1	b	C, h13
SB 12 UU	12	0,04	12 ^{-0,004}	22	32	21	1,3	22,6
SB 16 UU	16	0,03	16 ^{-0,004}	26	36	24,9	1,3	24,6
SB 20 UU	20	0,09	20 ^{-0,004}	32	45	30,3	1,6	31,2

EL

News

Електролюкс
Electrolux
Macedonia
Palenzo

SBC



Yarıklı Lineer Rulmanlar Ölçü Tablosu (mm)

Ürün Kodu	Mil Çapı	Ağırlık kg/m	Fw Toleranslar	D h5	C h12	D1	b	C, h13
SBE 12 UUOP	12	0,03	12 ^{±0,016}	22	32	21	1,3	22,6
SBE 16 UUOP	16	0,04	16 ^{±0,020}	26	36	24,9	1,3	24,6
SBE 20 UUOP	20	0,07	20 ^{±0,026}	32	45	30,3	1,6	31,2

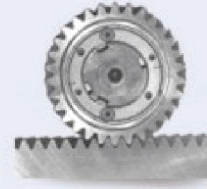
EL

News

Electrolux
Macedonia
Palenzo

Rack Gear and Pinions Finished

WMH HERION



Kremayer Dişli ve Pinyon Dişli Ölçü Tablosu

Ürün Kodu	Modül	L	b	h	Z pinyon
WMH 1,5	1,5	2000	15	13,30	25
WMH 2,0	2,0	2000	20	17,75	25
WMH 2,5	2,5	2000	25	22,25	25
WMH 3,0	3,0	2000	30	26,75	25
WMH 4,0	4,0	2000	40	35,70	25

EL

News

Electrolux
Macedonia
Palenzo

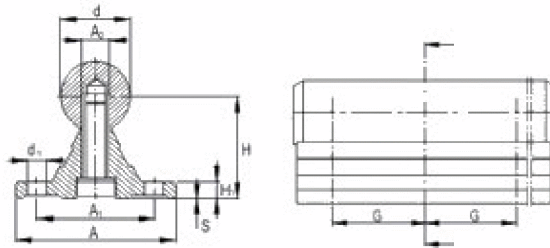
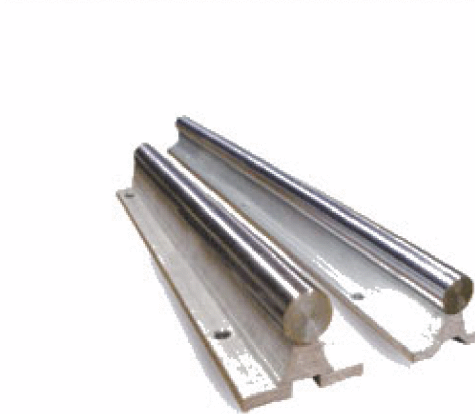
Shafts



CROMSTEEL

İndiksiyonlu Miller Ölçü Tablosu

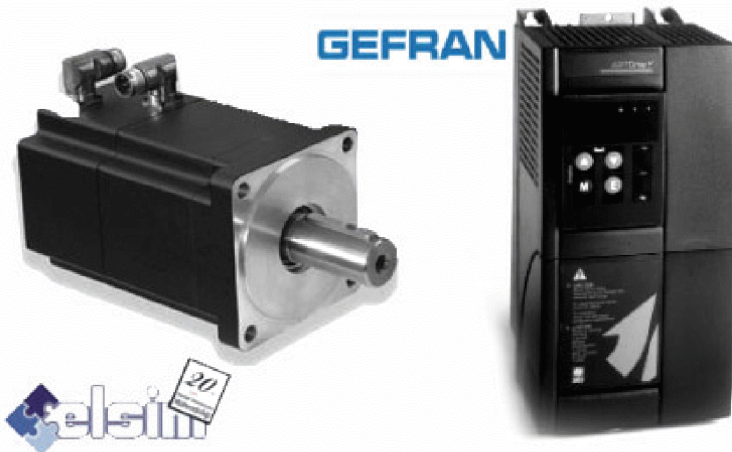
Ürün Kodu	Mil Çapı (d)	Ağırlık (kg/m)
W8-WWL	8	0,39
W12-WWL	12	0,89
W16-WWL	16	1,57
W20-WWL	20	2,45



Not: İstlenen boylarda üretimi mümkündür.

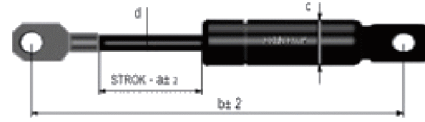
Mil (d)	Ürün Kodu	Ağırlık kg/m	Ölçüler							
			A	H	A ₂	H ₁	d ₁	A ₁	S	G
16	170 - 16	0,72	45	26±0,1	6,8	5	5,5	33	0,2	100
20	170 - 20	1,28	52	32±0,1	7,8	6	6,6	37	0,2	100

Other Equipments



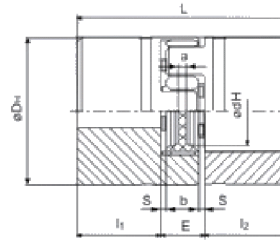
EL

News

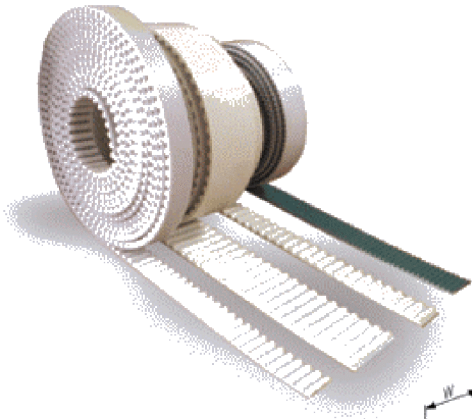
Electrolux
Macedonia
Palenzo

Amortisör Ölçü Tablosu					
Ürün Kodu	Strok a(mm)	b (mm)	c (mm)	d (mm)	F (N)
A 107	150	422	21	10	450 N
A 153	105	285	18	8	300 N
A 169	85	265	21	10	250 N

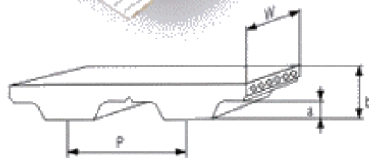
Not: Farklı strok ve kuvvetlerde amortisör imalatı yapılabilir



Ürün Kodu	Rotex Kaplinler İçin Ölçüler								
	D _u	d _u	L	l ₁	l ₂	E	b	s	a
Rotex Gs14	30	10,5	35	11	13	10	1,5	2	
Rotex Gs19	40	18	66	25	16	12	2	3	
Rotex Gs24	55	27	78	30	18	14	2	3	



MEGADYNE

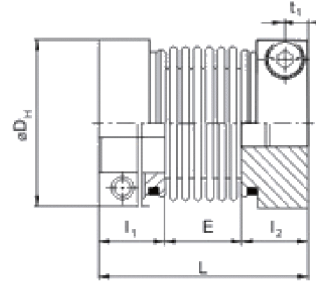


Ürün Kodu		Triger Kayış Ölçü Tablosu		
		T5	T10	5M
Hatve	(p)mm	5	10	5
Diş Yüksekliği	(a)mm	1,2	2,5	2
Kayış Kalınlığı	(b)mm	2,2	4,5	3,8
Bant Genişliği	(w)mm	16	25	30

EL

News

Electrolux
Macedonia
Palenzo



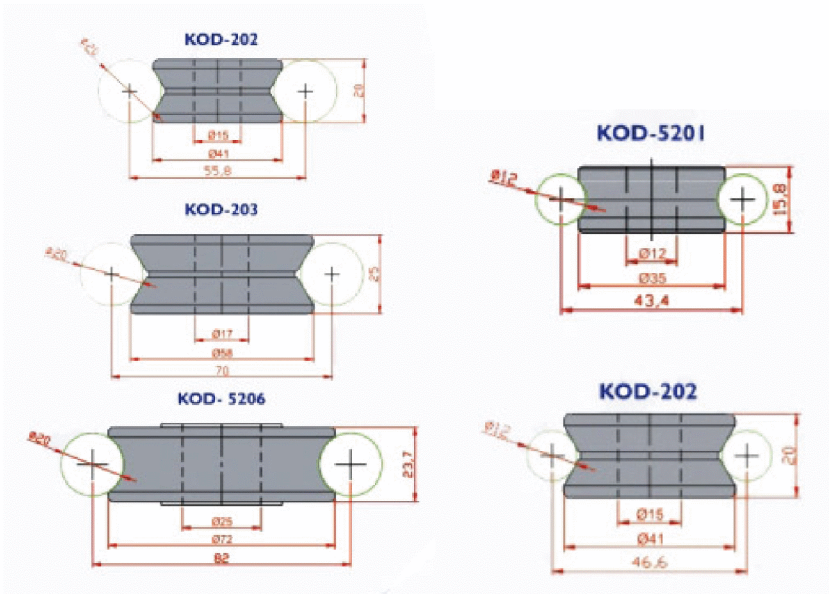
Ürün Kodu	TOOLFLEX KAPLINLER İÇİN ÖLÇÜLER					
	L	I ₁	I ₂	E	D _n	t1
Toolflex 16 M	49	17		15	32	5
Toolflex 20 M	62	21,5		19	40	6

EL

News

Electrolux
Macedonia
Palenzo

Bearing Rollers

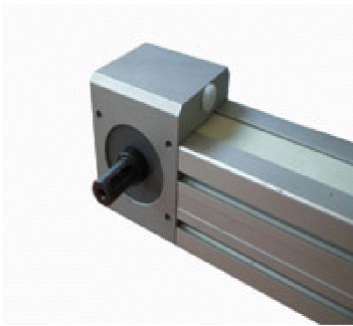


Ø20 MİLLERDE RULMAN KULLANIM ÇİZELGESİ				
KOD	KOD 111	KOD 131	KOD 135	KOD 140
5206	○	×	×	○
203	○	○	○	○
202	○	○	○	○

Ø12 MİLLERDE RULMAN KULLANIM ÇİZELGESİ					
KOD	KOD 110	KOD 120	KOD 125	KOD 130	KOD 136
5201	○	○	○	○	○
202	○	○	○	○	○



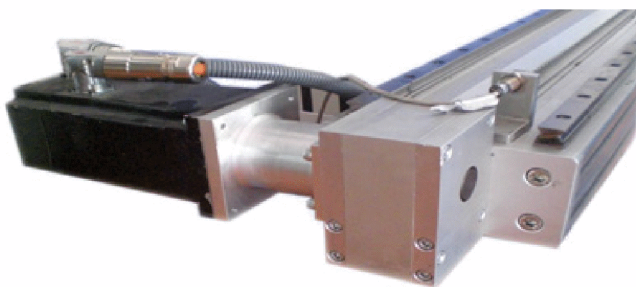
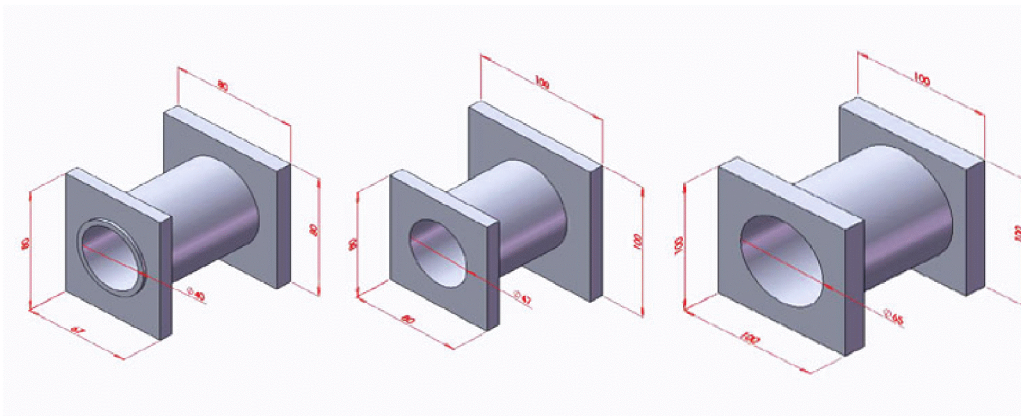
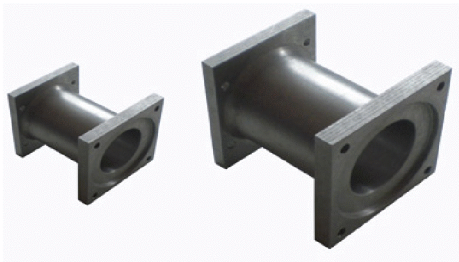
Compact Triger Head

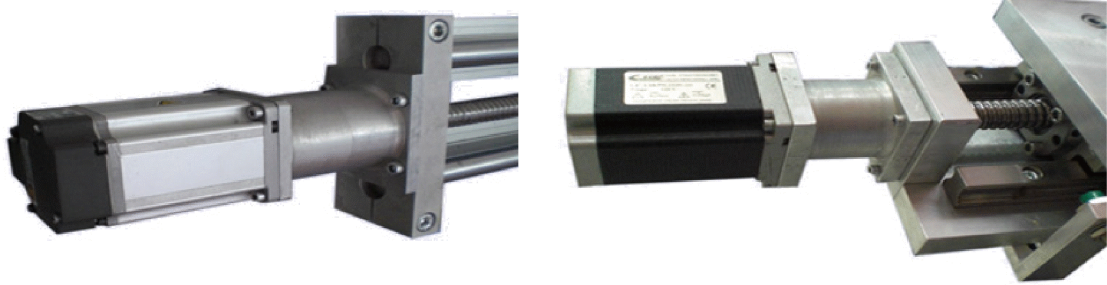
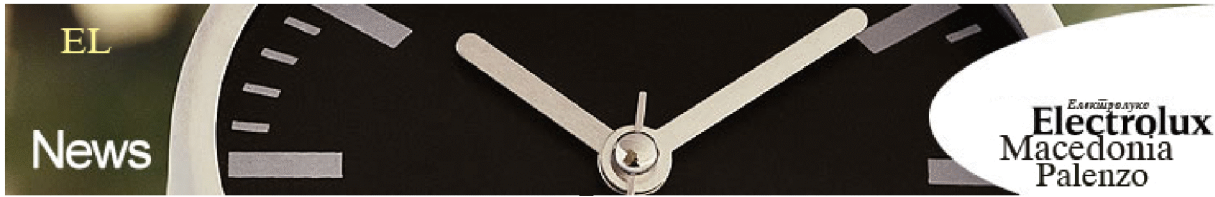




Connection Flange of Motors

- It is possible assembled linear motion module to motors of stepper, servo and redictor with the Motor connection flange
- Various size of standard flanges are available up to 3 different motor body



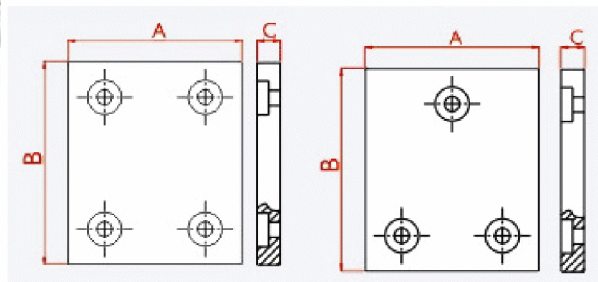
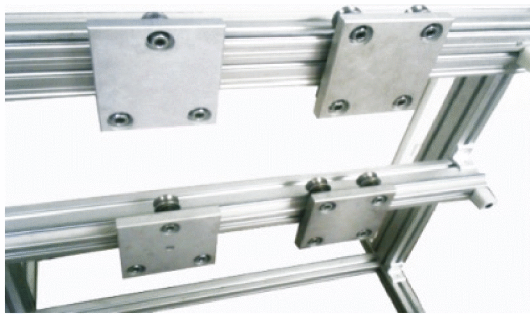




Linear Motion Plates

- Allow movement to the roller linear motion
- Plate Types

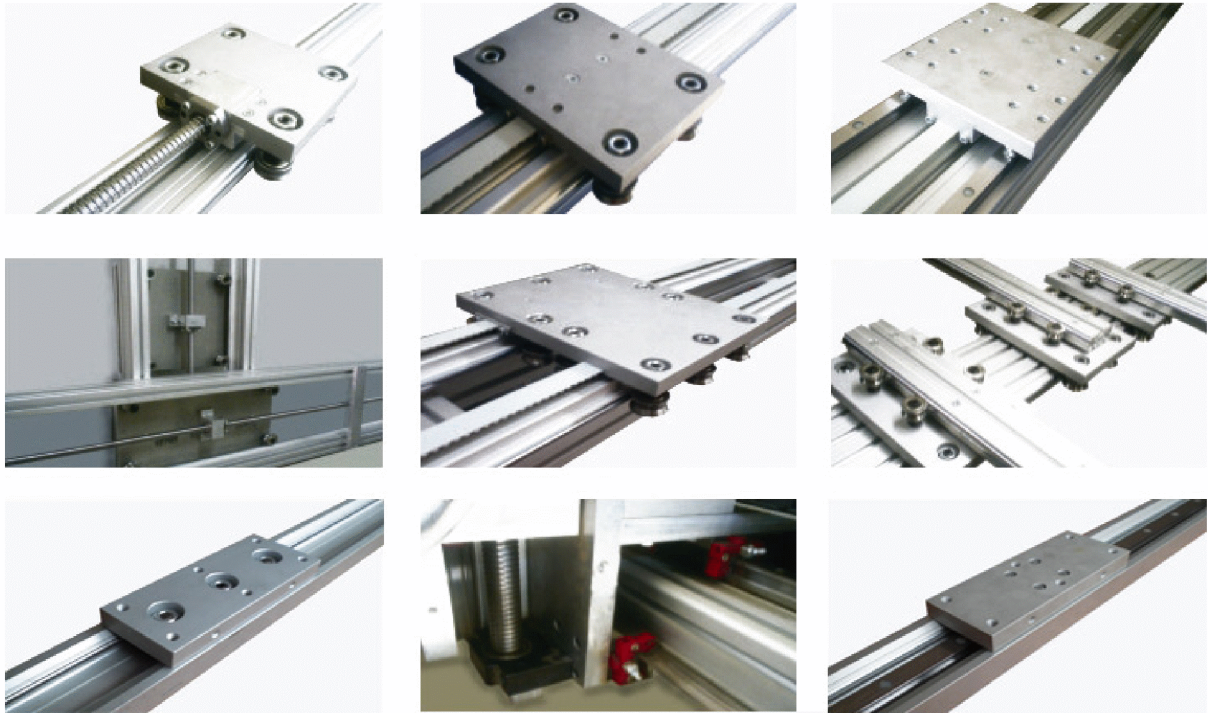
- a) Plate of standard type(4 rollers)
- b) Plate of standard type(4 rollers)
- c) Plate of ball screw modul(4 rollers)
- d) Rollers of special type.(6rollers)
- e) Special Type Dual Axis Parallel Plate (10 Rollers)
- f) Special Type 2 Axis Plates (8 reels)
- g) Variable Size Plates (Variable)
- h) Flat Plate in Linear Module
- i) 90° Linear Module Plates
- k) Assist Plates of on the guide



Ø20 BLOK VE MODÜL PLAKALARI					Ø12 BLOK VE MODÜL PLAKALARI				
KOD	PARÇA ADI	A	B	C	KOD	PARÇA ADI	A	B	C
I11-5206-PL	BLOK YATAK PLAKASI	245	215	25	I10-5201-PL	BLOK YATAK PLAKASI	145	165	20
I11-202-PL	BLOK YATAK PLAKASI	185	165	20	I10-202-PL	BLOK YATAK PLAKASI	155	170	20
I11-203-PL	BLOK YATAK PLAKASI	215	185	20	I20-202-PL	45x45 MODÜL PLAKASI	155	155	20
I35-202-PL	90x90 MODÜL PLAKASI	165	220	20	I20-5201-PL	45x45 MODÜL PLAKASI	150	150	20
I35-203-PL	90x90 MODÜL PLAKASI	185	250	25	I25-202-PL	45x60 MODÜL PLAKASI	150	170	20
I40-202-PL	90x180 MODÜL PLAKASI	200	310	20	I25-5201-PL	45x60 MODÜL PLAKASI	145	165	20
I40-203-PL	90x180 MODÜL PLAKASI	230	340	25	I30-202-PL	45x90 MODÜL PLAKASI	155	155	20
I40-5206-PL	90x180 MODÜL PLAKASI	250	365	25	I30-5201-PL	45x90 MODÜL PLAKASI	155	155	20
					I36-5201-PL	90x90 MODÜL PLAKASI	160	195	20
					I36-202-PL	90x90 MODÜL PLAKASI	165	205	20



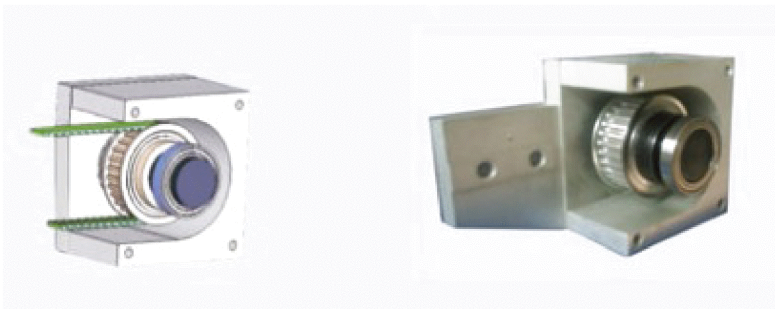
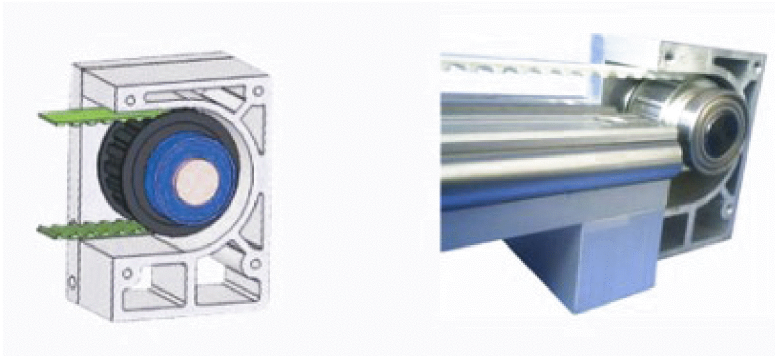
Product Practice





Module Triger Head

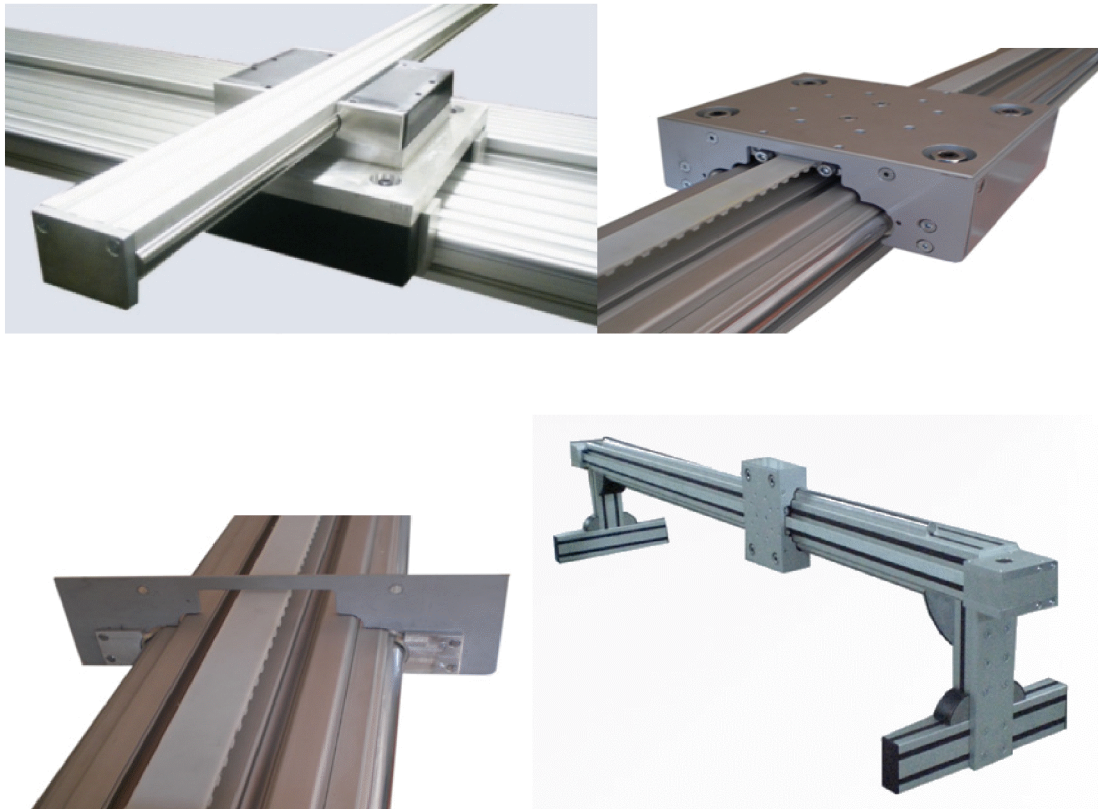
- Module Triger Head (Bigger)(Smaller):
- Provide movement to trigger with double-row roller
- Optional motor connection





Savers of the Guide

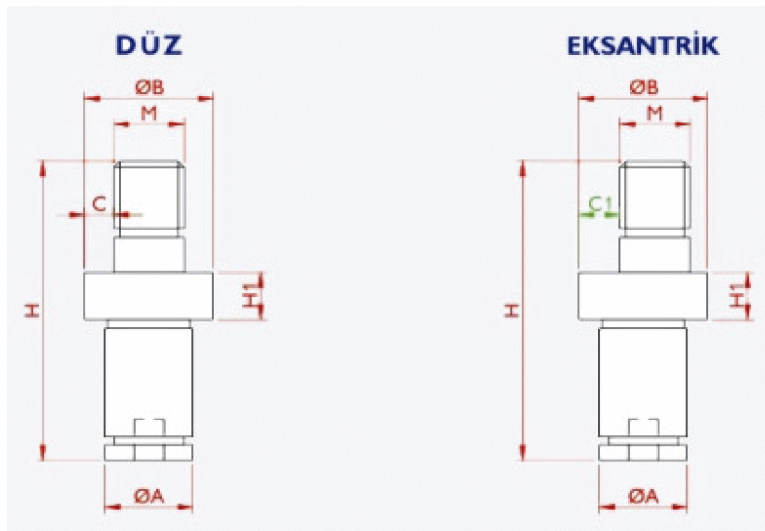
- An aesthetich appearance.
- Protection of roller which in linear motion system. It protect the rollers which used in linear motion systems,for can damage from external factors for this reason it closes the guiding group.
- Protection of roller which in linear motion system
- It can be used for grease of $\varnothing 12$ and $\varnothing 20$ indiction miles to prevents oxidations
- By vanishing it provides clean surface so long-term guiding precision occur





Straight and Eccentric Stud

- Provide to plates work on mutual axial



DÜZ - EKSANTRİK SAPLAMALAR								
KOD	ØA	ØB	H1	H	M	C	C1	RULMAN KULLANIMI
SA1	Ø17	Ø25	11	64	M16	4.5	7	KOD-203
SA2	Ø15	Ø22	14	57	M12	5	7	KOD-202
SA3	Ø25	Ø37	10.6	64.3	M16	10.5	13	KOD-5206
SA4	Ø15	Ø22	20.5	63.5	M12	5	7	KOD-202
SA5	Ø12	Ø20	10.1	48.9	M12	4	6	KOD-5201
SA6	Ø15	Ø22	8	57	M12	5	7	KOD-203
SA7	Ø12	Ø20	22.6	61.4	M16	4	6	KOD-5201
SA8	Ø17	Ø25	18	71	M12	4.5	7	KOD-203
SA9	Ø25	Ø35	17.8	71.3	M16	9.5	12.5	KOD-5206