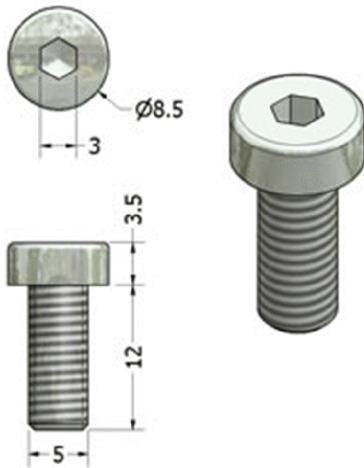


# M5x12 Socket Head Cap Screw

Part. N° 21.1220



## APPLICATIONS

- Fasten parts less than 1.5mm(1/16") thick to t-slots

- Closest inch screw                      10-32

-  $\varnothing 5\text{mm}$  =                                      .197 inches

- Length 12mm =                                      .472 inches



TECHN. DATA / ITEMS SUPPLIED

- Steel, zinc plated

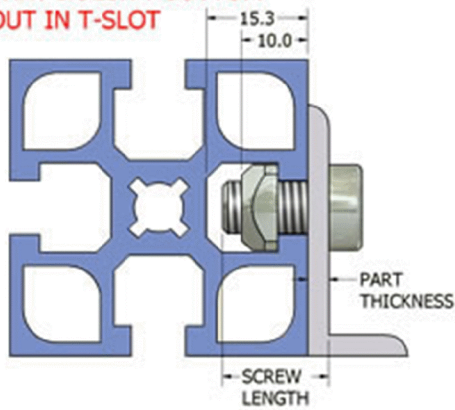
- Diameter 5 mm

- Length 12 mm

- Thread pitch .8 mm

- Hex drive 3 mm

**SELECT LONGEST SCREW  
THAT DOESN'T BOTTOM  
OUT IN T-SLOT**



ASSEMBLY

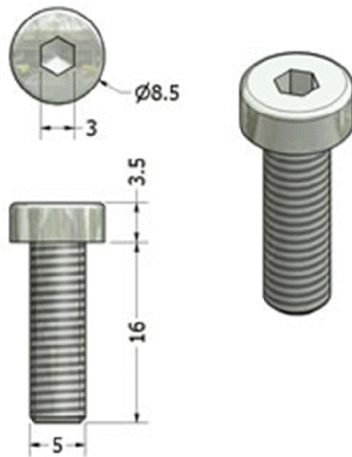
- Press M5 square nut into t-slot

- Insert screw thru clearance hole in part

- Tighten screw using 3mm hex key

# M5x16 Socket Head Cap Screw

Part. N° 21.1235



## APPLICATIONS

- Fasten parts 1.5mm-6mm (1/16in -1/4in) to t-slots

- Closest inch screw 10-32

-  $\varnothing 5\text{mm} = .197$  inches

- Length 16mm = .63 inches





TECHN. DATA / ITEMS SUPPLIED

- Steel, zinc plated

---

- Diameter 5 mm

---

- Length 16 mm

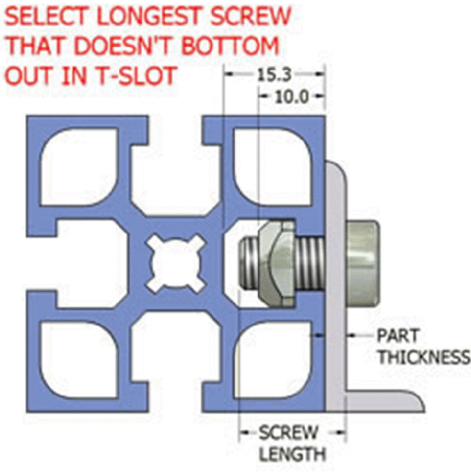
---

- Thread pitch .8 mm

---

- Hex drive 3 mm

---

ASSEMBLY

- Press M5 square nut into t-slot

---

- Insert screw thru clearance hole in part

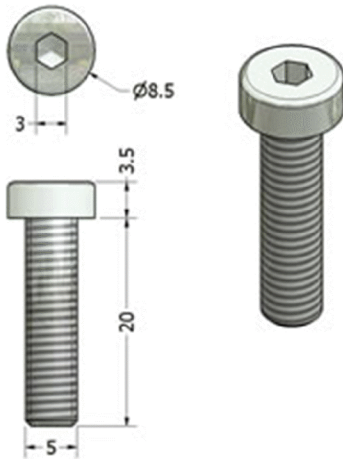
---

- Tighten screw using 3mm hex key

---

# M5x20 Socket Head Cap Screw

Part. N° 21.1222



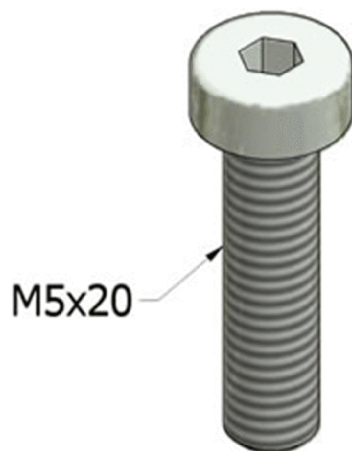
## APPLICATIONS

- Fasten parts 6mm-10mm (1/4in -3/8in) to t-slots

- Closest inch screw                      10-32

- Ø5mm =                                      .197 inches

- Length 20mm =                          .787 inches





TECHN. DATA / ITEMS SUPPLIED

- Steel, zinc plated

---

- Diameter 5 mm

---

- Length 20 mm

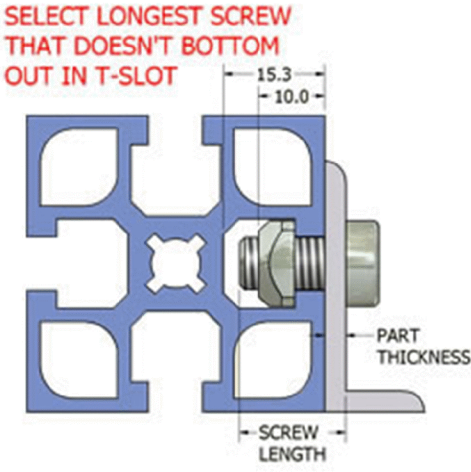
---

- Thread pitch .8 mm

---

- Hex drive 3 mm

---

ASSEMBLY

- Press M5 square nut into t-slot

---

- Insert screw thru clearance hole in part

---

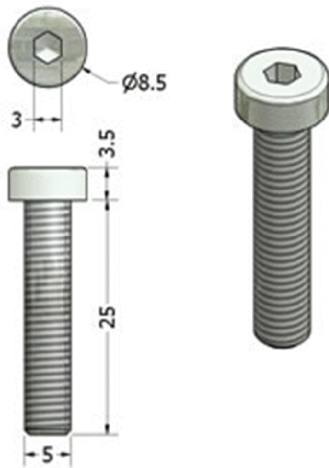
- Tighten screw using 3mm hex key

---



# M5x25 Socket Head Cap Screw

Part. N° 21.1224



## APPLICATIONS

- Fasten parts 10mm-15mm (3/8in -9/16in) to t-slots

- Closest inch screw	10-32
- Ø5mm =	.197 inches
- Length 25mm =	.984 inches





TECHN. DATA / ITEMS SUPPLIED

- Steel, zinc plated

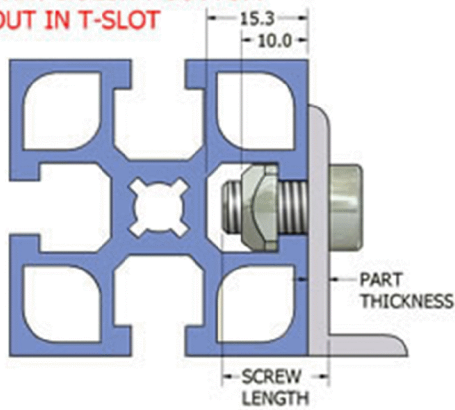
- Diameter 5 mm

- Length 25 mm

- Thread pitch .8 mm

- Hex drive 3 mm

**SELECT LONGEST SCREW THAT DOESN'T BOTTOM OUT IN T-SLOT**



ASSEMBLY

- Press M5 square nut into t-slot

- Insert screw thru clearance hole in part

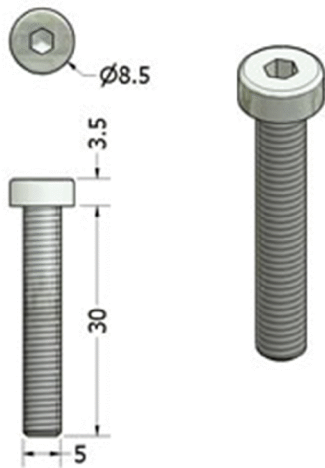
- Tighten screw using 3mm hex key





# M5x30 Socket Head Cap Screw

Part. N° 21.1237



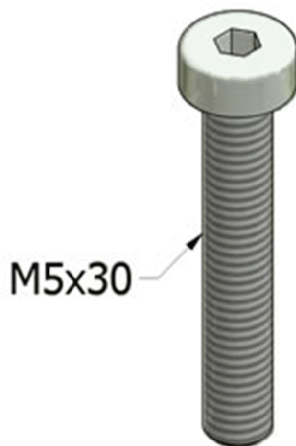
## APPLICATIONS

- Fasten parts 15mm-20mm (5/8in -3/4in) to t-slots

- Closest inch screw 10-32

- Ø5mm = .197 inches

- Length 30mm = .1.18 inches





TECHN. DATA / ITEMS SUPPLIED

- Steel, zinc plated

---

- Diameter 5 mm

---

- Length 30 mm

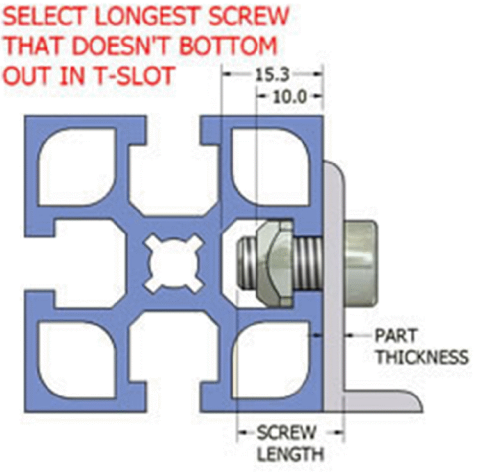
---

- Thread pitch .8 mm

---

- Hex drive 3 mm

---

ASSEMBLY

- Press M5 square nut into t-slot

---

- Insert screw thru clearance hole in part

---

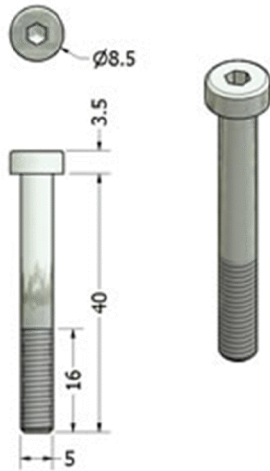
- Tighten screw using 3mm hex key

---



# M5x40 Socket Head Cap Screw

Part. N° 21.1284



## APPLICATIONS

- Fasten parts 25mm-30mm (1in-1-3/16in) to t-slots

- Closest inch screw	10-32
- $\varnothing 5\text{mm} =$	.197 inches
- Length 40mm =	.1.575 inches





TECHN. DATA / ITEMS SUPPLIED

- Steel, zinc plated

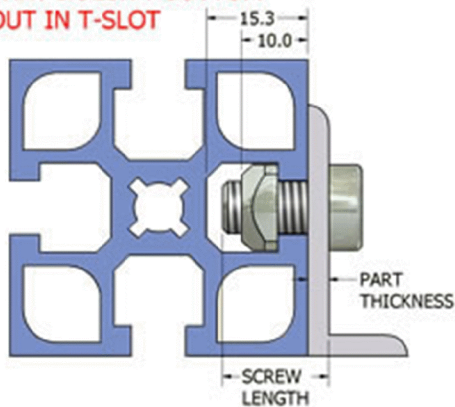
- Diameter 5 mm

- Length 40 mm

- Thread pitch .8 mm

- Hex drive 3 mm

**SELECT LONGEST SCREW THAT DOESN'T BOTTOM OUT IN T-SLOT**



ASSEMBLY

- Press M5 square nut into t-slot

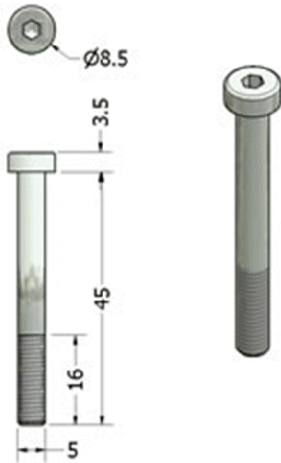
- Insert screw thru clearance hole in part

- Tighten screw using 3mm hex key



# M5x45 Socket Head Cap Screw

Part. N° 21.1219



## APPLICATIONS

- Fasten parts 30mm-35mm (1.25in - 1-3/8) to t-slots

- Closest inch screw 10-32

-  $\varnothing 5\text{mm} = .197$  inches

- Length 45mm = .1.772 inches





TECHN. DATA / ITEMS SUPPLIED

- Steel, zinc plated

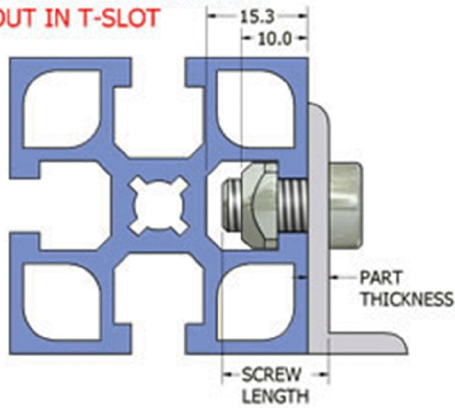
- Diameter 5 mm

- Length 45 mm

- Thread pitch .8 mm

- Hex drive 3 mm

**SELECT LONGEST SCREW THAT DOESN'T BOTTOM OUT IN T-SLOT**



ASSEMBLY

- Press M5 square nut into t-slot

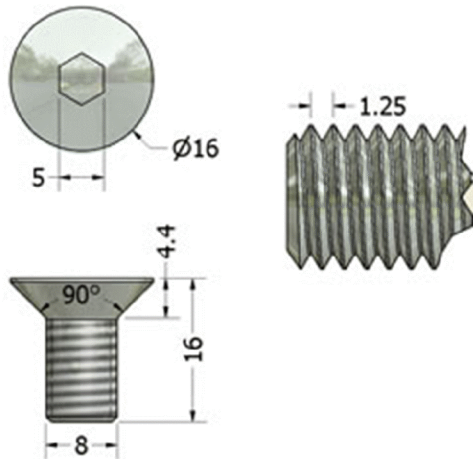
- Insert screw thru clearance hole in part

- Tighten screw using 3mm hex key



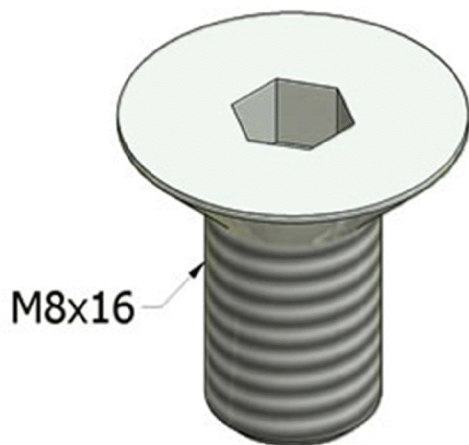
# M8x16 Countersunk Screw

Part. N° 21.1513



## APPLICATIONS

- Closest inch screw	5/16-18
- Ø8mm =	.315 inches
- Length 16mm =	.63 inches





TECHN. DATA / ITEMS SUPPLIED

- Steel, zinc plated

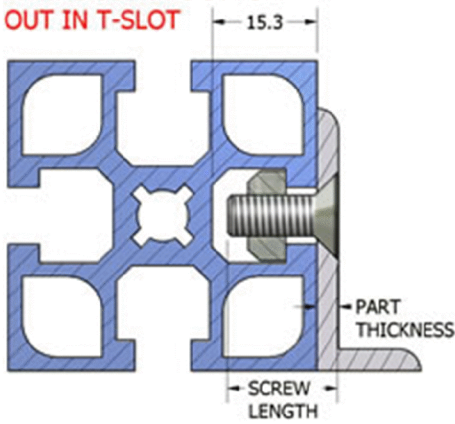
- Diameter 8 mm

- Length 16 mm

- Thread pitch 1.25 mm

- Hex drive 5 mm

**SELECT LONGEST SCREW THAT DOESN'T BOTTOM OUT IN T-SLOT**



ASSEMBLY

- Press M8 square nut into t-slot

- Insert screw thru hole in part

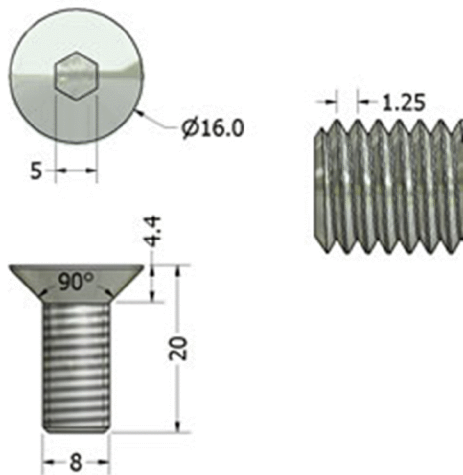
- Tighten screw using 5mm hex key





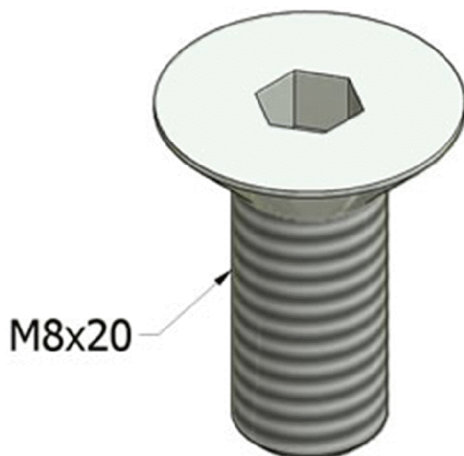
# M8x20 Countersunk Screw

Part. N° 21.1514



## APPLICATIONS

- Closest inch screw	5/16-18
- $\varnothing 8\text{mm}$ =	.315 inches
- Length 20mm =	.787 inches





TECHN. DATA / ITEMS SUPPLIED

- Steel, zinc plated

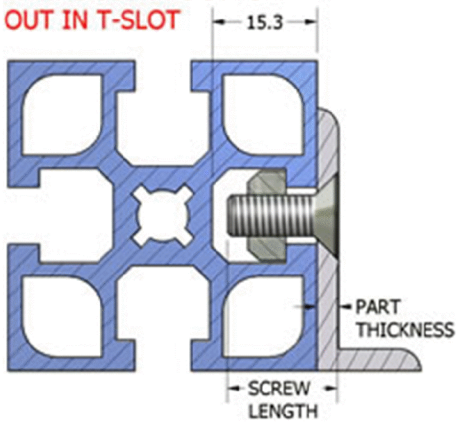
- Diameter 8 mm

- Length 20 mm

- Thread pitch 1.25 mm

- Hex drive 5 mm

**SELECT LONGEST SCREW THAT DOESN'T BOTTOM OUT IN T-SLOT**



ASSEMBLY

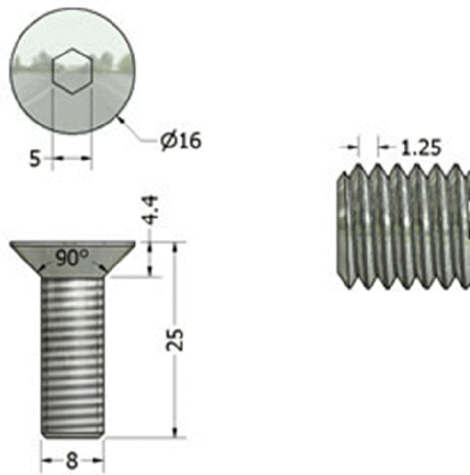
- Press M8 square nut into t-slot

- Insert screw thru hole in part

- Tighten screw using 5mm hex key

# M8x25 Countersunk Screw

Part. N° 21.1520



## APPLICATIONS

- Closest inch screw                      5/16-18

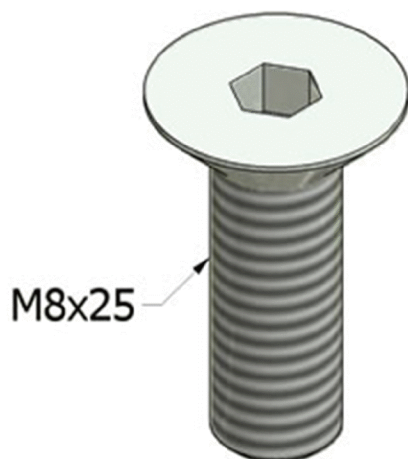
---

- Ø8mm =                                      .315 inches

---

- Length 25mm =                          .984 inches

---



TECHN. DATA / ITEMS SUPPLIED

- Steel, zinc plated

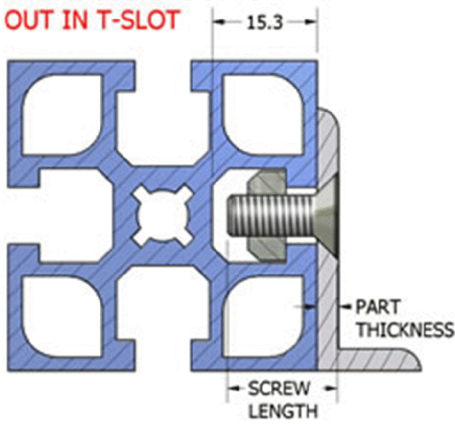
- Diameter 8 mm

- Length 25 mm

- Thread pitch 1.25 mm

- Hex drive 5 mm

**SELECT LONGEST SCREW THAT DOESN'T BOTTOM OUT IN T-SLOT**



ASSEMBLY

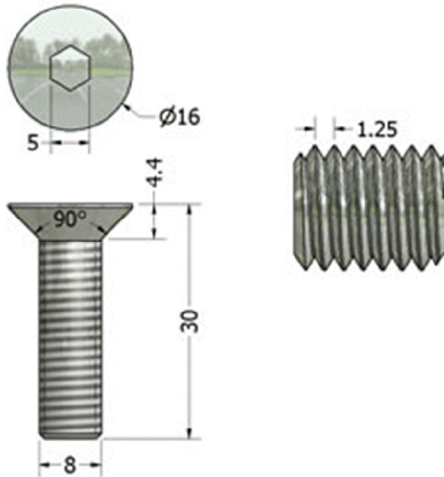
- Press M8 square nut into t-slot

- Insert screw thru hole in part

- Tighten screw using 5mm hex key

# M8x30 Countersunk Screw

Part. N° 21.1516



## APPLICATIONS

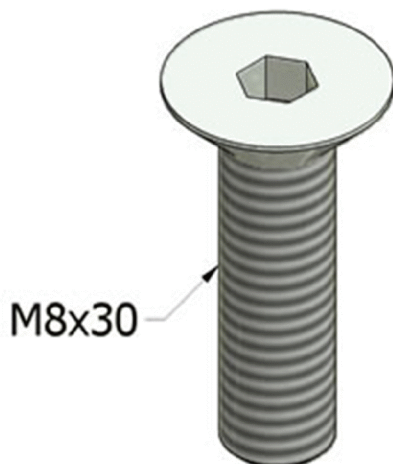
- Closest inch screw                      5/16-18

---

- $\varnothing 8\text{mm}$  =                                      .315 inches

---

- Length 30mm =                                1.18 inches





TECHN. DATA / ITEMS SUPPLIED

- Steel, zinc plated

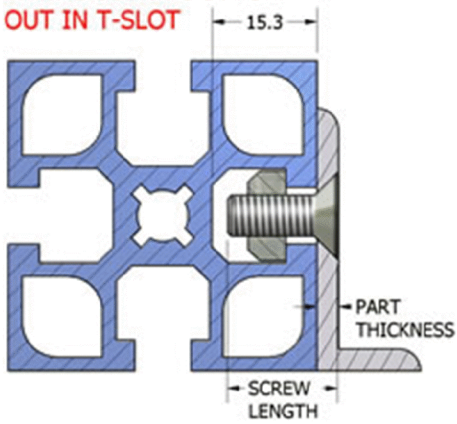
- Diameter 8 mm

- Length 30 mm

- Thread pitch 1.25 mm

- Hex drive 5 mm

**SELECT LONGEST SCREW THAT DOESN'T BOTTOM OUT IN T-SLOT**



ASSEMBLY

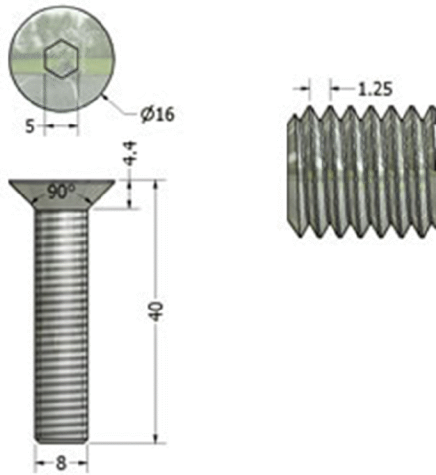
- Press M8 square nut into t-slot

- Insert screw thru hole in part

- Tighten screw using 5mm hex key

# M8x40 Countersunk Screw

Part. N° 21.1547



## APPLICATIONS

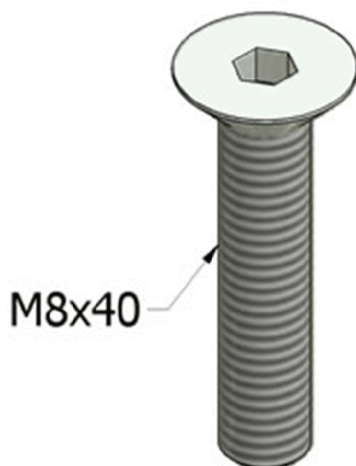
- Closest inch screw                      5/16-18

---

- Ø8mm =                                      .315 inches

---

- Length 40mm =                          1.575 inches





TECHN. DATA / ITEMS SUPPLIED

- Steel, zinc plated

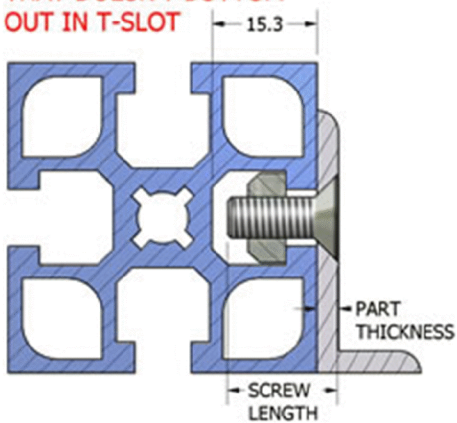
- Diameter 8 mm

- Length 40 mm

- Thread pitch 1.25 mm

- Hex drive 5 mm

**SELECT LONGEST SCREW THAT DOESN'T BOTTOM OUT IN T-SLOT**



ASSEMBLY

- Press M8 square nut into t-slot

- Insert screw thru hole in part

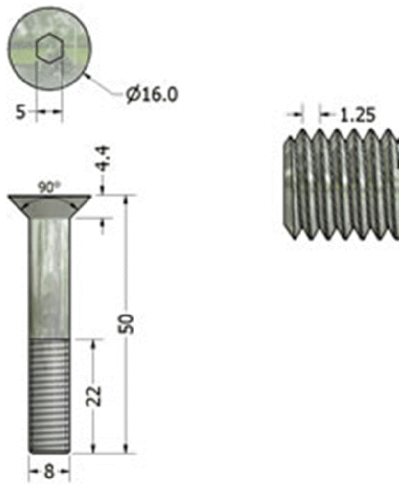
- Tighten screw using 5mm hex key





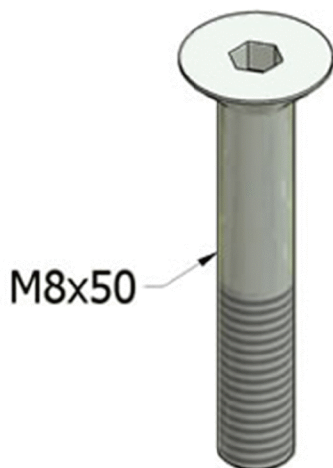
# M8x50 Countersunk Screw

Part. N° 21.1517



## APPLICATIONS

- Closest inch screw	5/16-18
- Ø8mm =	.315 inches
- Length 50mm =	1.969 inches





TECHN. DATA / ITEMS SUPPLIED

- Steel, zinc plated

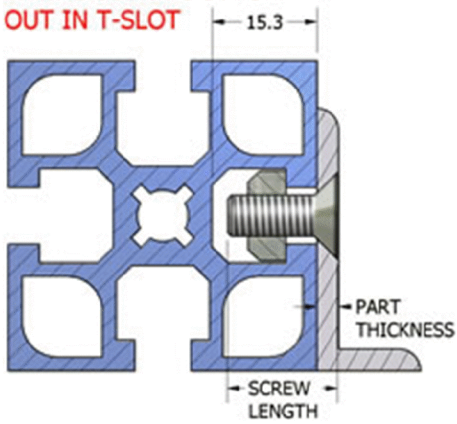
- Diameter 8 mm

- Length 50 mm

- Thread pitch 1.25 mm

- Hex drive 5 mm

**SELECT LONGEST SCREW THAT DOESN'T BOTTOM OUT IN T-SLOT**



ASSEMBLY

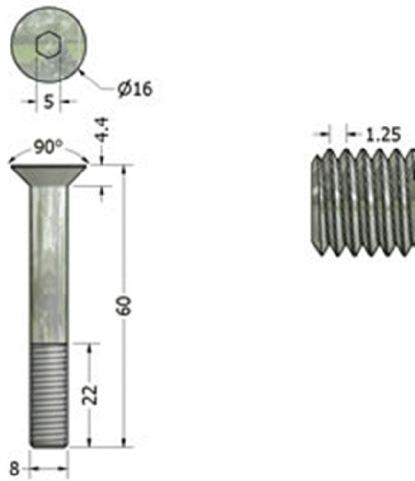
- Press M8 square nut into t-slot

- Insert screw thru hole in part

- Tighten screw using 5mm hex key

# M8x60 Countersunk Screw

Part. N° 21.1523



## APPLICATIONS

- Closest inch screw                      5/16-18

---

- Ø8mm =                                      .315 inches

---

- Length 60mm =                          2.36 inches





TECHN. DATA / ITEMS SUPPLIED

- Steel, zinc plated

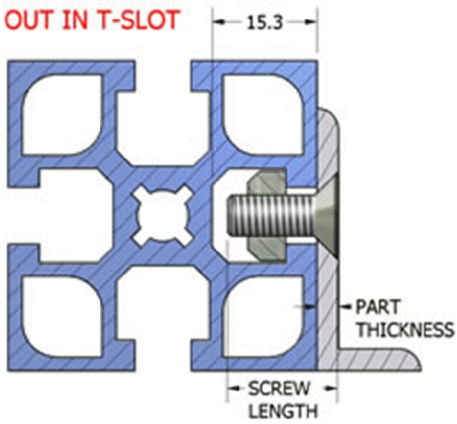
- Diameter 8 mm

- Length 60 mm

- Thread pitch 1.25 mm

- Hex drive 5 mm

**SELECT LONGEST SCREW THAT DOESN'T BOTTOM OUT IN T-SLOT**



ASSEMBLY

- Press M8 square nut into t-slot

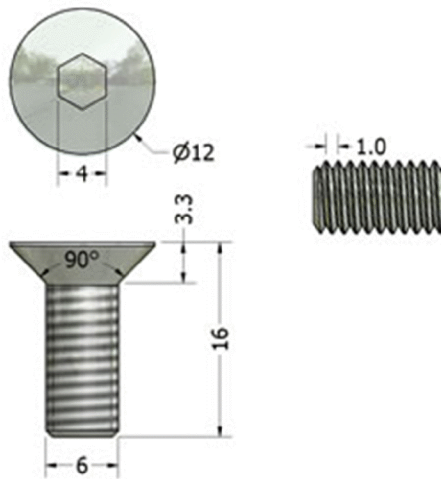
- Insert screw thru hole in part

- Tighten screw using 5mm hex key



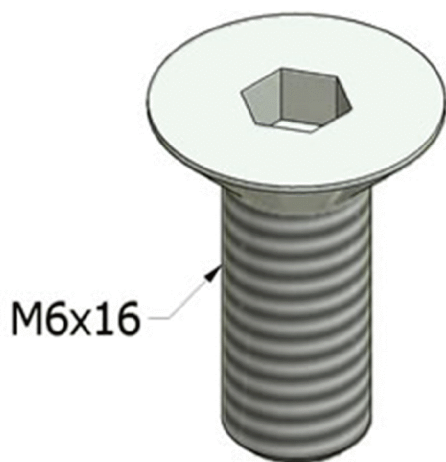
# M6x16 Countersunk Screw

Part. N° 21.1506



## APPLICATIONS

- Closest inch screw	1/4-20
- Ø6mm =	.236 inches
- Length 16mm =	.63 inches





TECHN. DATA / ITEMS SUPPLIED

- Steel, zinc plated

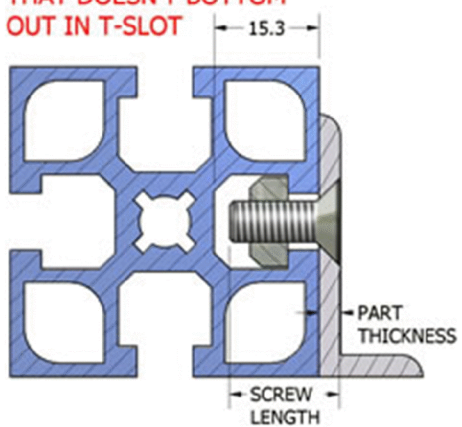
- Diameter 6 mm

- Length 16 mm

- Thread pitch 1.0 mm

- Hex drive 4 mm

**SELECT LONGEST SCREW THAT DOESN'T BOTTOM OUT IN T-SLOT**



ASSEMBLY

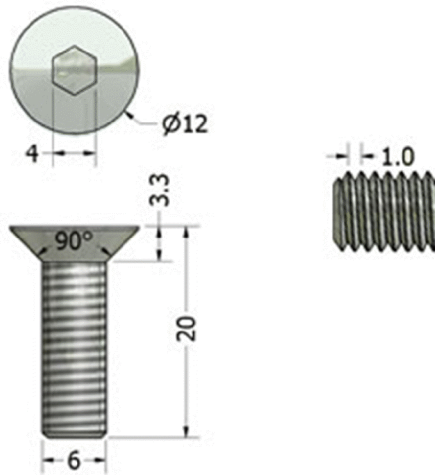
- Press M6 square nut into t-slot

- Insert screw thru hole in part

- Tighten screw using 4mm hex key

# M6x20 Countersunk Screw

Part. N° 21.1507



## APPLICATIONS

- Closest inch screw                      1/4-20

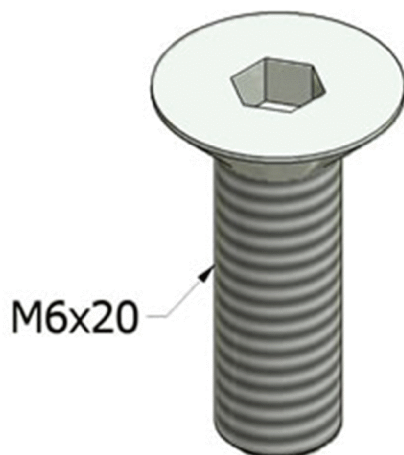
---

- Ø6mm =                                      .236 inches

---

- Length 20mm =                          .787 inches

---



TECHN. DATA / ITEMS SUPPLIED

- Steel, zinc plated

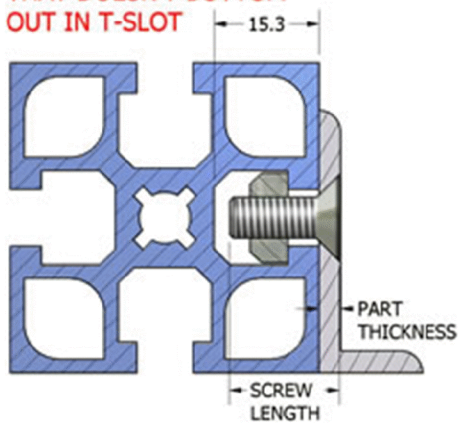
- Diameter 6 mm

- Length 20 mm

- Thread pitch 1.0 mm

- Hex drive 4 mm

**SELECT LONGEST SCREW THAT DOESN'T BOTTOM OUT IN T-SLOT**



ASSEMBLY

- Press M6 square nut into t-slot

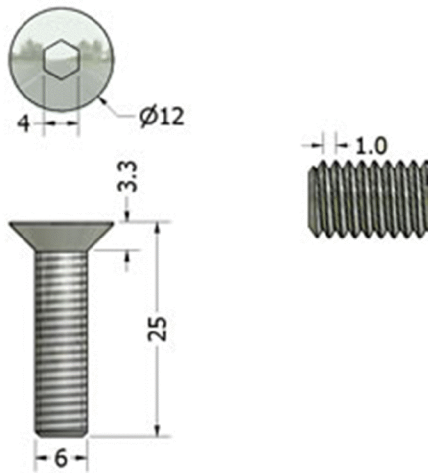
- Insert screw thru hole in part

- Tighten screw using 4mm hex key



# M6x25 Countersunk Screw

Part. N° 21.1566



## APPLICATIONS

- Closest inch screw                      1/4-20

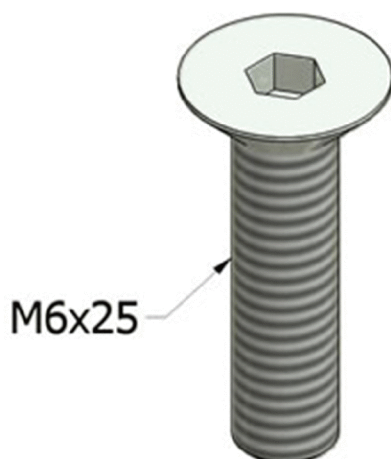
---

- Ø6mm =                                      .236 inches

---

- Length 25mm =                            .984 inches

---



TECHN. DATA / ITEMS SUPPLIED

- Steel, zinc plated

---

- Diameter 6 mm

---

- Length 25 mm

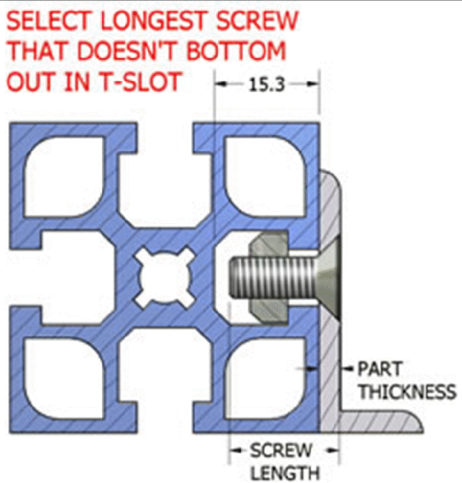
---

- Thread pitch 1.0 mm

---

- Hex drive 4 mm

---

ASSEMBLY

- Press M8 square nut into t-slot

---

- Insert screw thru hole in part

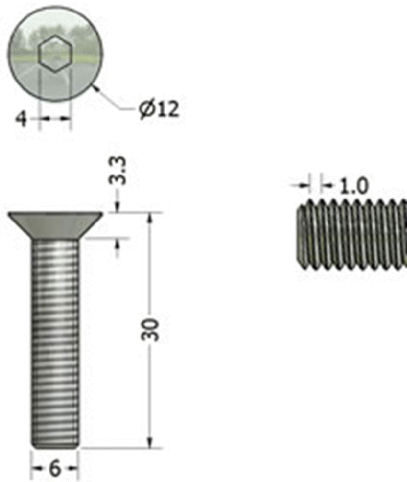
---

- Tighten screw using 4mm hex key

---

# M6x30 Countersunk Screw

Part. N° 21.1508



## APPLICATIONS

- Closest inch screw                      1/4-20

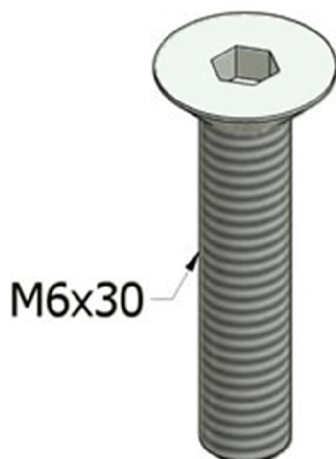
---

- Ø6mm =                                      .236 inches

---

- Length 30mm =                          1.18 inches

---



TECHN. DATA / ITEMS SUPPLIED

- Steel, zinc plated

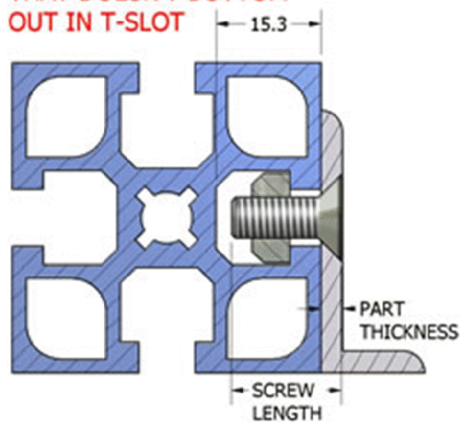
- Diameter 6 mm

- Length 30 mm

- Thread pitch 1.0 mm

- Hex drive 4 mm

**SELECT LONGEST SCREW THAT DOESN'T BOTTOM OUT IN T-SLOT**



ASSEMBLY

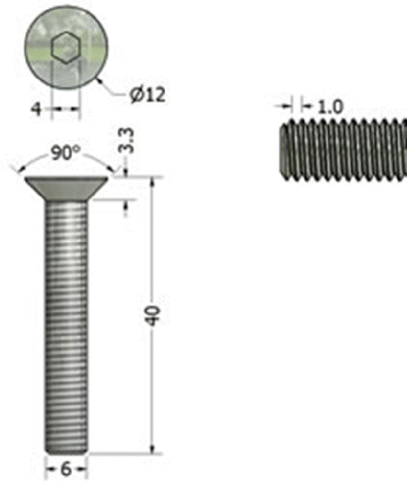
- Press M6 square nut into t-slot

- Insert screw thru hole in part

- Tighten screw using 4mm hex key

# M6x40 Countersunk Screw

Part. N° 21.1510



## APPLICATIONS

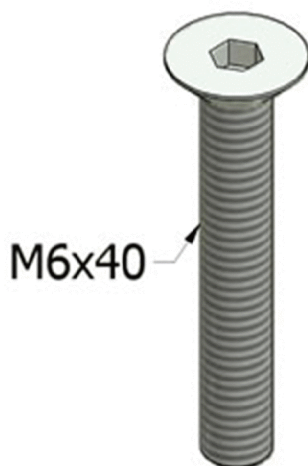
- Closest inch screw                      1/4-20

---

- Ø6mm =                                      .236 inches

---

- Length 40mm =                          1.575 inches





TECHN. DATA / ITEMS SUPPLIED

- Steel, zinc plated

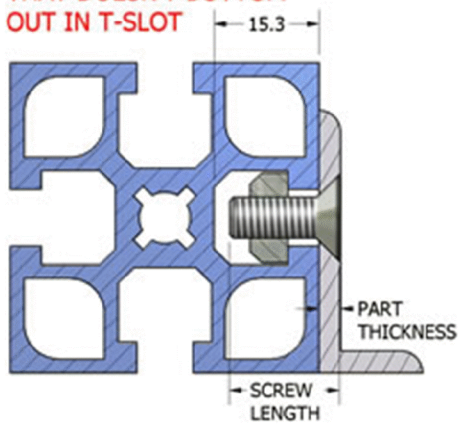
- Diameter 6 mm

- Length 40 mm

- Thread pitch 1.0 mm

- Hex drive 4 mm

**SELECT LONGEST SCREW THAT DOESN'T BOTTOM OUT IN T-SLOT**



ASSEMBLY

- Press M6 square nut into t-slot

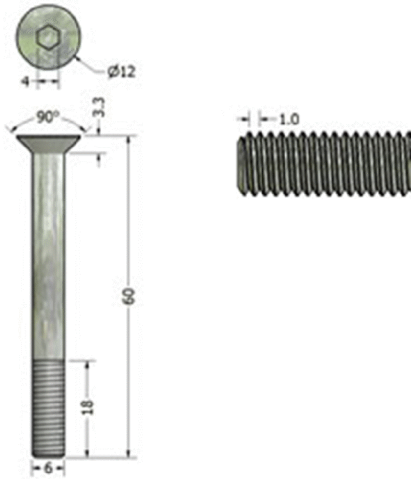
- Insert screw thru hole in part

- Tighten screw using 4mm hex key



# M6x60 Countersunk Screw

Part. N° 21.1512



## APPLICATIONS

- Closest inch screw	1/4-20
- Ø6mm =	.236 inches
- Length 60mm =	2.36 inches





TECHN. DATA / ITEMS SUPPLIED

- Steel, zinc plated

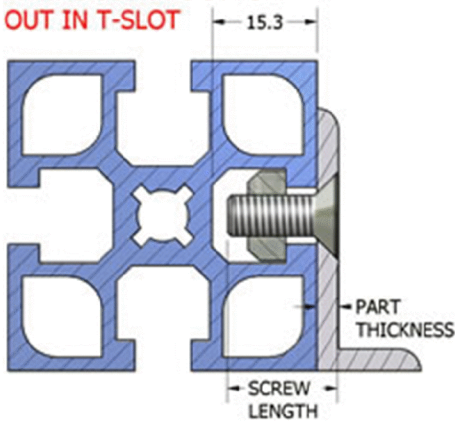
- Diameter 6 mm

- Length 60 mm

- Thread pitch 1.0 mm

- Hex drive 4 mm

**SELECT LONGEST SCREW THAT DOESN'T BOTTOM OUT IN T-SLOT**



ASSEMBLY

- Press M6 square nut into t-slot

- Insert screw thru hole in part

- Tighten screw using 4mm hex key

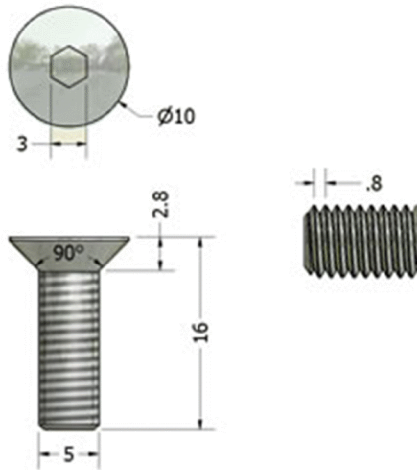




# M5x16 Countersunk Screw

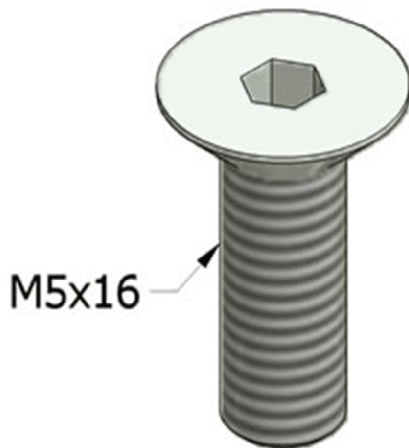
Part. N° 21.1503

CAD DOWNLOAD ▶ [3D STEP](#) | [Solidworks 2008](#) | [Inventor 2009](#)



## APPLICATIONS

- Closest inch screw	10-32
- Ø5mm =	..197 inches
- Length 16mm =	.63 inches





TECHN. DATA / ITEMS SUPPLIED

- Steel, zinc plated

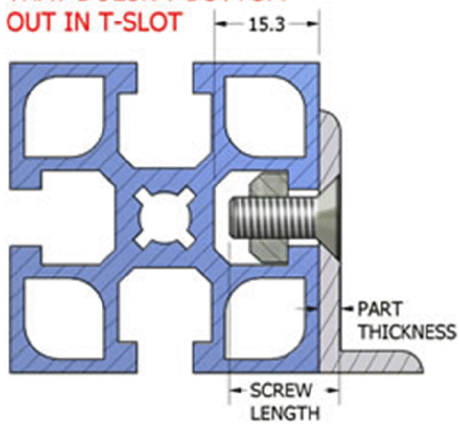
- Diameter 5 mm

- Length 16 mm

- Thread pitch .8 mm

- Hex drive 3 mm

**SELECT LONGEST SCREW THAT DOESN'T BOTTOM OUT IN T-SLOT**



ASSEMBLY

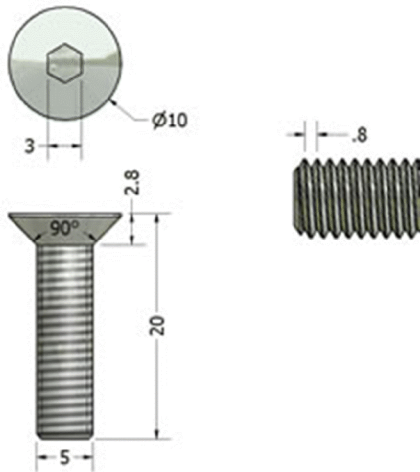
- Press M5 square nut into t-slot

- Insert screw thru hole in part

- Tighten screw using 3mm hex key

# M5x20 Countersunk Screw

Part. N° 21.1504



## APPLICATIONS

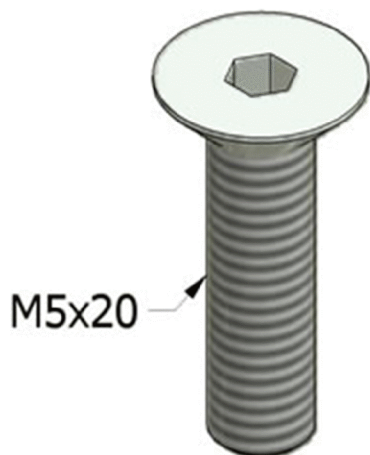
- Closest inch screw                      10-32

---

- $\varnothing 5\text{mm}$  =                                      .197 inches

---

- Length 20mm =                                .787 inches





TECHN. DATA / ITEMS SUPPLIED

- Steel, zinc plated

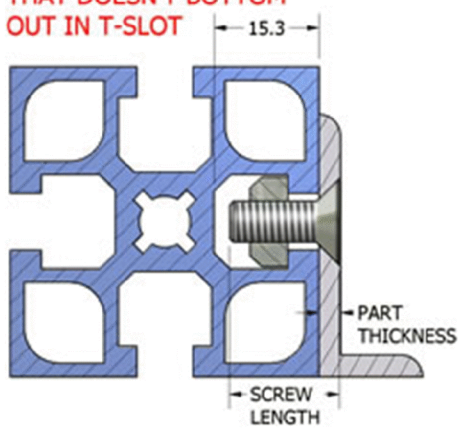
- Diameter 5 mm

- Length 20 mm

- Thread pitch .8 mm

- Hex drive 3 mm

**SELECT LONGEST SCREW THAT DOESN'T BOTTOM OUT IN T-SLOT**



ASSEMBLY

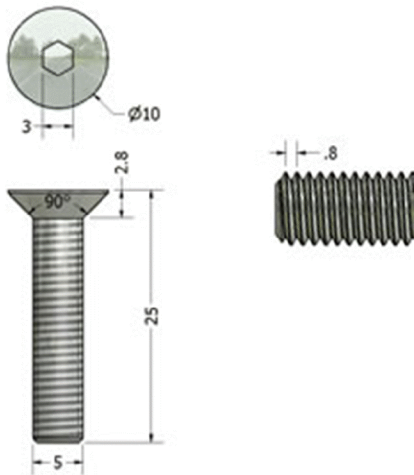
- Press M5 square nut into t-slot

- Insert screw thru hole in part

- Tighten screw using 3mm hex key

# M5x25 Countersunk Screw

Part. N° 21.1505



## APPLICATIONS

- Closest inch screw                      10-32

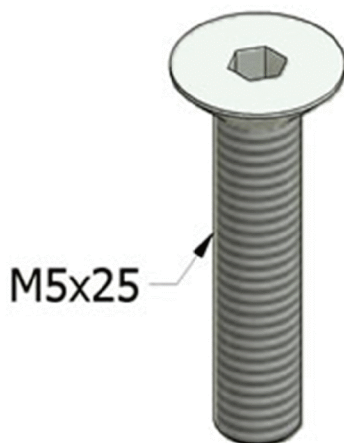
---

- Ø5mm =                                      .197 inches

---

- Length 25mm =                          .984 inches

---



TECHN. DATA / ITEMS SUPPLIED

- Steel, zinc plated

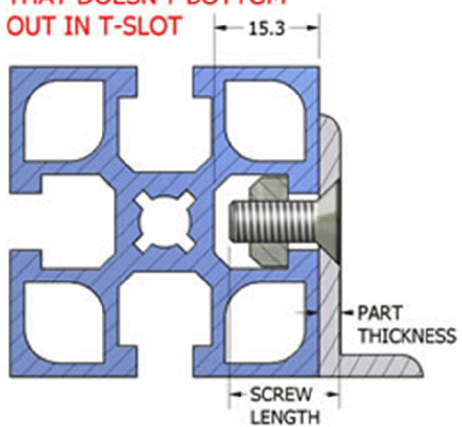
- Diameter 5 mm

- Length 25 mm

- Thread pitch .8 mm

- Hex drive 3 mm

**SELECT LONGEST SCREW THAT DOESN'T BOTTOM OUT IN T-SLOT**



ASSEMBLY

- Press M5 square nut into t-slot

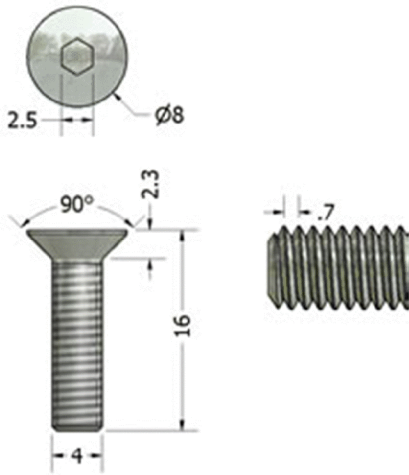
- Insert screw thru hole in part

- Tighten screw using 3mm hex key



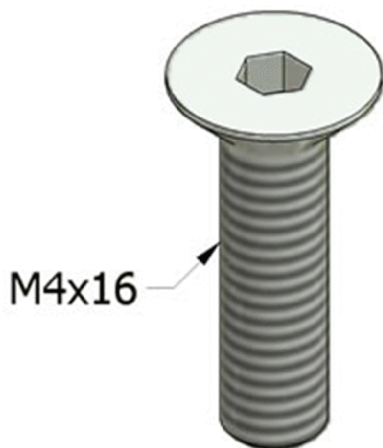
# M4x16 Countersunk Screw

Part. N° 21.1501



## APPLICATIONS

- Closest inch screw	8-32
- Ø4mm =	.157 inches
- Length 16mm =	.63 inches





TECHN. DATA / ITEMS SUPPLIED

- Steel, zinc plated

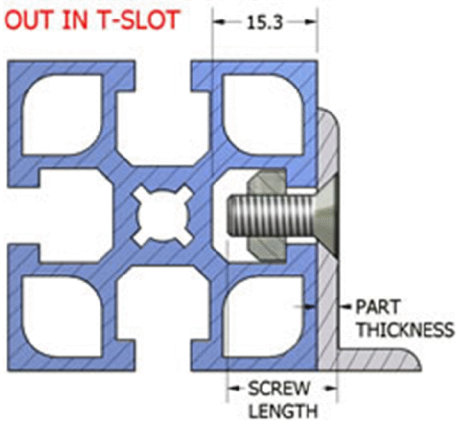
- Diameter 4 mm

- Length 16 mm

- Thread pitch .7 mm

- Hex drive 2.5 mm

**SELECT LONGEST SCREW THAT DOESN'T BOTTOM OUT IN T-SLOT**



ASSEMBLY

- Press M4 square nut into t-slot

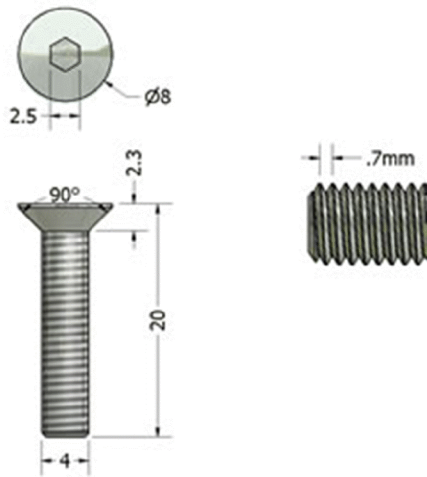
- Insert screw thru hole in part

- Tighten screw using 2.5mm hex key



# M4x20 Countersunk Screw

Part. N° 21.1502



## APPLICATIONS

- Closest inch screw                      8-32

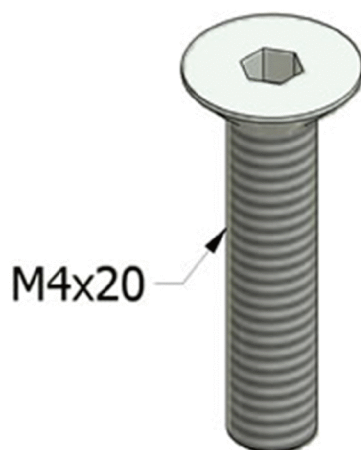
---

- Ø4mm =                                      .157 inches

---

- Length 20mm =                          .787 inches

---



TECHN. DATA / ITEMS SUPPLIED

- Steel, zinc plated

---

- Diameter 4 mm

---

- Length 20 mm

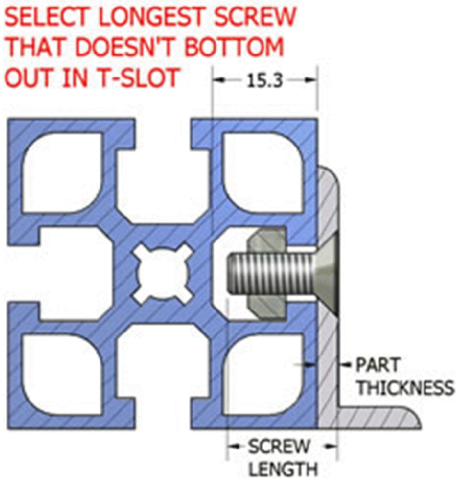
---

- Thread pitch .7 mm

---

- Hex drive 2.5 mm

---

ASSEMBLY

- Press M4 square nut into t-slot

---

- Insert screw thru hole in part

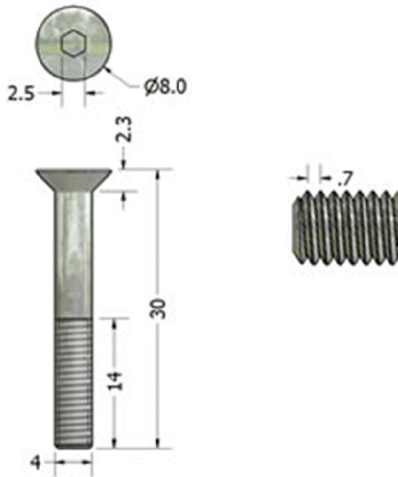
---

- Tighten screw using 2.5mm hex key

---

# M4x30 Countersunk Screw

Part. N° 21.1203



## APPLICATIONS

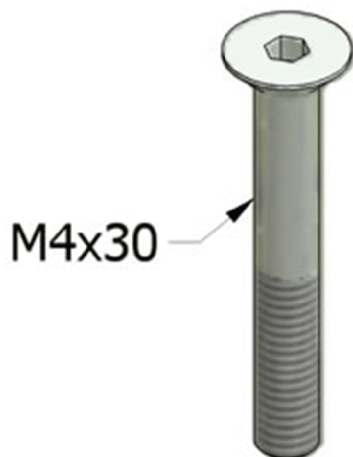
- Closest inch screw                      8-32

---

- $\varnothing 4\text{mm}$  =                                      .157 inches

---

- Length 30mm =                                1.18 inches





TECHN. DATA / ITEMS SUPPLIED

- Steel, zinc plated

---

- Diameter 4 mm

---

- Length 30 mm

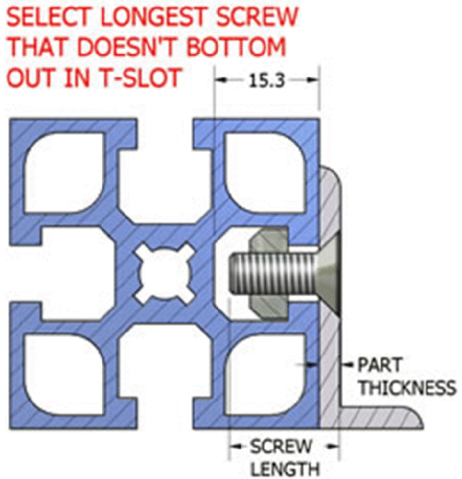
---

- Thread pitch .7 mm

---

- Hex drive 2.5 mm

---

ASSEMBLY

- Press M4 square nut into t-slot

---

- Insert screw thru hole in part

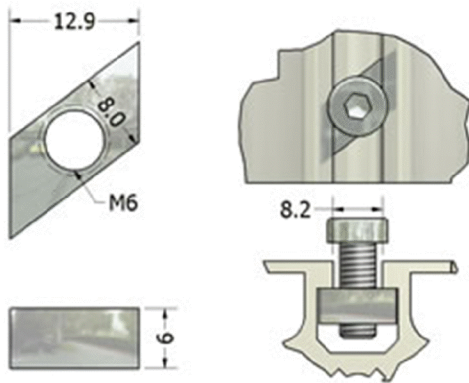
---

- Tighten screw using 2.5mm hex key

---

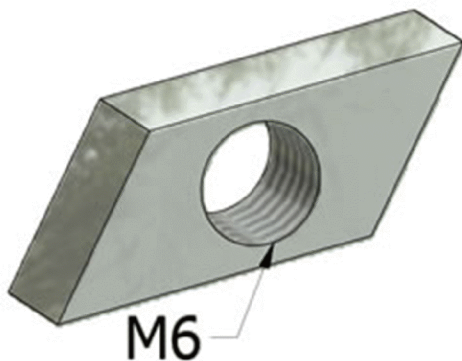
# Rhombus Nut

Part. N° 21.1352



## APPLICATIONS

- Particularly useful when it's desirable to insert a nut into a t-slot with the screw attached
- Attachment of ergonomic workstation table tops



## TECHN. DATA / ITEMS SUPPLIED



- Steel, Zinc Plated

---

- Thread Diameter - 6mm

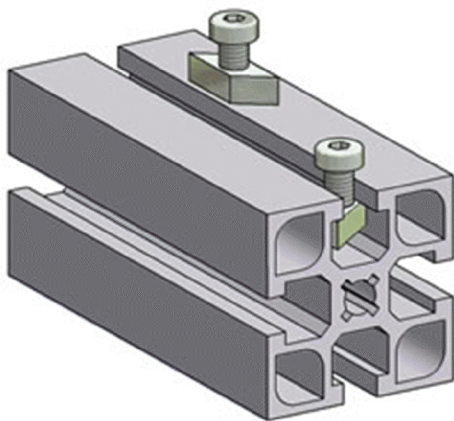
---

- Thread Pitch - 1mm

---

- Weight - .005 kg

---



#### ASSEMBLY

- Insert screw thru item to be attached & engage nut

---

- Drop rhombus nut thru t-slot & rotate 90° to secure

---

- Note that rhombus nut should be attached to screw in orientation shown above. It has a top & bottom side.

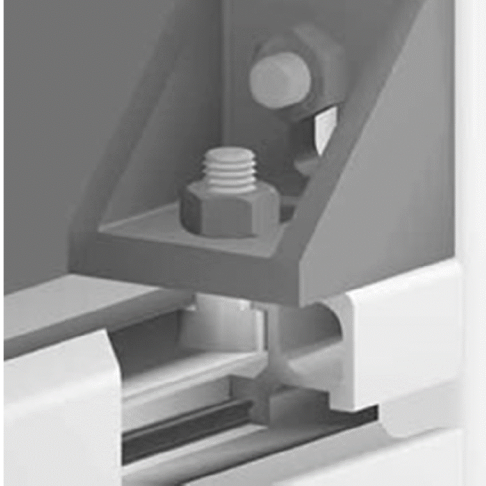
---



# Hammer Head Screw

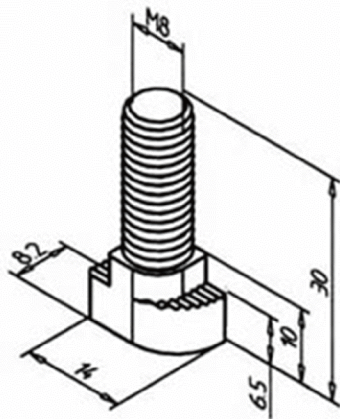
Part. N° 21.1370

CAD DOWNLOAD ► 3D STEP | Solidworks 2008 | Inventor 2009



## APPLICATIONS

- For applications where it is more convenient to tighten a nut outside the t-slot



## TECHN. DATA / ITEMS SUPPLIED



- Steel zinc plated

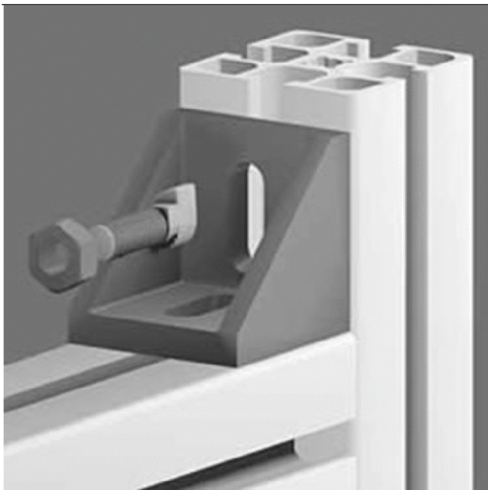
---

- Nut not included

---

- Weight - .012 kg

---



#### ASSEMBLY

- Place hammer head screw into t-slot & rotate

---

- Tighten nut

---