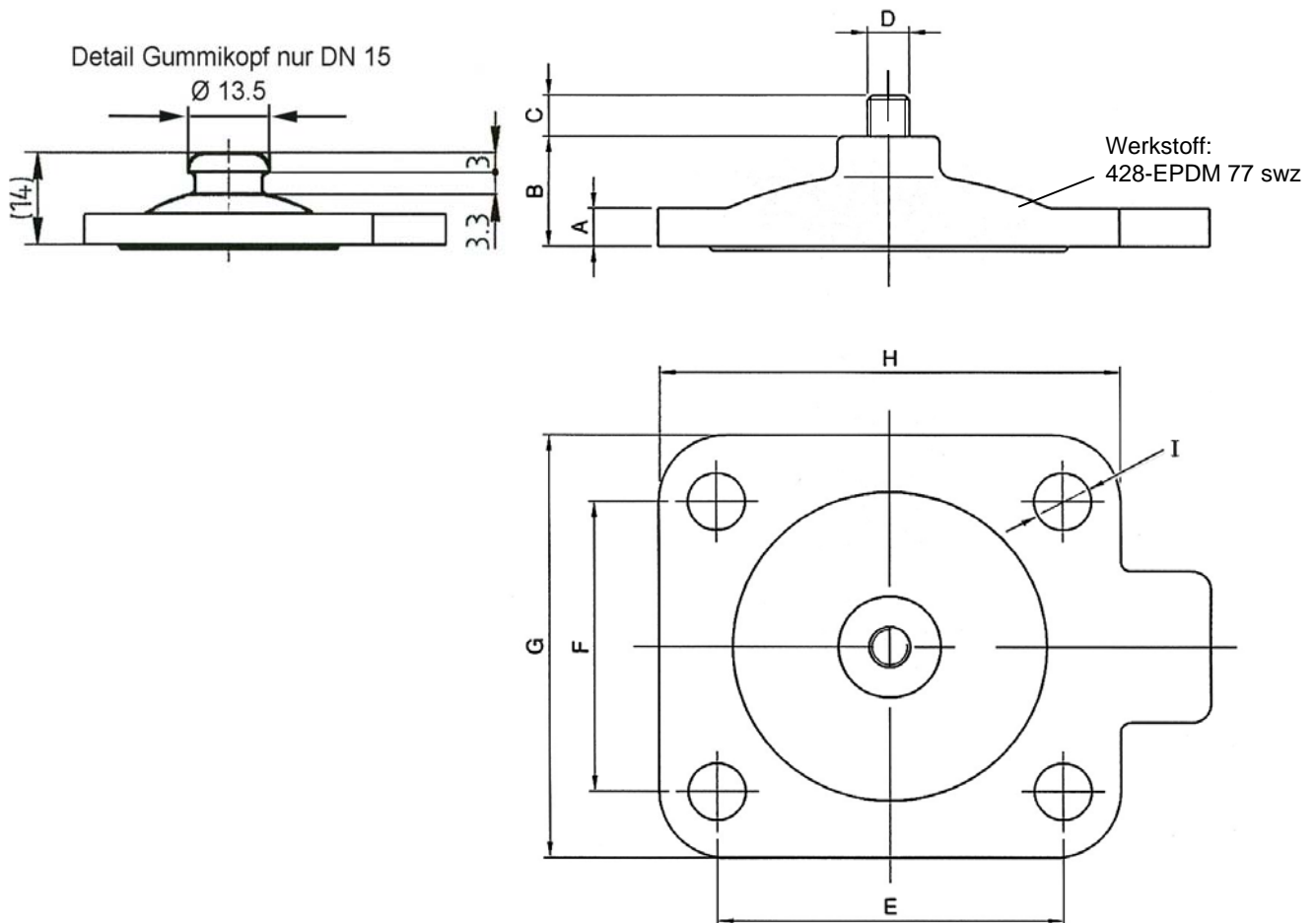


ELASTOFLON AG

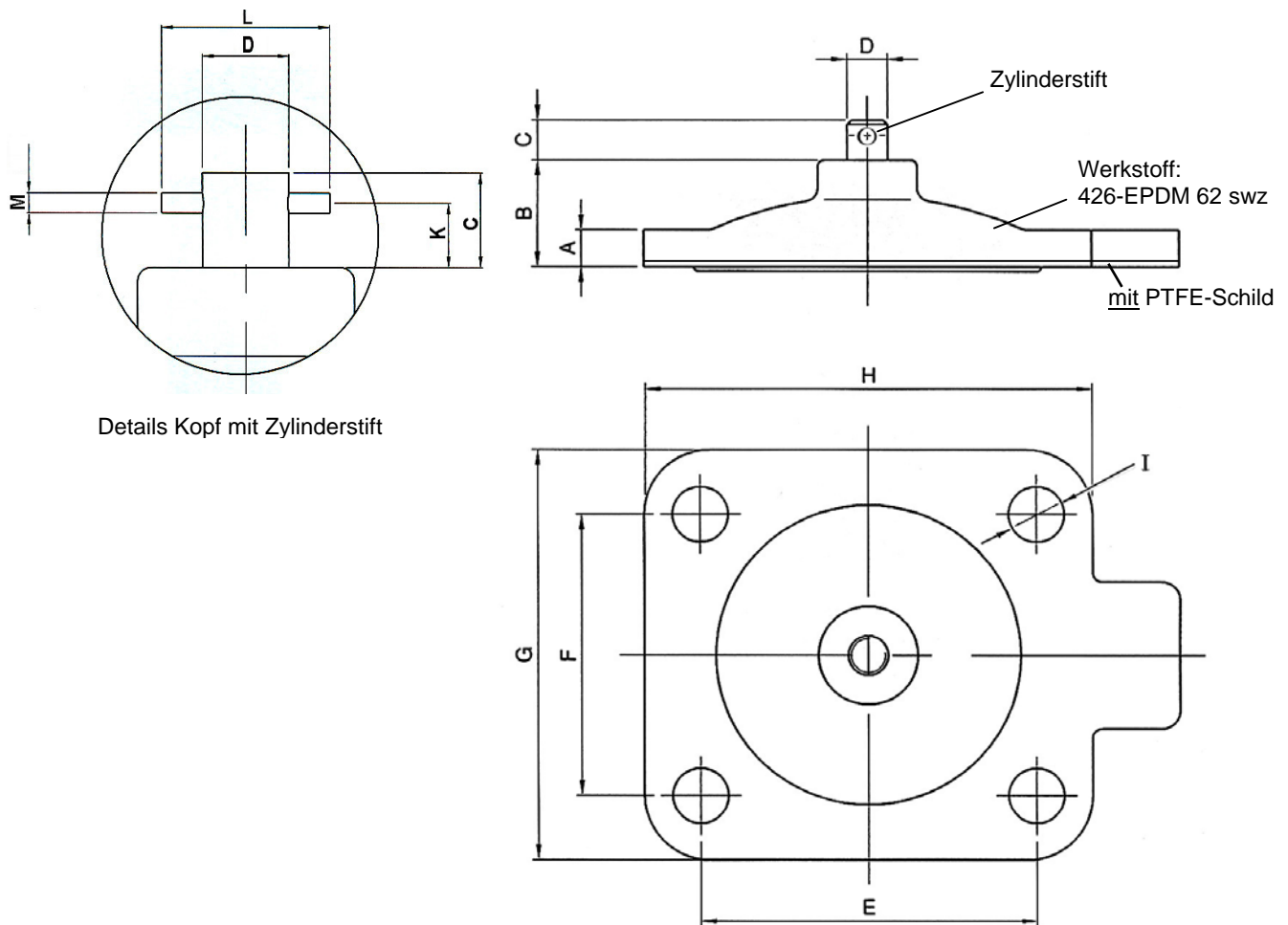
CH-8253 Diessenhofen / TG, Grossholzstr. 26
Tel. +(0)41-52 646 08 10, Fax + (0)41-52 646 08 19
www.elastoflon.ch, info@elastoflon.ch



Masse in mm	A	B	C	D	E	F	G	H	I
DN 15	5.0	8.0	-	-	36.5	33.3	44.5	47.7	6.4
DN 25	5.7	17.2	6.5	1/4"	54.0	46.0	67.0	72.0	9.0
DN 40	6.5	23.7	7.0	1/4"	70.0	65.0	90.5	100.0	11.0
DN 50	6.0	27.0	7.5	1/4"	82.6	77.8	107.0	118.0	13.0
DN 80	7.0	35.7	8.0	5/16"	127.0	114.0	155.0	184.0	17.0
Verkaufs-Preise CHF	1-5 Stück	6-10 Stück	11-25 Stück	26-49 Stück	ab 50 Stück				
DN 15	12.80	12.00	11.50	11.10	10.70				
DN 25	19.00	17.90	17.25	16.70	16.00				
DN 40	28.90	26.40	25.00	22.00	20.70				
DN 50	30.50	27.80	26.50	23.20	21.80				
DN 80	53.00	46.50	42.50	40.40	38.00				

ELASTOFLON AG

CH-8253 Diessenhofen / TG, Grossholzstr. 26
Tel. +(0)41-52 646 08 10, Fax + (0)41-52 646 08 19
www.elastoflon.ch, info@elastoflon.ch



Details Kopf mit Zylinderstift

Masse in mm	A	B	C	D	E	F	G	H	I	K	L	M	PTFE-Schild Dicke in mm
DN 15	5.0	8.0	5.5	4.75	36.5	33.3	44.5	47.7	6.4	3.8	10.0	1.5	0.7
DN 25	5.7	17.2	7.0	6.3	54.0	46.0	67.0	72.0	9.0	4.5	10.0	2.5	1.0
DN 40	6.5	23.7	7.0	6.3	70.0	65.0	90.5	100.0	11.0	4.5	10.0	2.5	1.0
DN 50	6.0	27.0	8.5	6.3	82.6	77.8	107.0	118.0	13.0	6.2	10.0	2.5	1.0
DN 80	7.0	35.7	8.5	7.8	127.0	114.0	155.0	184.0	17.0	5.5	12.0	2.5	1.0
Verkaufs-Preise CHF	1-5 Stück	6-10 Stück	11-25 Stück	26-49 Stück	ab 50 Stück								
DN 15	32.50	28.50	26.20	24.00	22.50								
DN 25	51.50	46.50	42.50	40.70	38.80								
DN 40	60.80	54.50	49.90	47.70	45.50								
DN 50	69.70	62.50	57.30	54.80	52.30								
DN 80	130.50	116.30	107.00	102.30	97.50								