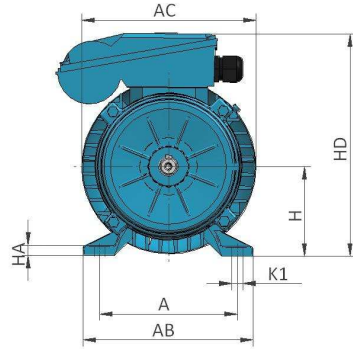
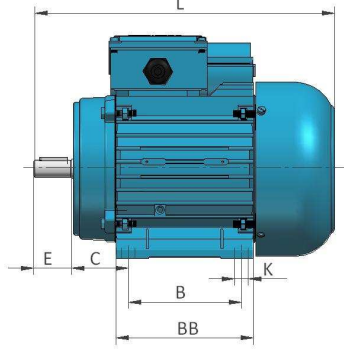
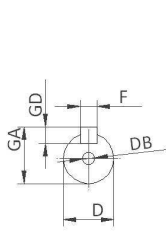
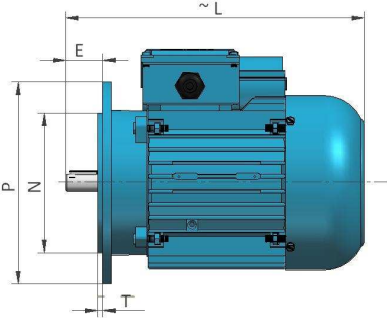


## MONOFAZE MOTOR ÖLÇÜLERİ

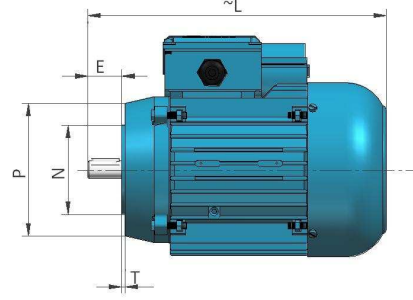
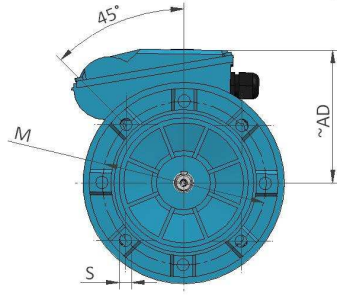
### DIMENSIONS OF SINGLE-PHASE MOTORS



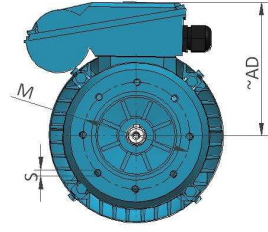
B3-B6-B7-B8-V5-V6



B5-V1-V3



B14-V18-V19



Yapı Büyüklüğü Frame Size		AYAKLI MOTORLAR FOOT MOUNTED MOTORS											FLANŞLI MOTORLAR FLANGED MOTORS							MİL UCU SHAFT				
ACø	L	H	HD	HA	A	AB	K1	B	BB	Kø	C	Yapı Şekli Type of Constr.	Pø	* Nø	Mø	Sø	T	AD ~	** Dø	E	DB	GA	FxGD	
112	172	56	140	6	90	110	7	71	81	6	36	B5	120	80	100	7	3	84	9	20	-	10.2	3x3	
												B14	80	50	65	M5	2.5							
122	205	63	165	7	100	120	10	80	102	7	40	B5	140	95	115	10	3	102	11	23	-	12.5	4x4	
												B14	90	60	75	M5	2.5							
139	243	71	178	8	112	135	11	90	109	7	45	B5	160	110	130	10	3.5	107	14	30	M5	16	5x5	
												B14	105	70	85	M6	2.5							
155	278	80	195	10.5	125	152	13	100	129	9	50	B5	200	130	165	12	3.5	115	19	40	M6	21.5	6x6	
												B14	120	80	100	M6	3							
176	300	90	215	13	140	170	13	100	131	10	56	B5	200	130	165	12	3.5	125	24	50	M8	27	8x8	
	125							156	B14			140	95	115	M8	3								

\* Tolerans j6 / Tolerance j6

\*\* Tolerans j6 / Tolerance j6

Tüm ölçüler mm'dir. / All dimensions in mm.