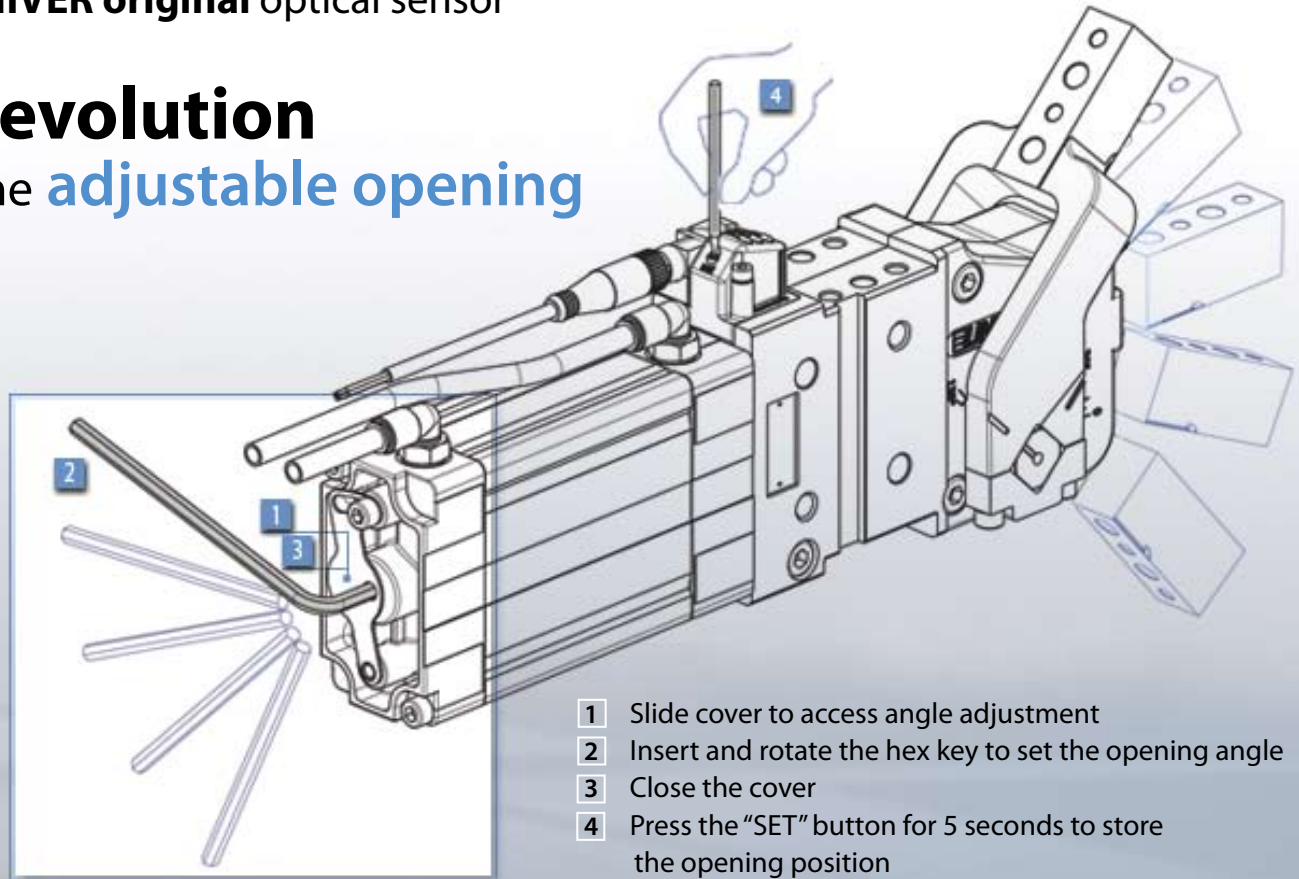


# UNIVERSAL\_Power clamps

- **Fully adjustable** opening angle
- **UNIVER original** optical sensor

The **evolution**  
of the **adjustable opening**



## COMPLETE INTERCHANGEABILITY with LAP/LNP series:

- Interchangeable **mounting**
- Interchangeable **overall dimensions**
- Interchangeable **models and options**
- Same **inner linkage mechanism**

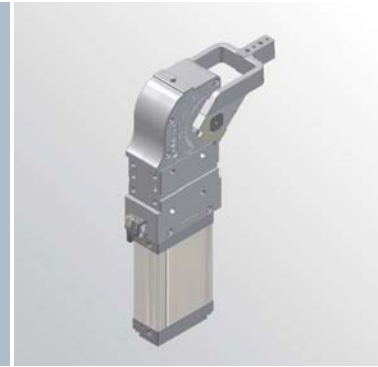
## ADVANTAGES FOR THE END CUSTOMER:

### UNIVERSAL series:

- Allows **opening angle** to be adjusted from 0° to 125° for the 40mm bore and from 0° to 135° for the 50, 63, 80mm bore
- Allows **to set the opening** angle with or without air supply
- Reduces **stock requirements: one UNIVERSAL unit** can be used to set all possible opening angles
- Can be used **as direct replacement** for LAP/LNP series
- Increases **productivity** and decreases cycle time by being able to set the clamp to the minimum required opening angle
- Guarantees the same reliability recognized by the market thanks to the use of the **already proven inner linkage mechanism** of the LAP/LNP series
- Provides **pumatic ports on both sides** of the cylinder
- Is equipped with a **UNIVER original all metal construction optical sensor**, which is IP65 and includes a swivel connector which can be orientated in 0° or 90°

# UBP80

## UNIVERSAL power clamp



<b>U</b>	<b>B</b>	<b>P</b>	<b>8</b>	<b>0</b>	<b>N</b>	<b>N</b>	<b>U</b>
1	2	3	4	5	6		

<b>1 Series</b>	<b>2 Version</b>	<b>3 Size</b>
-----------------	------------------	---------------

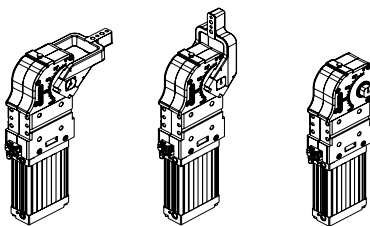
**UB** = UNIVERSAL power clamps  
- fully adjustable opening angle  
from 0° to 135°

**P** = Pneumatic standard

**80** = ø 80 mm

<b>4 Arm mount position</b>	<b>5 Arm style</b>	<b>6 Sensing style</b>
-----------------------------	--------------------	------------------------

**V** = 90°    **O** = 180°    **N** = no arm



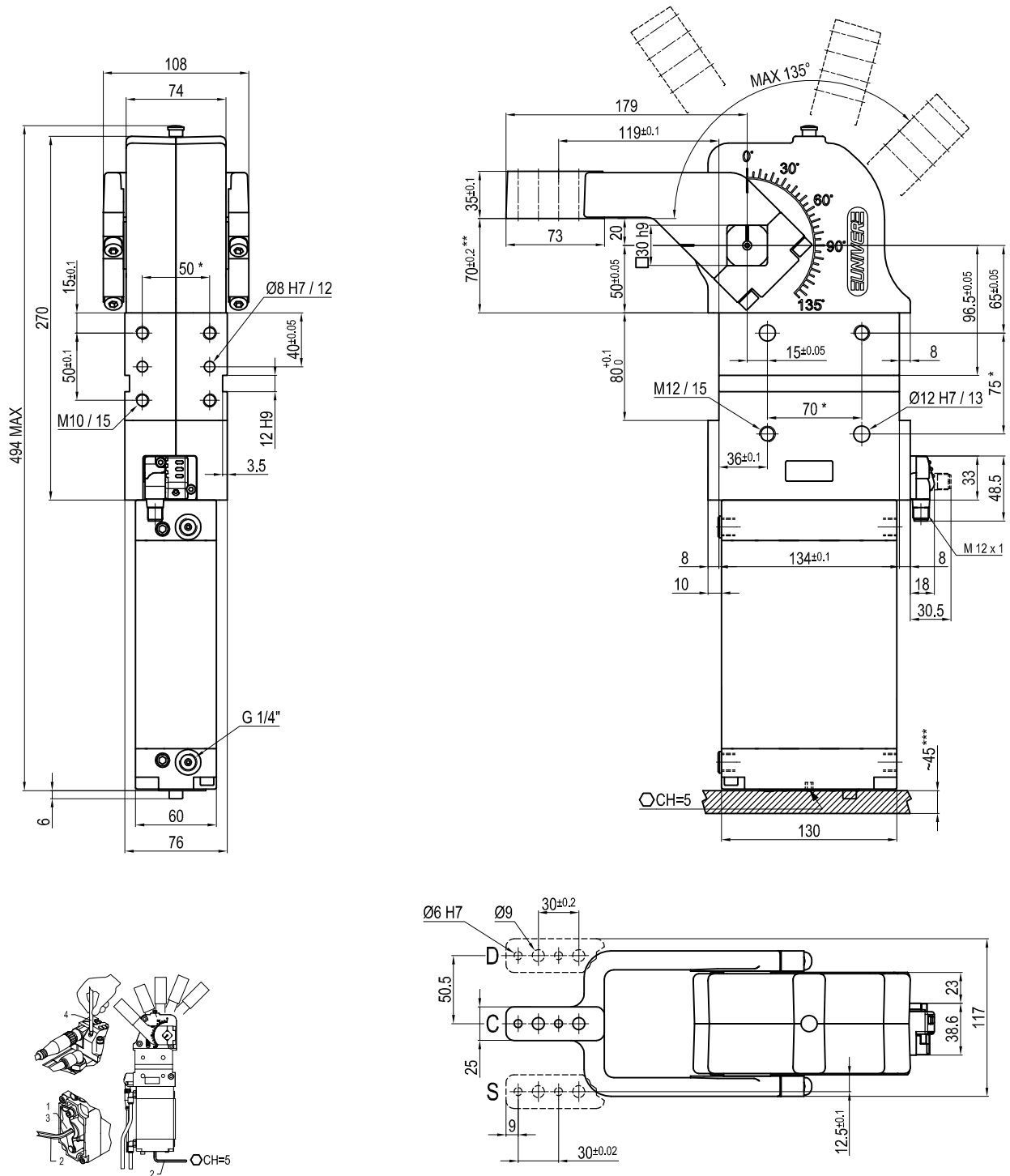
**C** = Central - standard  
**D** = Right - standard  
**S** = Central, 45mm from pivot point  
**E** = Right, 45mm from pivot point  
**F** = Left, 45mm from pivot point  
**L** = Left - standard  
**O** = Central with self-holding system  
**P** = Right with self-holding system  
**Q** = Left with self-holding system  
**N** = No arm

**N** = no sensor  
(with protection plate)  
**U** = Electronic 24 Vdc sensor with M12  
swivel connector





## UNIVERSAL Pneumatic power clamp



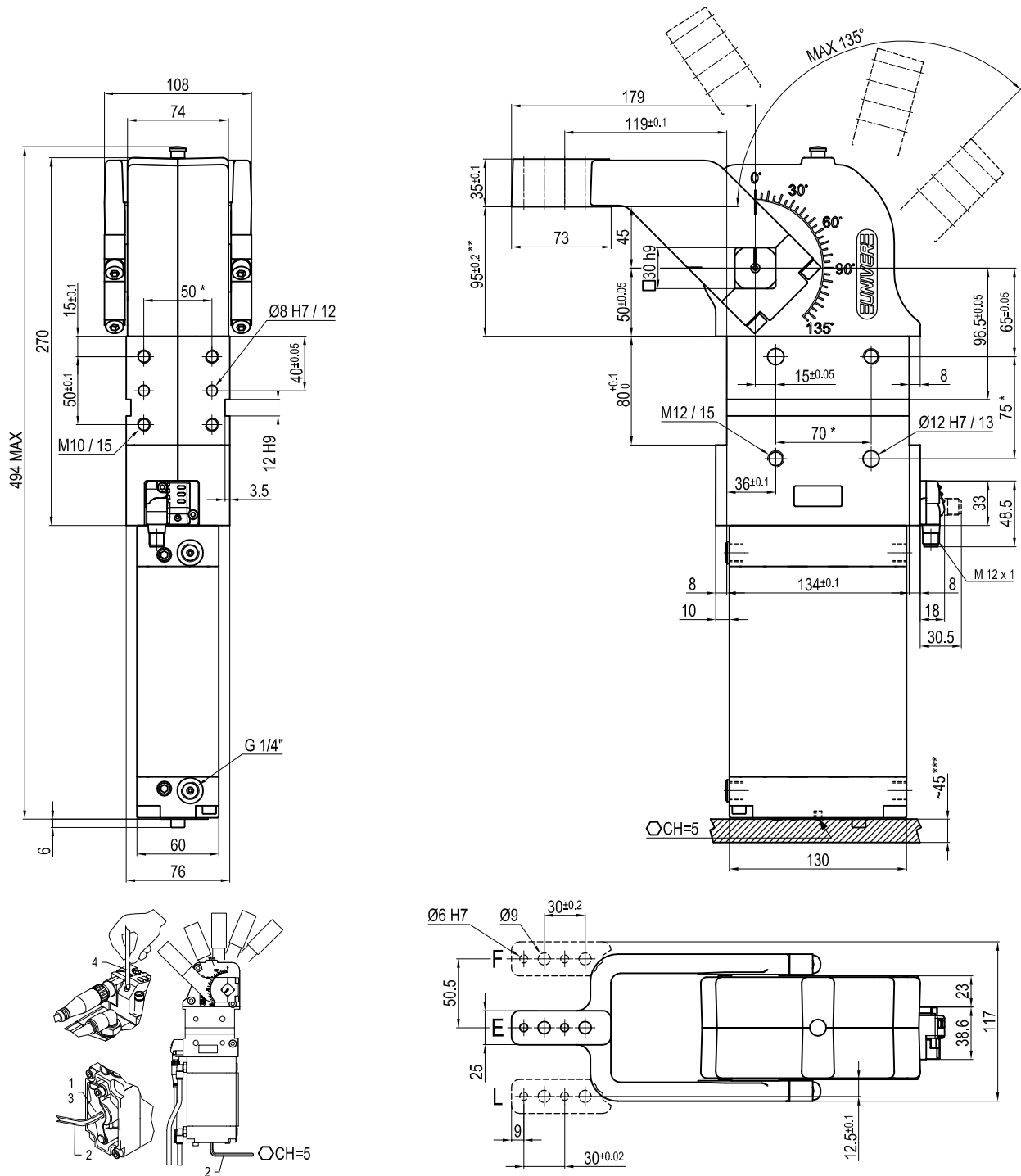
Bore Ø	Holding moment	Clamping moment	Weight
80 mm	4000 Nm	1100 Nm	11,5 Kg

Min./Max. operating pressure: **0,4 / 0,8 MPa**  
 Operating temperature: **5° + 45° C**  
 Opening angle: **adjustable from 0° to 135°**  
 Vertical arm mount position  
 Electronic 24 Vdc sensor with M12 swivel connector that can be orientated at 0° or 90°  
 Protection class: **IP 65**  
 Pneumatic ports on both sides

\* : TOLERANCE BETWEEN DOWELS ± 0.02, TO SCREW HOLES ± 0.1  
 \*\* : TOLERANCE AT 80 mm FROM PIVOT POINT  
 \*\*\* : AREA TO ACCESS ANGLE ADJUSTMENT.

Subject to technical modification without notice.

## UNIVERSAL Pneumatic power clamp arm at 45 mm from pivot point (arm style E-L-F)



Bore Ø	Holding moment	Clamping moment	Weight
80 mm	4000 Nm	1100 Nm	11,7 Kg

Min./Max. operating pressure: **0,4 / 0,8 MPa**

Operating temperature: **5° ± 45° C**

Opening angle: **adjustable from 0° to 135°**

Vertical arm mount position

Electronic 24 Vdc sensor with M12 swivel connector that can be orientated at 0° or 90°

Protection class: **IP 65**

Pneumatic ports on both sides

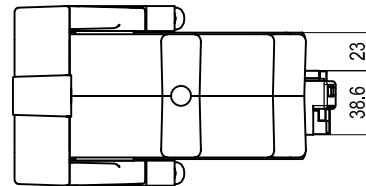
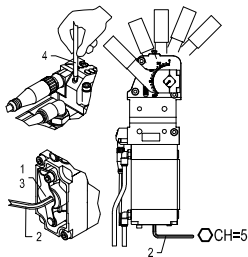
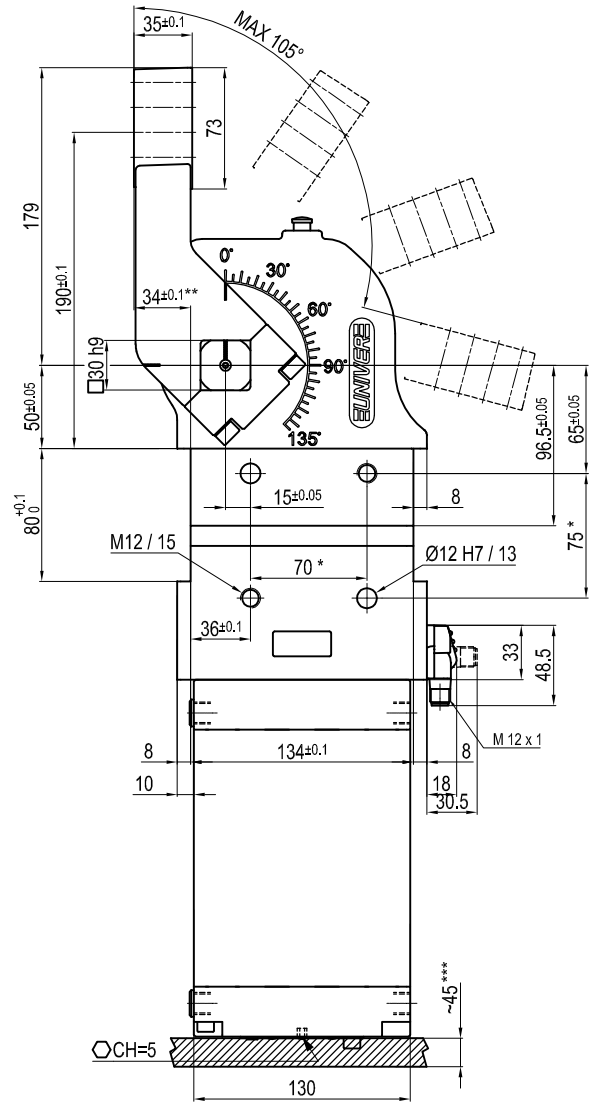
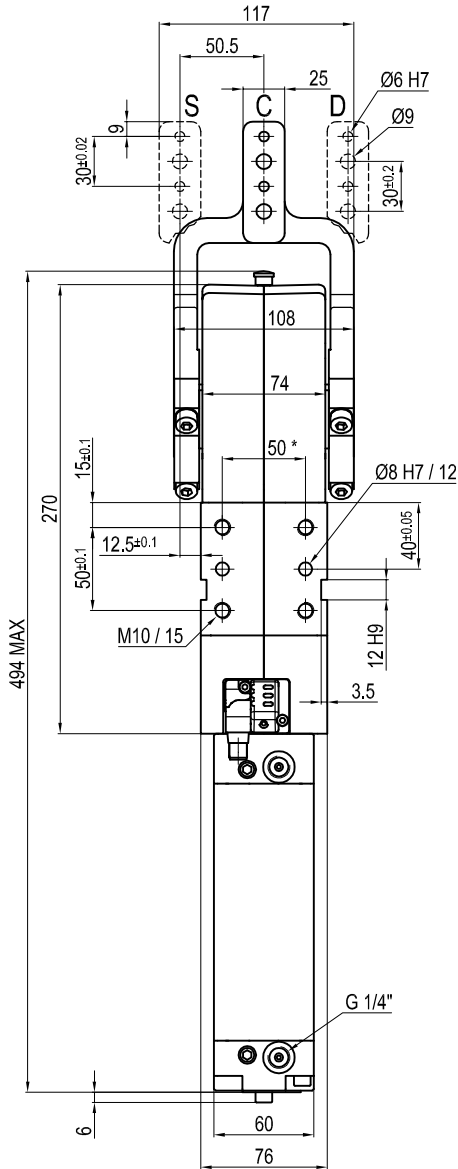
\* : TOLERANCE BETWEEN DOWELS ± 0.02, TO SCREW HOLES ± 0.1

\*\* : TOLERANCE AT 80 mm FROM PIVOT POINT

\*\*\* : AREA TO ACCESS ANGLE ADJUSTMENT

Subject to technical modifications without notice.

## UNIVERSAL Pneumatic power clamp



Bore Ø	Holding moment	Clamping moment	Weight
80 mm	4000 Nm	1100 Nm	11,5 Kg

Min./Max. operating pressure: **0,4 / 0,8 MPa**

Operating temperature: **5° + 45° C**

Opening angle: **adjustable from 0° to 105°**

Horizontal arm mount position

Electronic 24 Vdc sensor with M12 swivel connector that can be orientated at 0° or 90°

Protection class: **IP 65**

Pneumatic ports on both sides

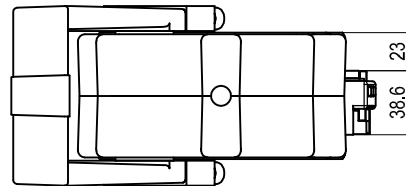
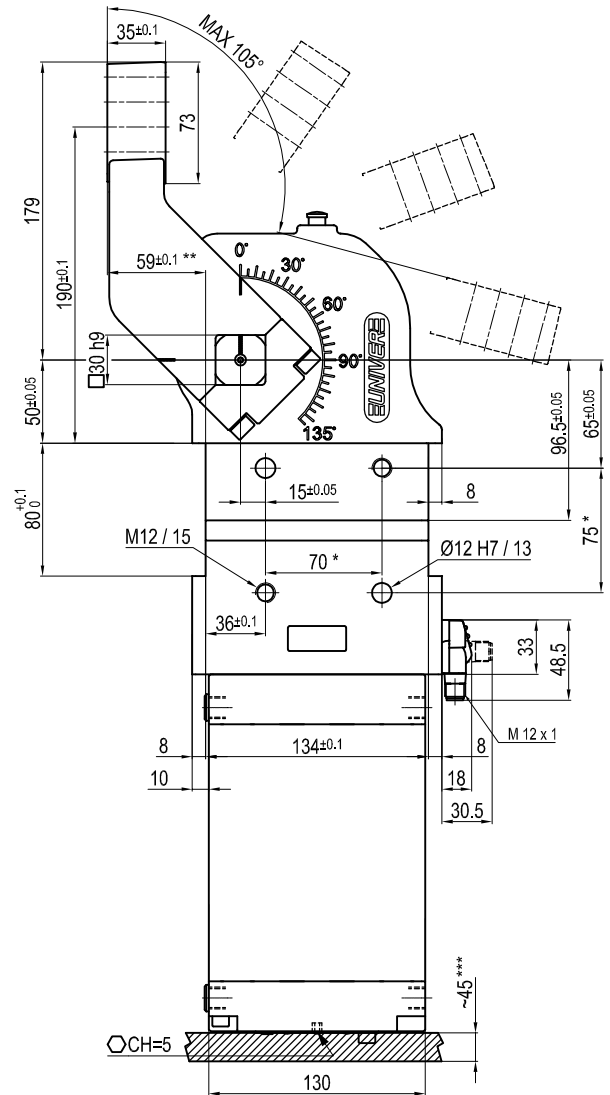
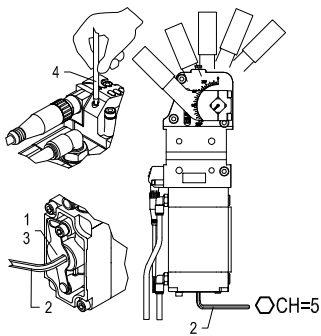
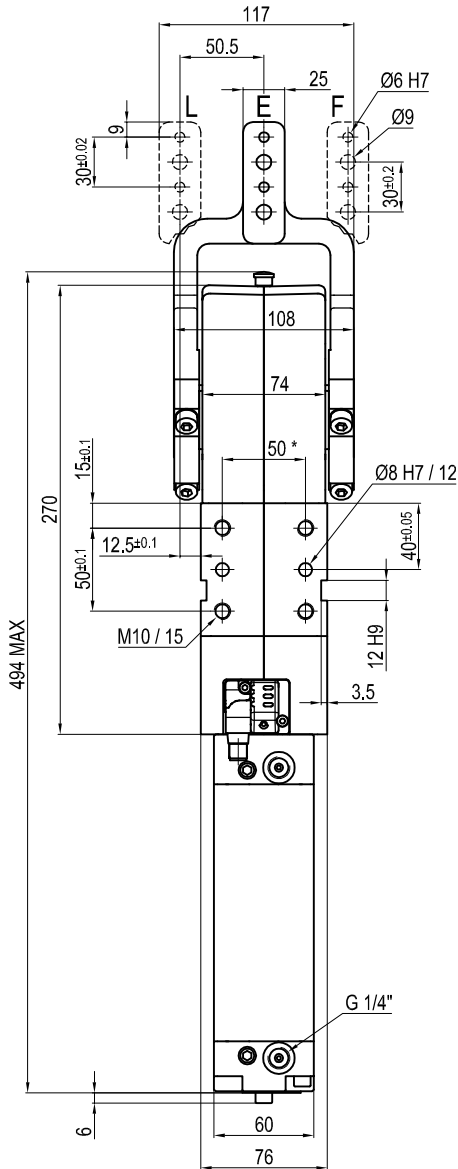
\* : TOLERANCE BETWEEN DOWELS ± 0.02, TO SCREW HOLES ± 0.1

\*\* : TOLERANCE AT 80 mm FROM PIVOT POINT

\*\*\* : AREA TO ACCESS ANGLE ADJUSTMENT.

Subject to technical modification without notice.

## UNIVERSAL Pneumatic power clamp arm at 45 mm from pivot point (arm style E-L-F)



Bore Ø	Holding moment	Clamping moment	Weight
80 mm	4000 Nm	1100 Nm	11,7 Kg

Min./Max. operating pressure: **0,4 / 0,8 MPa**

Operating temperature: **5° + 45° C**

Opening angle: **adjustable from 0° to 105°**

Horizontal arm mount position

Electronic 24 Vdc sensor with M12 swivel connector that can be orientated at 0° or 90°

Protection class: **IP 65**

Pneumatic ports on both sides

\* : TOLERANCE BETWEEN DOWELS ± 0.02, TO SCREW HOLES ± 0.1

\*\* : TOLERANCE AT 80 mm FROM PIVOT POINT

\*\*\* : AREA TO ACCESS ANGLE ADJUSTMENT

Subject to technical modifications without notice.