

B

10 mm nanovalves

- Flow rate 12 NI/min
- Interface with conveyed discharge or discharge in the air
- Versions 3/2 normally open (NO) and normally closed (NC)
- Interchangeable coil (U04) - rotation by 180°
- Molex-type electrical connector or louse wires



TECHNICAL CHARACTERISTICS

Ambient temperature	-5 ÷ +50 °C
Fluid temperature	max +50 °C
Fluid	10 µm filtered air, lubricated or not
Commutation system	poppet valve
Ways/Positions	3/2 NC, 3/2 NO
Pressure	max 8 bar
Control	electric
Return	mechanical spring
Connections	on sub-base
Nominal Ø	0,5÷0,6 mm
Nominal flow rate	9÷12 NI/min
Max frequency	2300 ÷ 3000 cycles/min

CONSTRUCTIVE CHARACTERISTICS

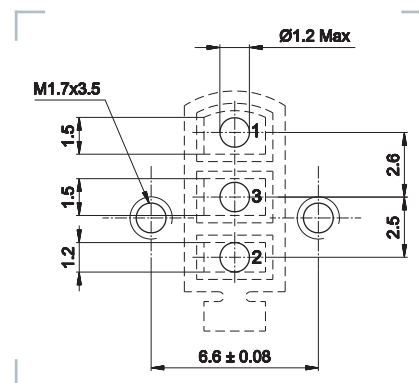
Valve body	thermoplastic
Seals	nitrile rubber
Components	stainless steel - treated brass

ELECTRIC CHARACTERISTICS

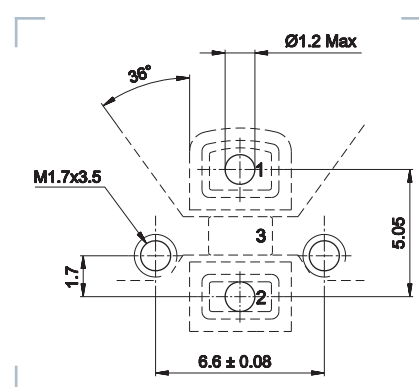
Coil	U04 DE series
Power consumption	1,2 W (1,35 W with LED)
Electrical connection	Molex-type bipolar connector or loose wires
Voltage	12 V DC - 24 V DC
Manual override	with button with tool

Substructure

Conveyed discharge



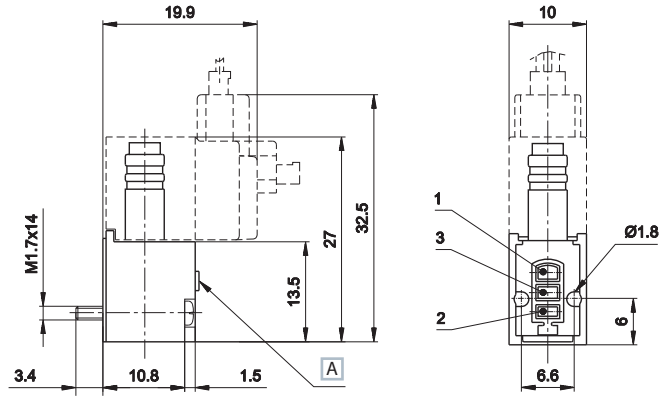
Discharge in the air



NC
1 = Supply port
2 = Use
3 = Exhaust

NO
1 = Exhaust
2 = Use
3 = Supply port

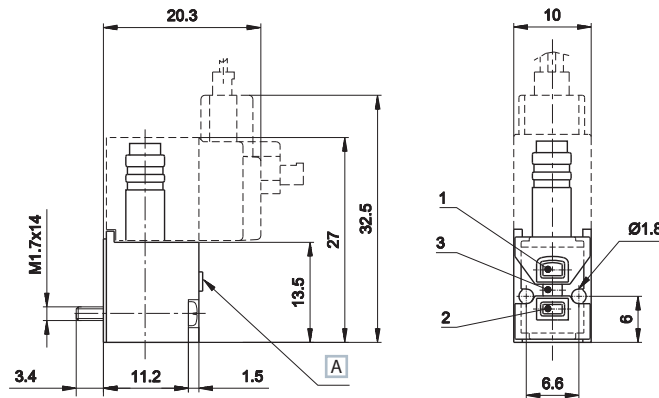
Valves with conveyed discharge



[A] Manual override

	Symbol	Nominal Ø	Flow rate NI/min.	Pressure bar	Times (ms)		Weight (b) Kg	Part no.
					En.	De-en.		
3/2 NC		0,5	1→2 = 9 2→3 = 12	1,5÷8(a)	9	10	0,007 (0,012)	B-101N
3/2 NO		0,5	3→2 = 9 2→1 = 10	0÷8	18	8	0,007 (0,012)	B-121N

Valves with discharge in the air



[A] Manual override

	Symbol	Nominal Ø	Flow rate NI/min.	Pressure bar	Times (ms)		Weight (b) Kg	Part no.
					En.	De-en.		
3/2 NC		0,6	1→2 = 12 2→3 = 15	1,5÷8(a)	9,5	9	0,007 (0,012)	B-102N

>> Coils



U04 with integrated upward 90° connector



U04 with in-line connector



U04 with loose wires (300 mm length)



U04 with in-line connector with protecting cover for complete tightness

(a) = upon request: 0 bar operation

(b) = the value in brackets indicates the mass with coil (0,015 Kg with 300 mm loose wires)

For technical features of coils and connector, see section "Accessories>Coils"

Nanovalves are supplied without coil and connector, to be ordered separately.