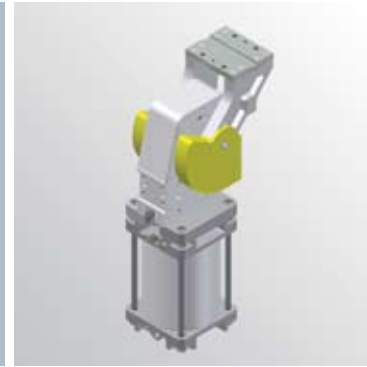


LAGP600

Power pivot



L	A	G	P	6	0	0	V	U	0	9	0	B
1		2	3			4	5	6			7	

1 Series	2 Version	3 Size
-----------------	------------------	---------------

LAG = Power pivot with predetermine pivot rotation in degrees

P = Pneumatic standard

600

4 Table position	5 Sensing style	6 Pivot rotation in degrees
-------------------------	------------------------	------------------------------------

V = Vertical 180°

O = Horizontal 90°

Z = Vertical mount style symmetrical to V mount style.

Max. opening angle 120°

P = Horizontal mount style symmetrical to O mount style.

Max. opening angle 60°

U = Electronic sensor with M12 swivel connector, 24 Vcc.

120 = 120°

090 = 90°

060 = 60°

045 = 45°

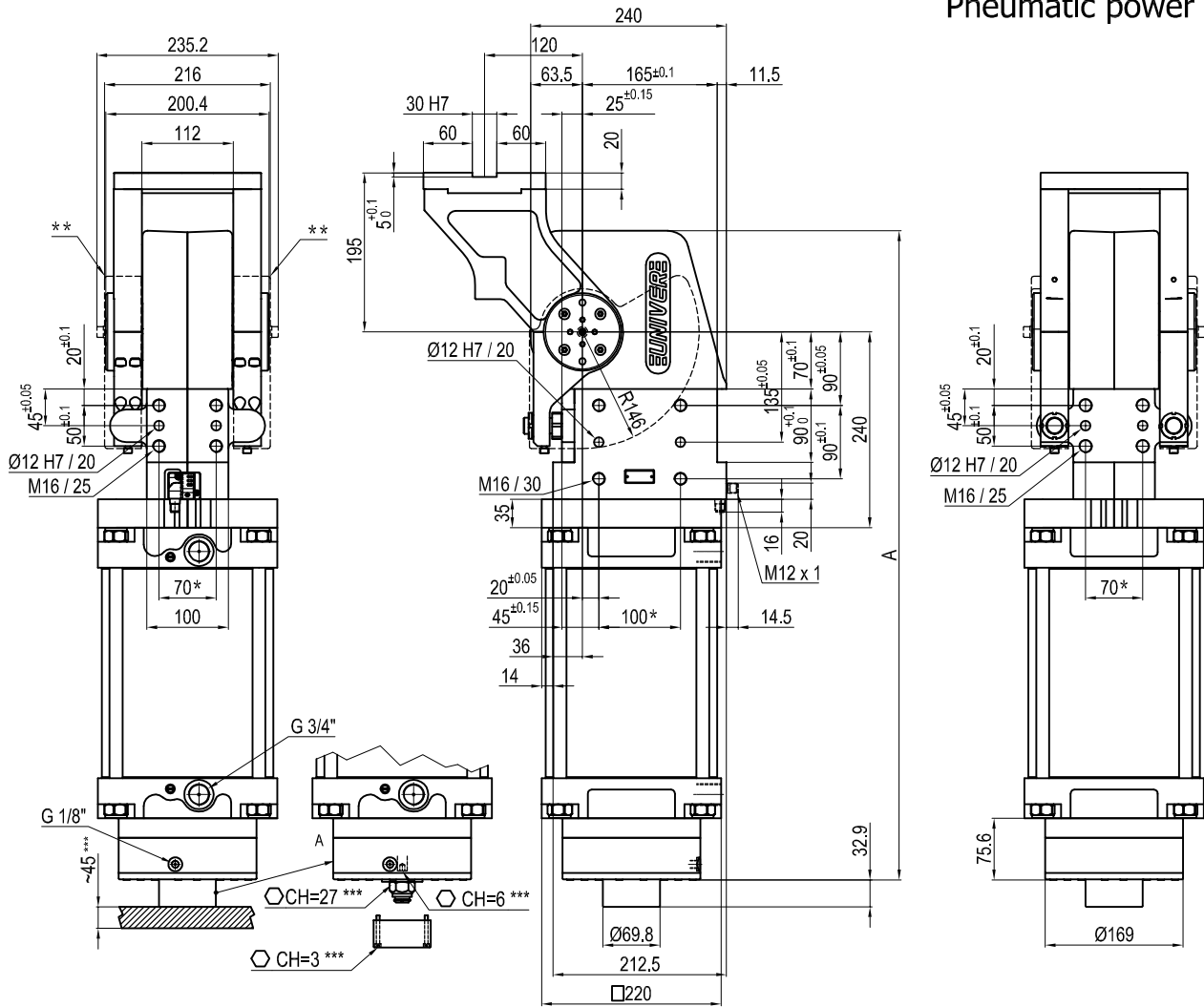
7 Brake system

B = With brake system

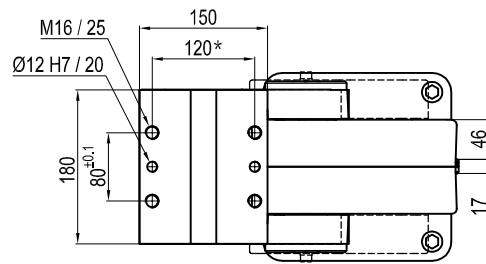
W = Without brake system



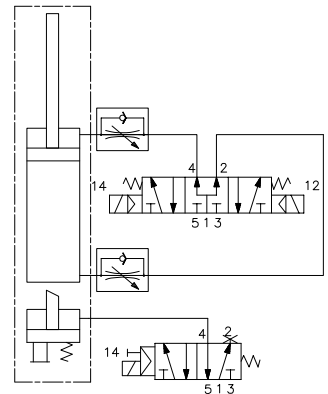
Pneumatic power pivot



Pivot rotation in degrees	A
45°	702.5
60°	718.5
90°	754.5
120°	795.5



Passive Safety brake:
it stops in absence of signal
conforming to 89/392/CEE
Directive



Size	Holding moment	Max. torque at the rotary table 0,55 MPa	Weight
600	8000 Nm	600 Nm	52 Kg

Min./Max. operating pressure: **0,4 / 0,8 MPa**

Operating temperature: **5° ÷ 45° C**

Predetermine pivot rotation in degrees: **45° - 60° - 90° - 120°**

Horizontal arm mount position

Electronic 24 Vdc sensor with M12 swivel connector that can be orientated at 0° or 90°

Protection class: **IP 65**

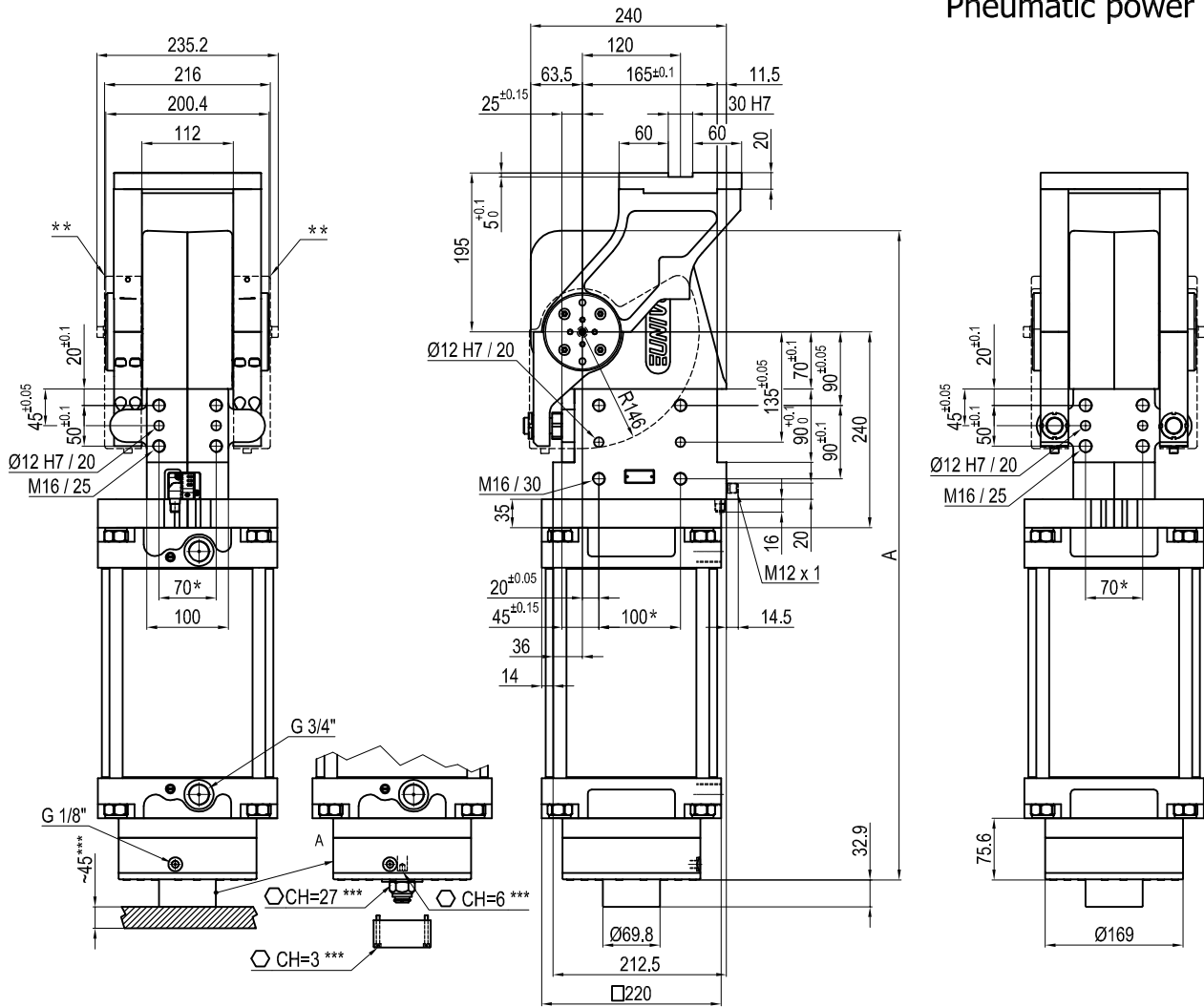
* : TOLERANCE BETWEEN DOWEL HOLES ± 0.02, TO SCREW HOLES ± 0.1

** : TO BE ORDERED SEPARATELY

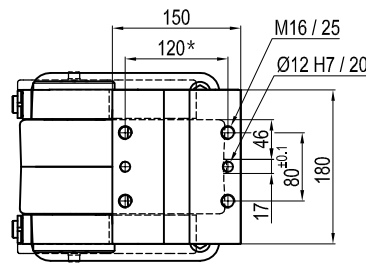
*** : AREA TO ACCESS THE MANUAL UNBLOCKING OF THE SAFETY BRAKE.

Subject to technical modifications without notice.

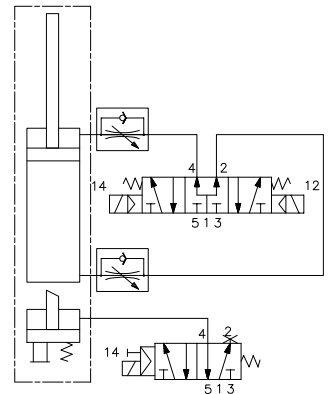
Pneumatic power pivot



Pivot rotation in degrees	A
45°	702.5
60°	718.5



Passive Safety brake:
it stops in absence of signal
conforming to 89/392/CEE
Directive



Size	Holding moment	Max. torque at the rotary table 0,55 MPa	Weight
600	8000 Nm	600 Nm	52 Kg

Min./Max. operating pressure: **0,4 / 0,8 MPa**

Operating temperature: **5° ÷ 45° C**

Predeterminate pivot rotation in degrees: **45° - 60°**

Horizontal arm mount position

Electronic 24 Vdc sensor with M12 swivel connector that can be orientated at 0° or 90°

Protection class: **IP 65**

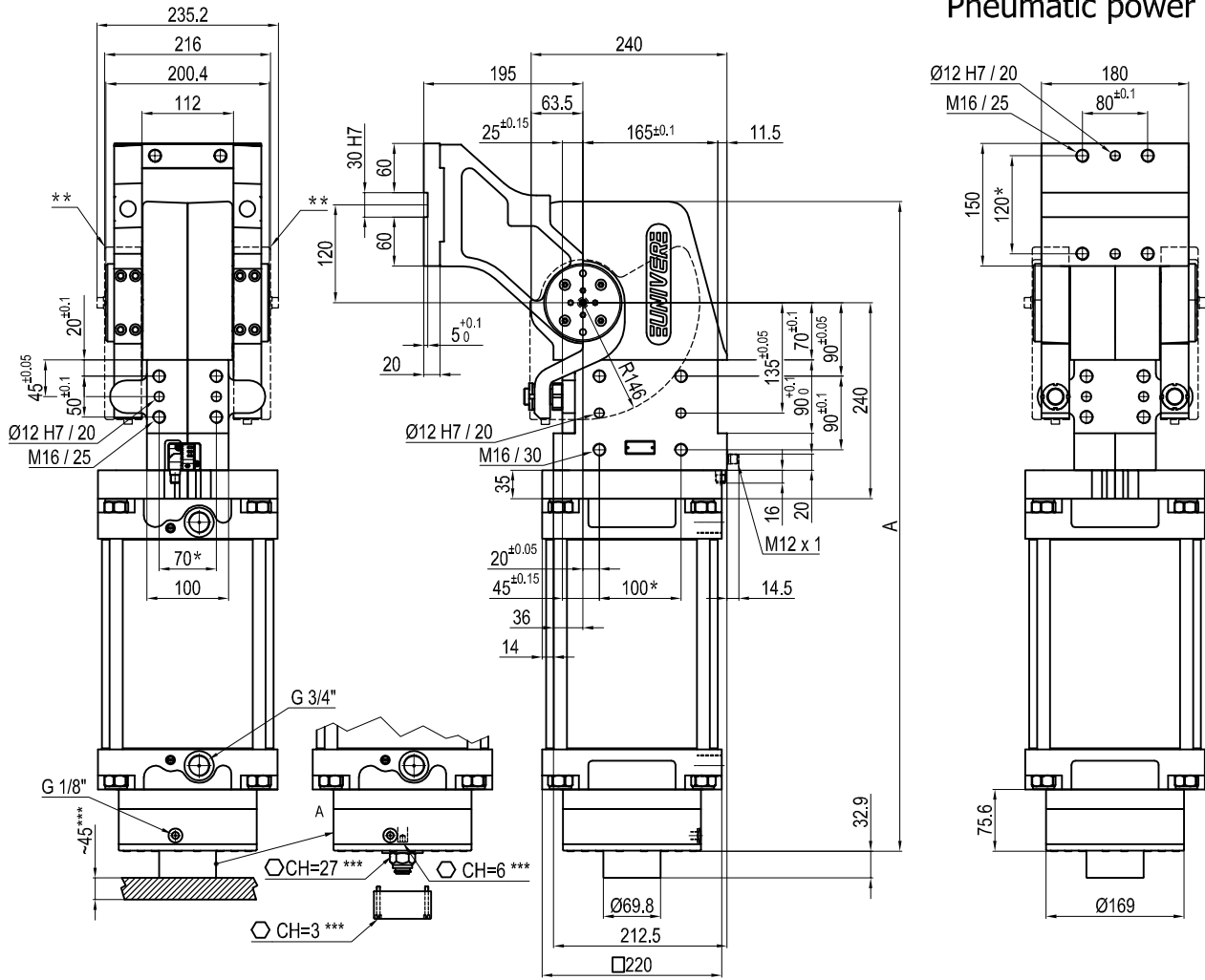
* : TOLERANCE BETWEEN DOWEL HOLES ± 0.02, TO SCREW HOLES ± 0.1

** : TO BE ORDERED SEPARATELY

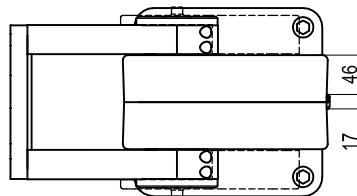
*** : AREA TO ACCESS THE MANUAL UNBLOCKING OF THE SAFETY BRAKE.

Subject to technical modifications without notice.

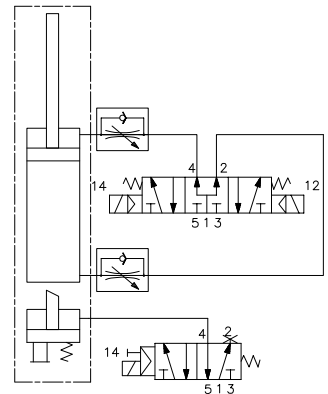
Pneumatic power pivot



Pivot rotation in degrees	A
45°	702.5
60°	718.5
90°	754.5
120°	795.5



Passive Safety brake:
it stops in absence of signal
conforming to 89/392/CEE
Directive



Size	Holding moment	Max. torque at the rotary table 0,55 MPa	Weight
600	8000 Nm	600 Nm	52 Kg

Min./Max. operating pressure: **0,4 / 0,8 MPa**

Operating temperature: **5° ÷ 45° C**

Predeterminate pivot rotation in degrees: **45° - 60° - 90° - 120°**

Vertical arm mount position

Electronic 24 Vdc sensor with M12 swivel connector that can be orientated at 0° or 90°

Protection class: **IP 65**

* : TOLERANCE BETWEEN DOWEL HOLES ± 0.02, TO SCREW HOLES ± 0.1

** : TO BE ORDERED SEPARATELY

*** : AREA TO ACCESS THE MANUAL UNBLOCKING OF THE SAFETY BRAKE.

Subject to technical modifications without notice.