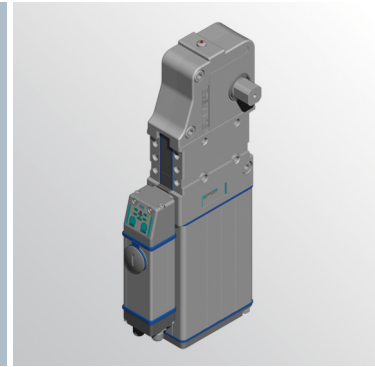


LNE225

Power clamp conforming to NAAMS Standards



L	N	E	2	2	5	N	L	2	0
1		2			3	4	5		

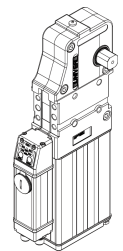


1 Series	2 Size	3 Arm style
-----------------	---------------	--------------------

LNE = Power clamp conforming to NAAMS Standards

225

N = No arm



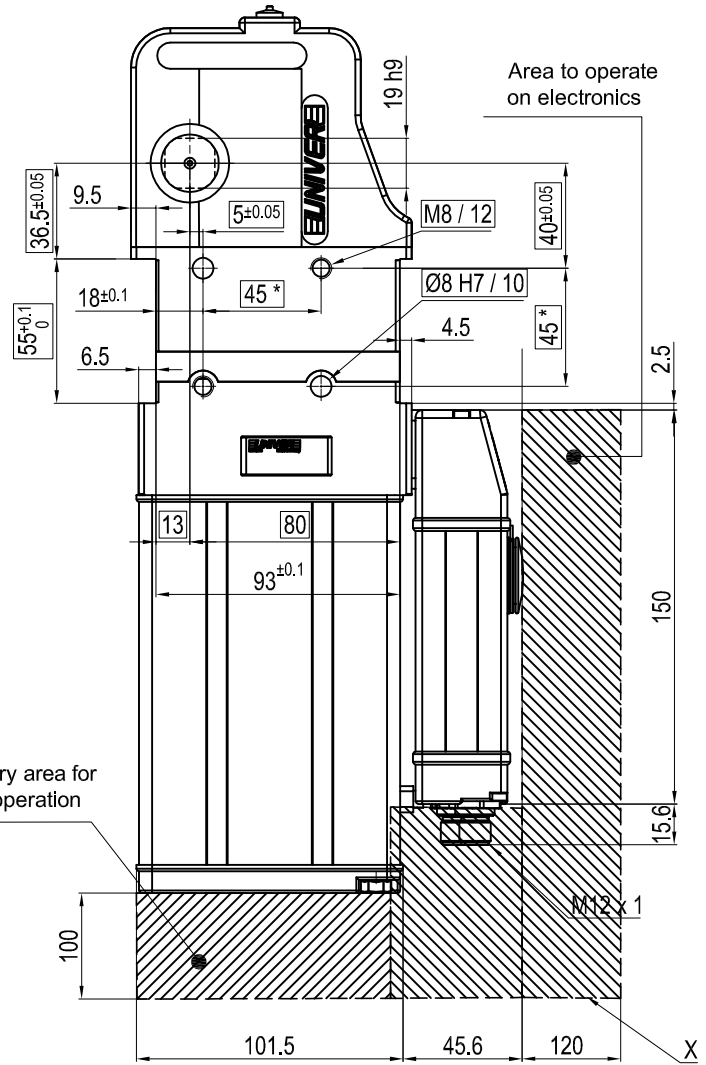
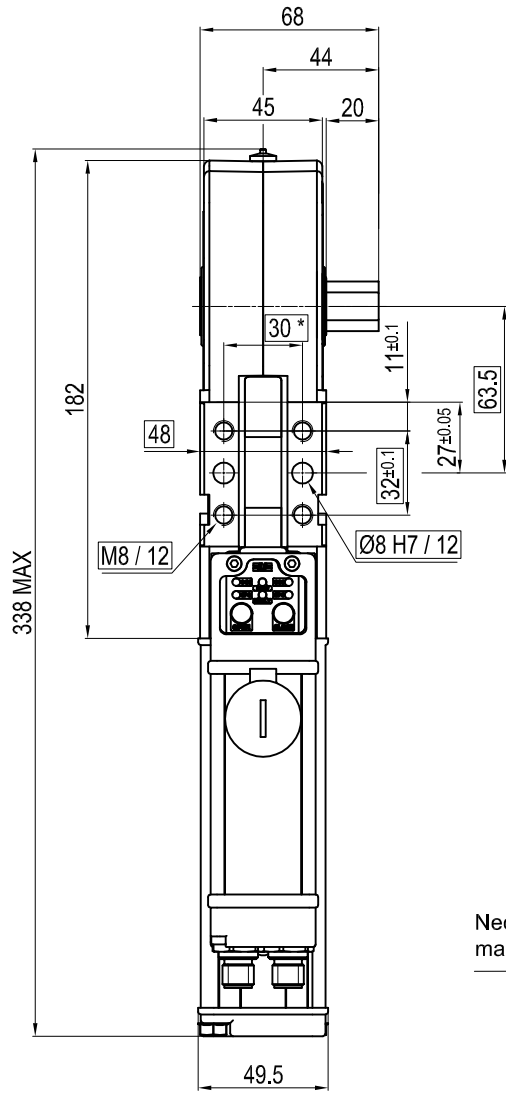
4 Output shaft mounting options	5 Control module
--	-------------------------

N = Dual square shaft
L = left side only
R = right side only

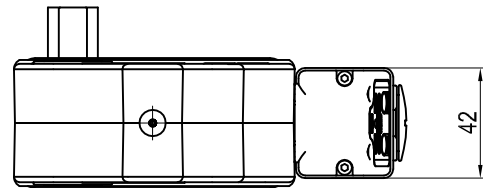
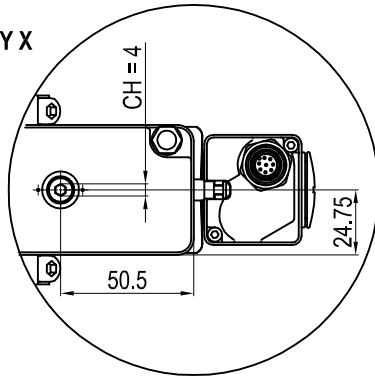
20 = 2 connectors - standard software



ELECTRIC TOGGLE LEVER CLAMP LNE 225 NR 20 SERIES



SEEN BY X



* : TOLERANCE FOR DOWEL HOLES ± 0.02
FOR SCREW HOLES ± 0.1

Temperature range : $5^{\circ} \div 40^{\circ}\text{C}$

Opening angles available : $130^{\circ} - 105^{\circ} - 90^{\circ} - 75^{\circ} - 60^{\circ} - 45^{\circ} - 30^{\circ} - 15^{\circ}$
Without arm

Class protection : **IP 65**

The quotas in the panel refer to NAAMS norms

Size	Clamping Torque	Sec. to clamping point	Max weight
225	225 Nm	1 sec x 90°	3,9 Kg.

Subject to technical modifications without notice

Ordering code

LNE 225 N R 2 0

Series | Size | Clamping arm | Exit square shaft | Module

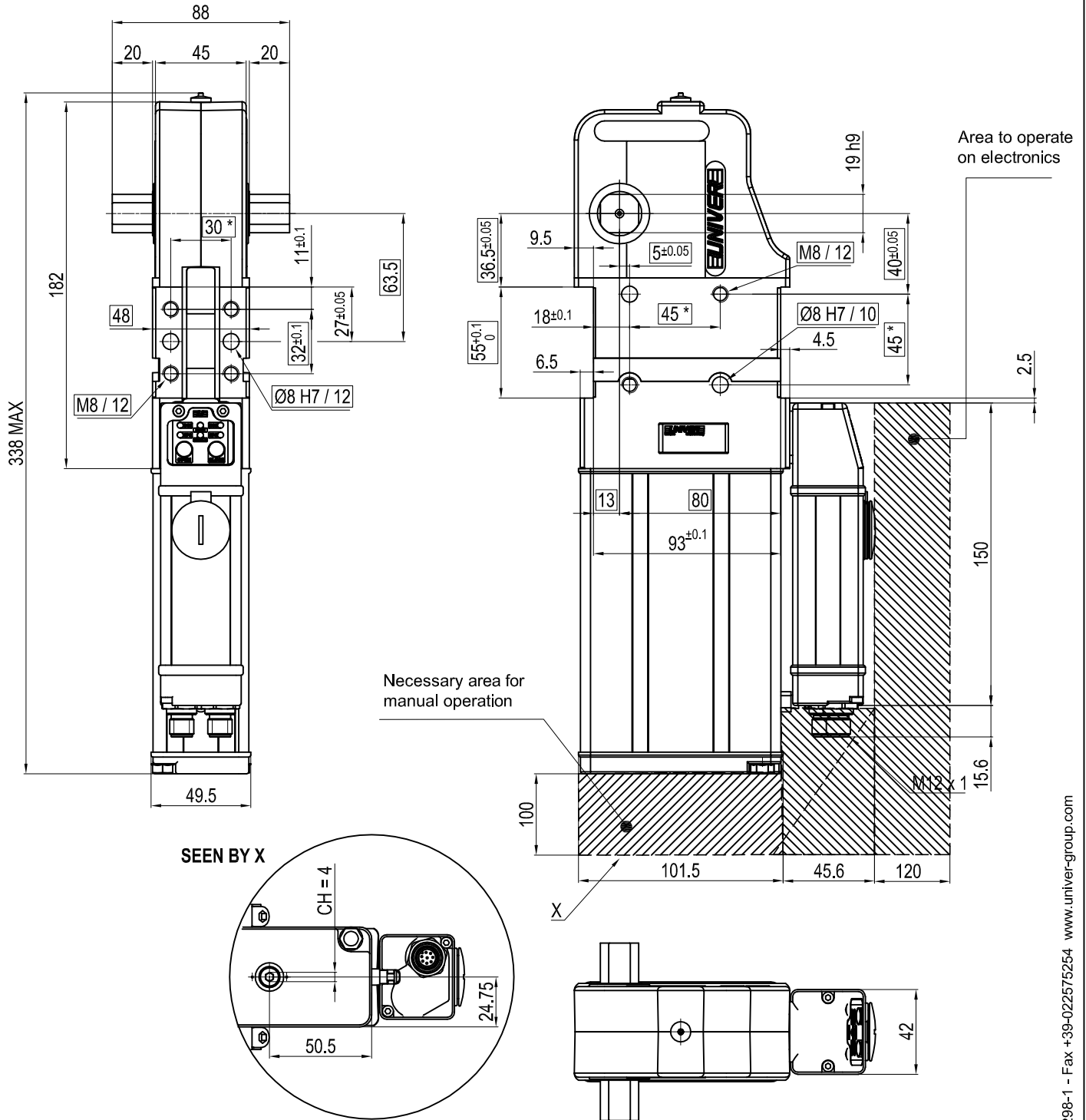
UNIVER S.p.A. Headquarters:

I - 20128 MILANO Via Eracifio, 31 - Tel. +39-0225298-1 - Fax +39-022525254 - www.univer-group.com

A TERMINE DI LEGGE CI RISERVIAMO LA PROPRIETÀ DI QUESTO DISEGNO CON DIVIETO ASSOLUTO DI RIPRODURLO O DI RENDERSI COMUNQUE NOTO A TERZI O DITTE CONCORRENTI SENZA NOSTRA SPECIFICA AUTORIZZAZIONE

Rev. 02 del | 01 | 02 | 06 |

Page. **E01.02**



* : TOLERANCE FOR DOWEL HOLES ± 0.02
FOR SCREW HOLES ± 0.1

Temperature range : $5^{\circ} + 40^{\circ}\text{C}$
Opening angles available : $130^{\circ} - 105^{\circ} - 90^{\circ} - 75^{\circ} - 60^{\circ} - 45^{\circ} - 30^{\circ} - 15^{\circ}$
Without arm
Class protection : **IP 65**

The quotas in the panel refer to NAAMS norms

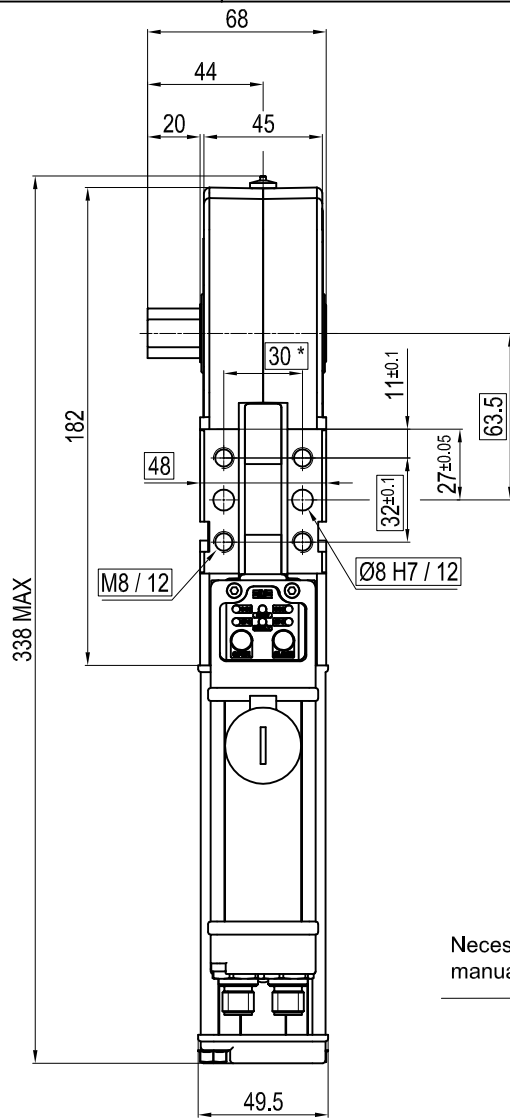
Size	Clamping Torque	Sec. to clamping point	Max weight
225	225 Nm	1 sec x 90°	3,9 Kg.

Subject to technical modifications without notice

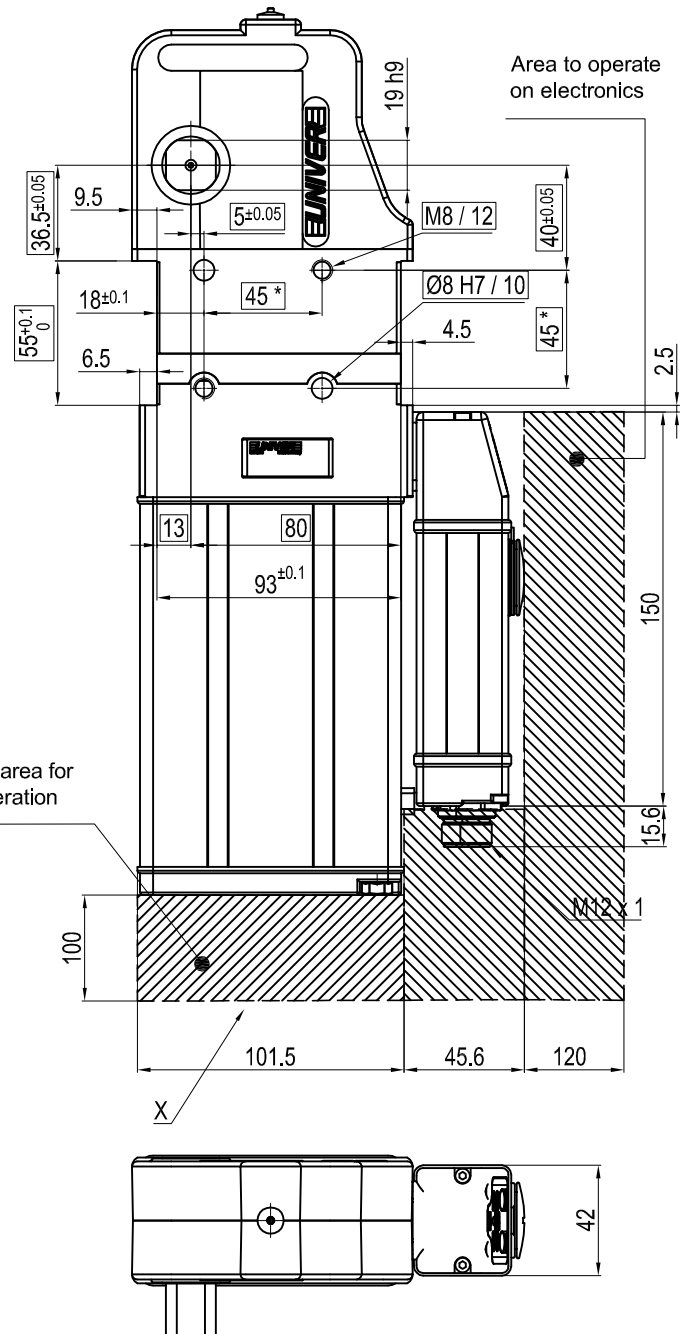
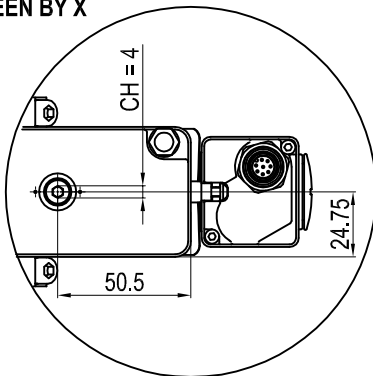
Ordering code

LNE 225 N N 2 0

Series | Size | Clamping arm | Exit square shaft | Module



SEEN BY X



Ordering code

LNE 225 N L 2 0

Module
Exit square shaft
Clamping arm
Size
Series

Temperature range : $5^{\circ} \div 40^{\circ}\text{C}$
Opening angles available : $130^{\circ} - 105^{\circ} - 90^{\circ} - 75^{\circ} - 60^{\circ} - 45^{\circ} - 30^{\circ} - 15^{\circ}$
Without arm
Class protection : IP 65

The quotas in the panel refer to NAAMS norms

Size	Clamping Torque	Sec. to clamping point	Max weight
225	225 Nm	1 sec x 90°	3,9 Kg.

Subject to technical modifications without notice

* : TOLERANCE FOR DOWEL HOLES ± 0.02
FOR SCREW HOLES ± 0.1

Rev. 02 del 01 | 02 | 06

Pag. **E01.03**