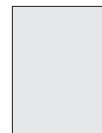




SENZORI

# Sen



TEMPERATURNI SENZORI  
TEMPERATURNI SENZORI SMD  
DIGITALNI TERMOMETRI  
SENZORI PRITISKA  
HALL SENZORI





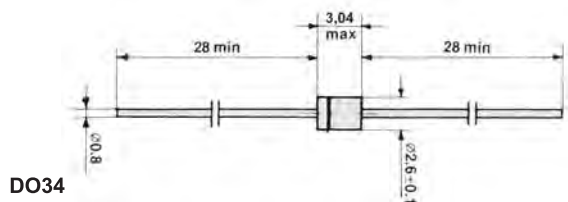
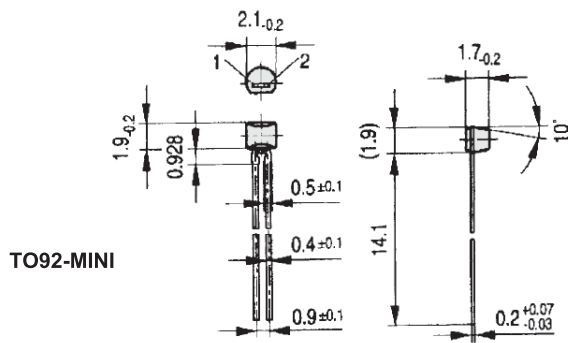
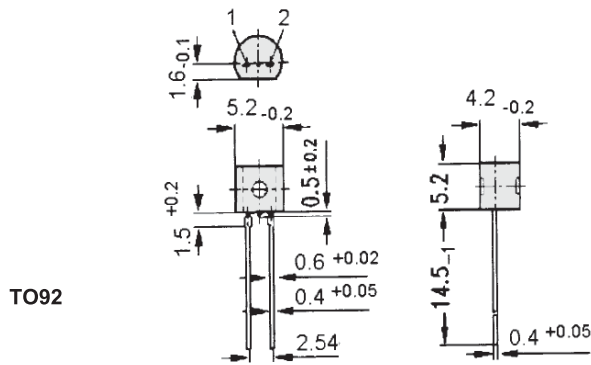
# SENZORI

# SEN

## TEMPERATURNI SENZORI . . . . . SEN-KT

| Tip       | Cena | Tolerancija % | R (KΩ) 25°C | Case      |
|-----------|------|---------------|-------------|-----------|
| KT100     | 2,00 | ± 3           | 2           | TO92      |
| KT110     | 4,00 | ± 3           | 2           | TO92 mini |
| KTY10     | 3,50 | ± 3           | 2           | TO92      |
| KTY10-6   | 3,00 | ± 1           | 2           | TO92      |
| KTY81-210 | 2,00 | ± 1           | 2           | TO92      |
| KTY83-110 | 1,50 | ± 1           | 1           | DO34      |
| KTY83-120 | 1,20 | ± 2           | 1           | DO34      |
| KTY83-121 | 1,40 | ± 2           | 1           | DO34      |

Temperaturni opseg: -50-150°C





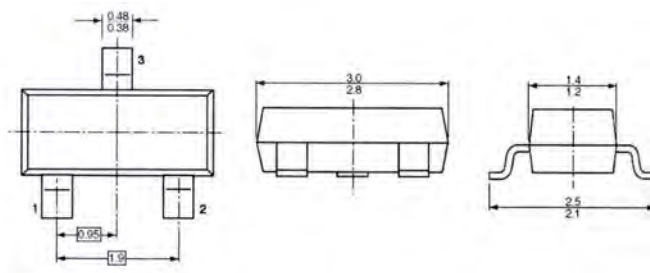
# SENZORI

# SEN

## TEMPERATURNI SENZORI SMD . . . . . SENSMD

| Tip       | Cena | R <sub>25</sub> (Ω) | TC (%/K) | I <sub>cont</sub> (mA) | Case  |
|-----------|------|---------------------|----------|------------------------|-------|
| KTY82-110 | 2,00 | 990...1010          | 0,79     | 10                     | SOT23 |
| KTY82-210 | 1,80 | 1980...2020         | 0,79     | 10                     | SOT23 |
| KTY82-220 | 1,50 | 1960...2040         | 0,79     | 10                     | SOT23 |

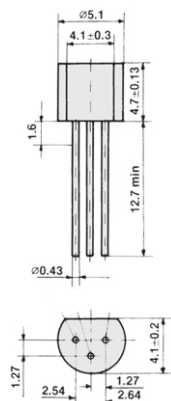
Temperaturni opseg: -50-150°C



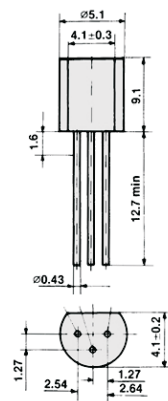
SOT23

## DIGITALNI TERMOMETRI . . . . . SEN-DS

| Tip     | Cena  | Acc (°C) | MR (bit) | Tamb(°C)   | Case  |
|---------|-------|----------|----------|------------|-------|
| DS18B20 | 20,00 | ±0,5     | 9...12   | -55...+125 | TO-92 |
| DS18S20 | 20,00 | ± 0,5    | 9        | -55...+125 | TO-92 |
| DS1821  | 25,00 | ± 1      | 8        | -55...+125 | PR35  |
| DS1822  | 14,00 | ± 2      | 9...12   | -55...+125 | PR35  |



TO92



PR35



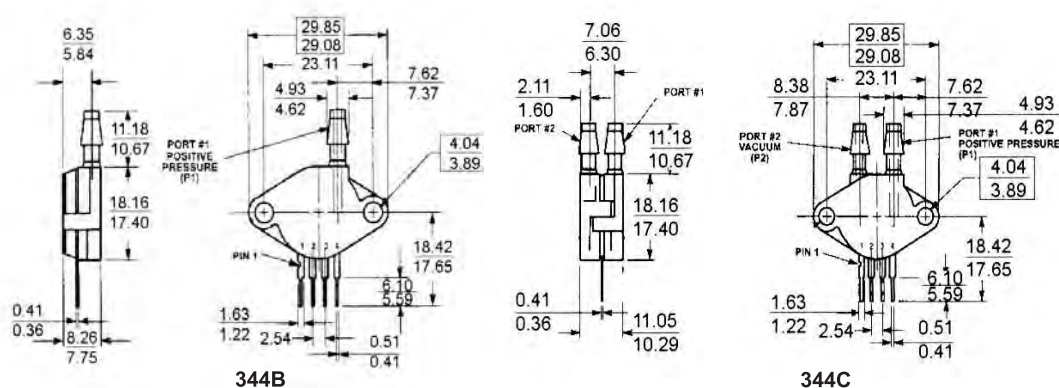
# SENZORI

# SEN

## SENZORI PRITISKA . . . . . SEN-MPX

| Tip          | Cena  | Vs [V]      | Tolerancija (%) | PR (kPa) | Sens (mV/kPa) | Lin (%)   | Case  |
|--------------|-------|-------------|-----------------|----------|---------------|-----------|-------|
| MPX12DP      | 56,00 | 3...6       | -0,5 / +5       | 0...10   | 5,5           | -0,5/+5   | 344C  |
| MPX2010DP    | 68,00 | 10...16     | ± 1             | 0...10   | 2,5           | ±1        | 344C  |
| MPX2010GP    | 68,00 | 10...16     | ± 1             | 0...10   | 2,5           | ±1        | 344B  |
| MPX2050DP    | 76,00 | 10...16     | ± 0,25          | 0...50   | 0,8           | ±0,25     | 344C  |
| MPX2050GP    | 76,00 | 10...16     | ± 0,25          | 0...50   | 0,8           | ± 0,25    | 344B  |
| MPX2053DP    | 66,00 | 10...16     | -0,6/+0,4       | 0...50   | 0,8           | -0,6/+0,4 | 344C  |
| MPX2053GP    | 66,00 | 10...16     | -0,6/+0,4       | 0...50   | 0,8           | -0,6/+0,4 | 344B  |
| MPX2100AP    | 76,00 | 10...16     | ± 1             | 0...100  | 0,4           | ±1        | 344B  |
| MPX2100DP    | 76,00 | 10...16     | ± 0,25          | 0...100  | 0,4           | ±0,25     | 344C  |
| MPX4115A     | 84,00 | 4,85...5,35 | ± 1,5           | 0...115  | 45,9          | ±1,5      | 867   |
| MPX4250A     | 84,00 | 4,85...5,35 | ±1,5            | 20...250 | 20            | ±1,5      | 867   |
| MPX4250DP    | 86,00 | 4,85...5,35 | ±1,4            | 0...250  | 18,8          | ±1,4      | 867C  |
| MPX5500DP    | 88,00 | 4,75...5,25 | ±2,5            | 0...500  | 9,0           | ±2,5      | 867C  |
| MPX5999D     | 84,00 | 4,75...5,25 | ±2,5            | 0...1000 | 4,5           | ±2,5      | 867C  |
| MPXA6115A6U  | 82,00 | 4,75...5,25 | ±1,5            | 15...115 | 45,9          | ±1,5      | 482   |
| MPXA6115AC6U | 85,00 | 4,75...5,25 | ±1,5            | 15...115 | 45,9          | ±1,5      | 482A  |
| MPXH6115A6U  | 65,00 | 4,75...5,25 | ±1,5            | 15...115 | 45,9          | ±1,5      | 1317  |
| MPXH6115AC6U | 69,00 | 4,75...5,25 | ±1,5            | 15...115 | 45,9          | ±1,5      | 1317A |

Vs=Napon napajanja, PR= opseg pritiska, Sens=osetljivost,Lin=linearnost

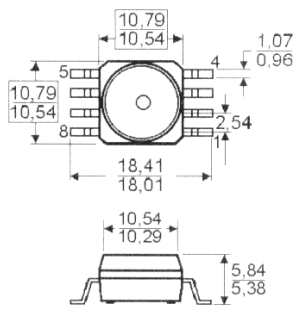




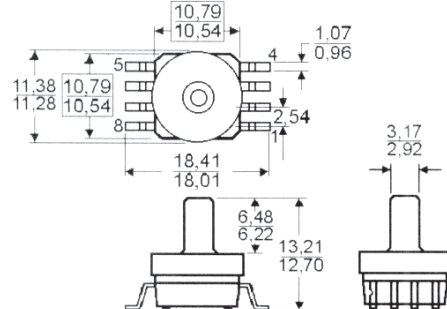
# SENZORI

# SEN

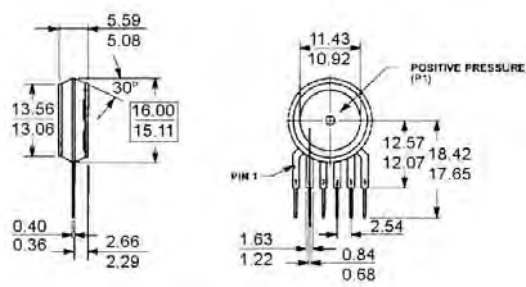
## SENZORI PRITISKA . . . . . SEN-MPX



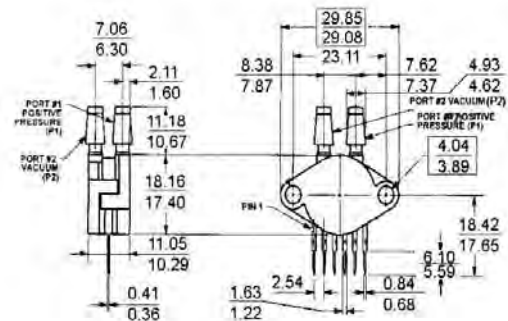
482



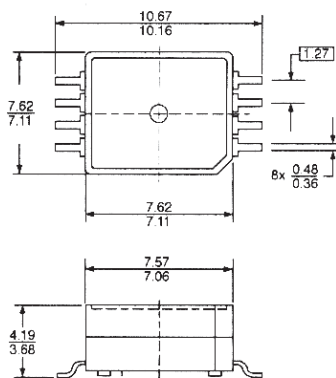
482A



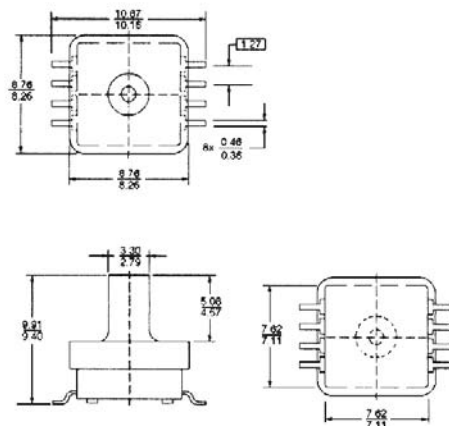
867



867C



1317



1317A





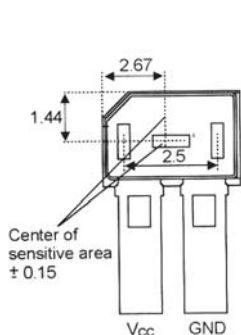
# SENZORI

# SEN

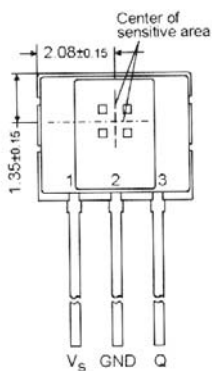
## HALL SENZORI . . . . . SEN-TLE

| Tip      | Cena | Pol      | B <sub>OP</sub> (mT) | B <sub>RP</sub> (mT) | Δ B(mT)   | Case     |
|----------|------|----------|----------------------|----------------------|-----------|----------|
| TLE4905G | 3,00 | unipol.  | 7...8                | 5...16               | +5...+18  | SOT89    |
| TLE4905L | 2,50 | unipol.  | 7...8                | 5...16               | +5...+18  | PSS03-2  |
| TLE4913  | 3,00 | omnipol. | 2..5/-5...-2         | 1,2...4,2/4,2...1,2  | -3,5/+3,5 | SC59-3   |
| TLE4917  | 3,00 | omnipol. | 3,5...7/-7...-3,5    | 2,2...6/-6...-2,2    | -5/+5     | PTSOP6-6 |
| TLE4923  | 8,00 | diff.    | -                    | -                    | -40/+40   | PSS03-6  |
| TLE4935G | 2,50 | bip.     | 10...20              | -20...-10            | -20/+20   | SOT89    |
| TLE4935L | 2,50 | bip.     | 10...20              | -20...-10            | -20/+20   | PSS03-2  |
| TLE4942  | 9,00 | diff.    | -                    | -                    | -120/+120 | PSS02-1  |
| TLE4945L | 2,50 | bip.     | -6...10              | -10...6              | -10/+10   | PSS03-2  |

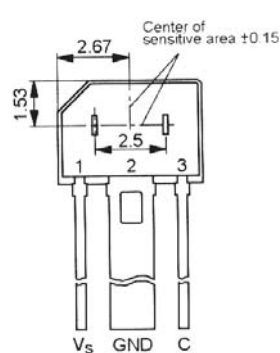
Pol=Polarizacija, B<sub>OP</sub>=Indukcija nuključivanja, B<sub>RP</sub>=Indukcija isključivanja, Lin=linearnost  
 ΔB=Diferencijalna indukcija



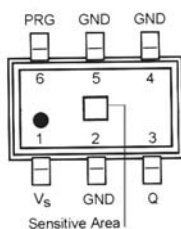
PSS02-1



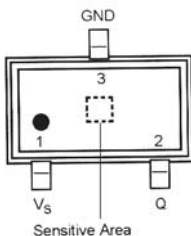
PSS03-2



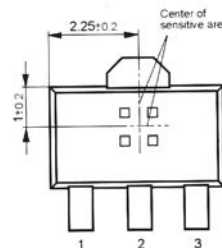
PSS03-6



PTSOP6-6



SC59-3



SOT89