

Inline Heaters

10

Specifications

- Air temperatures to 1400°F (760°C)
- For applications requiring high pressure air
- Both ends threaded 3/8", 1/2", 1-1/4", and 2-1/2" NPT
- 304 Stainless Steel housing
- CE compliant



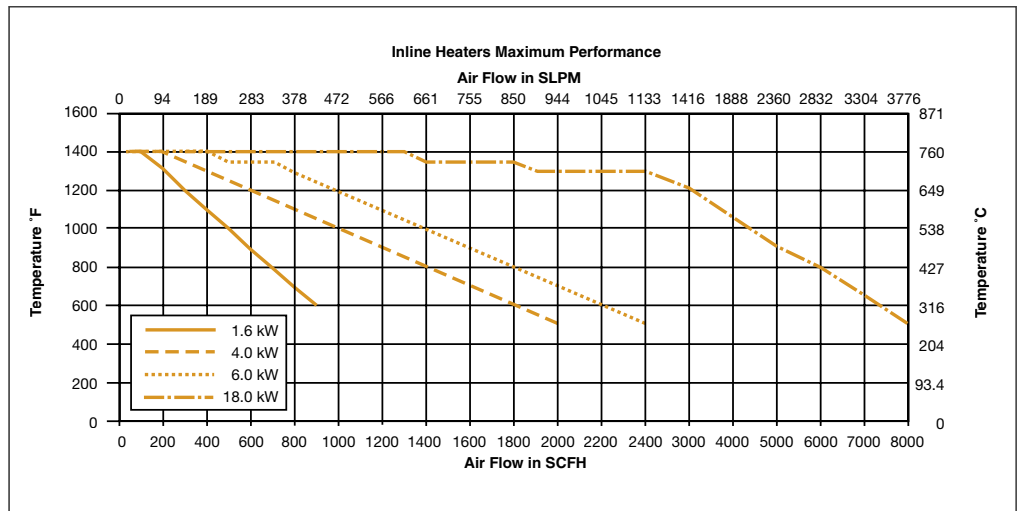
Style A

- Should be used whenever an absolute leak-proof system (up to 150 PSI) is required
- Two high temperature power feedthroughs
- Maximum inlet temperature 900°F (482°C)

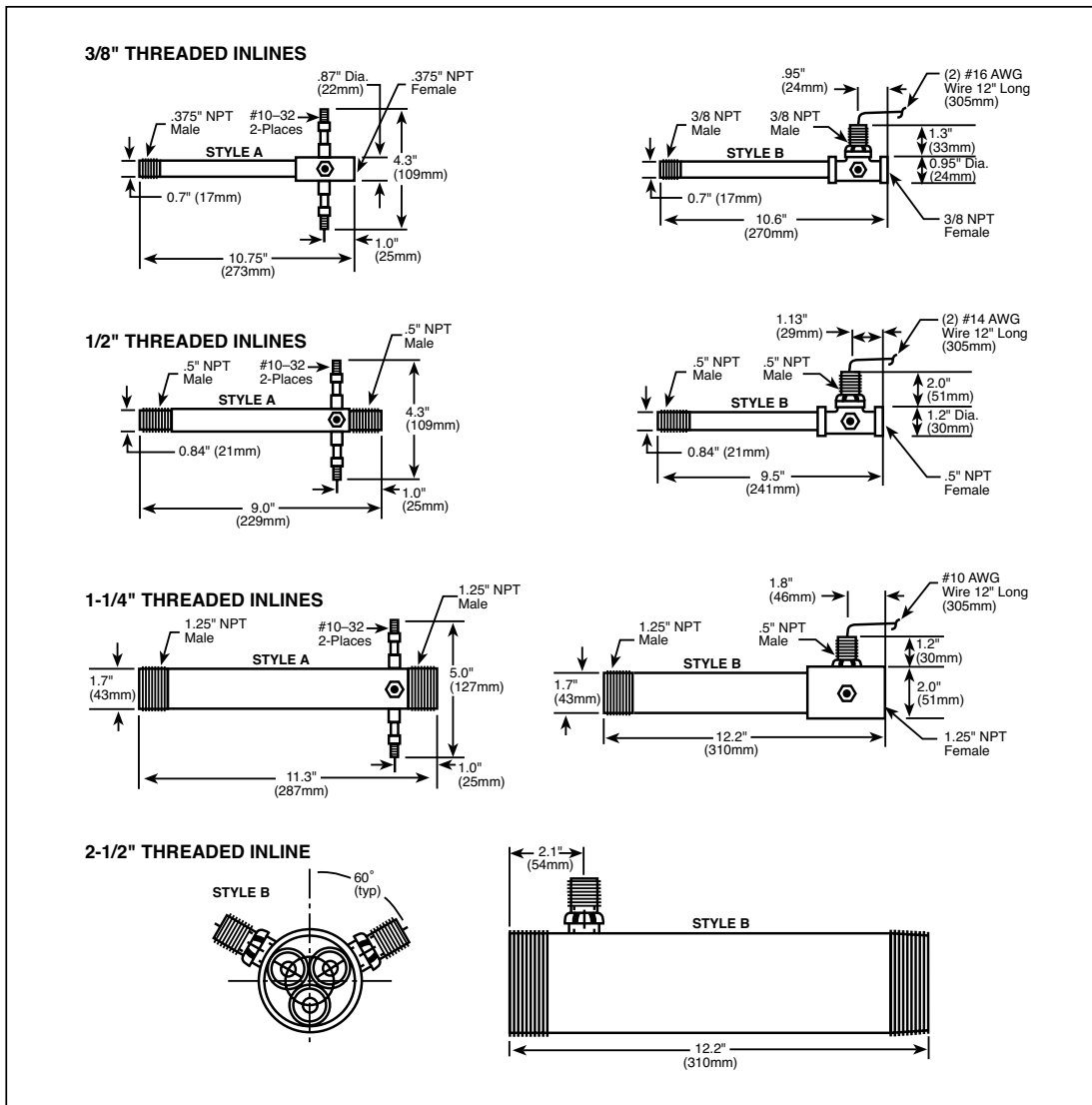
Style B

- Maximum air pressure 150 PSI, but will have slight air leakage through power wire strands
- 12" (305mm) flexible power wires
- Maximum inlet temperatures 200°F (93°C)

Performance



Installation



Products

Heater Size (NPT)	Max. Watts	Max. Volts	Max. Amps	Part No., Style A	Part No., Style B
3/8"	1.6kW	170	9.4	038821	038822
1/2"	4.0kW	220	18.2	038823	038824
1-1/4"	6.0kW	220	27.3	038825	038826
2-1/2"	18.0kW	240	75.0 (1 ϕ) / 44.0 (3 ϕ)	N/A	063007

Accessories

Part Number	Description
057081	Open loop (manual) power control, 240V, 25A
066823	Closed loop power control, 240V, 30A
070429	Temperature controller — 1/6 DIN, 4-20mA
039272	"K" Type Thermocouple Probe