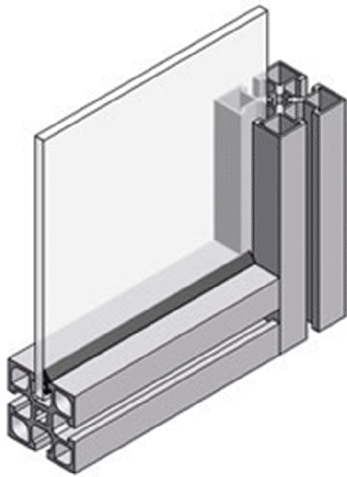




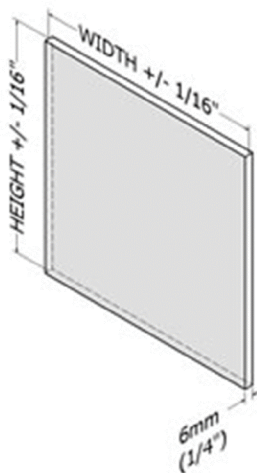
Clear Polycarbonate 6mm Thick

Part. N° 21.1830



APPLICATIONS

- Machine guards & machine enclosures
- Polycarbonate is extremely tough & resistant to cracking
- In plant office & door windows





TECHN. DATA / ITEMS SUPPLIED

- Clear Polycarbonate 6mm thick (.22")

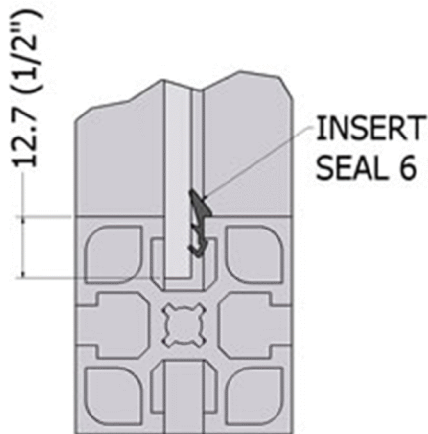
- Order cut to rectangular size +/- 1/16"

- Lexan™ is GE's brand of polycarbonate. [See Spec. Sheet](#)

- Max size 60" x 120"

- Panel machining services available

- Weight - 1.28lbs/sqft



ASSEMBLY

- Frame in t-slots on all four sides & take up gap using [Insert Seal 6](#)

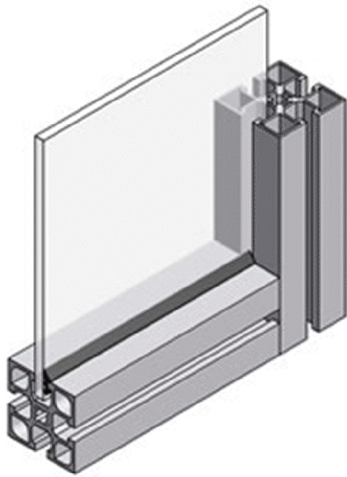
- Screw to frame to make a removeable panel using [Screw Block 32](#)

- Bolt directly to t-slots ([see picture](#))



1/4" Clear Tempered Safety Glass

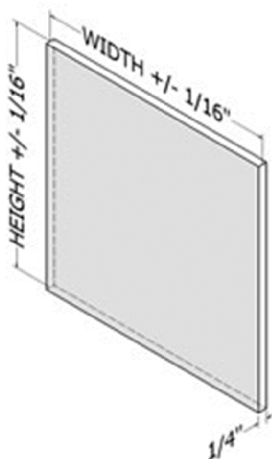
Part. N° 21.9570



APPLICATIONS

-Enclosures where chemicals will damage clear polycarbonate, part # 21.1830

- Tempered glass breaks into small pieces that are not sharp. It is commonly used for the side windows on cars





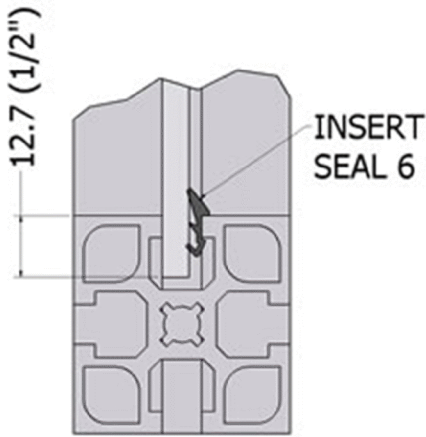
TECHN. DATA / ITEMS SUPPLIED

- Clear Tempered glass 1/4" thick

- Order cut to rectangular size +/- 1/16"

- Panel machining services available

- Weight - 3.38lbs/sqft



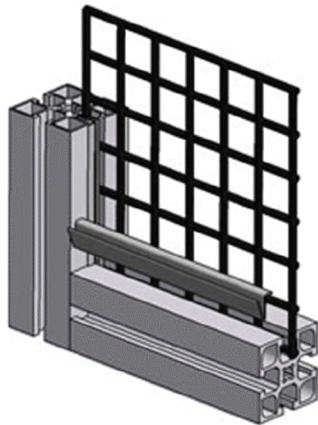
ASSEMBLY

- Frame in t-slots on all four sides & take up gap using Insert Seal 6



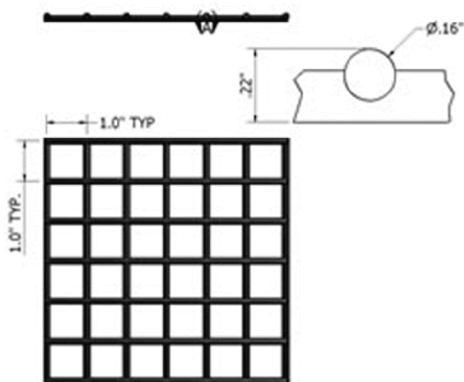
Black Weldmesh 1"x1"

Part. N° 21.9510



APPLICATIONS

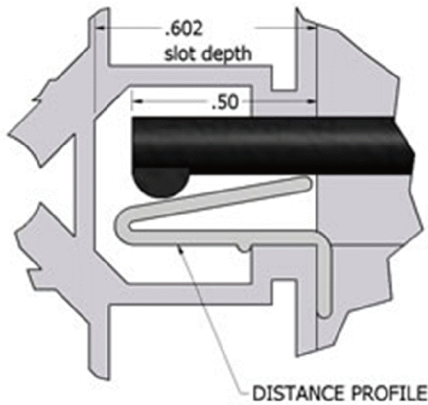
- Machine enclosures & machine guards
- Barrier guarding
- Perimeter guarding
- Openings large enough to allow fingers thru. Use solid panels or smaller mesh when dangerous machinery is 8" from panel.





TECHN. DATA / ITEMS SUPPLIED

- 12 gauge steel wire with black pvc coating
- Wires welded together at every intersection
- Order cut to size
- Full sheet 4' x 8'
- Weight - .78 lbs/sqft



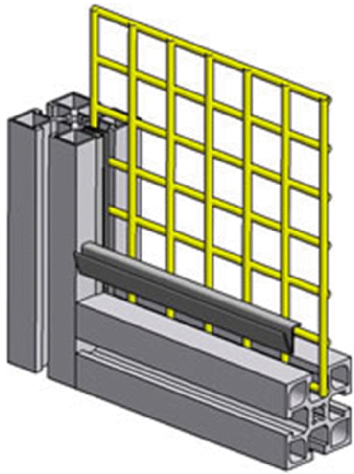
ASSEMBLY

- No processing required.
- Cut 1" wider than profile opening & frame in t-slots on all 4 sides
- Take up excess gap using [Distance Profile](#)



Yellow Weldmesh 1"x1"

Part. N° 21.9511



APPLICATIONS

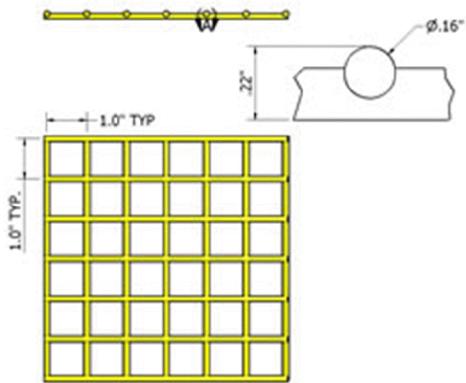
- Machine enclosures & machine guards

- Distinguish machine safety guard doors, removable panels from the rest of the enclosure by color

- Barrier guarding

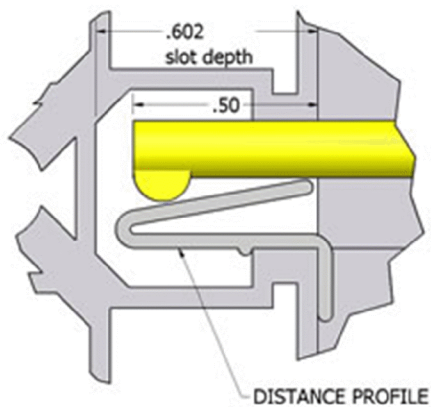
- Perimeter guarding

- Openings large enough to allow fingers thru. Use solid panels or smaller mesh when dangerous machinery is 8" from panel.



TECHN. DATA / ITEMS SUPPLIED

- 12 gauge steel wire with yellow pvc coating
- Wires welded together at every intersection
- Order cut to size
- Full sheet 4' x 8'
- Weight - .78 lbs/sqft





ASSEMBLY

- No processing required.

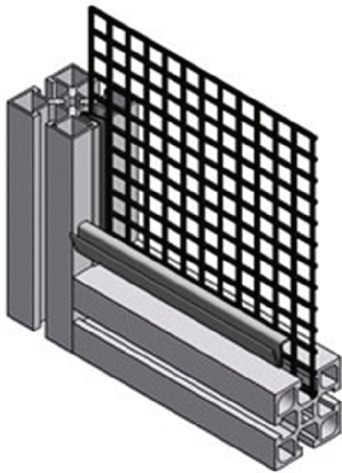
- Cut 1" wider than profile opening & frame in t-slots on all 4 sides

- Take up excess gap using [Distance Profile](#)



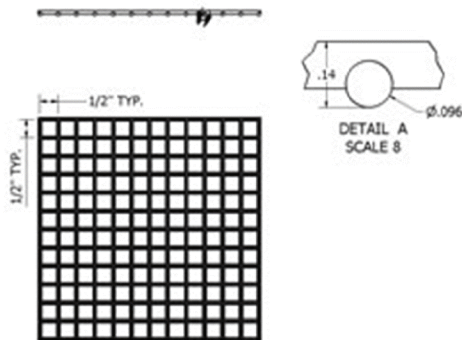
Black Weldmesh 1/2" X 1/2"

Part. N° 21.9513



APPLICATIONS

- Machine enclosures & machine guards
- Barrier guarding
- Perimeter guarding
- Smaller mesh openings prevent fingers from passing thru.



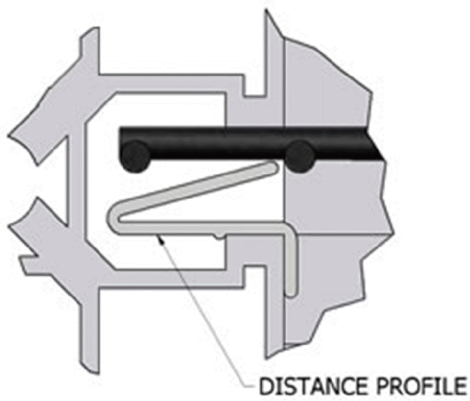
EL

News

Ελεγκτική
Electrolux
Macedonia
Palenzo

TECHN. DATA / ITEMS SUPPLIED

- 14 gauge steel wire with black pvc coating
- Wires welded together at every intersection
- Order cut to size
- Full sheet 4' x 8'



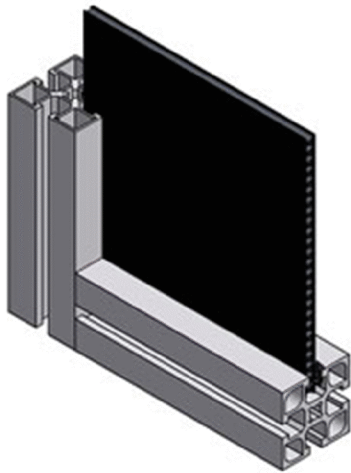
ASSEMBLY

- No processing required.
- Cut 1" wider than profile opening & frame in t-slots on all 4 sides
- Take up excess gap using Distance Profile



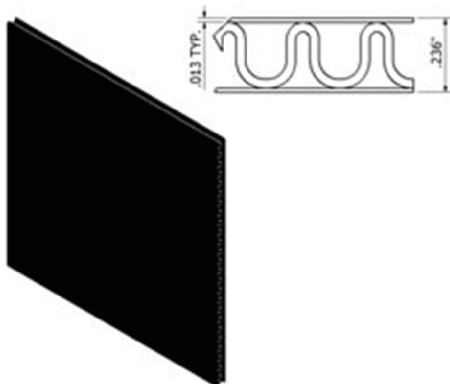
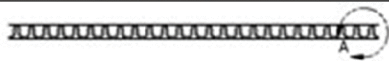
Matte Black Alumalite 6mm

Part. N° 21.9540



APPLICATIONS

- Machine guard & machine enclosure walls & ceilings
- Applications that require a high strength to weight ratio
- Laser enclosures & enclosures where minimal reflections are desired





TECHN. DATA / ITEMS SUPPLIED

- Corrugated plastic core with .013" thick matte black painted skins on both sides

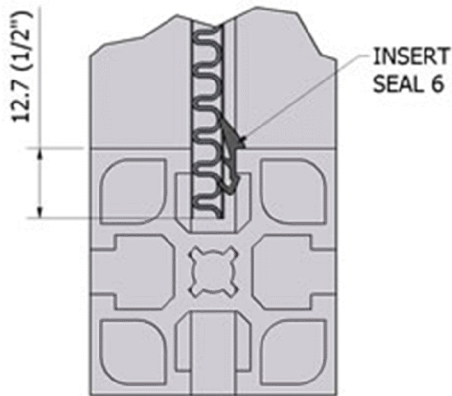
- Factory-baked polyester painted aluminum faces

- Strong and lightweight, Alupalite is the same weight as .040 aluminum sheet metal yet 50 times stronger

- Max size 60" x 120"

- Panel machining services available

- Weight - .78lbs/sq ft



ASSEMBLY

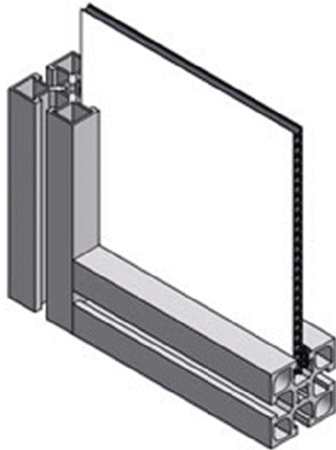
- Frame in t-slots on all four sides & take up gap using Insert Seal 6

- Screw to frame to make a removable panel using Screw Block 32



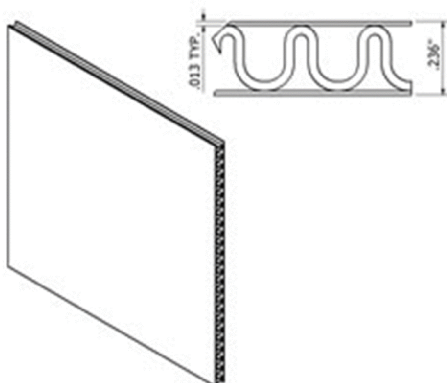
White Alumalite 6mm

Part. N° 21.9541



APPLICATIONS

- Machine guard & machine enclosure walls & ceilings
- Applications that require a high strength to weight ratio
- Clean room walls & enclosures





TECHN. DATA / ITEMS SUPPLIED

- Corrugated plastic core with .013" thick white painted skins on both sides

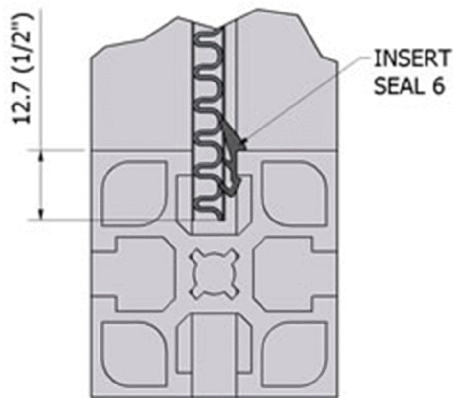
- Factory-baked polyester painted aluminum faces

- Strong and lightweight, Alupalite is the same weight as .040 aluminum sheet metal yet 50 times stronger

- Max size 60" x 120"

- Panel machining services available

- Weight - .78lbs/sq ft



ASSEMBLY

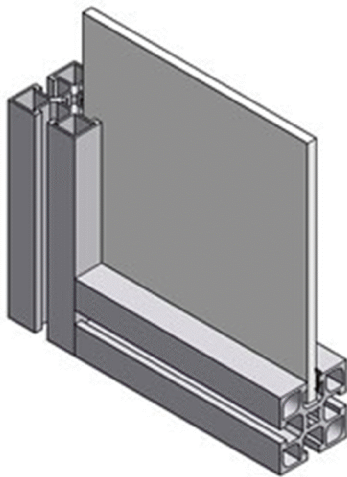
- Frame in t-slots on all four sides & take up gap using Insert Seal 6

- Screw to frame to make a removable panel using Screw Block 32



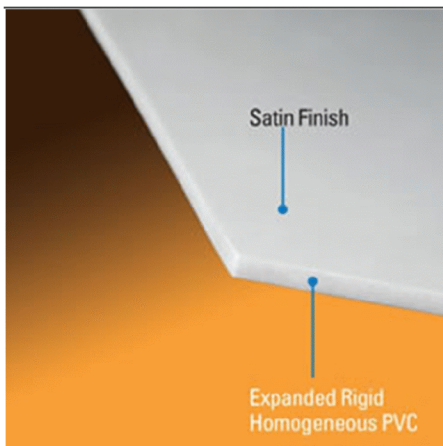
Sintra™ White 6mm(1/4")

Part. N° 21.9555



APPLICATIONS

- Attractive satin white finish on both sides makes this panel ideal for enclosure walls, in plant offices and trade show displays
- Panel is lightweight making it perfect for counter weighted doors & trade show displays
- For clean room & medical applications consider [White alumalite](#)





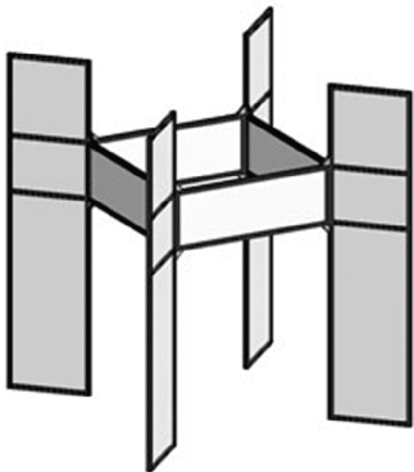
TECHN. DATA / ITEMS SUPPLIED

- Sintra™ is closed cell expanded PVC

- Color White

- Thickness 6mm (.236")

- Weight - kg



ASSEMBLY

- Frame in t-slots on all four sides & take up gap using [Insert Seal 6](#)

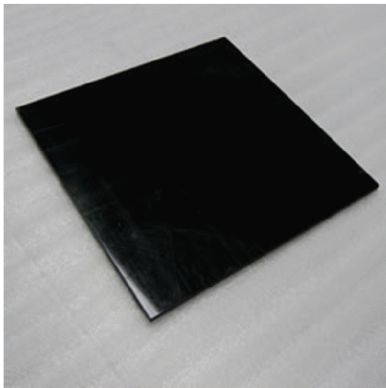
- Screw to frame to make a removable panel using [Screw Block 32](#)

- Bolt directly to t-slots ([see picture](#))



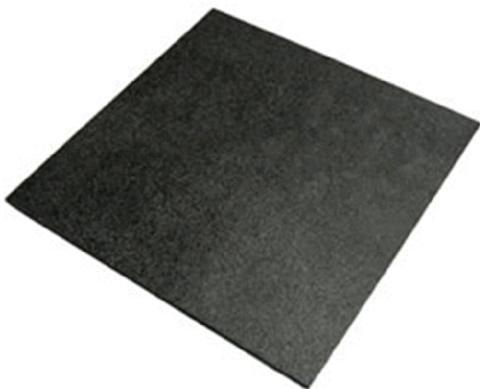
Black 1/4" ABS Plastic Hair cell Finish

Part. N° 21.9551



APPLICATIONS

- Attractive hair cell finish is hard to scratch
- Tough, durable & resistant to cracking
- Economical table top & shelving material
- Back side doesn't have haircell finish & is not as attractive. It is also glossy & should be avoided where reflections are a concern.





TECHN. DATA / ITEMS SUPPLIED

- Black 6mm (.236") ABS Plastic

- Hair cell finish on one side

- Shiny finish on back side (Middle photo)

- Weight - 1.3 lbs/sq ft



ASSEMBLY

- Frame on all 4 sides in t-slots and fix in place with Insert Seal 6

- Mount to t-slots with screws & nuts (see picture)

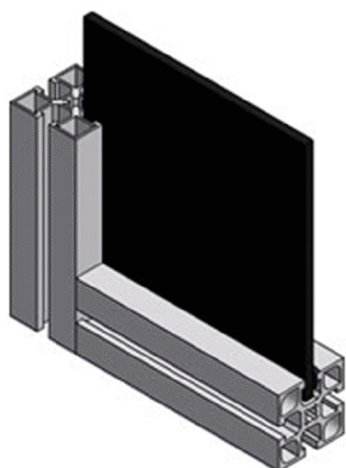
- Fasten to frame using Screw Block 32 or Screw Block 45

- Bolt directly to t-slots (see picture)



Sintra™ Black 6mm(1/4")

Part. N° 21.9552

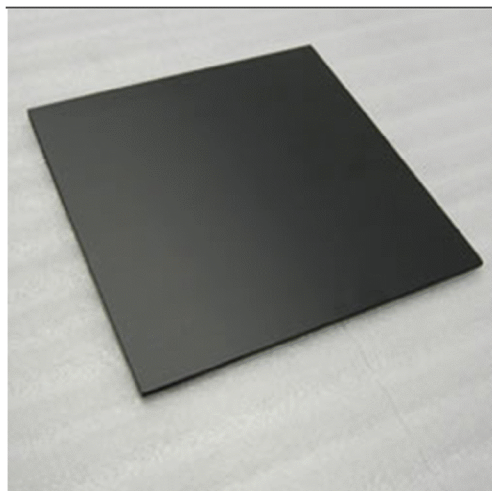


APPLICATIONS

- Attractive matte black finish on both sides makes this panel ideal for enclosure walls, in plant offices and trade show displays

- Panel is lightweight making it perfect for counter weighted doors & trade show displays

- Matte black finish reduces reflections inside enclosure





TECHN. DATA / ITEMS SUPPLIED

- Sintra™ is closed cell expanded PVC

- Color Black

- Thickness 6mm (.236")

- Weight - kg



ASSEMBLY

- Frame in t-slots on all four sides & take up gap using [Insert Seal 6](#)

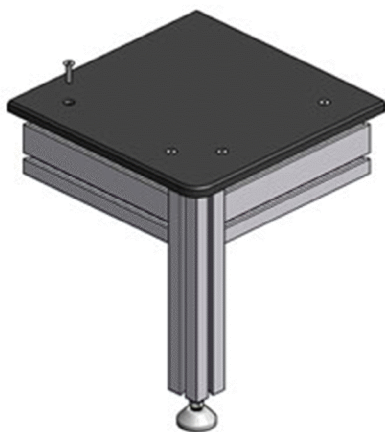
- Screw to frame to make a removable panel using [Screw Block 32](#)

- Bolt directly to t-slots ([see picture](#))



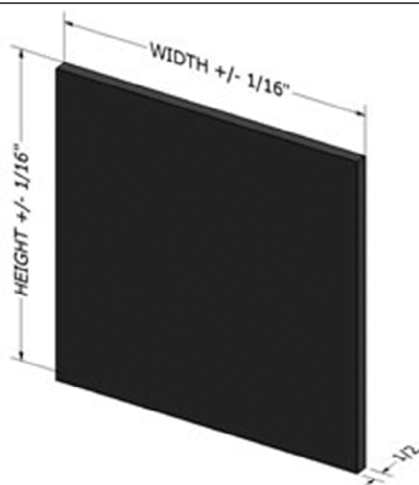
1/2" BLACK UHMW

Part. N° 21.9553



APPLICATIONS

- Work station & table tops
- Work surface for shelves
- Extremely low friction & resistant to wear
- Durable & resistant to cutting & scratching





TECHN. DATA / ITEMS SUPPLIED

- 1/2" Black UHMW (Ultra high molecular weight polyethylene)

- Specify Width & Height

- Cut to size & machining services available

- Available in ESD, Part # 21.9553/1

- Weight - kg



ASSEMBLY

- Bolt to t-slots using M6x25 Counter Sunk Screws & M6 Square Nuts With Position Fixing

- Fasten to frame from below using the Angle 45 GD (See picture)



1/2" White High Density Polyethylene

Part. N° 21.9557

APPLICATIONS

- Work station & table tops
- Work surface for shelves
- Low friction & resistant to wear

TECHN. DATA / ITEMS SUPPLIED

- 1/2" high density polyethylene plastic
- Specify Width & Height
- Cut to size & machining services available
- Weight - kg





ASSEMBLY

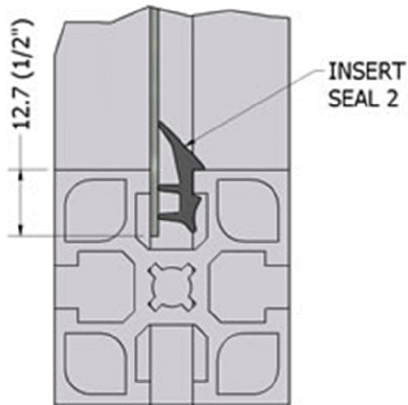
- Bolt to t-slots using M6x25 Counter Sunk Screws & M6 Square Nuts With Position Fixing

- Fasten to frame from below using the Angle 45 GD (See picture)



1/16" Aluminum Mill Finish

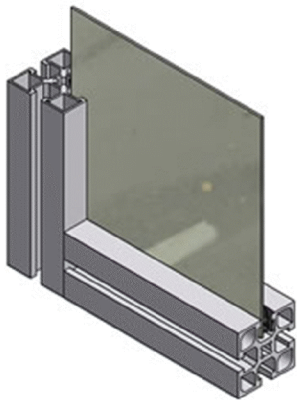
Part. N° 21.9521



APPLICATIONS

- Enclosure & machine guard walls

- Shelves



TECHN. DATA / ITEMS SUPPLIED

- 3003 Aluminum 1/16" thick



- Mill Finish

- Order cut to size +/- 1/16"

- Weight - kg



ASSEMBLY

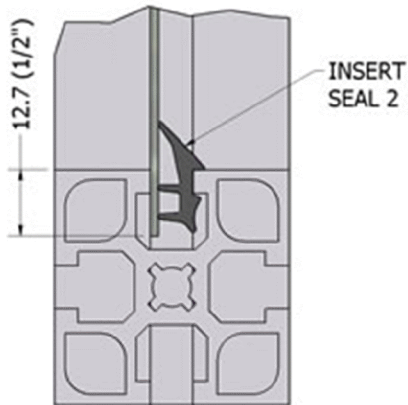
- Fasten in t-slots with [Insert Seal 2](#)

- Bolt to t-slots using [M4x16 C'Sunk screws](#) & [M4 Square Nuts With Position Fixing](#)



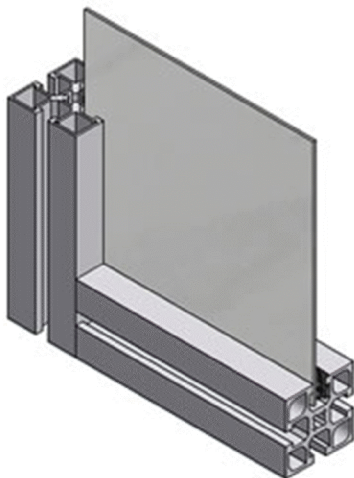
1/16" Aluminum Anodized

Part. N° 21.9521/1



APPLICATIONS

- Attractive enclosure & machine guard walls
- Shelves
- Clean room walls, partitions & enclosures
- Bed for conveyor belt





TECHN. DATA / ITEMS SUPPLIED

- 3003 Aluminum 1/16" thick
- Clear anodized on both sides
- Order cut to size +/- 1/16"
- Weight - kg



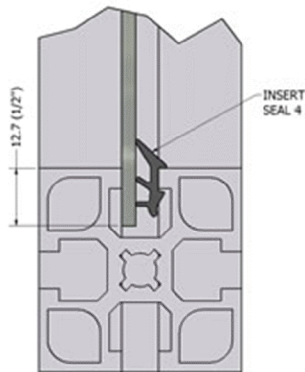
ASSEMBLY

- Fasten in t-slots with Insert Seal 2
- Bolt to t-slots using M4x16 C'Sunk screws & M4 Square Nuts With Position Fixing



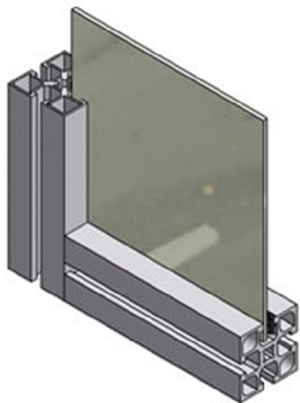
1/8" Aluminum Mill Finish

Part. N° 21.9523



APPLICATIONS

- Enclosure & machine guard walls
- Table tops & shelves



TECHN. DATA / ITEMS SUPPLIED

- 3003 Aluminum 1/8" thick
- Mill Finish



- Order cut to size +/- 1/16"

- Weight

- kg



ASSEMBLY

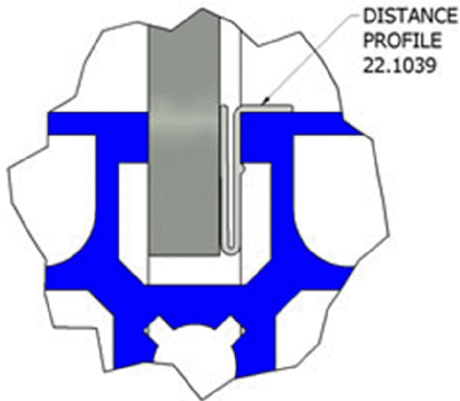
- Fasten in t-slots with Insert Seal 4

- Bolt to t-slots using M4x16 C'Sunk screws & M4 Square Nuts With Position Fixing



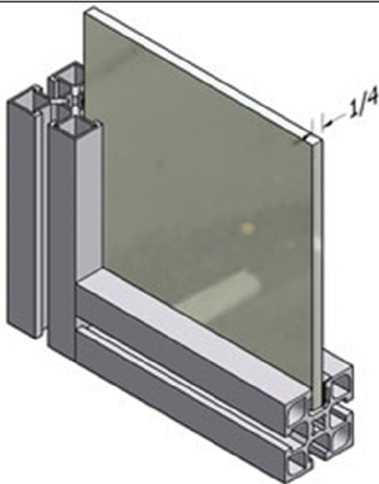
1/4" Aluminum Mill Finish

Part. N° 21.9525



APPLICATIONS

- Table tops & heavy duty shelves
- Enclosure panels. Especially useful when panel needs to be drilled & tapped for equipment mounting



TECHN. DATA / ITEMS SUPPLIED



- 3003 Aluminum 1/4" thick

- Mill Finish

- Order cut to size +/- 1/16"

- Weight - kg



ASSEMBLY

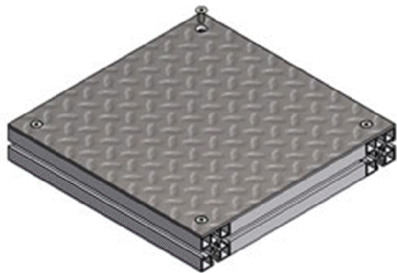
- Fasten in t-slots with Distance Profile 22.1039

- Bolt to t-slots using M6x20 C'Sunk screws & M6 Square Nuts With Position Fixing



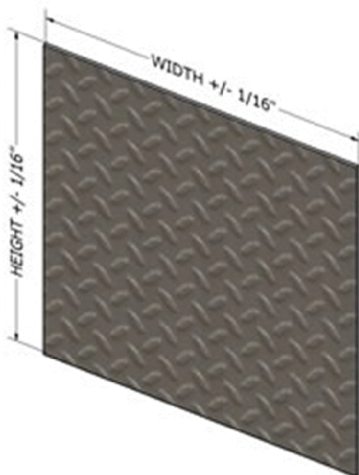
Aluminum Diamond Plate 1/8" thick

Part. N° 21.9535



APPLICATIONS

- Stairs & platforms around machinery
- Machine beds & platforms that can be lifted with a fork truck or crane
- Walk on ceilings & roofs



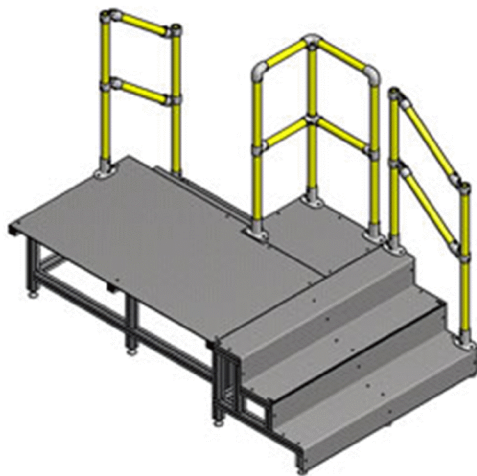


TECHN. DATA / ITEMS SUPPLIED

- 3003 H22/24 Aluminum 1/8" thick

- Bright finish

- Weight - 1.92 lb/ft²



ASSEMBLY

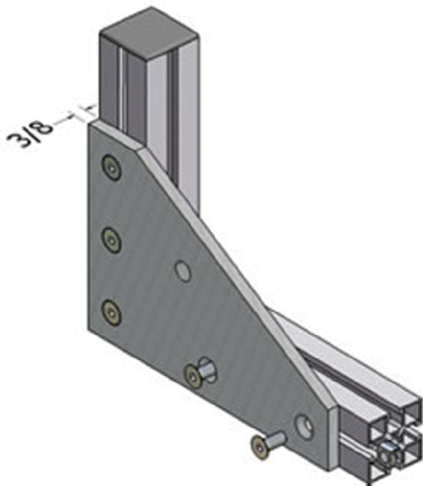
- Bolt to profile t-slots

- Fix in profile channels using insert seal 4



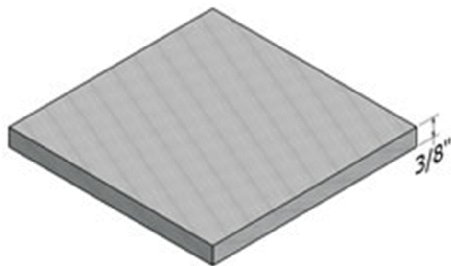
3/8" Aluminum Mill Finish

Part. N° 21.9527



APPLICATIONS

- Table tops & heavy duty shelves
- Custom brackets & mounting plates





TECHN. DATA / ITEMS SUPPLIED

- 5052 Aluminum 3/8" thick

- Mill Finish

- Order cut to size +/- 1/16"

- CNC machining available
(e-mail prints to sales@minitecframing.com)

- Weight - kg



ASSEMBLY

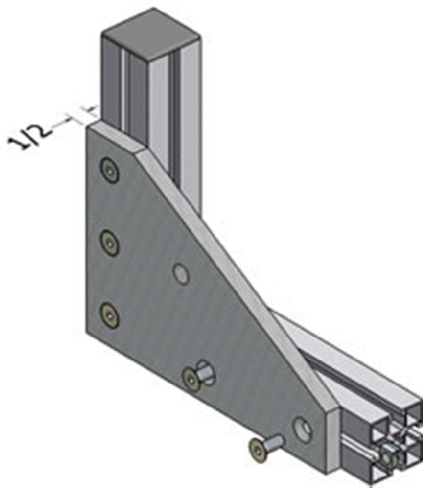
- Bolt to t-slots

- Fasten to profile ends using M8 hardware.
(Note profile end needs to be tapped M8)



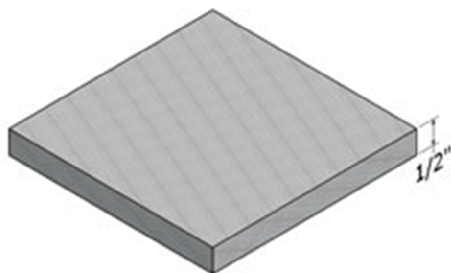
1/2" Aluminum Mill Finish

Part. N° 21.9528



APPLICATIONS

- Table tops & heavy duty shelves
- Custom brackets & mounting plates





TECHN. DATA / ITEMS SUPPLIED

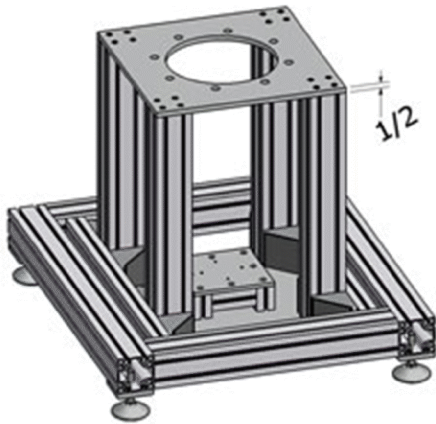
- 5052 Aluminum 1/2" thick

- Mill Finish

- Order cut to size +/- 1/16"

- CNC machining available
(e-mail prints to sales@minitecframing.com)

- Weight - kg



ASSEMBLY

- Bolt to t-slots

- Fasten to profile ends using M8 hardware.
(Note profile end needs to be tapped M8)
