
MICRO RAIN 40,43

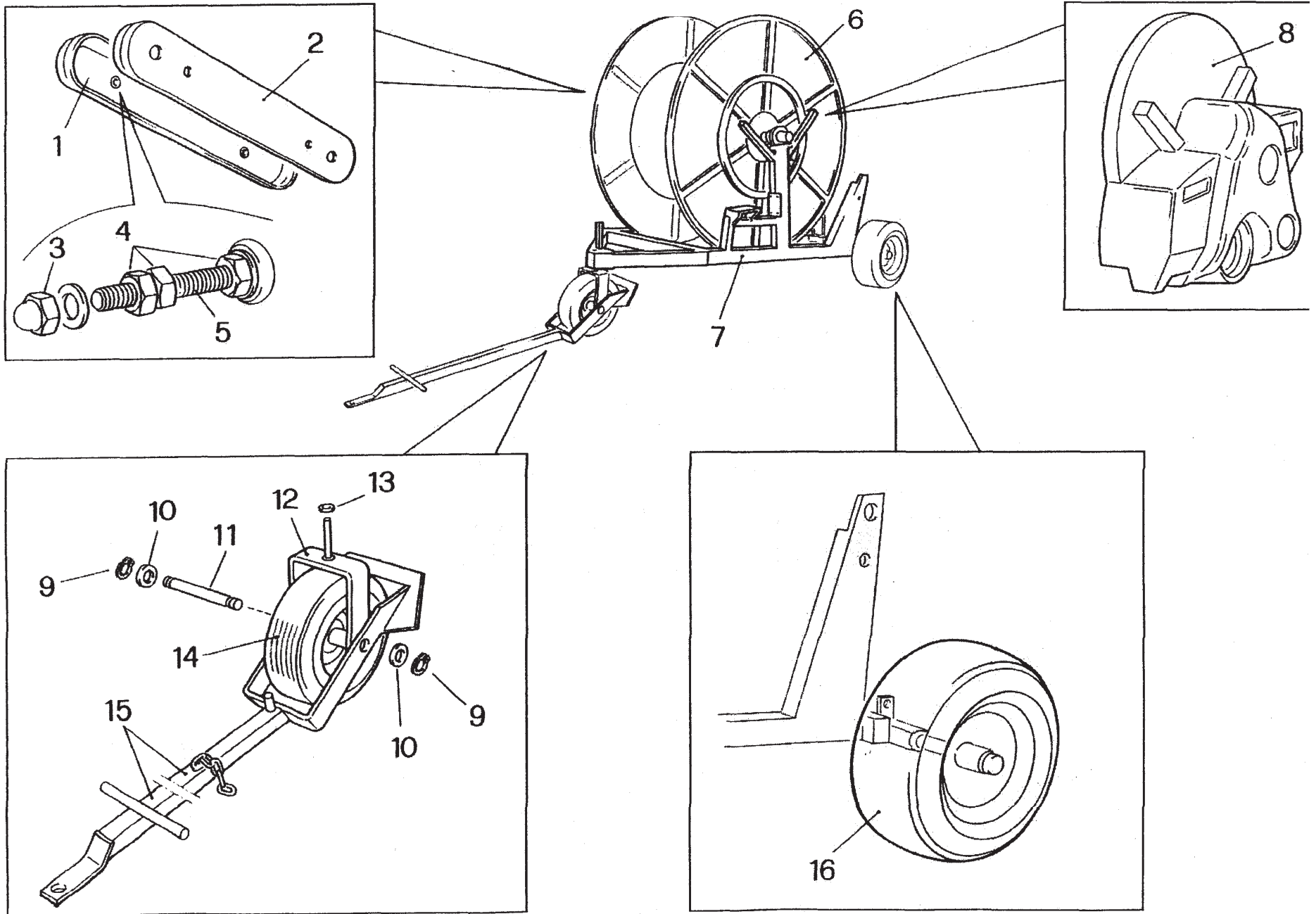


The diagram is an exploded view of a mechanical assembly, likely a pump or sprayer. It features a central motor unit (part 1) with a gear train (parts 2, 3, 4, 5, 6, 7, 8, 9, 10, 11, 12, 13, 14, 15, 16, 17, 18, 19, 20, 21, 22, 23, 24, 25, 26, 27, 28, 29, 30, 31, 32, 33, 34, 35, 36, 37, 38, 39, 40). A large gear (part 3) is connected to a smaller gear (part 4), which in turn drives a larger gear (part 5). The gears are mounted on shafts (parts 6, 7, 8, 9, 10, 11, 12, 13, 14, 15, 16, 17, 18, 19, 20, 21, 22, 23, 24, 25, 26, 27, 28, 29, 30, 31, 32, 33, 34, 35, 36, 37, 38, 39, 40). The assembly includes various housing components (parts 1, 2, 3, 4, 5, 6, 7, 8, 9, 10, 11, 12, 13, 14, 15, 16, 17, 18, 19, 20, 21, 22, 23, 24, 25, 26, 27, 28, 29, 30, 31, 32, 33, 34, 35, 36, 37, 38, 39, 40) and a handle (part 40) with a trigger gun (part 41). A black arrow points to a specific component on the handle assembly.

SPARE PARTS MANUAL

JANUARY 1, 2005

Micro Rain 40,43
Shielding, Wheel Assys, Front Hitch Assy.
January 1, 2005



**Micro Rain 40,43
Shielding, Wheel Assys, Front Hitch Assy.
January 1, 2005**

Ref.	Part #	Description	Qty.
1	MR-88042112/8	Outer Chain Cover	1
2	MR-88042113/8	Inner Chain Cover	1
3	MR-11126	Cap Nut	2
4	MR-11110	Nut	2
5	MR-10290	Bolt	2
6	MR-20042100	Complete Drum	1
7	MR-15042250	Chassis	1
8	MR-70042130/8	Red Turbin Cover	1
9	MR-11603	Snap Ring	2
10	MR-11226	Washer	2
11	MR-15052110Z	Pin, Front Wheel Assy.	1
12	MR-15042150	Front Fork Support	1
13	MR-11215	Washer	1
14	MR-00405	Front Wheel Assy.	1
15	MR-15052100	Front Tongue Assy.	1
16	MR-00367	Rear Wheel Assy.	2

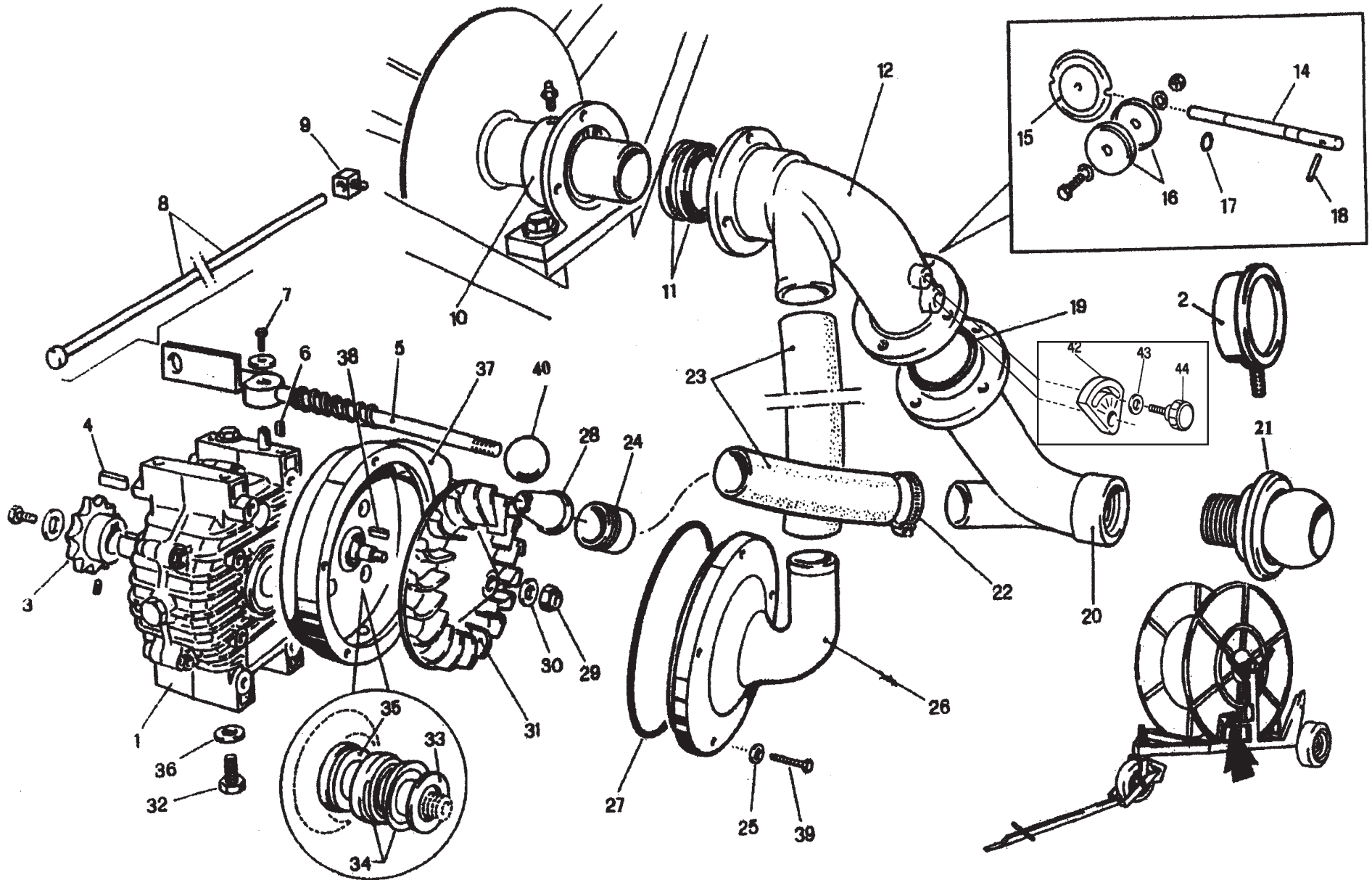
*Not Shown

MR-60300

Safety Decal Kit

1

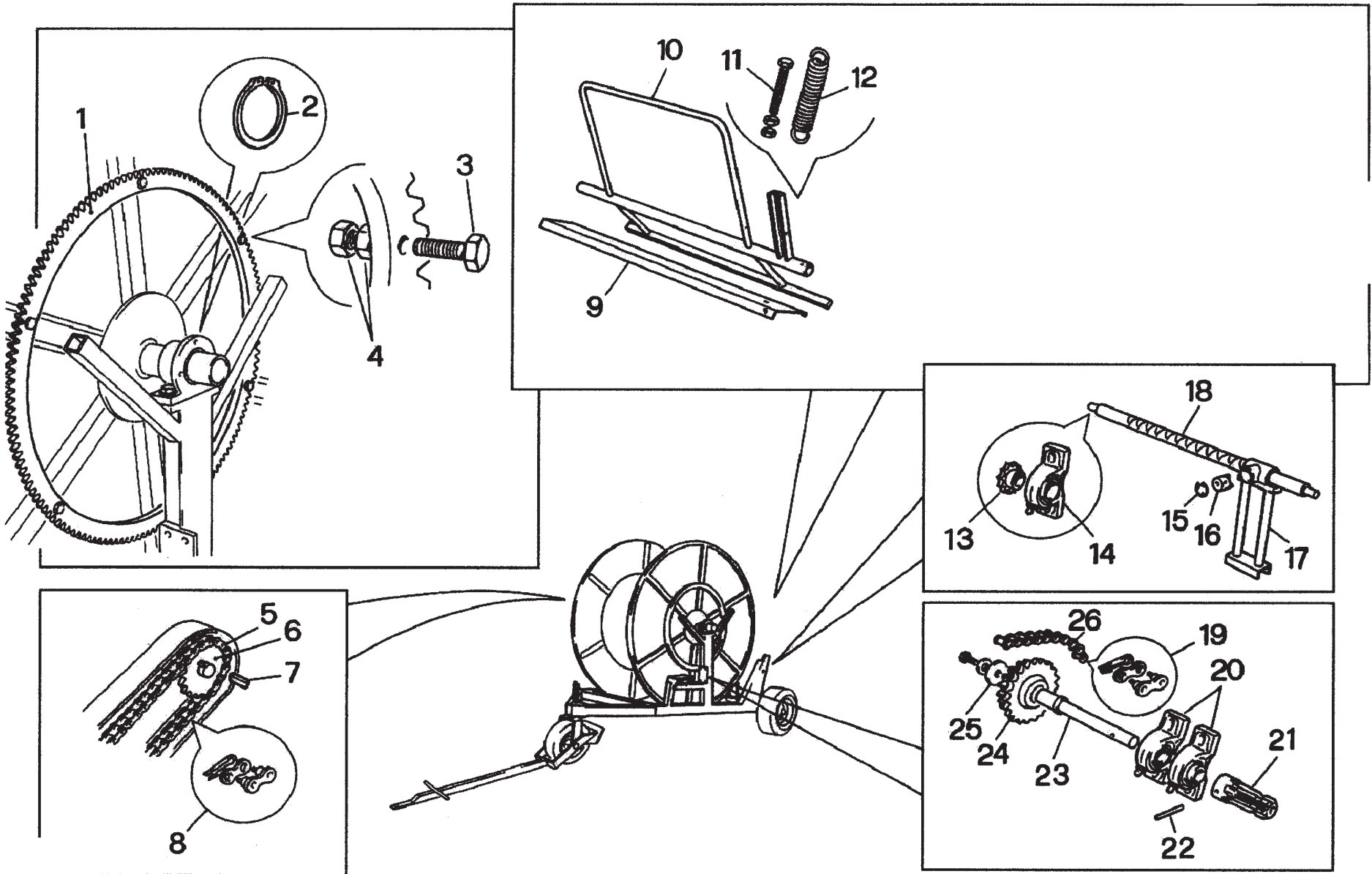
Micro Rain 40,43
Turbine & Inlet Plumbing
January 1, 2005



**Micro Rain 40,43
Turbine & Inlet Plumbing
January 1, 2005**

Ref.	Part #	Description	Qty.
1	MR-02107/2	Gearbox	1
2	MR-0035K	Pressure Gauge	1
3	MR-41580	Sprocket-11 Tooth	1
4	MR-11501	Key	1
5	MR-15400070Z	Gearbox Shift Lever	1
6	MR-11508	Key	1
7	MR-10146	Screw	1
8	MR-0025K	Disengage Rod	1
9	MR-99050130Z	Adjustable stop, Shut off Rod	1
10	MR-19050101	Cast Iron Drum Mount	1
11	MR-31023	Drum Inlet Seal	2
12	MR-50042100	Drum Inlet Elbow	1
14	MR-99008257	Turbine Diverter Shaft	1
15	MR-99008321	Turbine Diverter Disk	1
16	MR-05340	Diverter Disk Cover	2
17	MR-30056	O-Ring	2
18	MR-15906	Roll Pin	1
19	MR-30088	O-Ring	1
20	MR-50042110	Lower Inlet elbow	1
21	MR-51042100Z	Male Bauer Inlet Fitting	1
22	MR-14336	Hose Clamp	4
23	MR-30815	Turbine Inlet Hose	2
24	MR-51042200Z	Turbine Inlet Nipple w/Barb	1
25	MR-11208	Washer	1
26	MR-99008242	Turbine Cover	1
27	MR-30069	O-Ring	1
28	MR-93312	Turbine Nozzle #12	1
29	MR-11110	Nut	1
30	MR-11210	Turbine Shaft Washer	1
31	MR-99008233	Turbine Impeller	1
32	MR-10127	Bolt	4
33	MR-11217	Shim	1
34	MR-01007	Seal Rotary	1
35	MR-01107	Seal Seat	1
36	MR-11211	Washer	4
37	MR-99008241	Turbine Housing	1
38	MR-11508	Key	1
39	MR-10194	Bolt	5
40	MR-12601	Round Knob	1
42	MR-35030	Plastic Diverter Opener	1
43	MR-11247	Washer	1
44	MR-00867	Turbine Diverter Knob	1

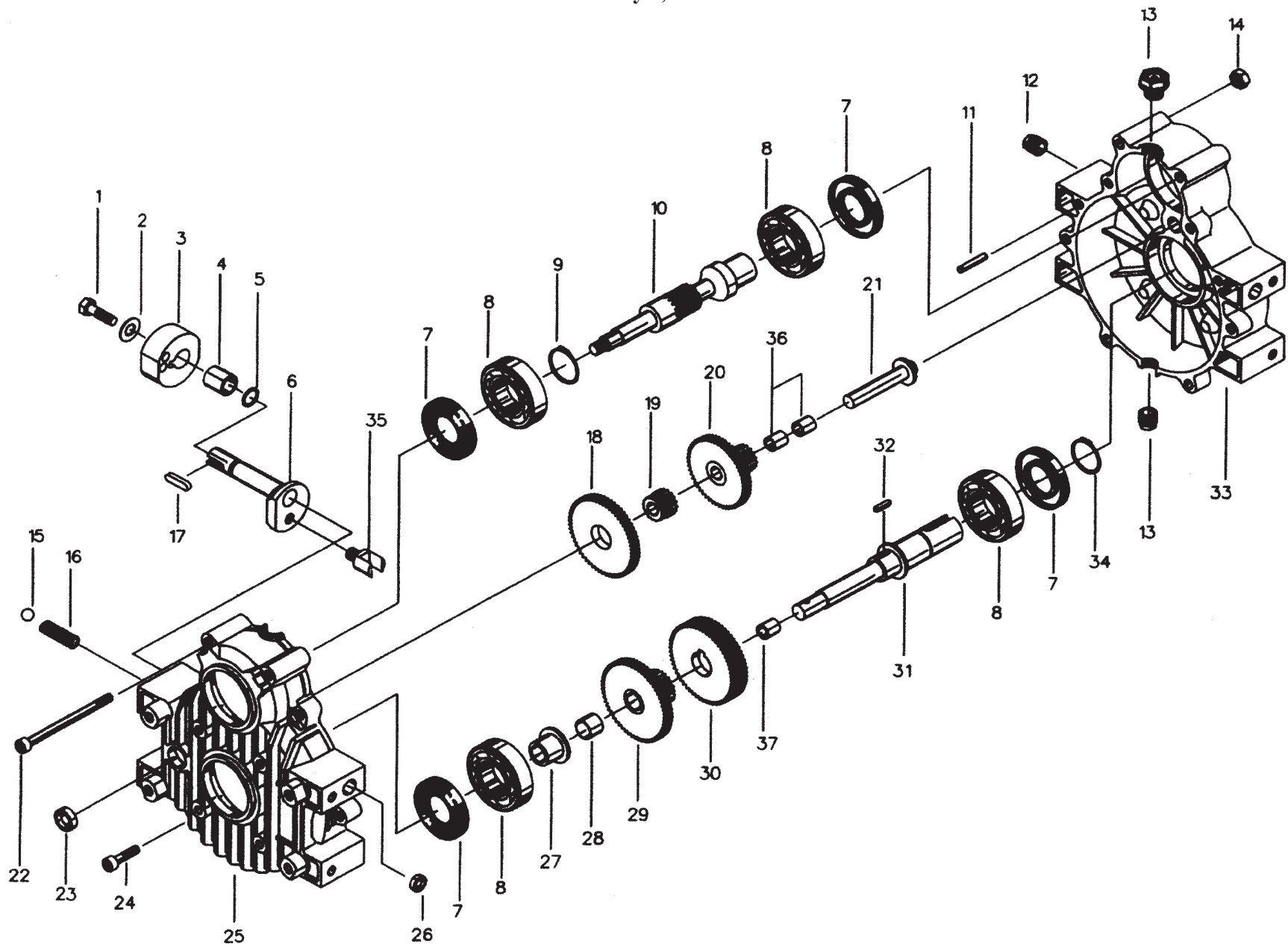
Micro Rain 40,43
Drum Gear, Levelwind, & Shut Off Bar Assys.
January 1, 2005



Micro Rain 40,43
Drum Gear, Levelwind, & Shut Off Bar Assys.
January 1, 2005

Ref.	Part #	Description	Qty.
1	MR-20042110	Large Drum Gear	1
2	MR-11618	Snap Ring	1
3	MR-10136	Bolt	6
4	MR-11110	Nut	18
5	MR-40404	Chain	1.4mt.
6	MR-41436	Sprocket-17 Tooth, MR 40	1
	MR-41434	Sprocket-15 Tooth, MR 43	1
7	MR-11503	Key	1
8	MR-40704	Master Link	1
9	MR-31052101/1Z	Back Protection Plate	1
10	MR-26052100	Rear Shut Off Bar	1
11	MR-10123	Bolt	1
12	MR-13701Z	Spring	1
13	MR-41435	Sprocket-16 Tooth,MR 40	1
	MR-41456	Sprocket-13 Tooth,MR 43	1
14	MR-41804	Pillow Block Bearing	1
15	MR-11740	Snap Ring	1
16	MR-99100020	Scroll Bar Knife	1
17	MR-45042100	Levelwind Bracket	1
18	MR-99040239	Levelwind Bar	1
19	MR-40701	Master Link	1
20	MR-41804	Pillow Block Bearing	2
21	MR-GI1042Z	Splined PTO Shaft-540	1
22	MR-15907	Roll Pin	1
23	MR-15042003	Drive Gear Shaft	1
24	MR-15042074Z - 22 tooth	Drive Gear	1
25	MR-11231	Washer	1
26	MR-40402	Chain	.4 mt.

Micro Rain 40,43
Gearbox Assy.
January 1, 2005



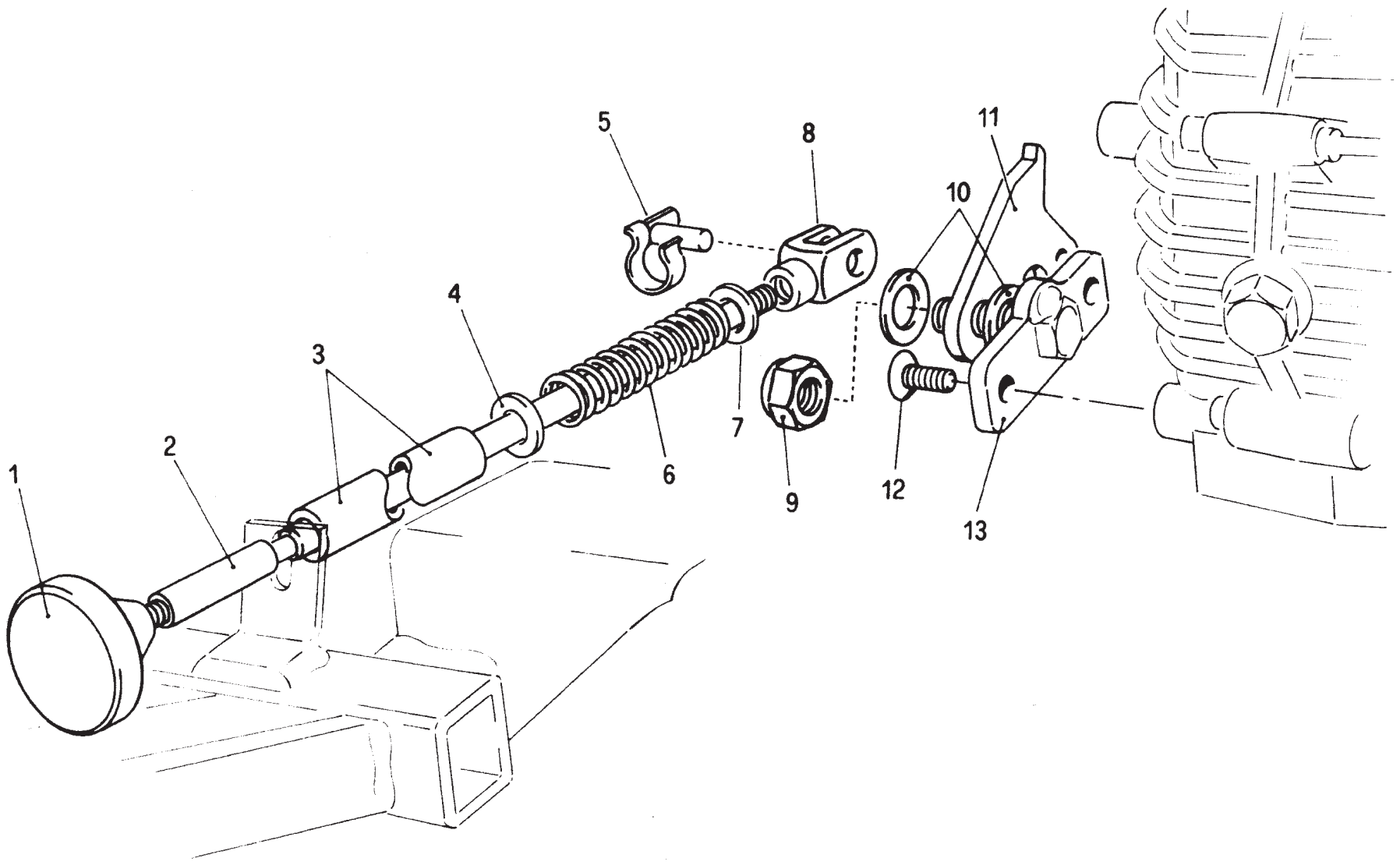
Micro Rain 40,43

Gearbox Assy.

January 1, 2005

Ref.	Part#	Description	Qty.
1	MR-10108	Bolt	1
2	MR-11238	Washer	1
3	MR-15041064Z	Shifting Block	1
5	MR-GI560	O-Ring	1
6	MR-CAR3P10	Shifting Pin	1
7	MR-CAR3P12	Oil Seal	4
8	MR-40003	Bearing	4
10	MR-CAR3P02	Input Shaft	1
12	MR-13104	Plug	1
13	MR-13111	Top Plug	2
14	MR-11108	Nut	8
15	MR-GI1068	Ball 5/16"	1
16	MR-GI1086	Spring	1
17	MR-11508	Key	1
18	MR-CAR3P03	Engaging Gear	1
19	MR-CAR3P04	Small Gear	1
20	MR-CAR3P08	Gear	1
21	MR-CAR3P07	Shaft	1
22	MR-10433	Housing Bolt	2
24	MR-10434	Bolt	6
25	MR-CAR3P13	Input Side Housing	1
27	MR-CAR3P14	Bushing	1
28	MR-CAR3P15	Spacer	1
29	MR-CAR3P05	Gear	1
30	MR-CAR3P09	Gear	1
31	MR-CAR3P01	Output Shaft	1
32	MR-11519	Key	1
33	MR-CAR3P11	Output Side Housing	1
34	MR-11603	Snap Ring	1
35	MR-CAR3P10-B	Rotating Fork	1
36	MR-CAR3P17	Bushing	2
37	MR-CAR3P18	Bushing	1

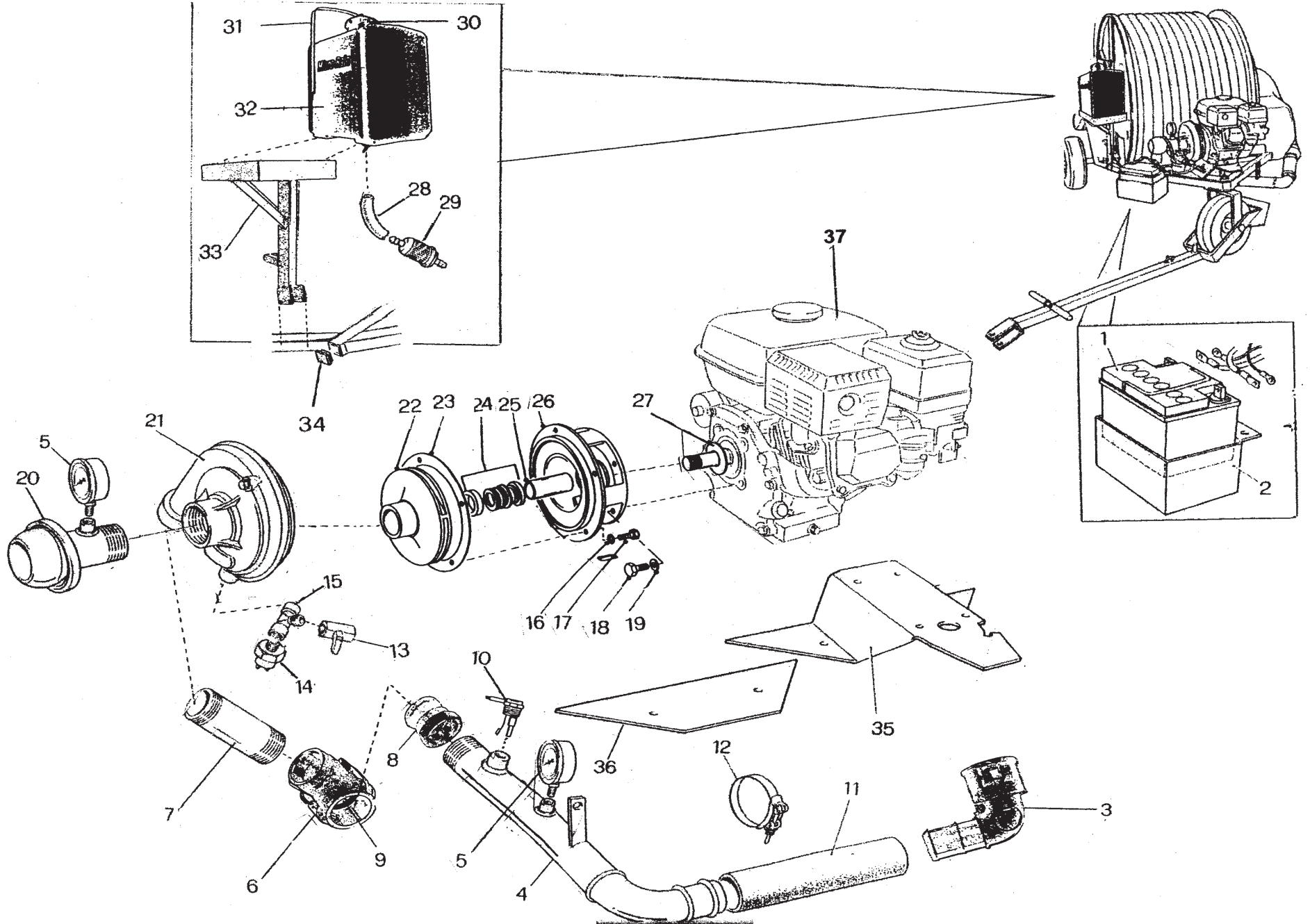
Micro Rain 40,43
Anti-Reverse Assembly
January 1, 2005



**Micro Rain 40,43
Anti-Reverse Assembly
January 1, 2005**

Ref.	Part #	Description	Qty
1	MR-00869	Knob	1
2	MR-15043206Z	Anti-Reverse Rod	1
3	MR-15043204	Spacer	1
4	MR-11210	Washer	1
5	MR-13007	Clip	1
6	MR-15043203Z	Spring	1
7	MR-11210	Washer	1
8	MR-13506	Yoke	1
9	MR-14213	Nut	1
10	MR-11214	Washer	4
11	MR-15043201Z	Anti-Reverse Pawl	1
12	MR-10442	Screw	2
13	MR-15042230Z	Anti-Reverse Bracket	1

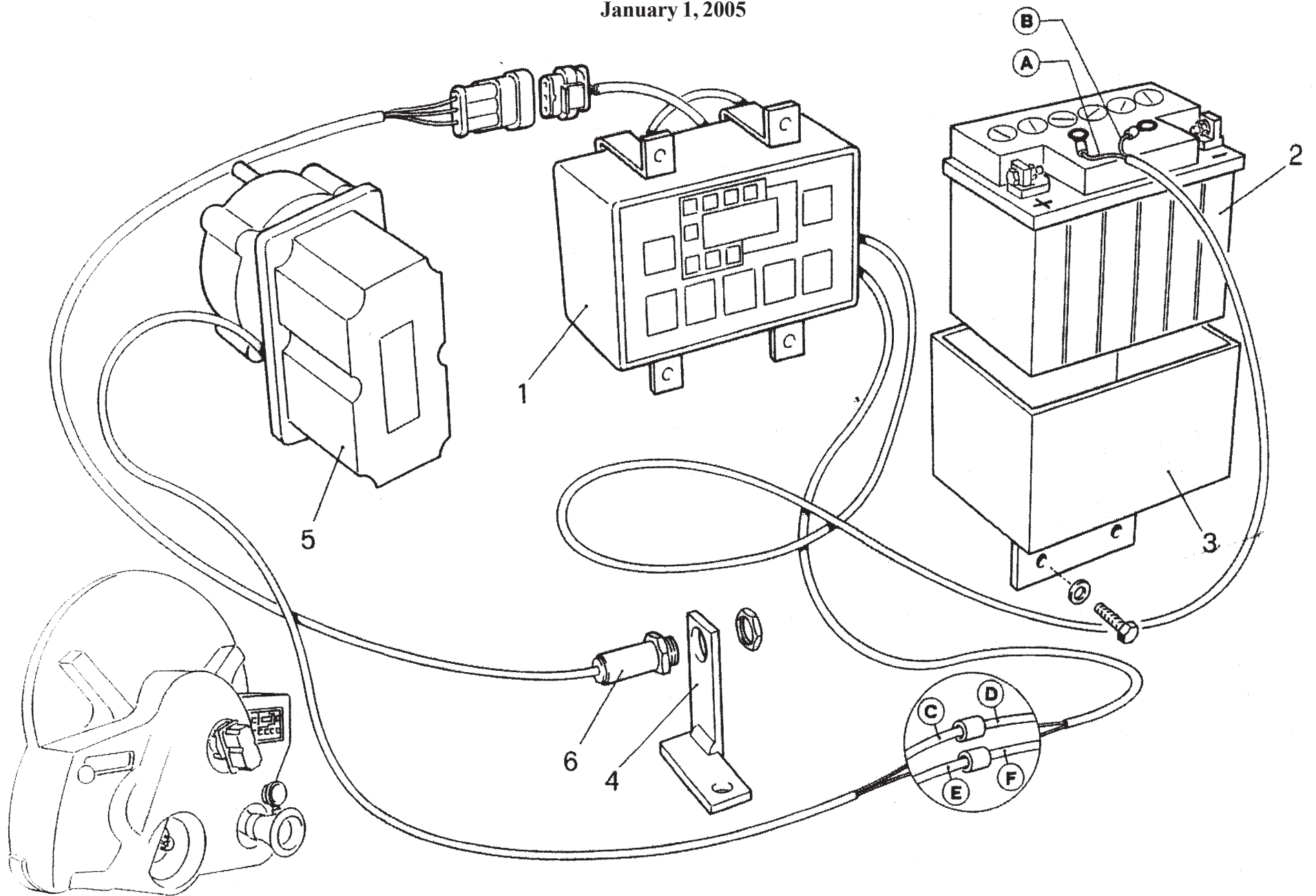
Micro Rain 40,43
Boost Pump Assy.
January 1, 2005



Micro Rain 40,43
 Boost Pump Assy.
 January 1, 2005

Ref.	Part #	Description	Qty.	
1	MR-0041K	Battery	1	
2	MR-0042K	Battery Box	1	
3	MR-0001K	2" x 90 Cam-Lock	1	
4	MR-0043K	2" Cross-over Pipe	1	
5	MR-0035K	Pressure Gauge	1	
6	MR-0022K	2" x 90 Cam-Lock w/2" NPT	1	
7	MR-2X7GN	2" x 7" Galv. Nipple	1	
8	MR-AL-A200	2" Male Cam-Lock	1	
9	MR-BUNA200	2" Buna Gasket	2	
10	MR-0006K	Flow Switch	1	
11	MR-BLK200	2" Pressure Hose	1	
12	MR-MIK55-59	2" Clamp	4	
13	MR-0008K	Drain Valve	1	
14	MR-0009K	Thermal Relief Valve	1	
15	MR-0010K	1/4" Brass Tee	1	
16	MR-176230	3/8" Spring Washer	4	
17	MR-125797	3/8" x 1- Bolt	4	
18	MR-225963	5/16" x 3/4"-Bolt	4	
19	MR-176220	5/16" Spring Washer	4	
20	MR-99022401Z	Male inlet Fitting	1	
21	MR-437837	Pump Housing-KID Rotation	1	
22	MR-433172	Impeller-Pull Start	1	
	MR-437838	Impeller-Electric Start	1	
23	MR-198996	Housing Gasket	1	
24	MR-240344	Mechanical Seal -Pull Start	1	
	MR-240070	Mechanical Seal- Electric Start	1	
25	MR-438380	Shaft Sleeve-Pull Start	1	
	MR-400106	Shaft Sleeve-Electric Start	1	
	*Not Shown	MR-414790	Impeller Washer	1
	*Not Shown	MR-432198	Impeller Key	1
26	MR-437794	Adapter Housing	1	
27	MR-191141	Flinger	1	
28	MR-0036K	Fuel Line	1	
29	MR-0037K	Fuel Filter	1	
30	MR-0011K	Fuel Tank Cap	1	
31	MR-0012K	Fuel Tank Straps	2	
32	MR-0013K	Fuel Tank-7 Gallon	1	
33	MR-0014K	Fuel Tank Stand	1	
34	MR-30516	Nylon End Plug	1	
35	MR-0045K	Engine Bracket-5.5HP	1	
36	MR-0046K	Bottom Strap-5.5HP	1	
37	MR-0026K	Engine-Honda 5.5HP-Pull Start	1	
	MR-0027K	Engine-Honda 5.5HP-Electric Start		

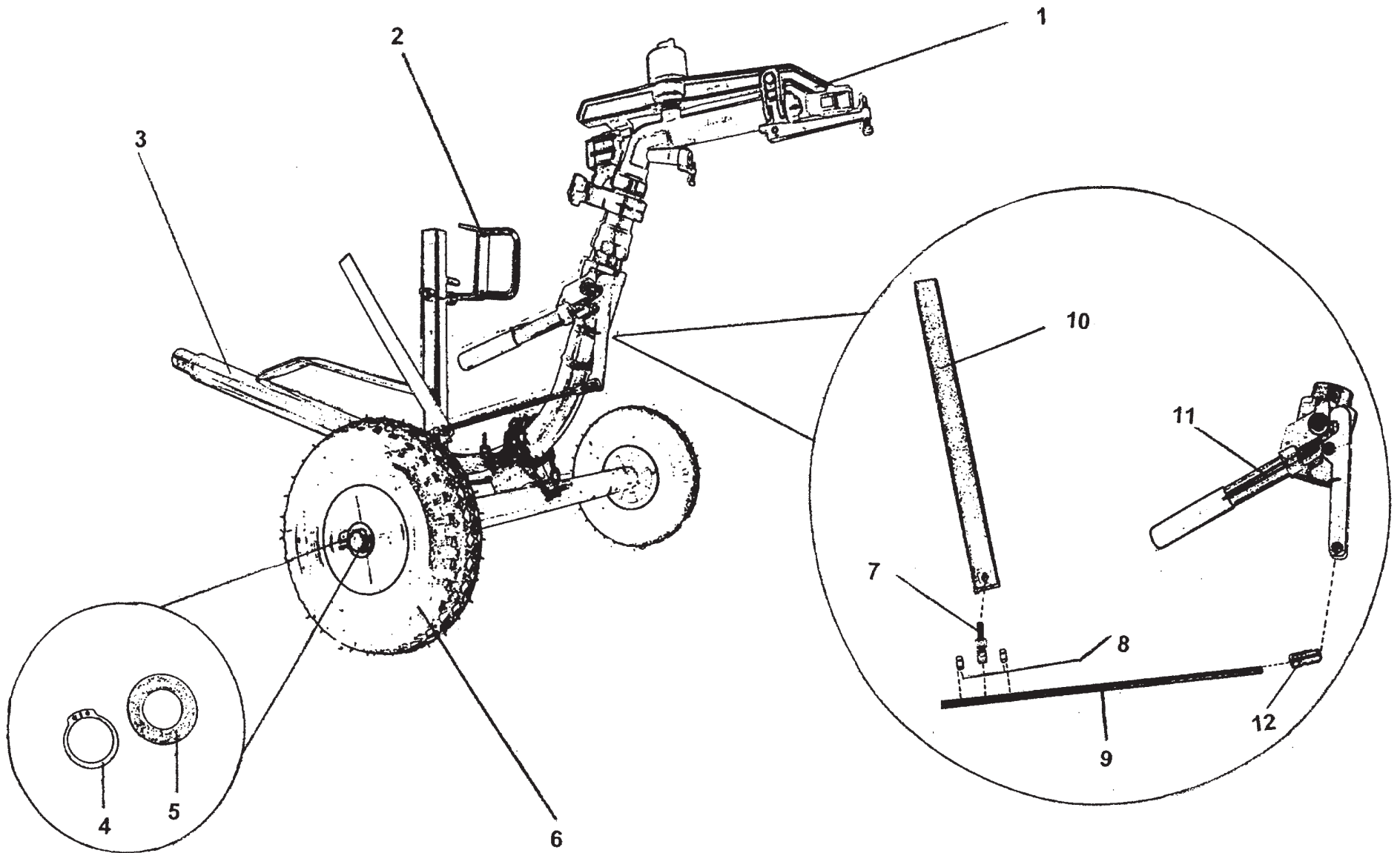
Micro Rain 40,43
Computer Assy.
January 1, 2005



Micro Rain 40,43
Computer Assy.
January 1, 2005

Ref.	Part #	Description	Qty.
1	MR-05550	Computer-Golden Rain	1
2	MR-32718	Battery	1
3	MR-35000280	Battery Box	1
4	MR-35420710Z	Computer Sensor Support	1
5	MR-05306	Computer Motor Assy.	1
6	MR-05601	Sensor-Golden Rain Computer	1
A	Brown		
B	Blue		
C	Blue		
D	Brown		
E	Brown		
F	Blue		

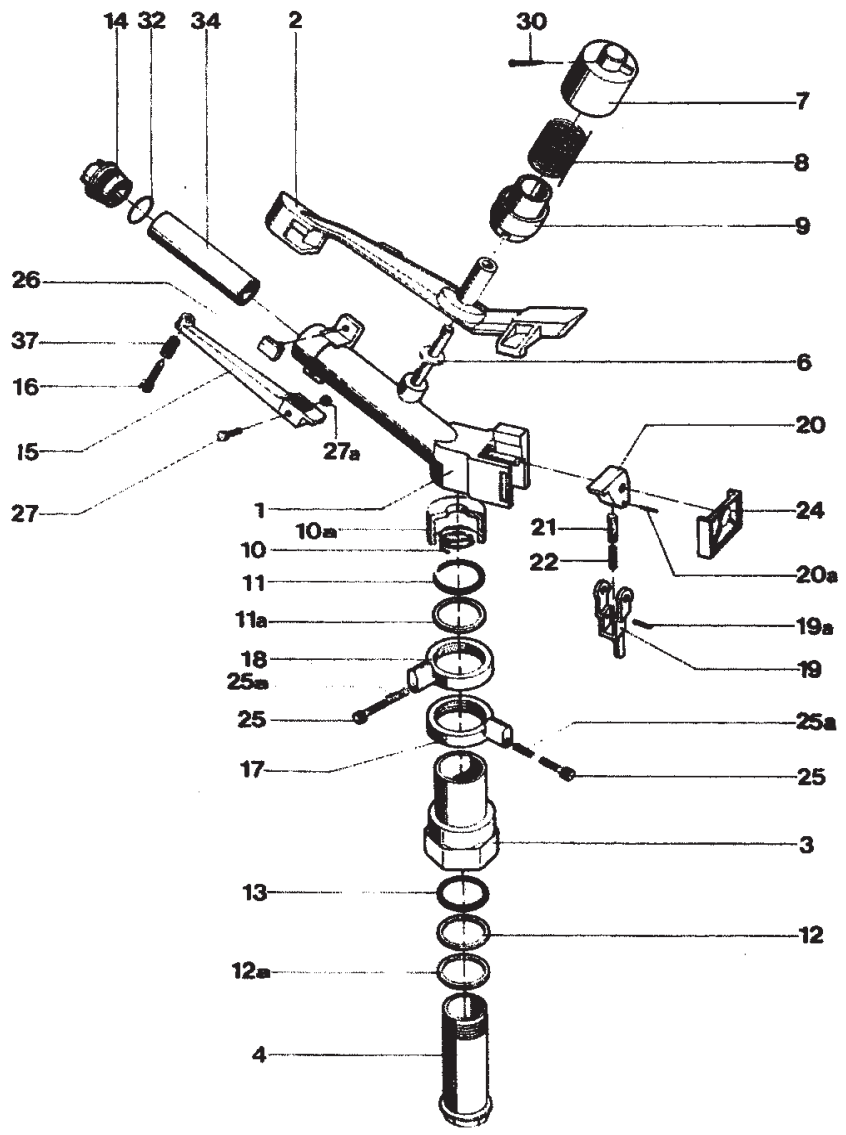
Micro Rain 40,43
Gun Cart, Shut Off Valve Assy.
January 1, 2005



Micro Rain 40,43
Gun Cart, Shut Off Valve Assy.
January 1, 2005

Ref.	Part #	Description	Qty.
1	SIMK1	K1 Sprinkler	1
	SIMHIDRA	Hidra Sprinkler	1
	SIMSENIOR	Senior Sprinkler	1
2	MR-0015K	Cart Lift Handle MR40,43	1
3	MR-60042000	Guncart-Body & Wheels only, MR 40	1
	MR-60046000	Heavy Guncart-Body & Wheels only, MR 40,43	1
4	MR-11613	Snap Ring	2
5	MR-11220	Washer	2
6	MR-00357	Guncart Wheel & Tire Assy.	2
7	MR-0016K	Swivel Joint	1
8	MR-0017K	Nut	2
9	MR-0018K	Linkage Rod	1
10	MR-0019K	Trip Lever-Shut Off Valve	1
11	MR-0020K	Shut Off Valve	1
12	MR-0021K	Disconnect Joint	1

Micro Rain
K1 Sprinkler Assy.
January 1, 2005

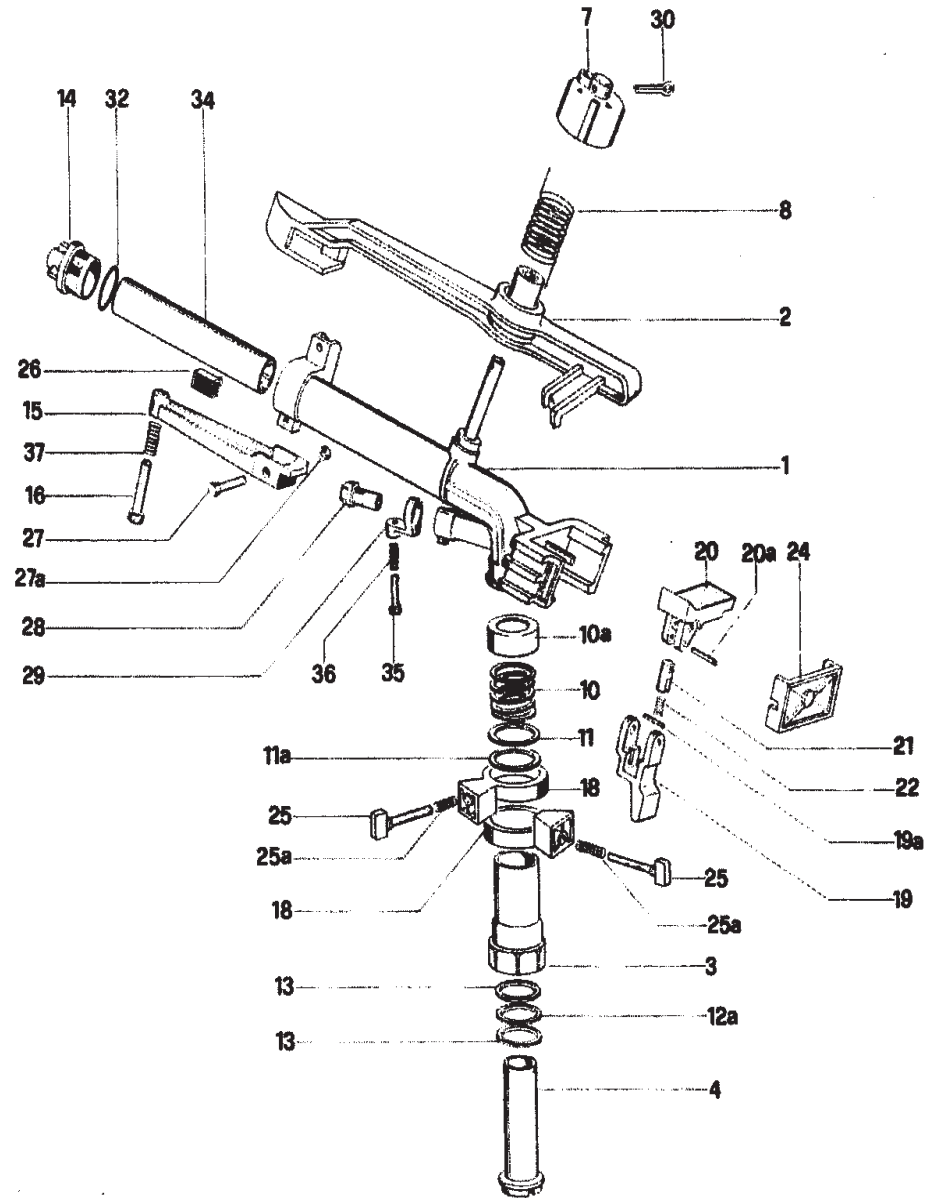


**Micro Rain
K1 Sprinkler Assy.
January 1, 2005**

Ref.	Part #	Description	Qty.
1	S-30341	Sprinkler Body-K1	1
2	S-30342	Drive Arm	1
3	S-30344	Brass Outer Base	1
4	S-30345	Brass Inner Base	1
6	S-30347	Washer	1
7	S-30348	Top Spring Cover	1
8	S-30349	Drive Arm Tension Spring	1
9	S-30350	Nylon Spring Mount	1
10	S-30300	Lower Bearing Assy. Spring	1
10a	S-30351	Lower Spring Housing	1
11	S-30352	Top Seal Ring	1
11a	S-30354	Teflon Washer	1
12	S-30354	Teflon Washer	1
12a	S-30355	Bottom Seal Washer	1
13	S-30356	Rubber Seal Washer	1
14	S-30357	Nozzle	3
15	S-30358	Diffuser Arm	1
16	S-30359	Diffuser Screw	1
17	S-30360	Adjustable Stop	1
18	S-30360	Adjustable Stop	1
19	S-30362	Reverse Arm	1
19a	S-30363	Pin	1
20	S-30364	Reverse Lever	1
20a	S-30322	Roll Pin	1
21	S-30365	Reverse Pin	1
22	S-30366	Spring	1
24	S-30368	Nylon Cap	1
25	S-30498	Adjustable Stop Screw	2
25a	S-30325	Spring	2
26	S-30369	Bumper	1
27	S-30370	Screw	1
27a	S-30321	Nut	1
30	S-30371	Cottar Pin	1
32	S-30372	O-Ring	1
34	S-30373	Barrel Vane	1
37	S-30374	Spring	1

*Seal washers may be ordered as a kit-Part # S-10014K

Micro Rain
Hidra Sprinkler Assy.
January 1, 2005

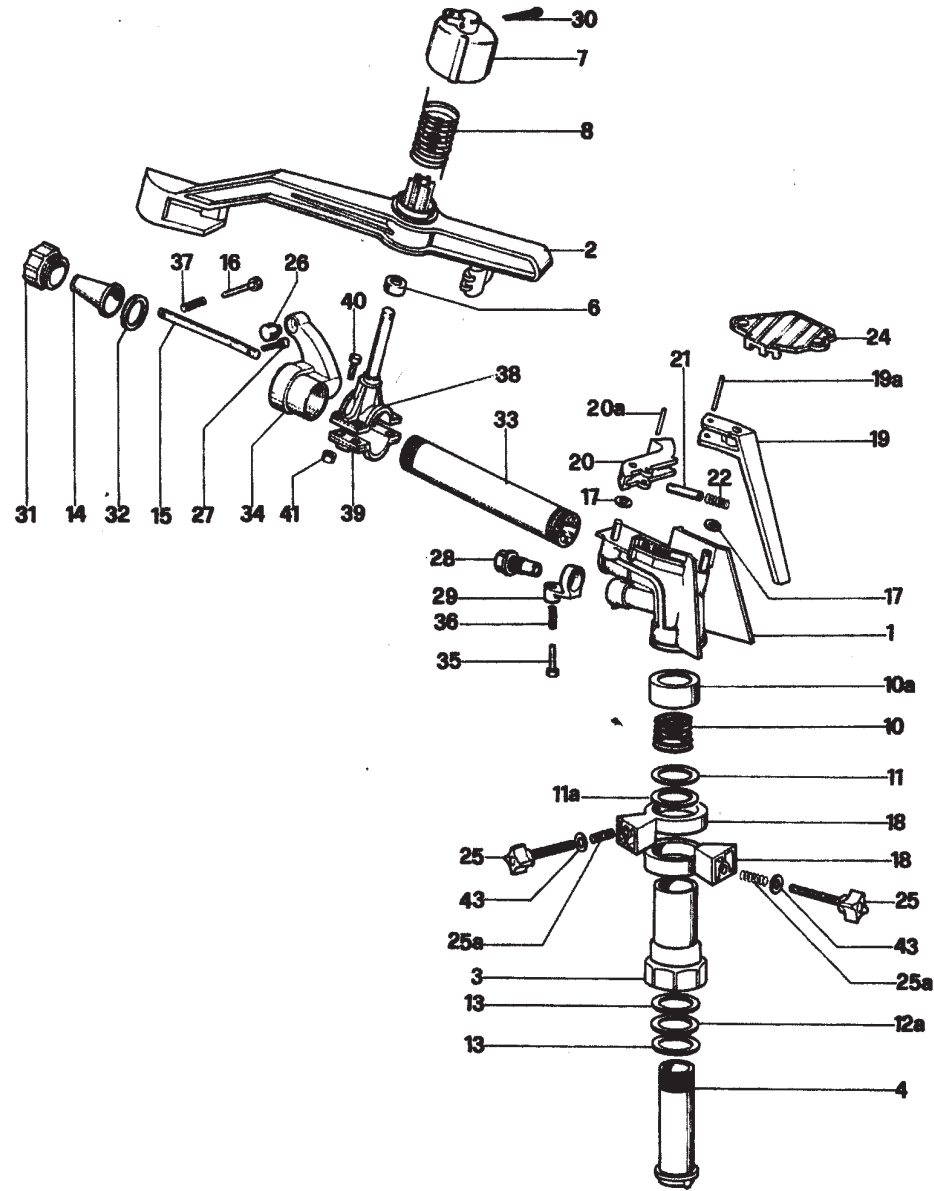


**Micro Rain
Hidra Sprinkler Assy.
January 1, 2005**

Ref.	Part #	Description	Qty.
1	S-301094	Sprinkler Body-Hidra	1
2	S-301095	Drive Arm	1
3	S-301092	Brass Outer Base	1
4	S-301097	Brass Inner Base	1
7	S-30972	Top Spring Cover	1
8	S-30971	Drive Arm Tension Spring	1
10	S-301098	Lower Bearing Assy. Spring	1
10a	S-301099	Spring Housing	1
11	S-301088	Top Seal Ring	1
11a	S-301089	Teflon Washer	1
12a	S-301090	Teflon Washer	1
13	S-301088	Bottom Seal Washer	2
14	S-3010100	Nozzle	3
15	S-30358	Diffuser Arm	1
16	S-30359	Diffuser Screw	1
18	S-3010101	Adjustable Stop	2
19	S-3010102	Reverse Arm	1
19a	S-30363	Pin	1
20	S-3010103	Reverse Lever	1
20a	S-3010107	Pin	1
21	S-30816	Reverse Spring Housing	1
22	S-30817	Reverse Spring	1
24	S-30819	Nylon Cap	1
25	S-30820	Adjustable Stop Screw	2
25a	S-30821	Spring	2
26	S-3010194	Bumper	1
27	S-301013	Screw	1
27a	S-30726	Nut	1
28	S-30280	Diffuser Nozzle	1
29	S-30339	Lower Diffuser Screw Holder	1
30	S-30371	Split Pin	1
34	S-3010106	Barrel Vane	1
35	S-30336	Lower Diffuser Screw	1
36	S-30337	Lower Diffuser Spring	1
37	S-30374	Diffuser Spring	1

***Seal washers may be ordered as a kit-Part #S-10252K**

Micro Rain
Senior Sprinkler Assy.
January 1, 2005



**Micro Rain
Senior Sprinkler Assy.
January 1, 2005**

Ref.	Part #	Description	Qty.
1	S-3010185	Sprinkler Body-Senior	1
2	S-3010186	Drive Arm	1
3	S-30793	Brass Outer Base	1
4	S-20116	Brass Inner Base	1
6	S-20195	Bushing	1
7	S-3010188	Top Spring Cover	1
8	S-3010189	Drive Arm Tension Spring	1
10	S-3010274	Lower Bearing Assy. Spring	1
10a	S-30803	Spring Housing	1
11	S-30804	Seal Ring	1
11a	S-30805	Teflon Washer	1
12a	S-30805	Teflon Washer	1
13	S-30804	Seal Ring	1
14	S-30566	Nozzle	3
15	S-20180	Diffuser Arm	1
16	S-30359	Diffuser Screw	1
17	S-301010	Washer	1
18	S-30811	Adjustable Stop	2
19	S-3010190	Reverse Arm	1
19a	S-30992	Pin	1
20	S-3010191	Reverse Lever	1
20a	S-3010192	Pin	1
21	S-30997	Reverse Spring Housing	1
22	S-301016	Reverse Spring	1
24	S-3010193	Nylon Cap	1
25	S-30820	Adjustable Stop Screw	2
25a	S-30821	Spring	2
26	S-3010194	Bumper	1
27	S-30530	Screw	1
28	S-30280	Diffuser Nozzle	1
29	S-30339	Lower Diffuser Screw Holder	1
30	S-30371	Split Pin	1
31	S-30211	Nozzle Keeper	1
32	S-30567	O-Ring	1
33	S-20181	Barrel	1
34	S-3010195	End Bracket	1
35	S-30336	Lower Diffuser Screw	1
36	S-30337	Lower Diffuser Spring	1
37	S-30374	Diffuser Spring	1
38	S-3010196	Top Drive Arm Bracket	1
39	S-3010197	Bottom Drive Arm Bracket	1
40	S-30500	Screw	4
41	S-30511	Nut	4
43	S-3010182	Washer	2

* Seal washers may be ordered as a kit-Part #S-10307K

KID Group, Inc.
15250 Sunshine Rd.
Yukon, OK. 73099
800-373-9325